



US00D819642S

(12) **United States Design Patent** (10) **Patent No.:** **US D819,642 S**
Ehara et al. (45) **Date of Patent:** **** Jun. 5, 2018**

(54) **CONTROLLER FOR COMPUTER**
 (71) Applicant: **NINTENDO CO., LTD.**, Kyoto (JP)
 (72) Inventors: **Yui Ehara**, Kyoto (JP); **Yuko Zenri**,
 Kyoto (JP); **Junichiro Miyatake**, Kyoto
 (JP); **Tetsuya Akama**, Kyoto (JP);
Hitoshi Tsuchiya, Kyoto (JP)
 (73) Assignee: **Nintendo Co., Ltd.**, Kyoto (JP)

(**) Term: **15 Years**

(21) Appl. No.: **29/595,220**

(22) Filed: **Feb. 27, 2017**

(30) **Foreign Application Priority Data**

Aug. 30, 2016	(JP)	2016-018391
Aug. 30, 2016	(JP)	2016-018392
Aug. 30, 2016	(JP)	2016-018393
Aug. 30, 2016	(JP)	2016-018394
Aug. 30, 2016	(JP)	2016-018395
Aug. 30, 2016	(JP)	2016-018396
Aug. 30, 2016	(JP)	2016-018397
Aug. 30, 2016	(JP)	2016-018398
Aug. 30, 2016	(JP)	2016-018399
Aug. 30, 2016	(JP)	2016-018400
Aug. 31, 2016	(JP)	2016-018644
Oct. 19, 2016	(JP)	2016-022699

(51) **LOC (11) Cl.** **14-02**

(52) **U.S. Cl.**
 USPC **D14/401**; D21/333; D21/496

(58) **Field of Classification Search**
 USPC D21/324, 328, 333, 385, 477, 566;
 D14/399-402, 412, 414, 416, 432;
 273/148 B, 449, 441, 442; 463/1, 29-35,
 463/46, 47; 345/156, 161; 434/45, 46
 CPC . A63F 13/00; A63F 13/02; A63F 9/00; G09G
 9/00

See application file for complete search history.

(56) **References Cited**

U.S. PATENT DOCUMENTS

D360,235 S *	7/1995	Emrys-Roberts	D14/401
5,643,087 A *	7/1997	Marcus	A63F 13/06 273/148 B
5,645,277 A *	7/1997	Cheng	A63F 13/06 273/148 B

(Continued)

OTHER PUBLICATIONS

U.S. Appl. No. 29/636,375, filed Feb. 8, 2018, Ehara et al.
 U.S. Appl. No. 29/641,433, filed Mar. 22, 2018, Ehara et al.

Primary Examiner — Prabhakar G Deshmukh

(74) *Attorney, Agent, or Firm* — Nixon & Vanderhye PC

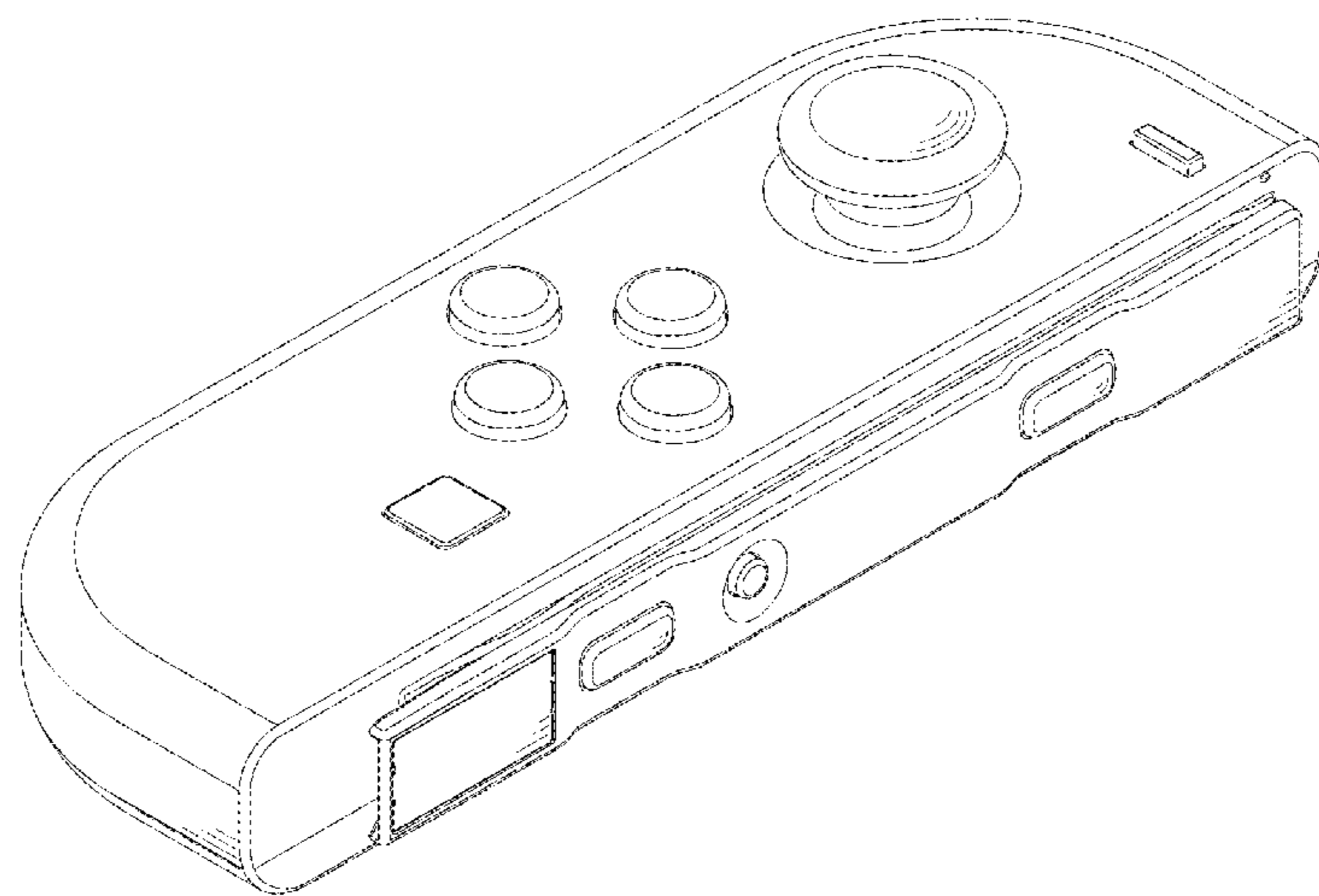
(57) **CLAIM**

The ornamental design for a controller for computer, as shown and described.

DESCRIPTION

FIG. 1 is a front side perspective view of a first embodiment of a controller for computer showing our new design;
 FIG. 2 is a back side perspective view thereof;
 FIG. 3 is a front view thereof;
 FIG. 4 is a back view thereof;
 FIG. 5 is a top view thereof;
 FIG. 6 is a bottom view thereof;
 FIG. 7 is a right view thereof;
 FIG. 8 is a left view thereof;
 FIG. 9 is a front view of a second embodiment of a controller for computer showing our new design;
 FIG. 10 is a back view thereof;
 FIG. 11 is a top view thereof;
 FIG. 12 is a bottom view thereof;
 FIG. 13 is a right view thereof; and,
 FIG. 14 is a left view thereof.

1 Claim, 14 Drawing Sheets



(56)

References Cited

U.S. PATENT DOCUMENTS

5,769,719 A * 6/1998 Hsu G06F 3/0238
273/148 B
5,785,317 A * 7/1998 Sasaki A63F 13/06
273/148 B
D568,883 S * 5/2008 Ashida D14/400
D697,140 S * 1/2014 Baum D14/401
D702,771 S * 4/2014 Mar D14/401
D719,614 S * 12/2014 Baum D14/401
D740,369 S * 10/2015 Cho D21/333
D768,785 S * 10/2016 Kim D21/333
D769,374 S * 10/2016 Won D21/333
D783,722 S * 4/2017 Peng D14/400

* cited by examiner

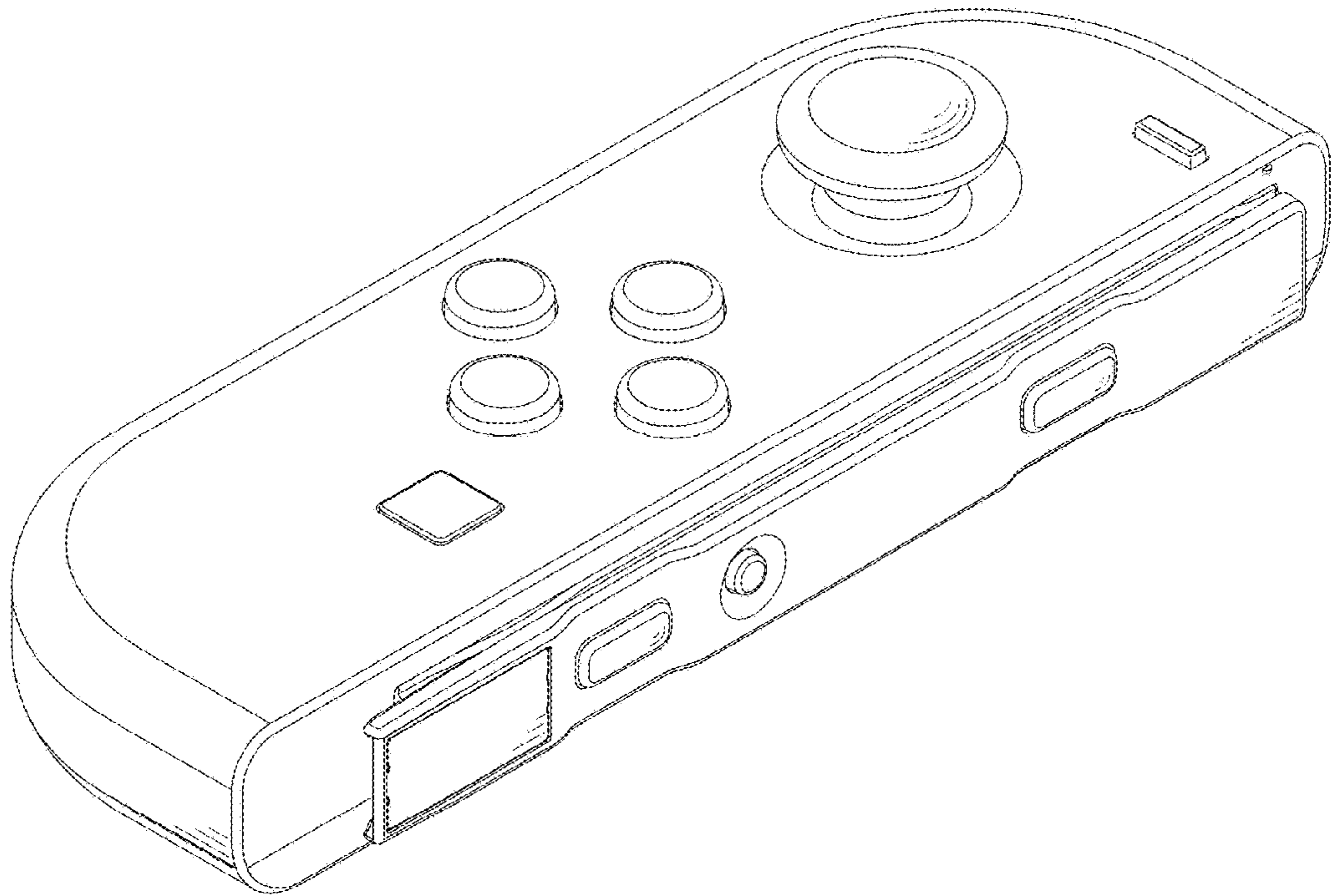


FIG. 1

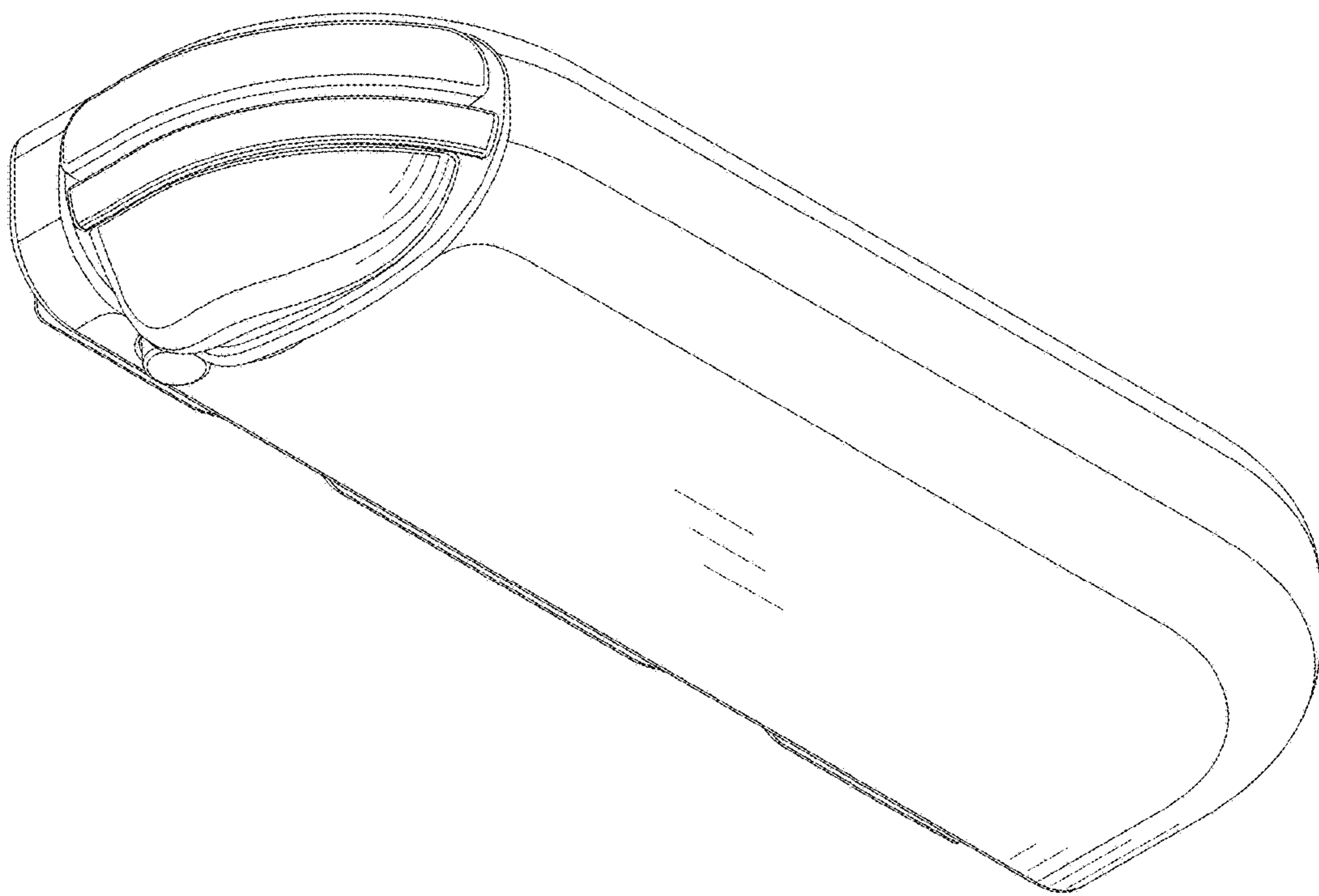


FIG. 2

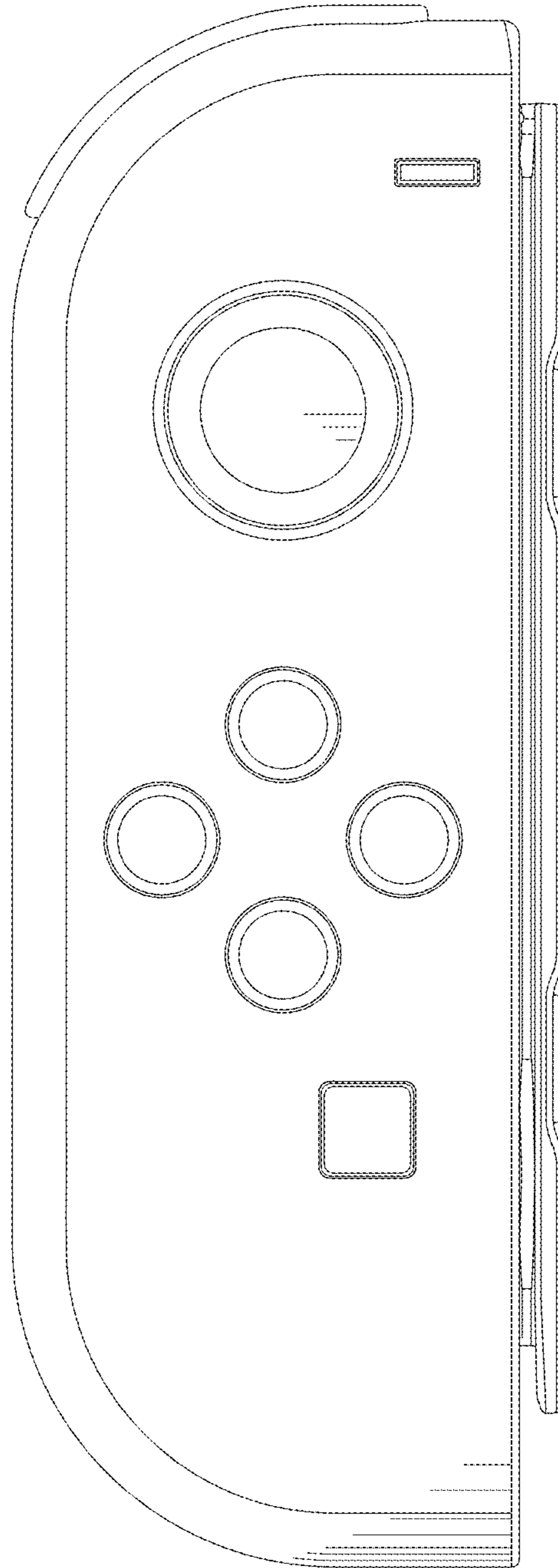


FIG. 3

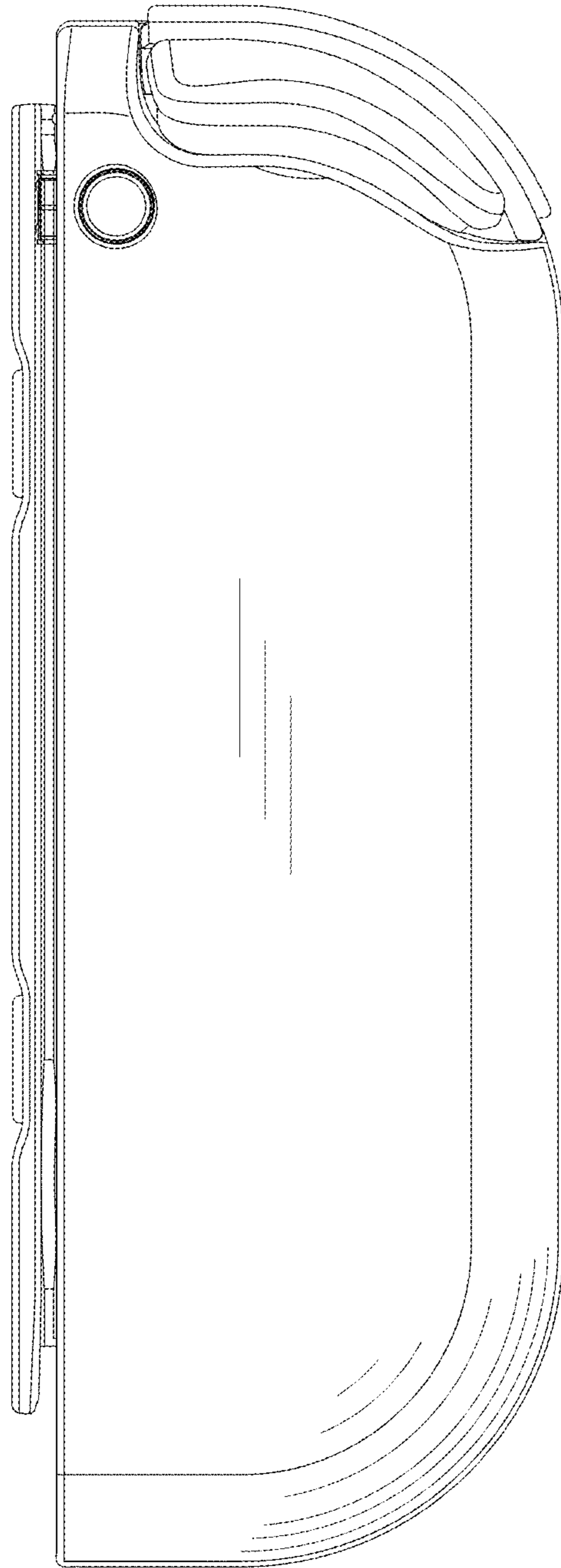


FIG. 4

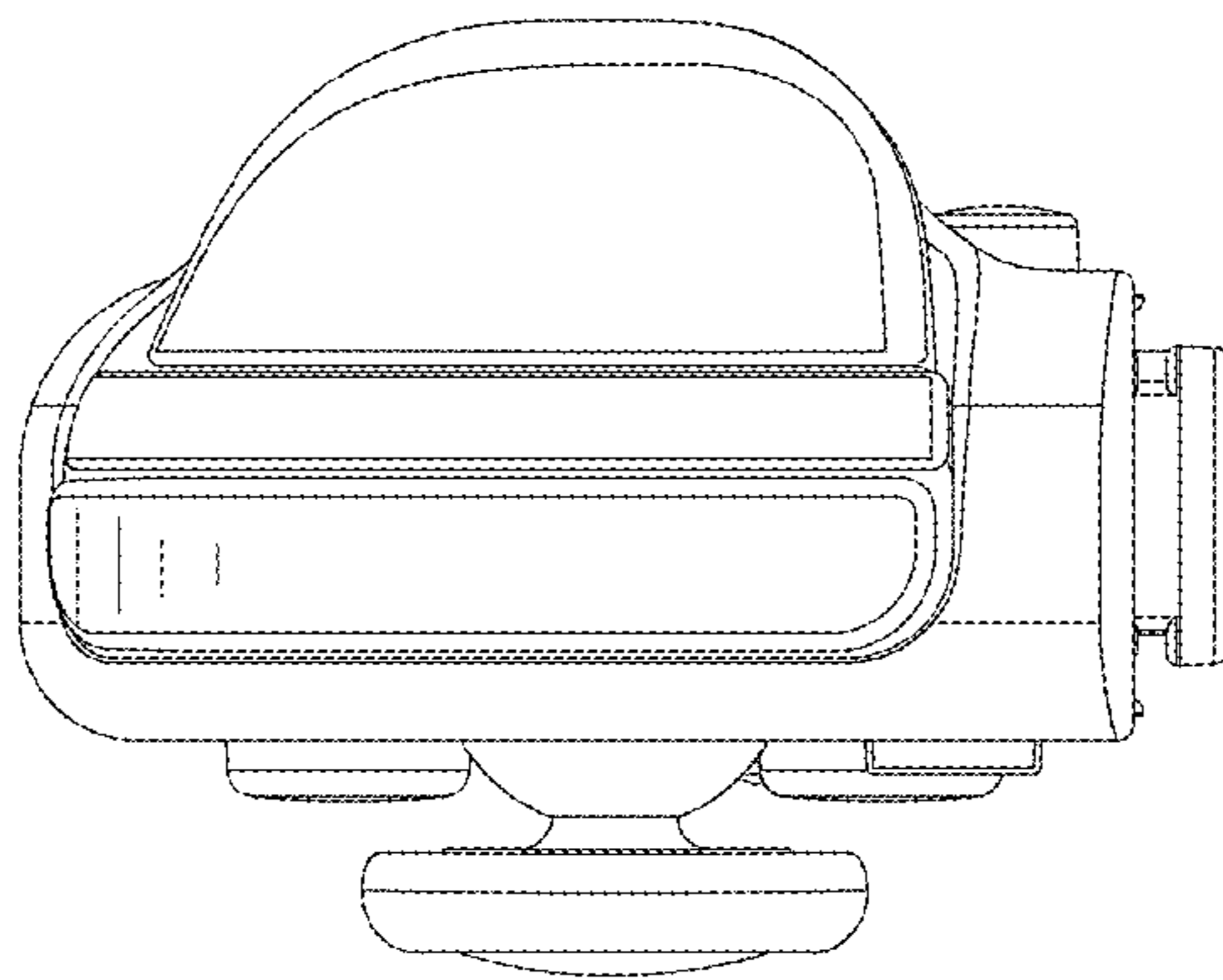


FIG. 5

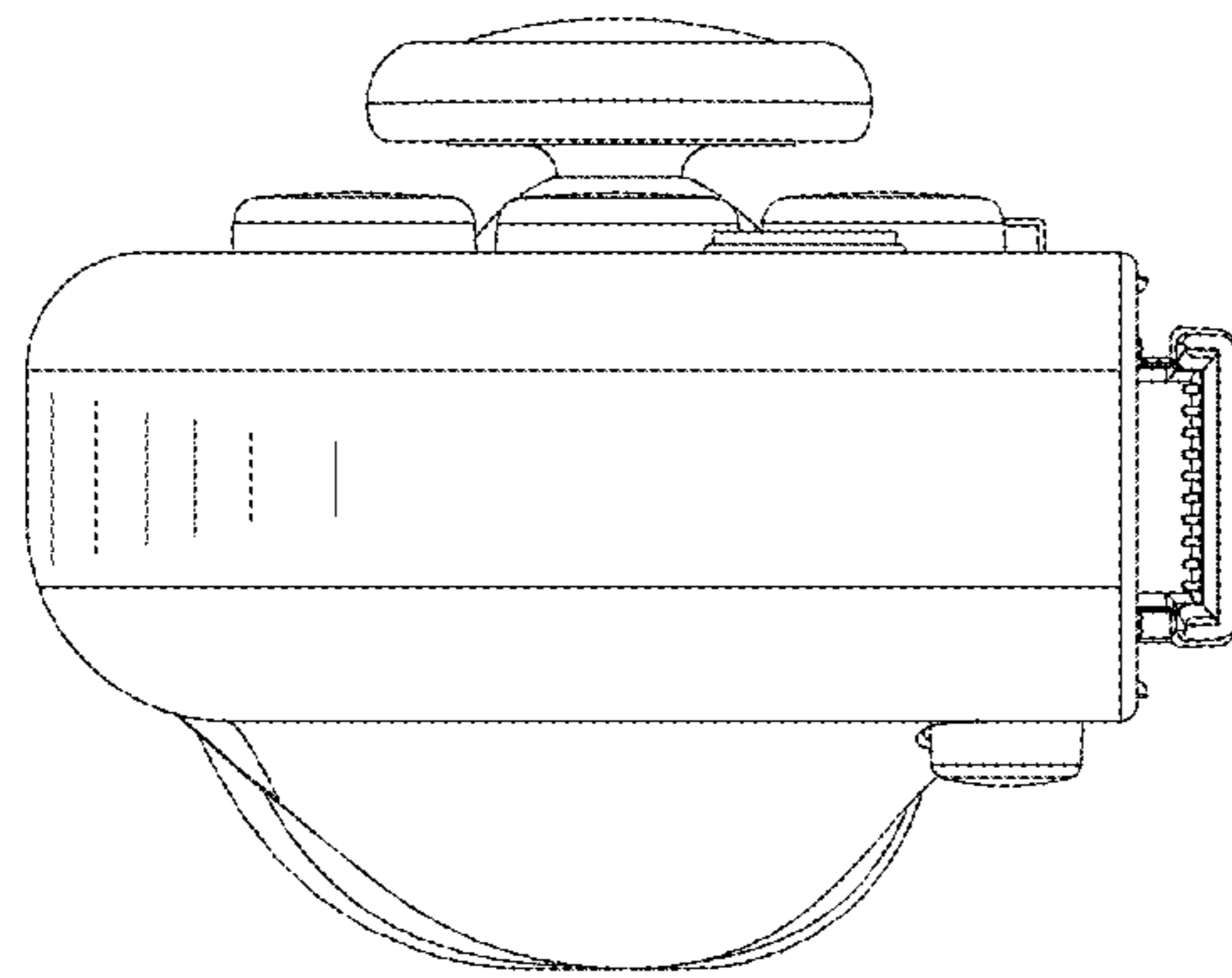


FIG. 6

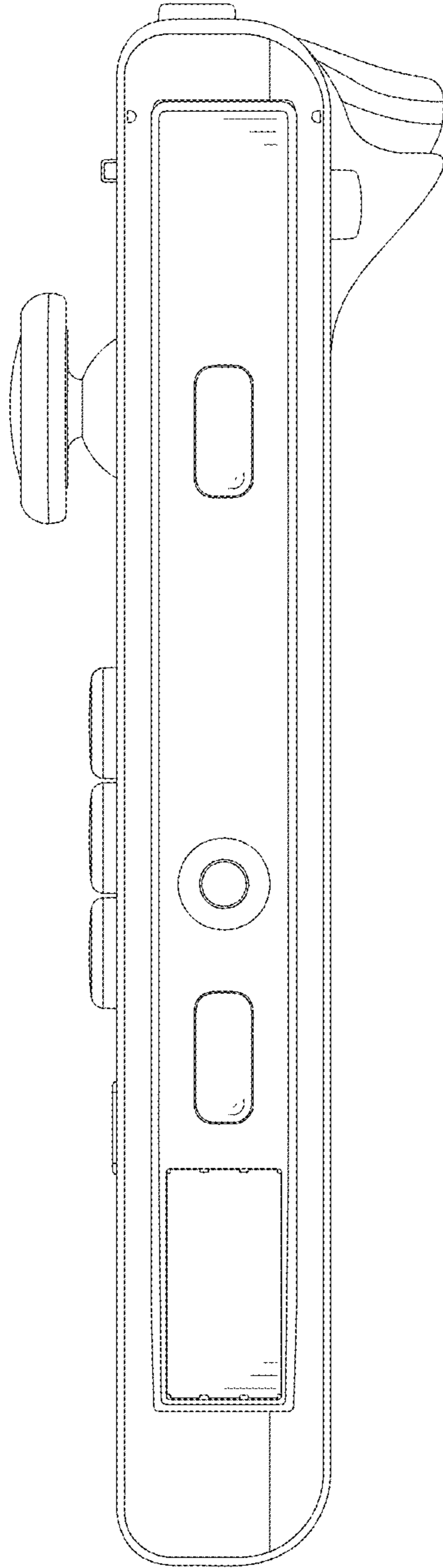


FIG. 7

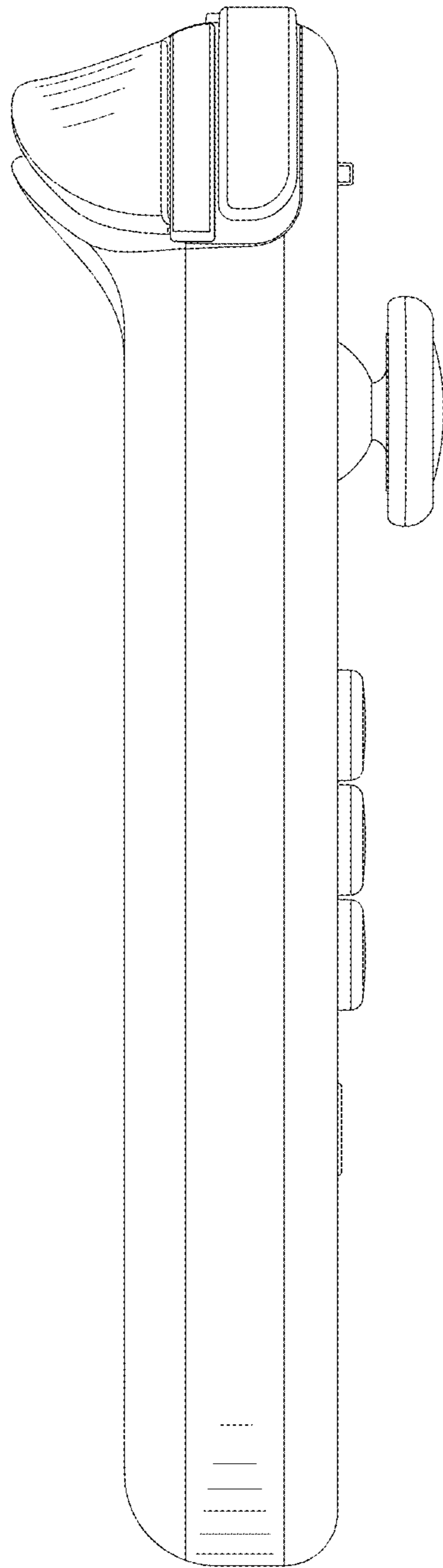


FIG. 8

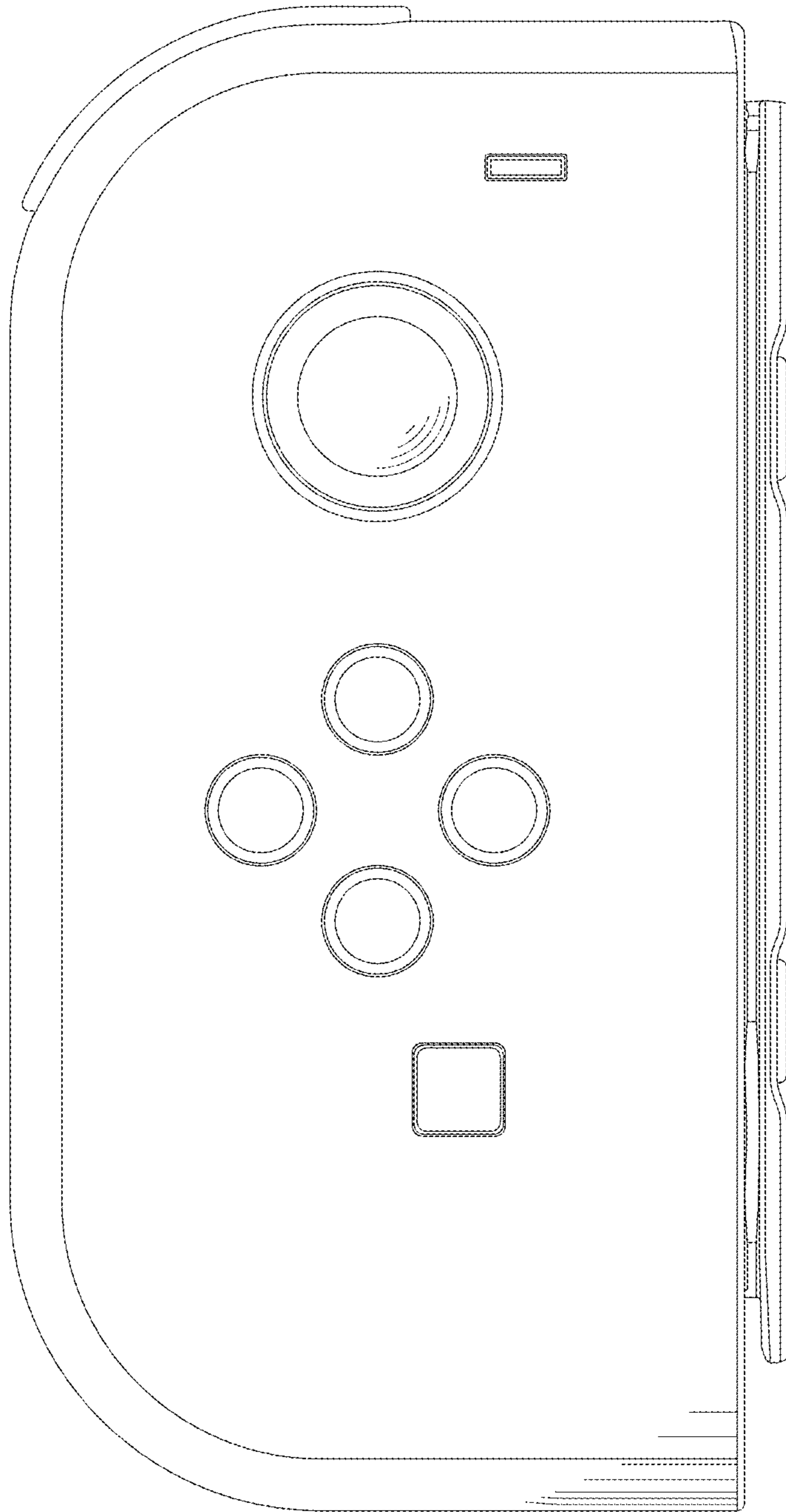


FIG. 9

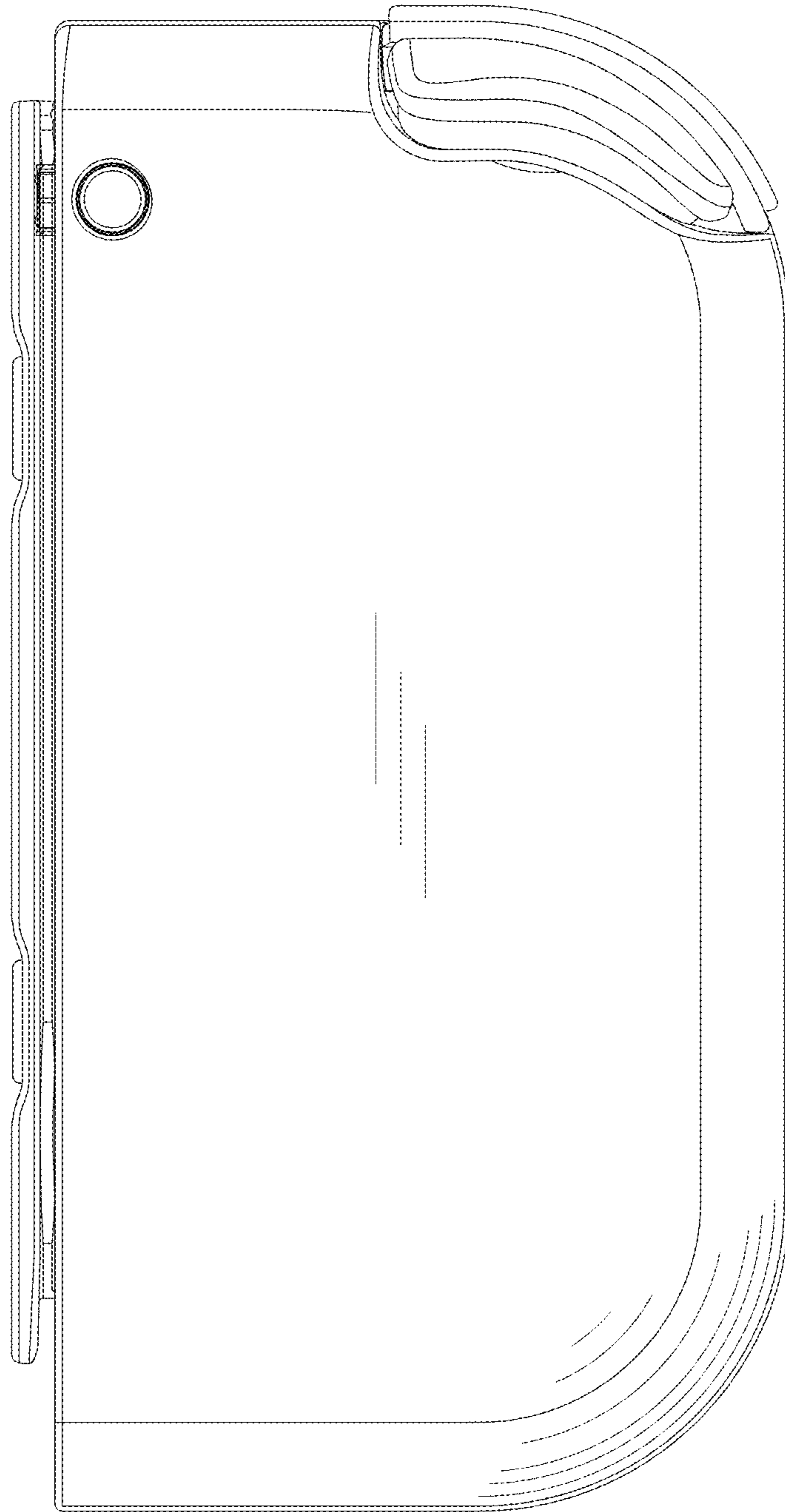


FIG. 10

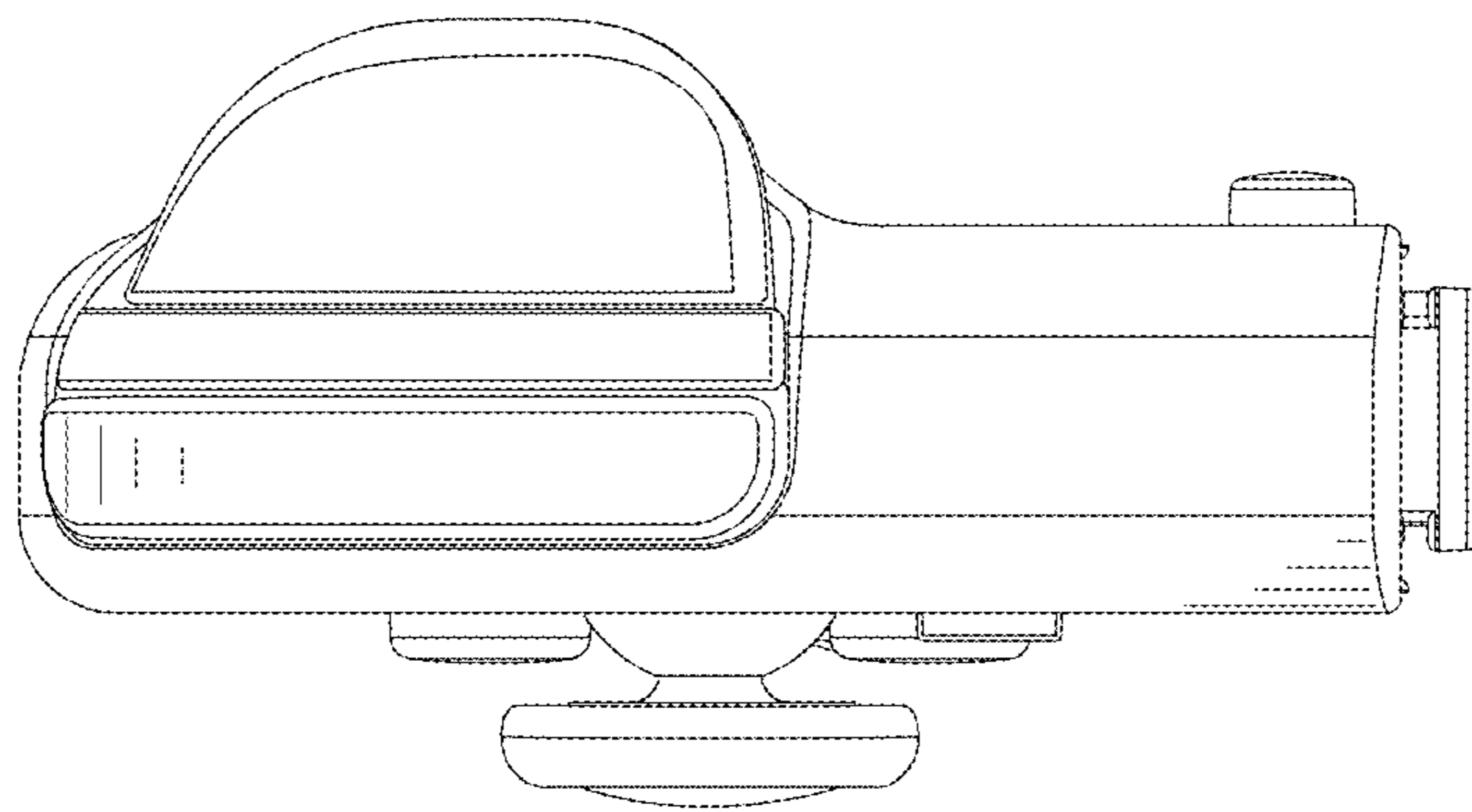


FIG. 11

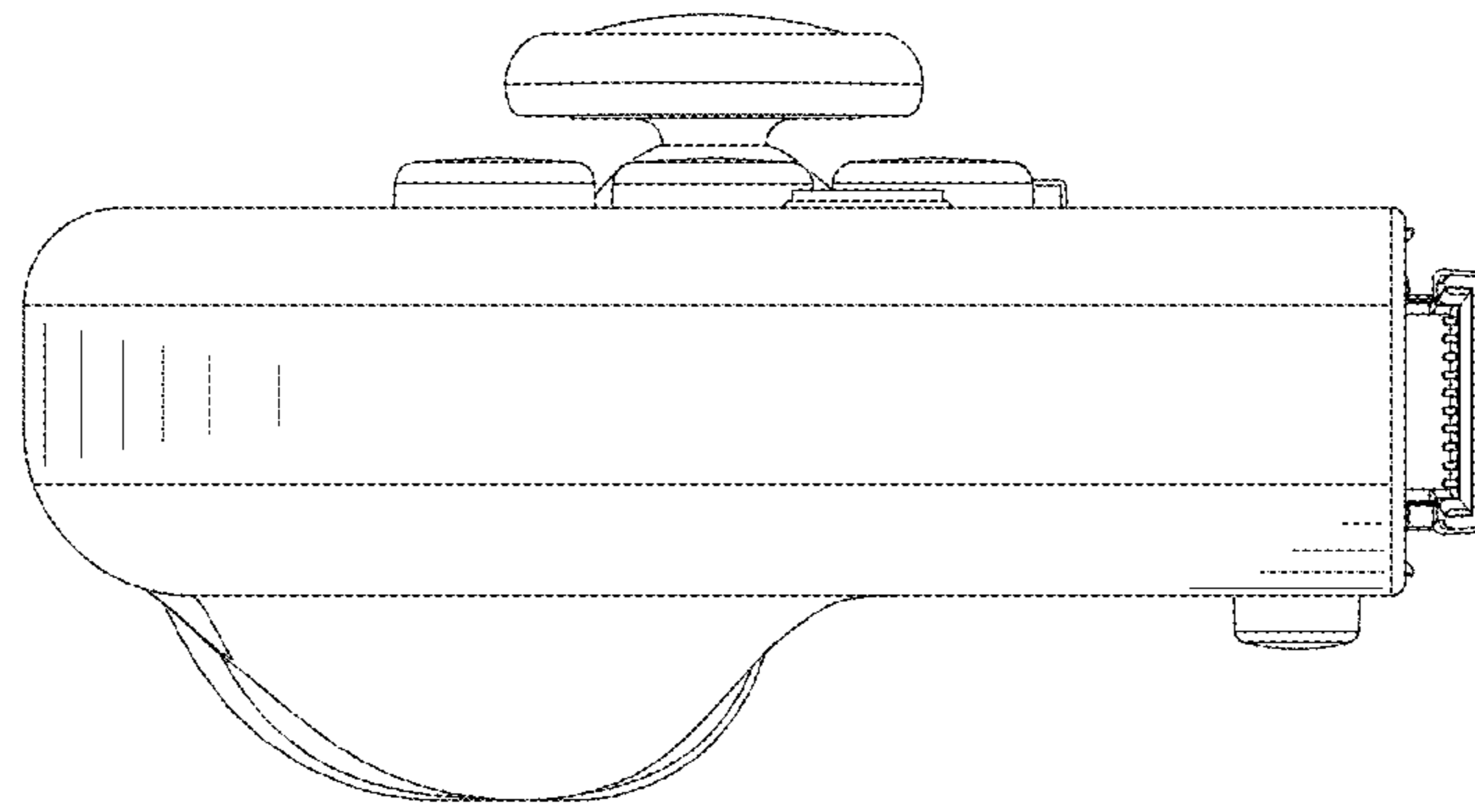


FIG. 12

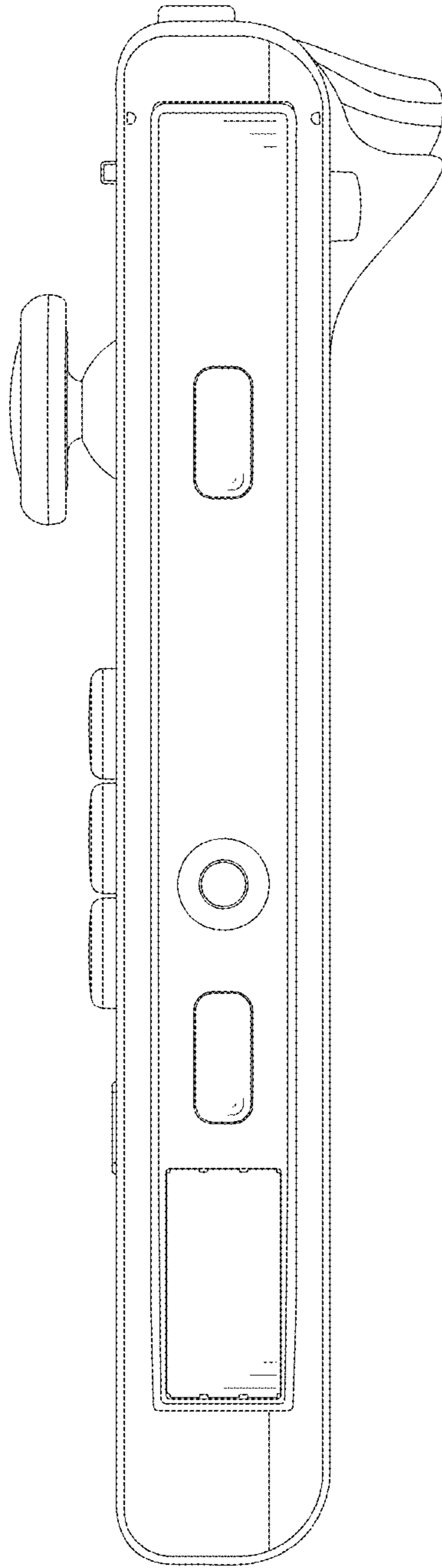


FIG. 13

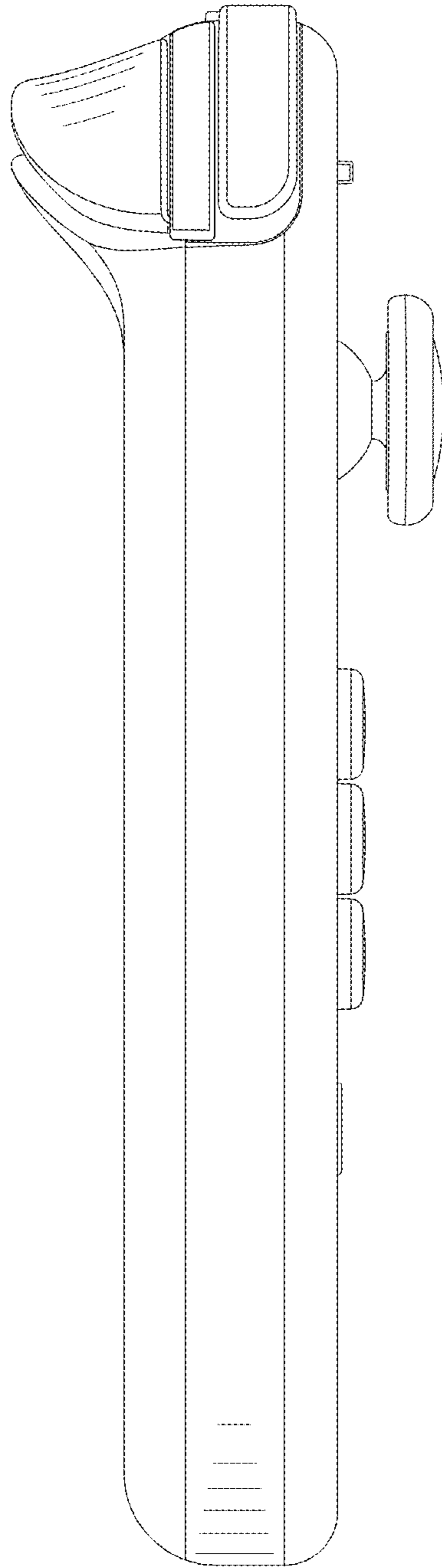


FIG. 14