



US00D819641S

(12) **United States Design Patent**  
**Tsuchiya et al.**

(10) **Patent No.:** **US D819,641 S**  
(45) **Date of Patent:** **\*\* Jun. 5, 2018**

(54) **CONTROLLER FOR COMPUTER**

(56) **References Cited**

(71) Applicant: **NINTENDO CO., LTD.**, Kyoto (JP)

U.S. PATENT DOCUMENTS

(72) Inventors: **Hitoshi Tsuchiya**, Kyoto (JP);  
**Fumiyoshi Suetake**, Kyoto (JP); **Yui Ehara**, Kyoto (JP); **Yuko Zenri**, Kyoto (JP); **Junichiro Miyatake**, Kyoto (JP); **Tetsuya Akama**, Kyoto (JP)

5,551,693	A *	9/1996	Goto	.....	A63F 13/06
					345/169
5,923,317	A *	7/1999	Sayler	.....	A63F 13/06
					345/156
7,235,017	B2 *	6/2007	Clemm	.....	F16D 3/223
					464/144
7,767,553	B2 *	8/2010	Tanaka	.....	H01L 51/0022
					438/15
D700,182	S *	2/2014	Kidakarn	.....	D14/401
D708,615	S *	7/2014	Delrue	.....	D14/401
D709,882	S *	7/2014	Morris	.....	D14/401
D767,682	S *	9/2016	Bellinghausen	.....	D14/401
D777,843	S *	1/2017	Kujawski	.....	D14/401
D799,599	S *	10/2017	Kujawski	.....	D21/333
D806,078	S *	12/2017	Goldman	.....	D14/401

(73) Assignee: **Nintendo Co., Ltd.**, Kyoto (JP)

(\*\*) Term: **15 Years**

(21) Appl. No.: **29/595,214**

(22) Filed: **Feb. 27, 2017**

\* cited by examiner

(30) **Foreign Application Priority Data**

Aug. 30, 2016	(JP)	.....	2016-018401
Aug. 30, 2016	(JP)	.....	2016-018402
Aug. 30, 2016	(JP)	.....	2016-018403
Aug. 30, 2016	(JP)	.....	2016-018404
Aug. 30, 2016	(JP)	.....	2016-018405
Aug. 30, 2016	(JP)	.....	2016-018406
Aug. 30, 2016	(JP)	.....	2016-018407

*Primary Examiner* — Prabhakar G Deshmukh

(74) *Attorney, Agent, or Firm* — Nixon & Vanderhye PC

(51) **LOC (11) Cl.** ..... **14-02**

(52) **U.S. Cl.**  
USPC ..... **D14/401**; D21/333

(57) **CLAIM**

The ornamental design for a controller for computer, as shown and described.

(58) **Field of Classification Search**

USPC ..... D14/399-418; 345/156, 169, 173-179, 345/905; D21/324, 328, 333; 273/148 B; 463/1, 29-25, 46, 47  
CPC .. A63F 13/00; A63F 13/02; A63F 9/24; A63F 13/12; A63F 71/00; G06F 3/02; G06F 3/033; G06F 5/00

**DESCRIPTION**

FIG. 1 is a front side perspective view of a controller for computer showing our new design;  
FIG. 2 is a back side perspective view thereof;  
FIG. 3 is a front view thereof;  
FIG. 4 is a back view thereof;  
FIG. 5 is a top view thereof;  
FIG. 6 is a bottom view thereof;  
FIG. 7 is a right view thereof; and,  
FIG. 8 is a left view thereof.

See application file for complete search history.

**1 Claim, 8 Drawing Sheets**

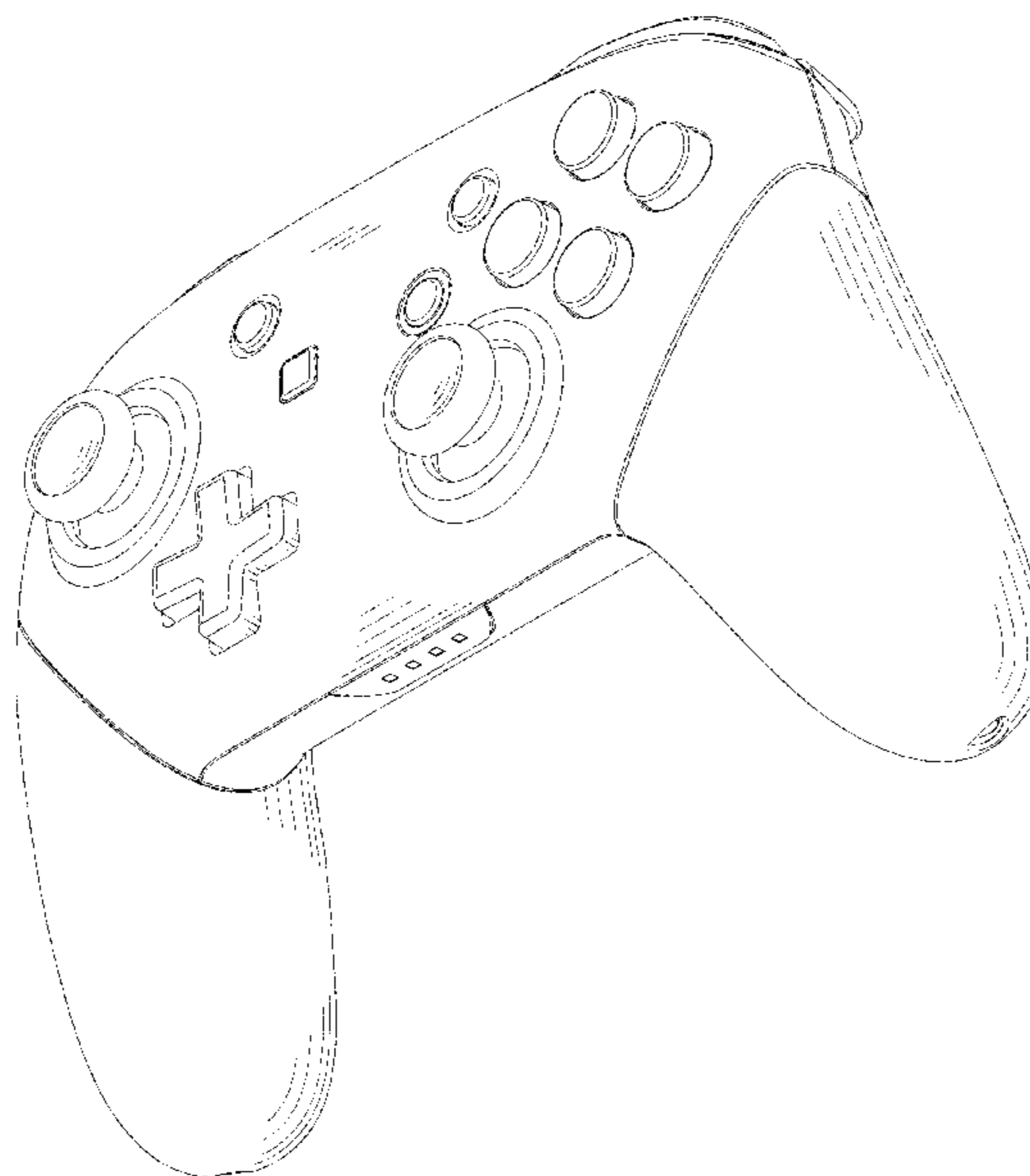


Fig.1

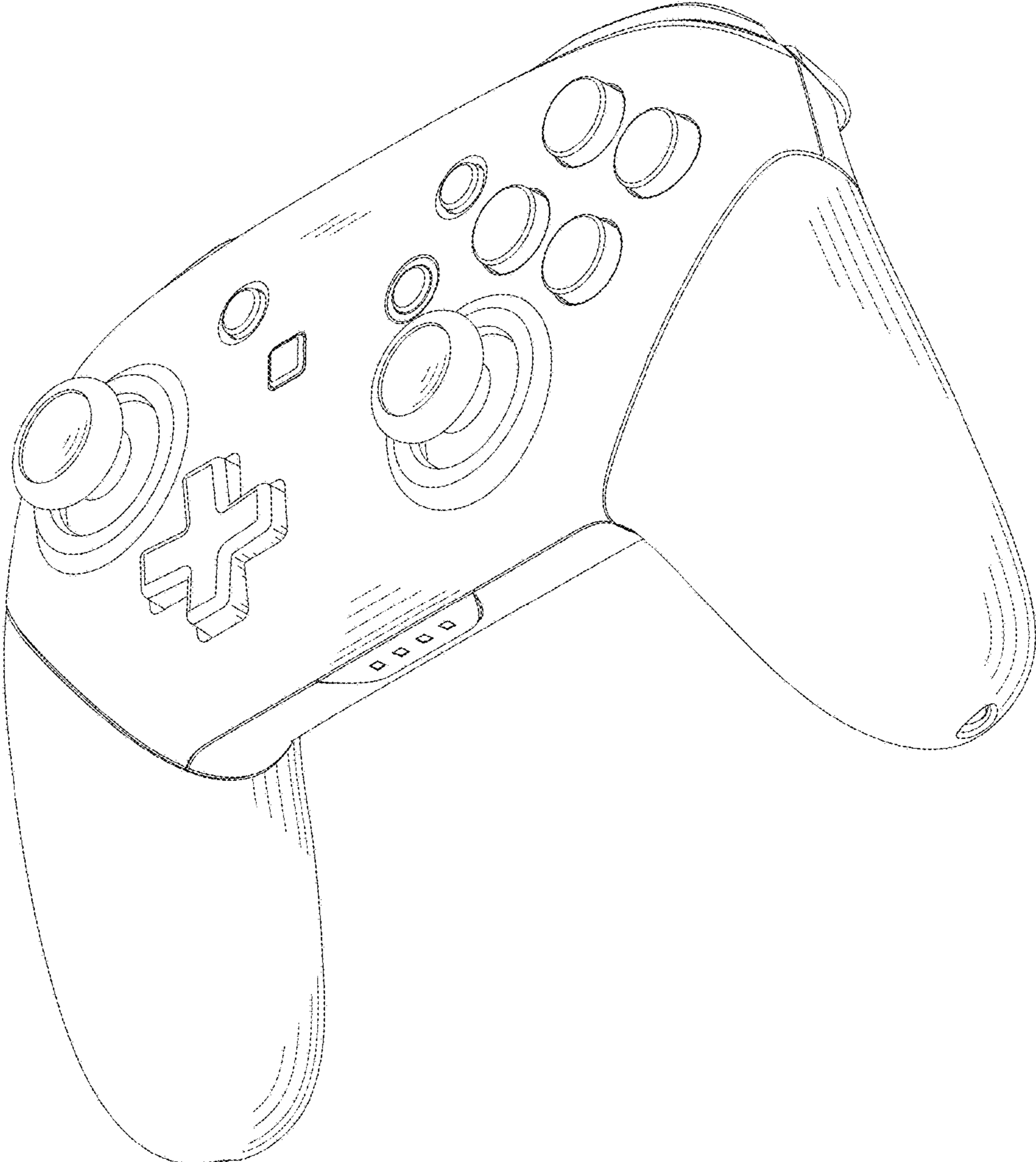


Fig. 2

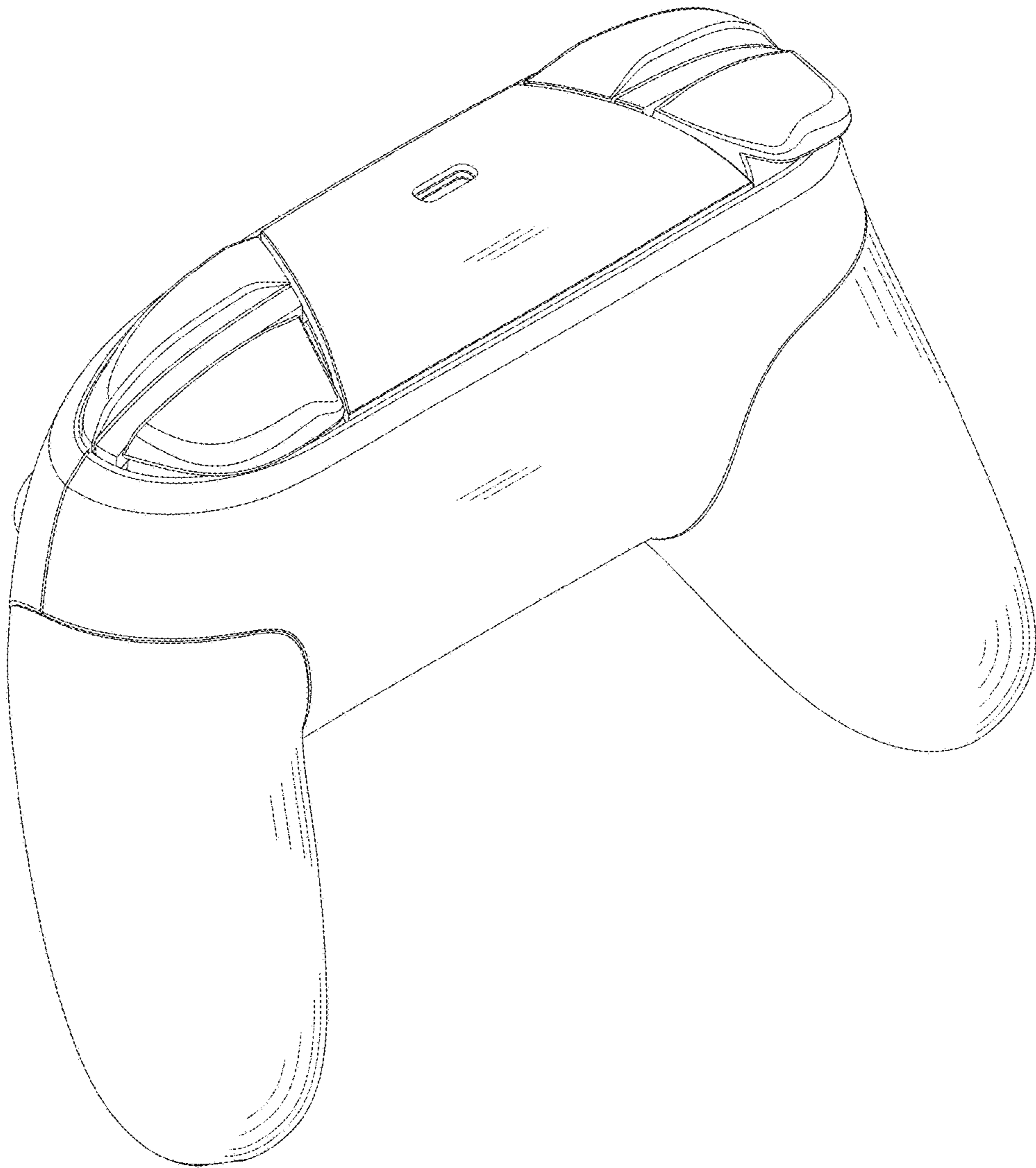


Fig.3

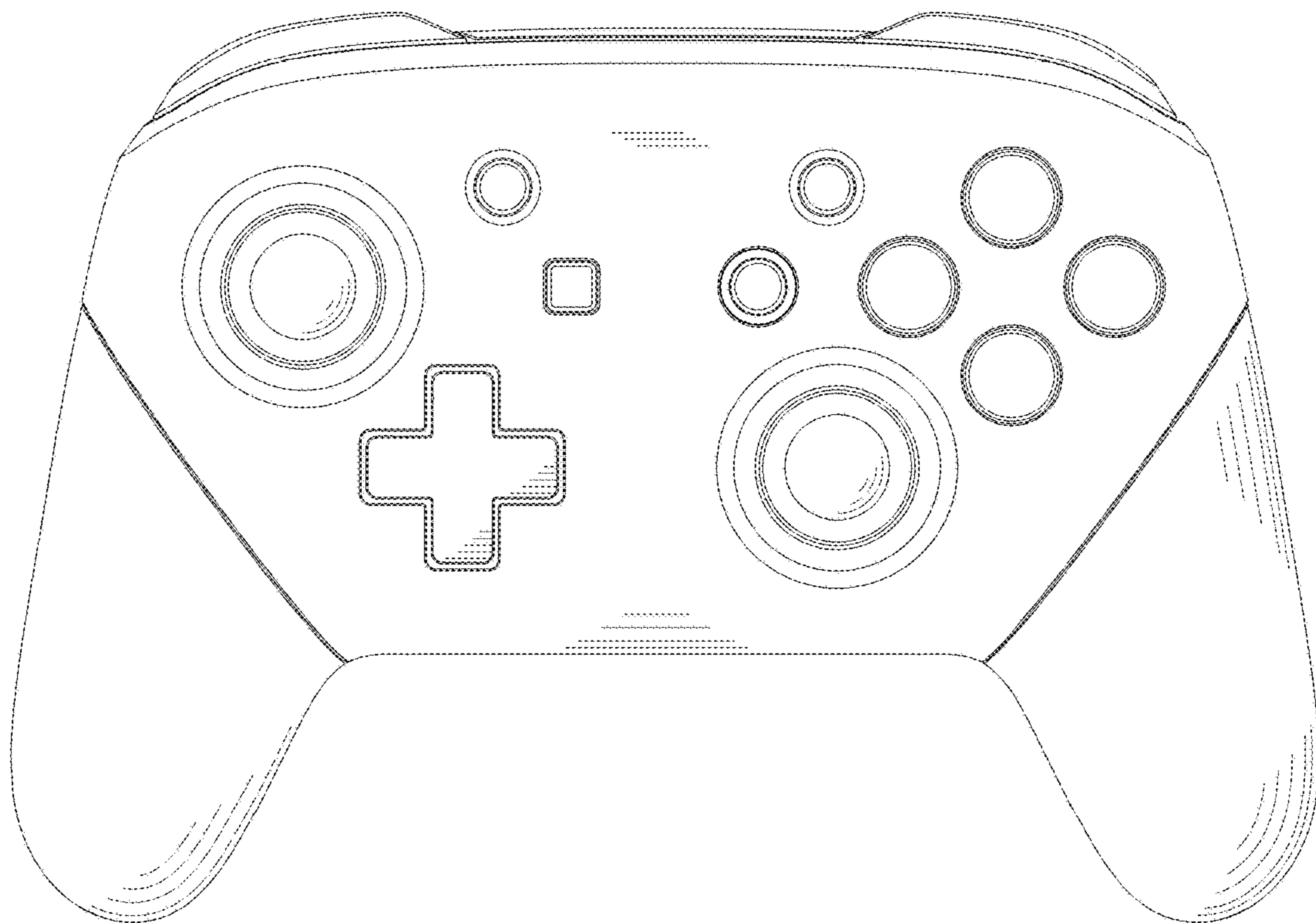


Fig. 4

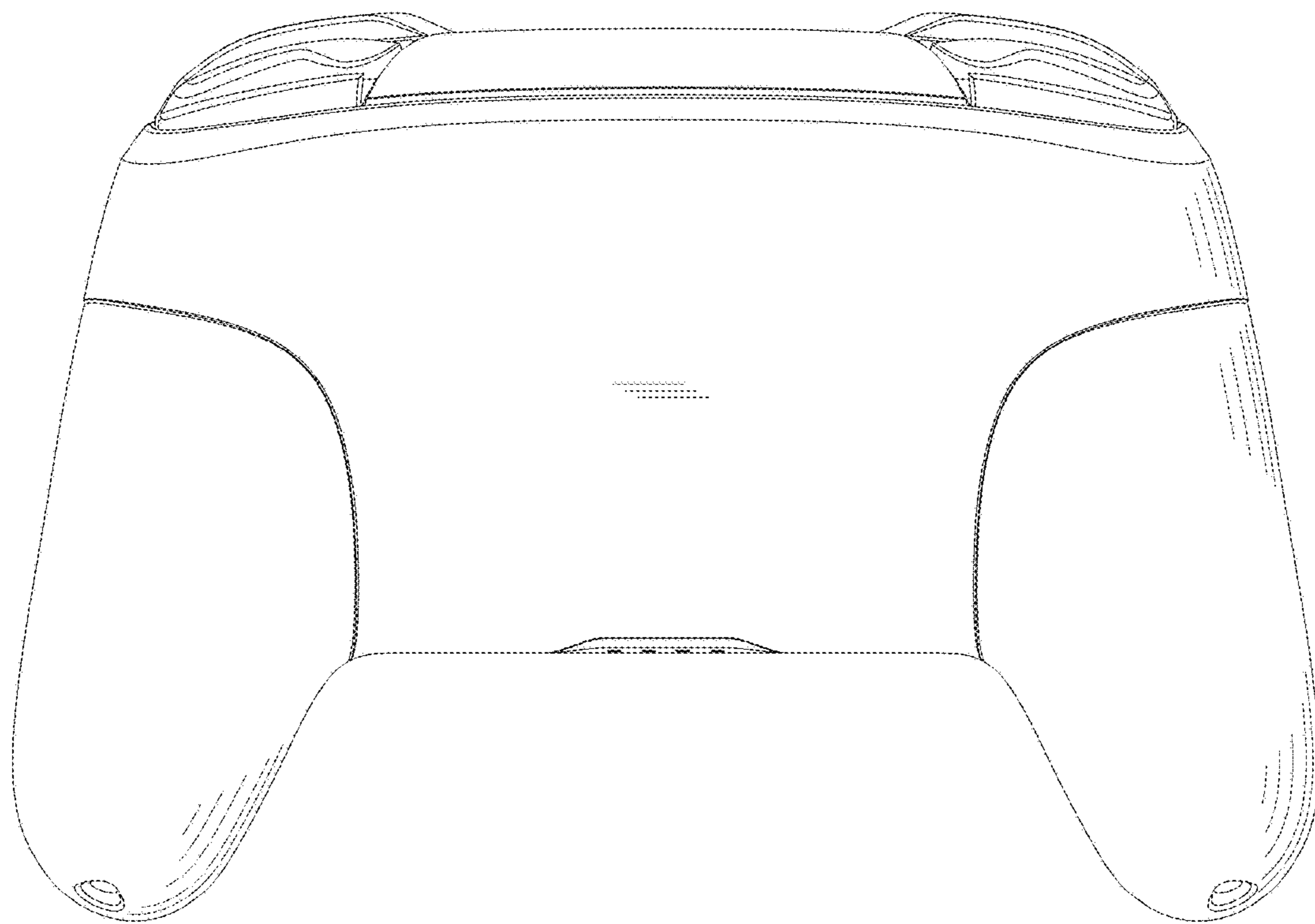


Fig. 5

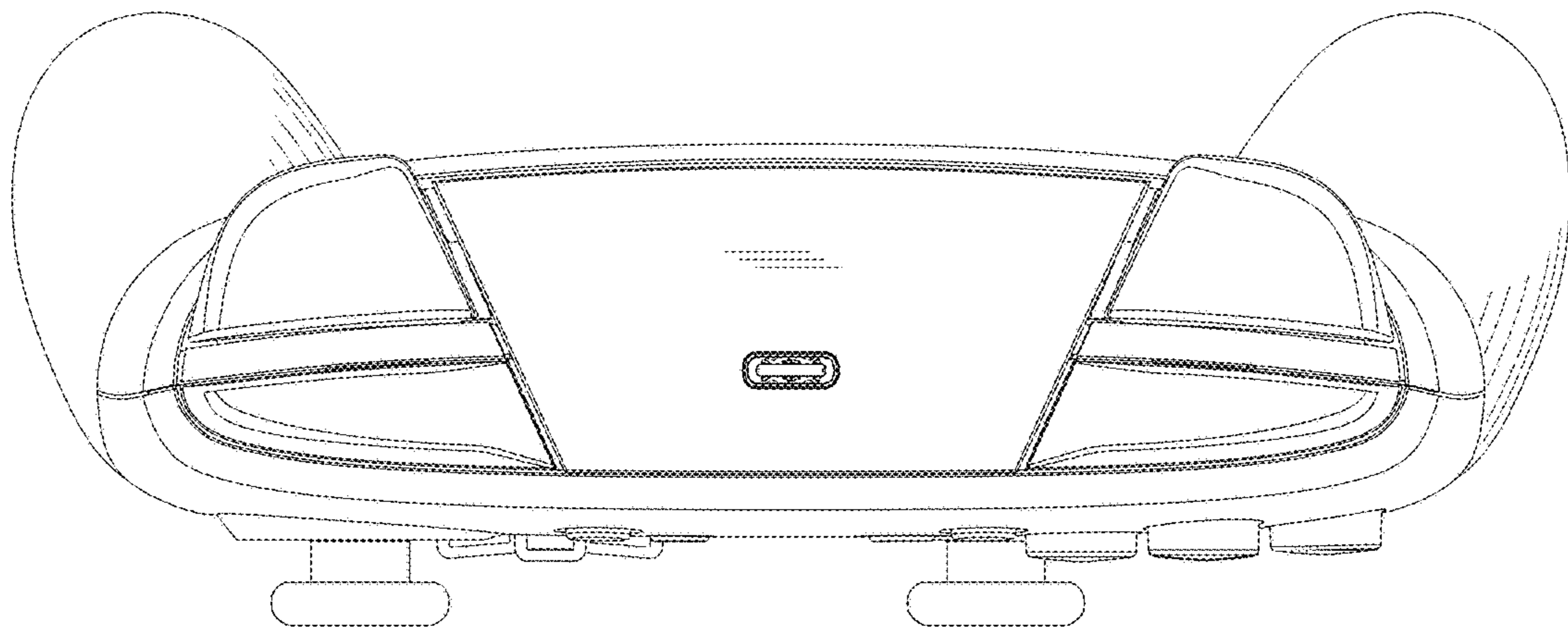


Fig.6

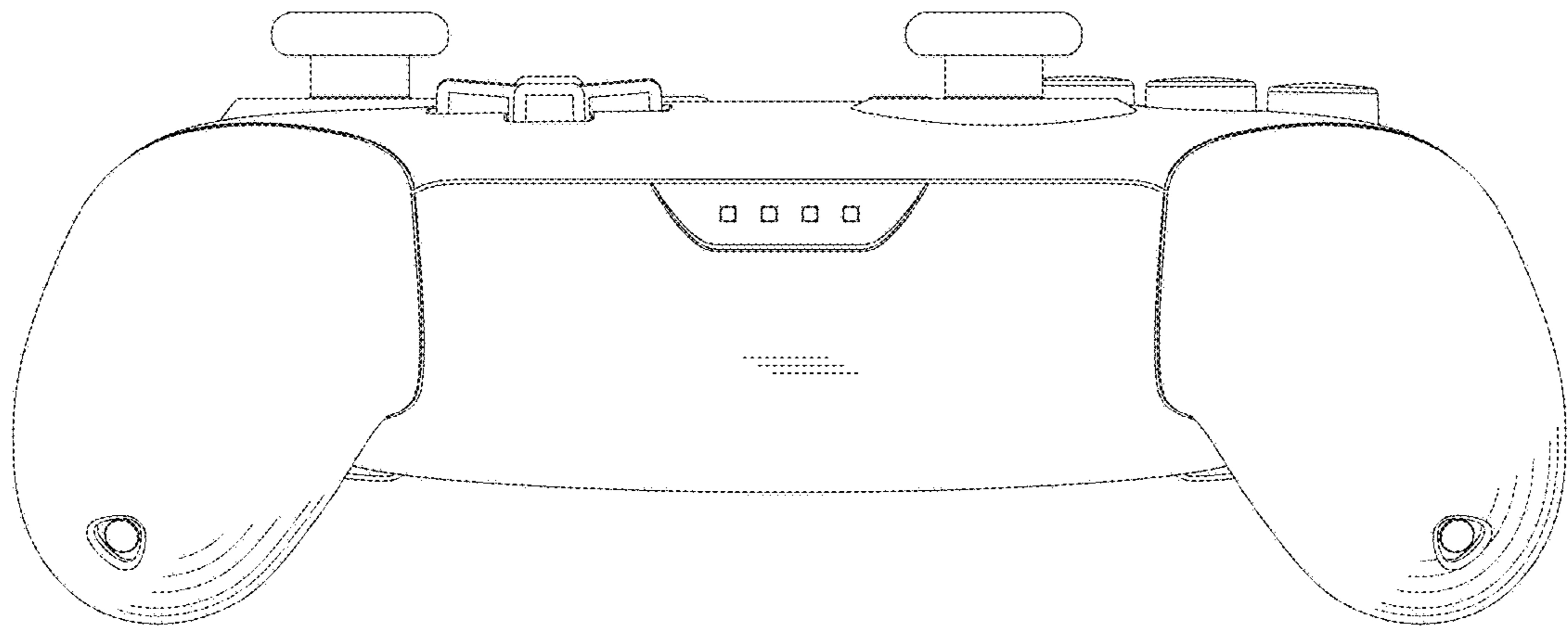


Fig. 7

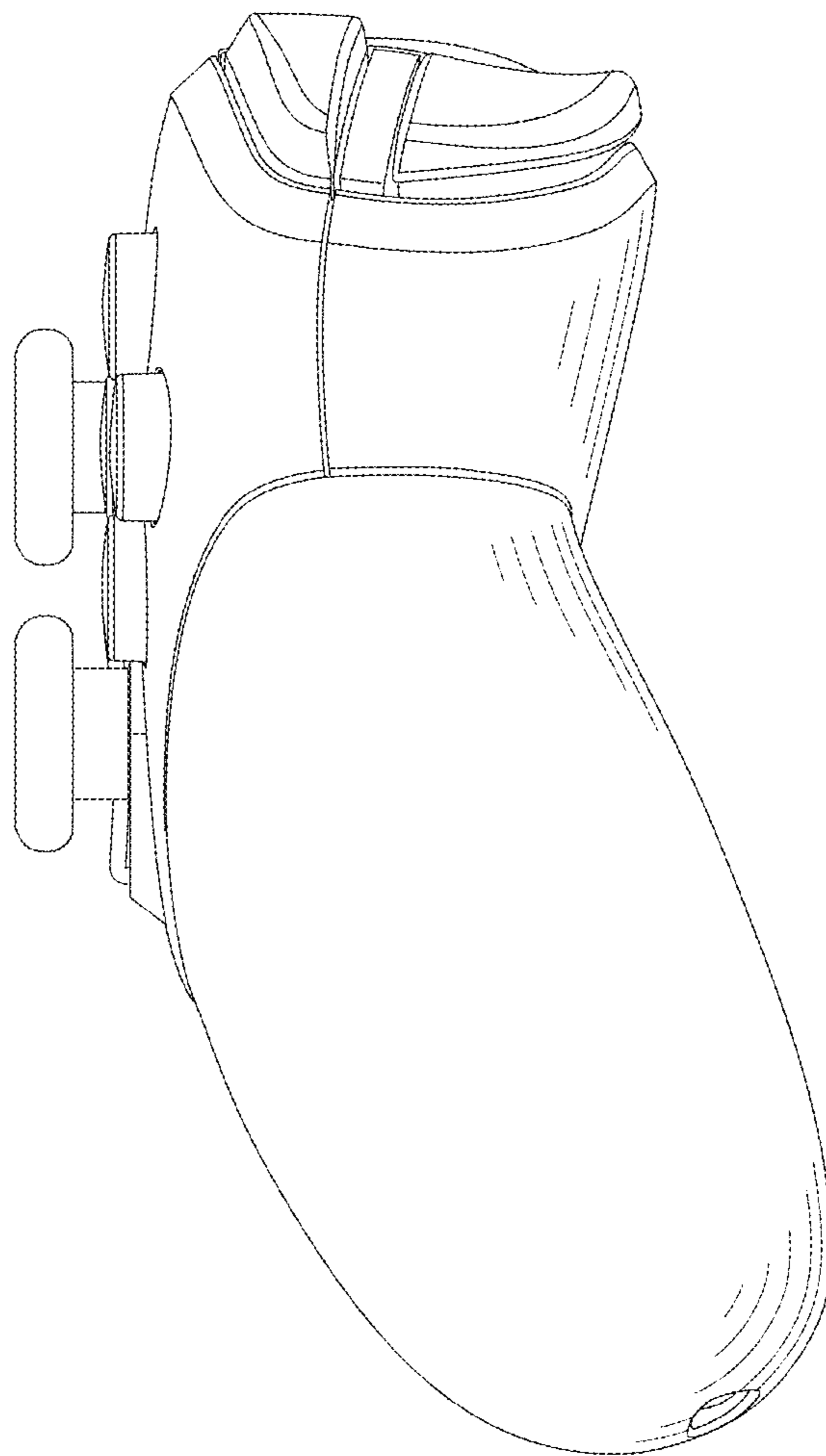




Fig. 8

