

US00D819636S

(12) **United States Design Patent**  
**Chen et al.**

(10) **Patent No.:** **US D819,636 S**  
(45) **Date of Patent:** **\*\* Jun. 5, 2018**

- (54) **VIRTUAL REALITY HEADSET**
- (71) Applicant: **SZ DJI Technology Co., Ltd.**,  
Shenzhen (CN)
- (72) Inventors: **Hao Chen**, Shenzhen (CN); **Dengfeng Hu**, Shenzhen (CN)
- (73) Assignee: **SZ DJI Technology Co., Ltd.**,  
Shenzhen (CN)
- (\*\*) Term: **15 Years**
- (21) Appl. No.: **29/616,032**
- (22) Filed: **Sep. 1, 2017**

- D753,112 S 4/2016 Fei et al.
- D759,654 S 6/2016 Sullivan et al.
- D764,466 S 8/2016 Kim et al.
- D771,625 S 11/2016 Sullivan et al.
- D776,110 S \* 1/2017 Gribetz ..... D14/372
- D780,751 S \* 3/2017 Park ..... D14/372
- D781,289 S \* 3/2017 Patel ..... D14/372
- D781,290 S 3/2017 Kim et al.
- D785,619 S 5/2017 Su
- D791,129 S \* 7/2017 Sullivan ..... D14/372
- D796,507 S \* 9/2017 Chen ..... D14/372
- D798,298 S \* 9/2017 Haber ..... D14/372
- D800,115 S \* 10/2017 Li ..... D14/372
- D800,726 S \* 10/2017 Su ..... D14/372
- D805,074 S \* 12/2017 Hu ..... D14/372
- D806,075 S \* 12/2017 Chen ..... D14/372
- D806,710 S \* 1/2018 Chen ..... D14/372
- D807,354 S \* 1/2018 Yee ..... D14/372
- D807,356 S \* 1/2018 Chou ..... D14/372

(Continued)

**Related U.S. Application Data**

- (63) Continuation of application No. 29/578,953, filed on Sep. 26, 2016, now Pat. No. Des. 796,507.
- (51) **LOC (11) Cl.** ..... **14-02**
- (52) **U.S. Cl.**  
USPC ..... **D14/372**
- (58) **Field of Classification Search**  
USPC ..... D14/372, 496, 432, 371, 125, 126, 129,  
D14/299; D16/300-342; 351/158, 153,  
351/144; 345/7-9, 905; 455/344;  
348/115, 53, 121, 739  
CPC ..... G02B 27/017; G02B 27/0158; G02B  
27/0161; G02B 27/0181; G02B 27/0185;  
G02B 27/0189  
See application file for complete search history.

*Primary Examiner* — Austin Murphy

(74) *Attorney, Agent, or Firm* — Sterne, Kessler,  
Goldstein & Fox P.L.L.C.

(57) **CLAIM**

The ornamental design for a virtual reality headset, as shown and described.

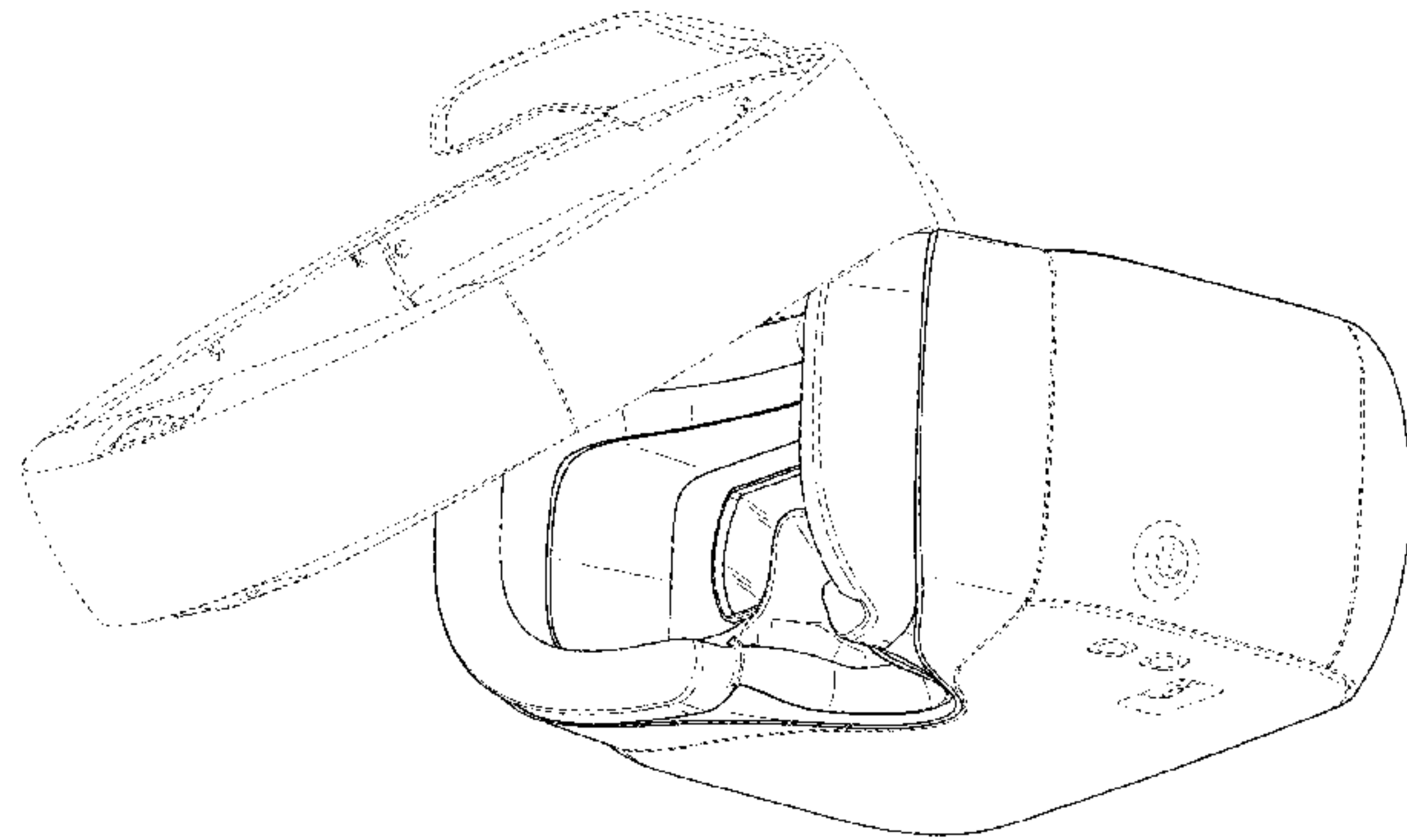
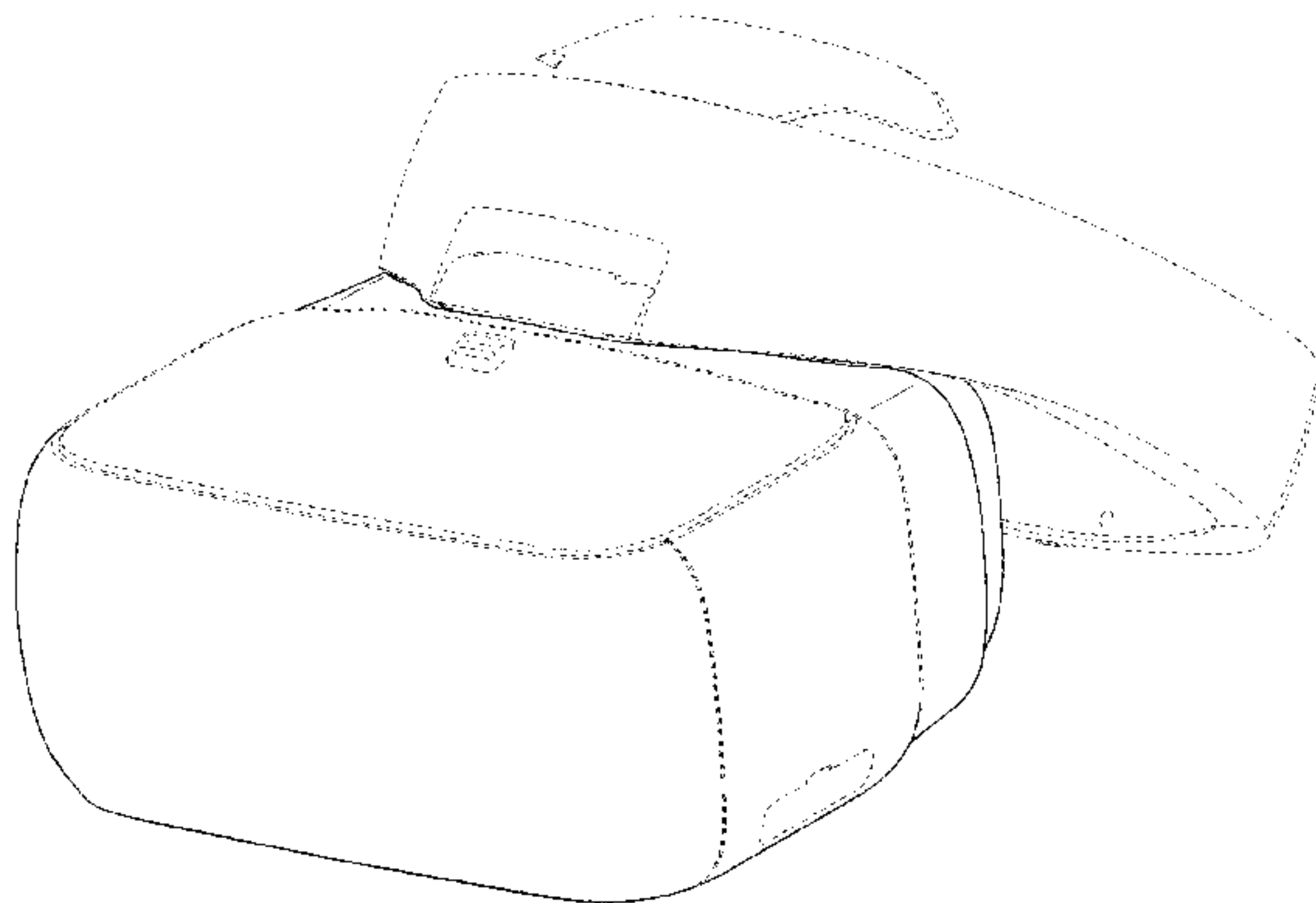
**DESCRIPTION**

FIG. 1 is a top front perspective view of a virtual reality headset showing the claimed design;  
 FIG. 2 is a bottom rear perspective view thereof;  
 FIG. 3 is a front view thereof;  
 FIG. 4 is a rear view thereof;  
 FIG. 5 is a left side view thereof;  
 FIG. 6 is a right side view thereof;  
 FIG. 7 is a top view thereof; and,  
 FIG. 8 is a bottom view thereof.  
 The broken lines in the figures show portions of the virtual reality headset that form no part of the claimed design.

**1 Claim, 5 Drawing Sheets**

(56) **References Cited**  
U.S. PATENT DOCUMENTS

- D741,327 S 10/2015 Reznik
- D749,580 S 2/2016 Kim et al.
- D752,680 S 3/2016 Kim et al.
- D753,111 S 4/2016 Fei et al.



(56)

**References Cited**

U.S. PATENT DOCUMENTS

D807,357 S *	1/2018	Wu .....	D14/372
D807,358 S *	1/2018	Huang .....	D14/372
D809,516 S *	2/2018	Tabata .....	D14/372
D810,081 S *	2/2018	Lin .....	D14/372
D811,394 S *	2/2018	Tabata .....	D14/372
D812,127 S *	3/2018	Seo .....	D16/312

\* cited by examiner

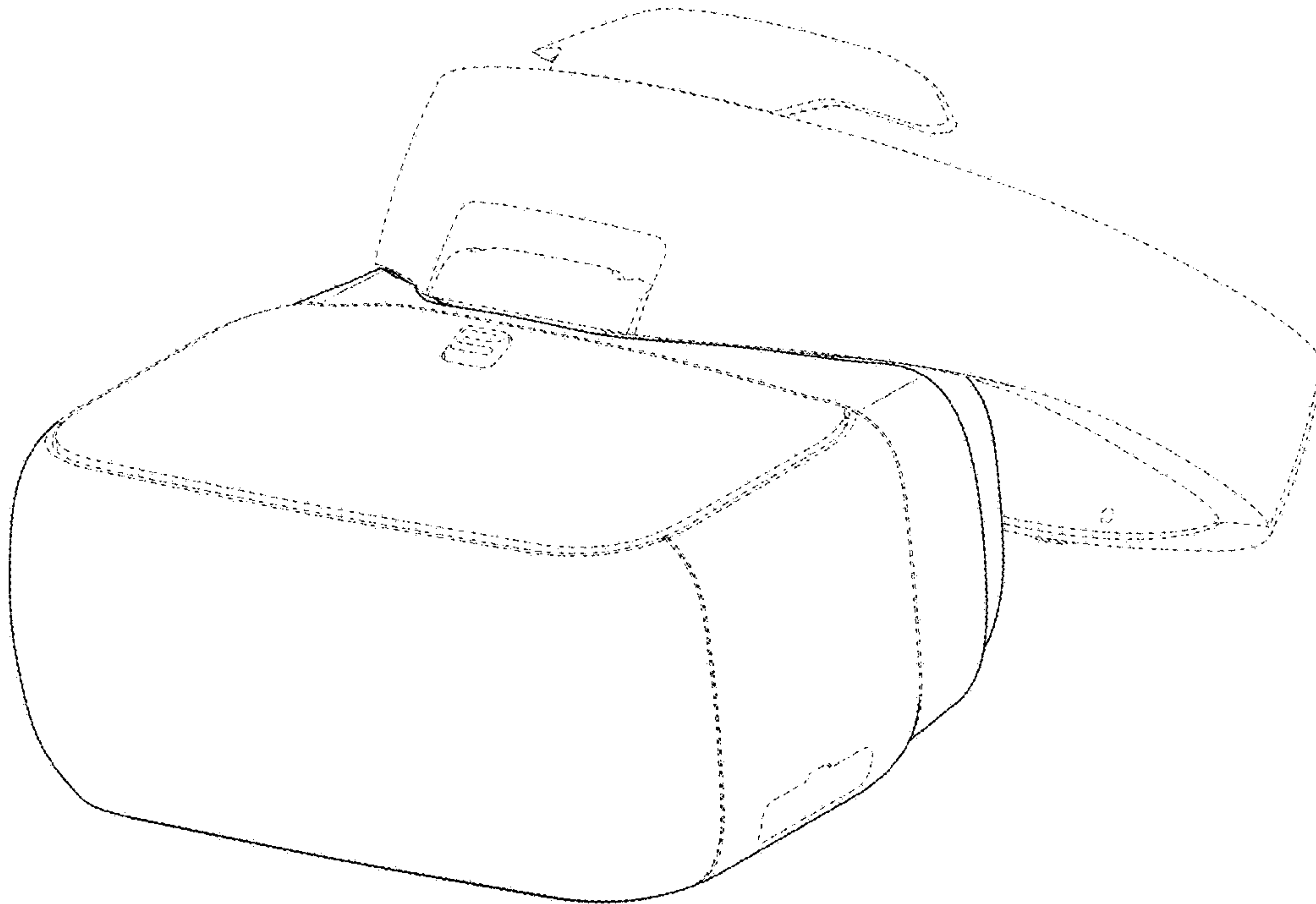


FIG. 1

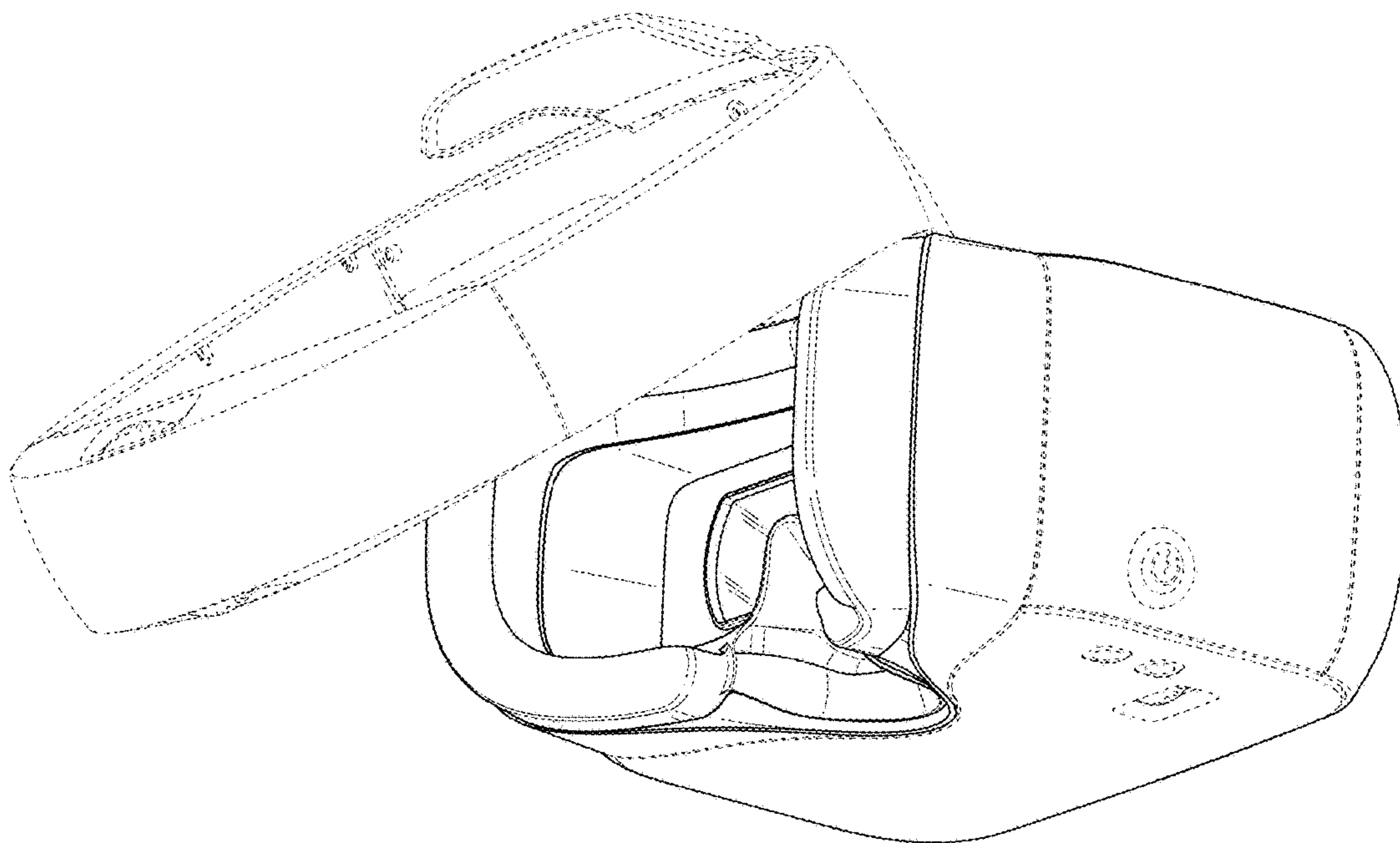


FIG. 2

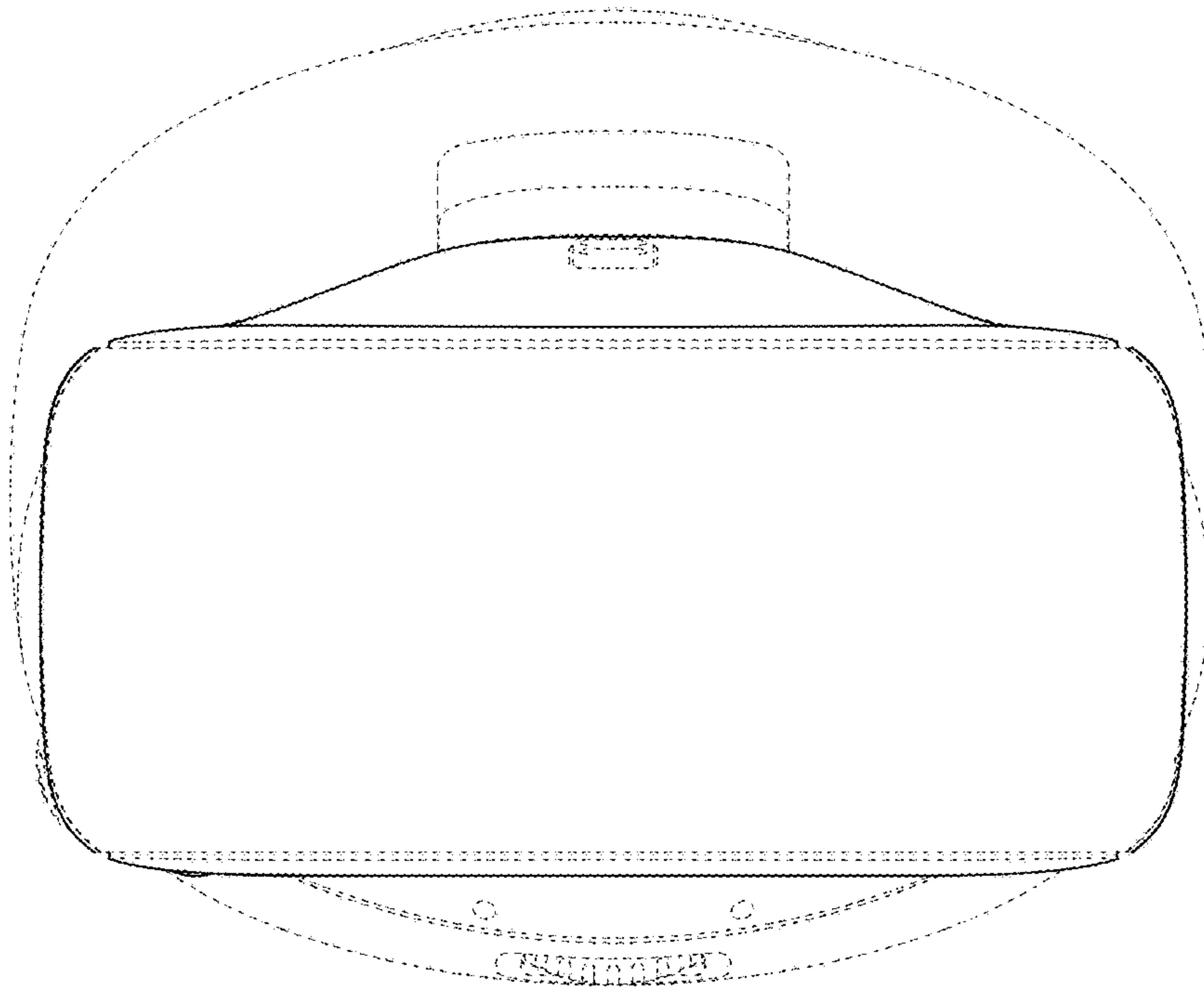


FIG. 3

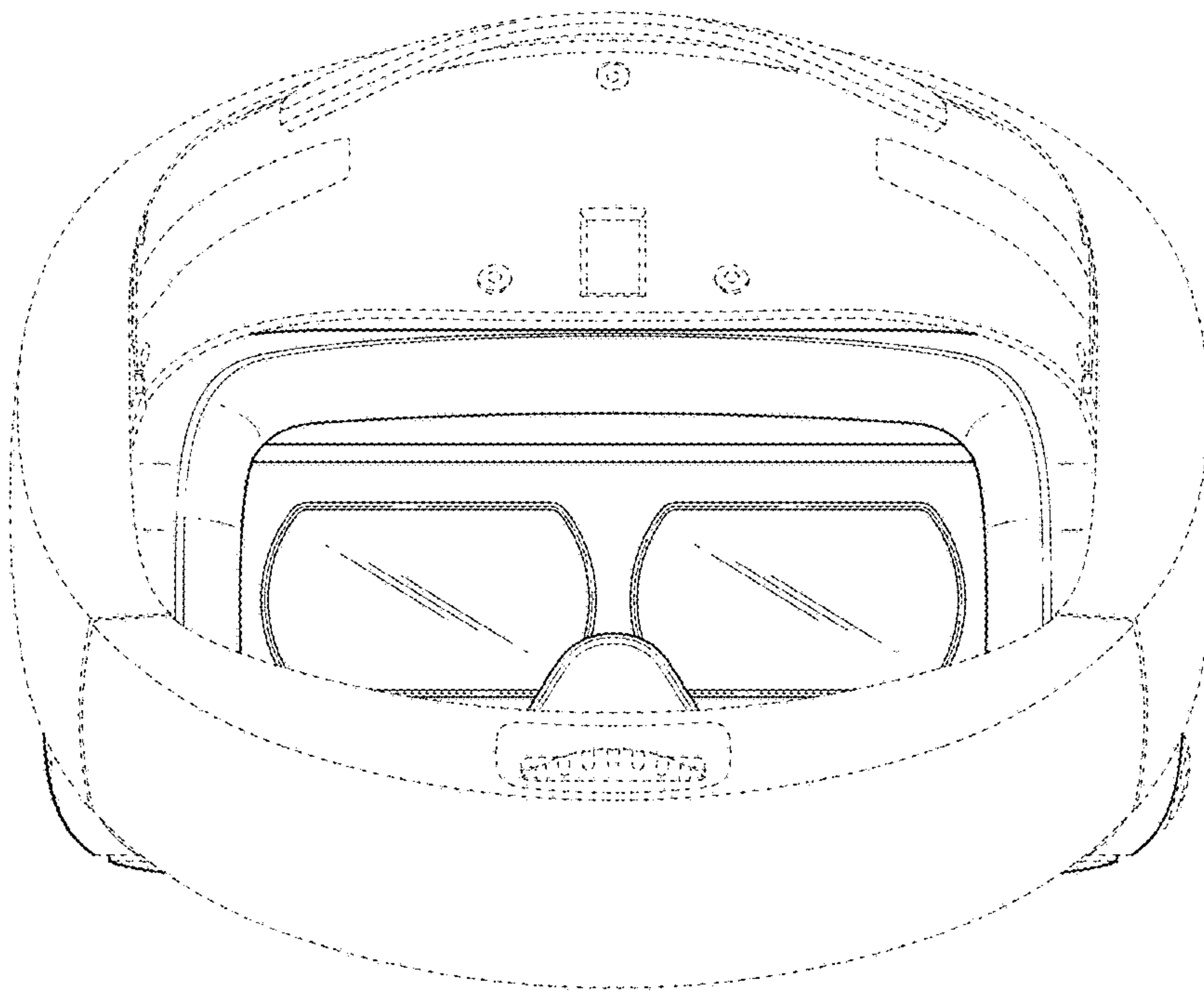


FIG. 4

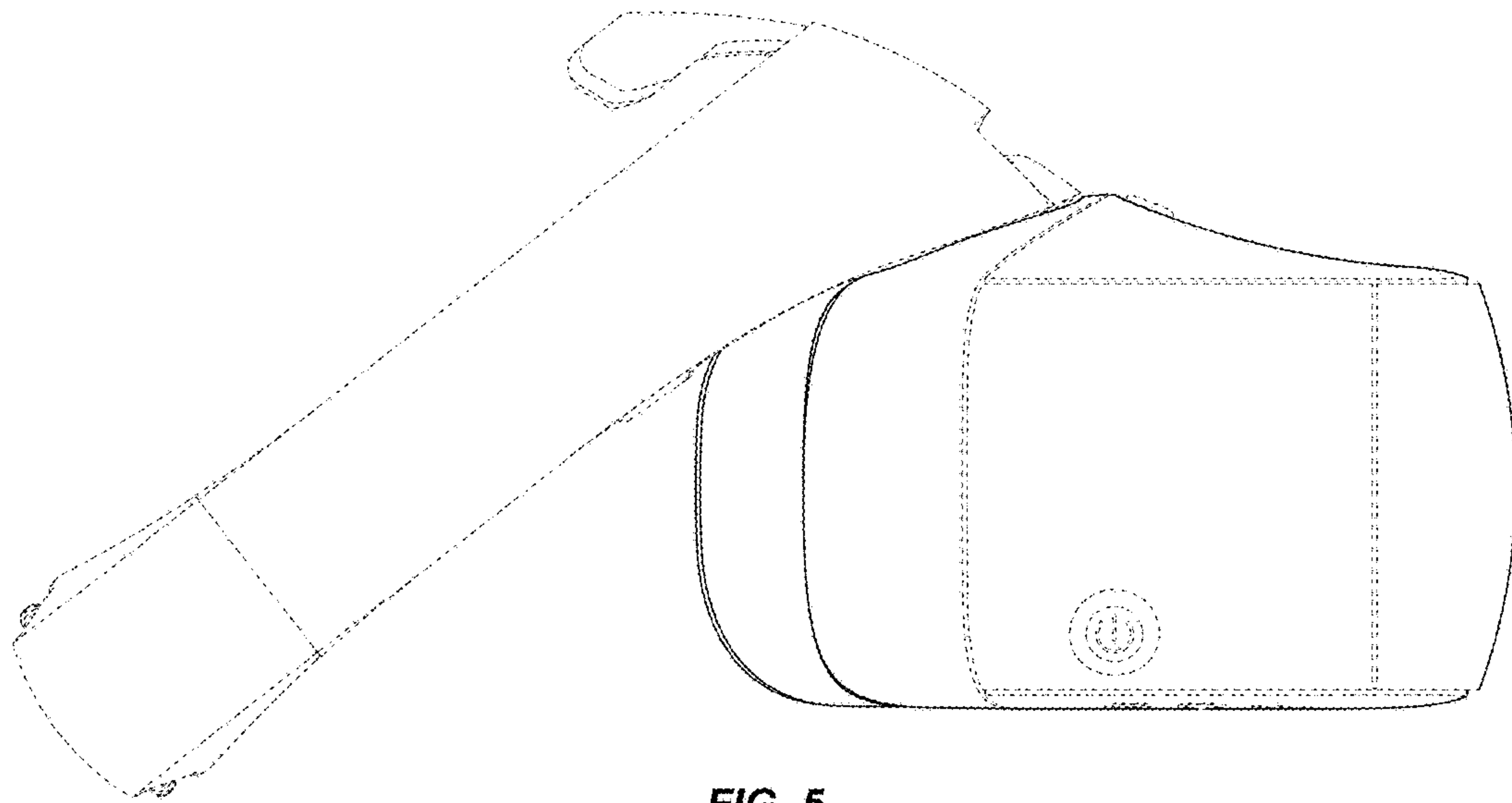


FIG. 5

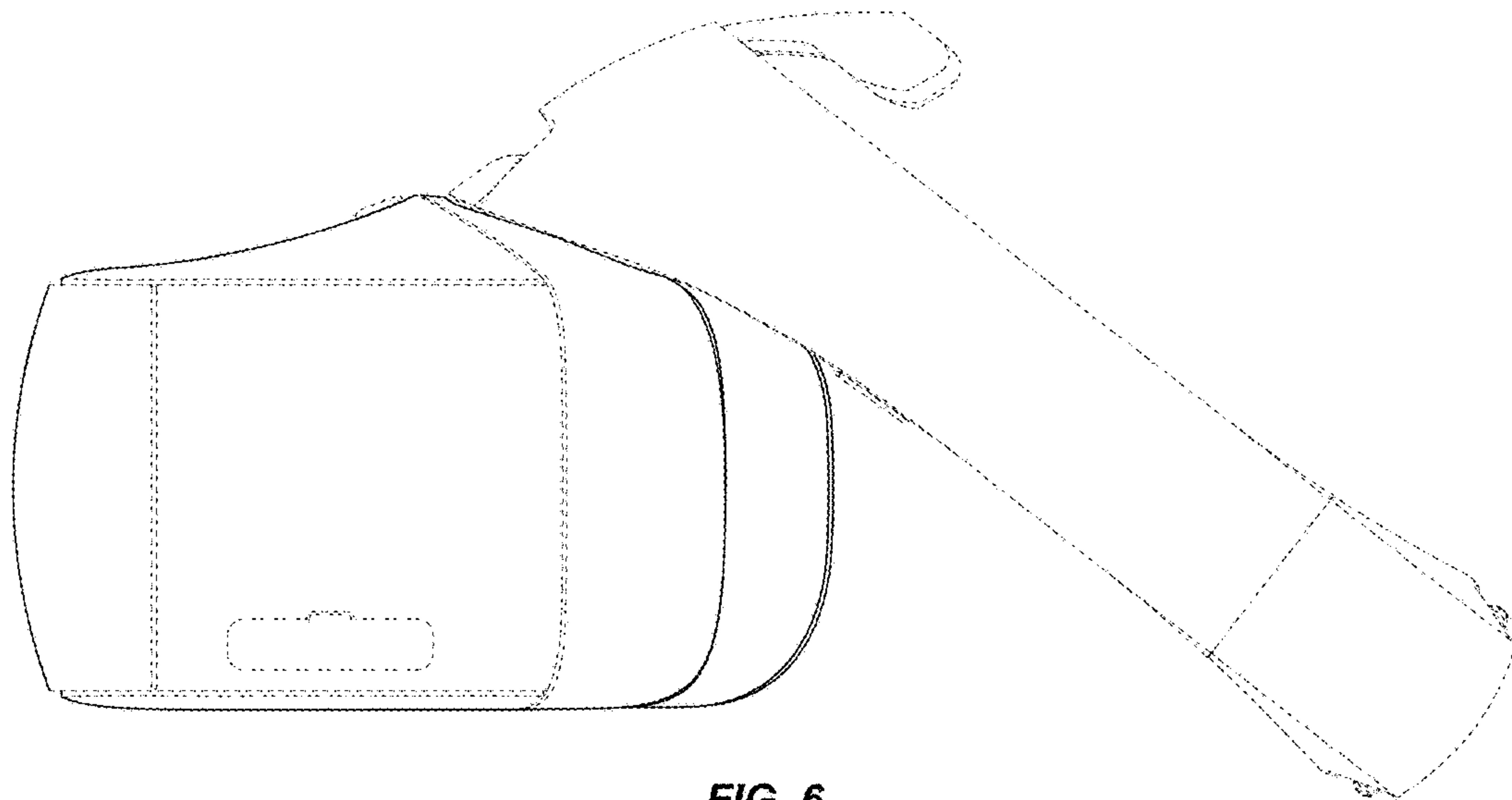


FIG. 6



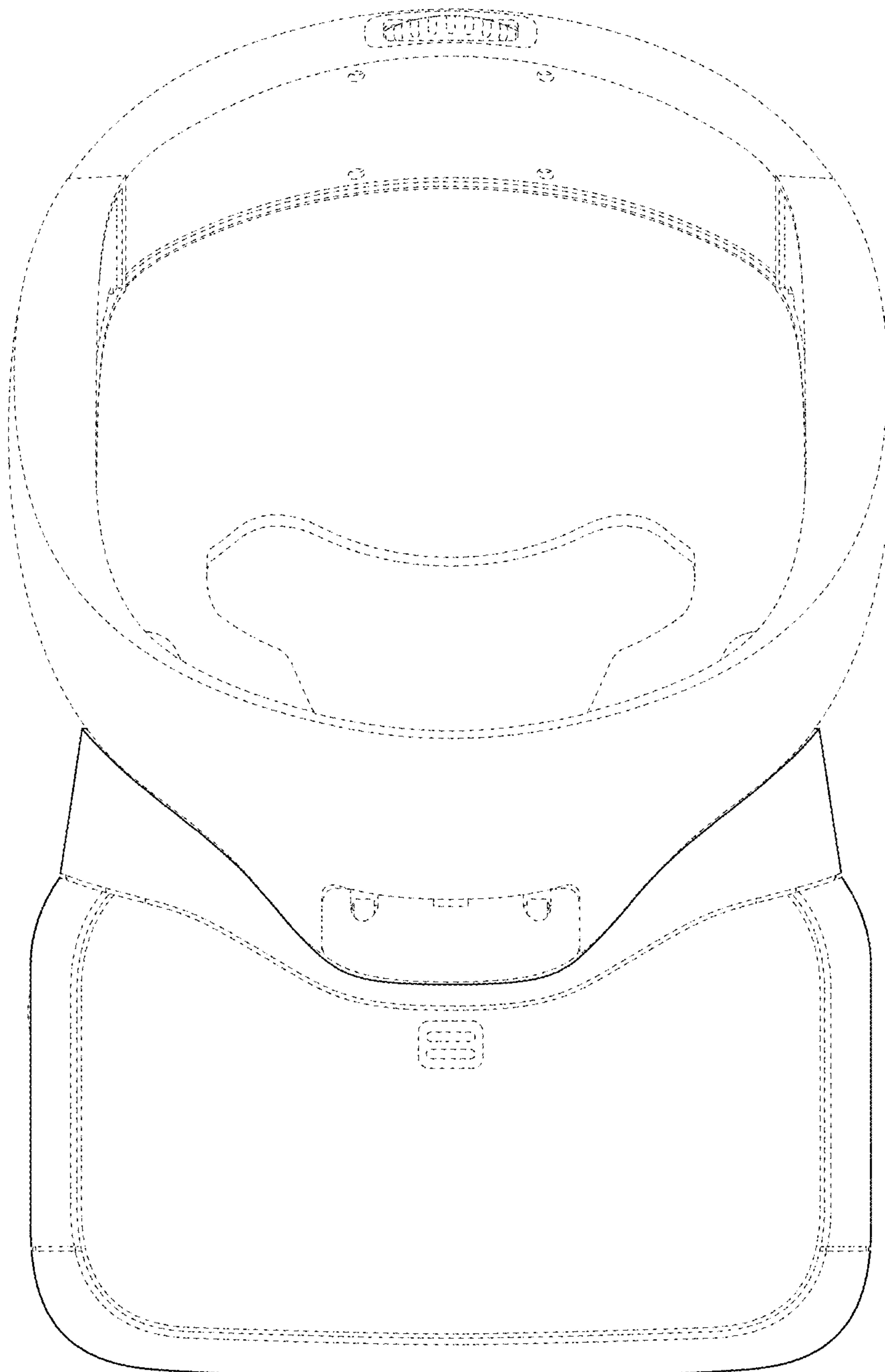


FIG. 7

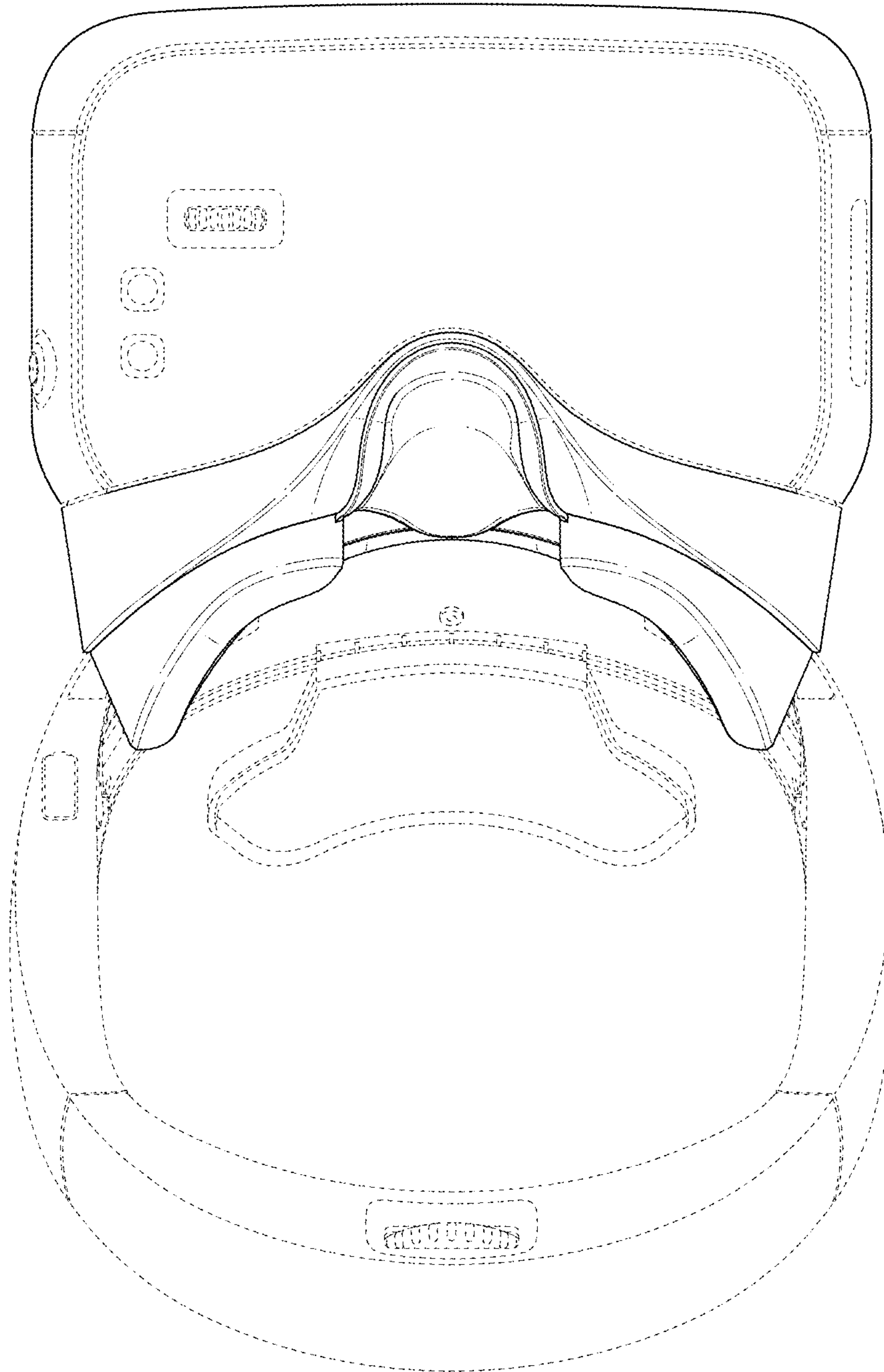


FIG. 8