



US00D819635S

(12) **United States Design Patent**  
**Miller et al.**

(10) **Patent No.:** **US D819,635 S**  
(45) **Date of Patent:** **\*\* Jun. 5, 2018**

(54) **HEAD-MOUNTED DISPLAY**

(71) Applicant: **Oculus VR, LLC**, Menlo Park, CA  
(US)

(72) Inventors: **Robin Michael Miller**, Redmond, WA  
(US); **Joseph Patrick Sullivan**, Seattle,  
WA (US); **Adam Hewko**, Kirkland, WA  
(US)

(73) Assignee: **Oculus VR, LLC**, Menlo Park, CA  
(US)

(\*\*) Term: **15 Years**

(21) Appl. No.: **29/612,368**

(22) Filed: **Jul. 31, 2017**

(51) **LOC (11) Cl.** ..... **14-02**

(52) **U.S. Cl.**  
USPC ..... **D14/372**

(58) **Field of Classification Search**  
USPC ..... D14/372, 496, 432, 371, 125, 126, 129,  
D14/299; D16/300-342; 351/158, 153,  
351/144; 345/7-9, 905; 455/344;  
348/115, 53, 121, 739  
CPC ..... G02B 27/017; G02B 27/0158; G02B  
27/0161; G02B 27/0181; G02B 27/0185;  
G02B 27/0189

See application file for complete search history.

(56) **References Cited**

**U.S. PATENT DOCUMENTS**

D719,953 S \* 12/2014 Nokuo ..... D14/372  
D741,327 S \* 10/2015 Reznik ..... D14/372

D753,111 S \* 4/2016 Fei ..... D14/372  
D759,015 S \* 6/2016 Mehin ..... D14/372  
D785,619 S \* 5/2017 Su ..... D14/372  
D791,129 S \* 7/2017 Sullivan ..... D14/372  
D792,399 S \* 7/2017 Thomas ..... D14/372  
D800,117 S \* 10/2017 Yee ..... D14/372  
D801,969 S \* 11/2017 Yee ..... D14/372  
D801,970 S \* 11/2017 Sullivan ..... D14/372  
9,832,561 B2 \* 11/2017 Morris ..... H04R 1/1066  
D807,354 S \* 1/2018 Yee ..... D14/372  
D810,743 S \* 2/2018 Yee ..... D14/372

\* cited by examiner

*Primary Examiner* — Austin Murphy

(74) *Attorney, Agent, or Firm* — Fenwick & West LLP

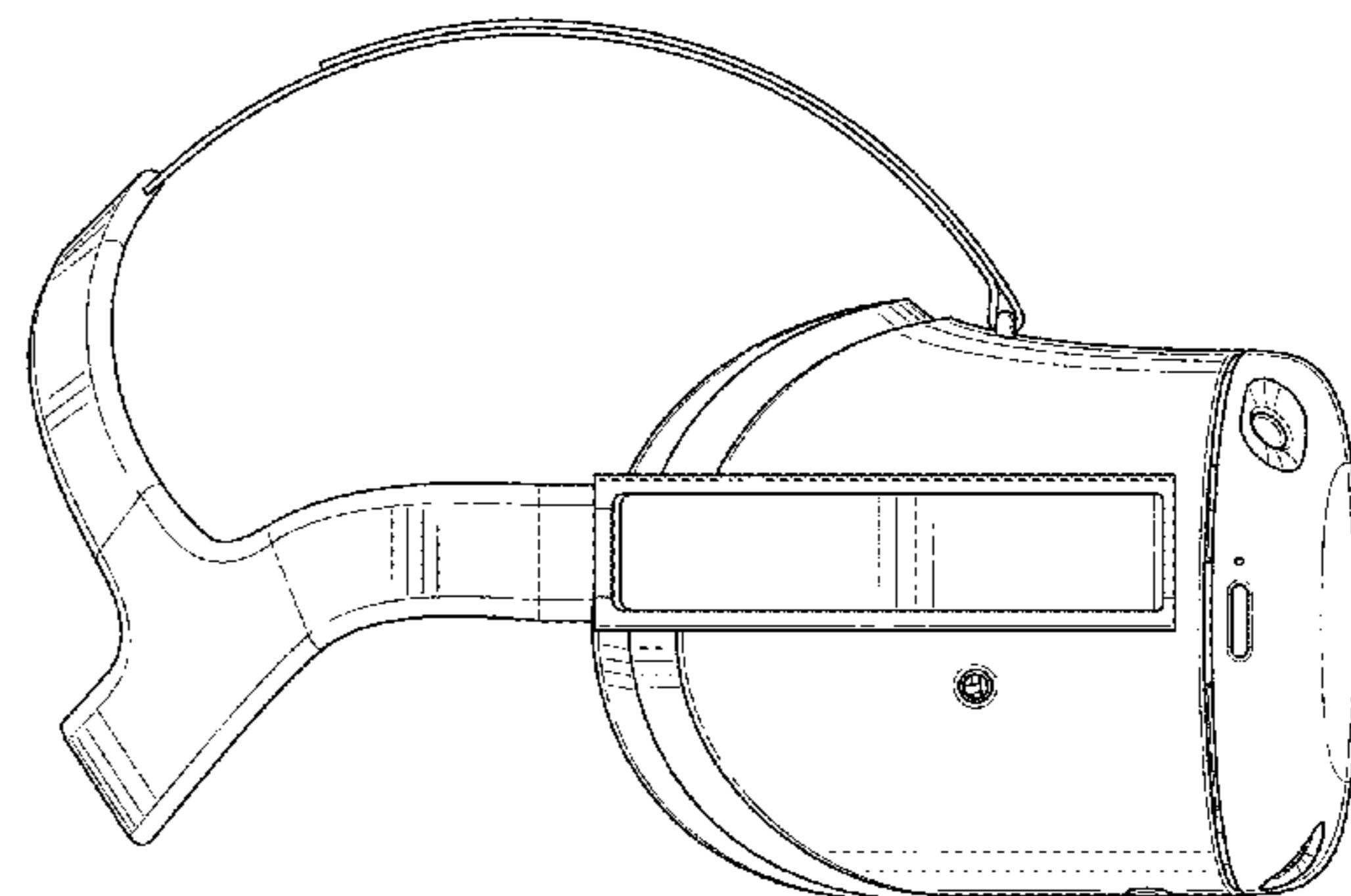
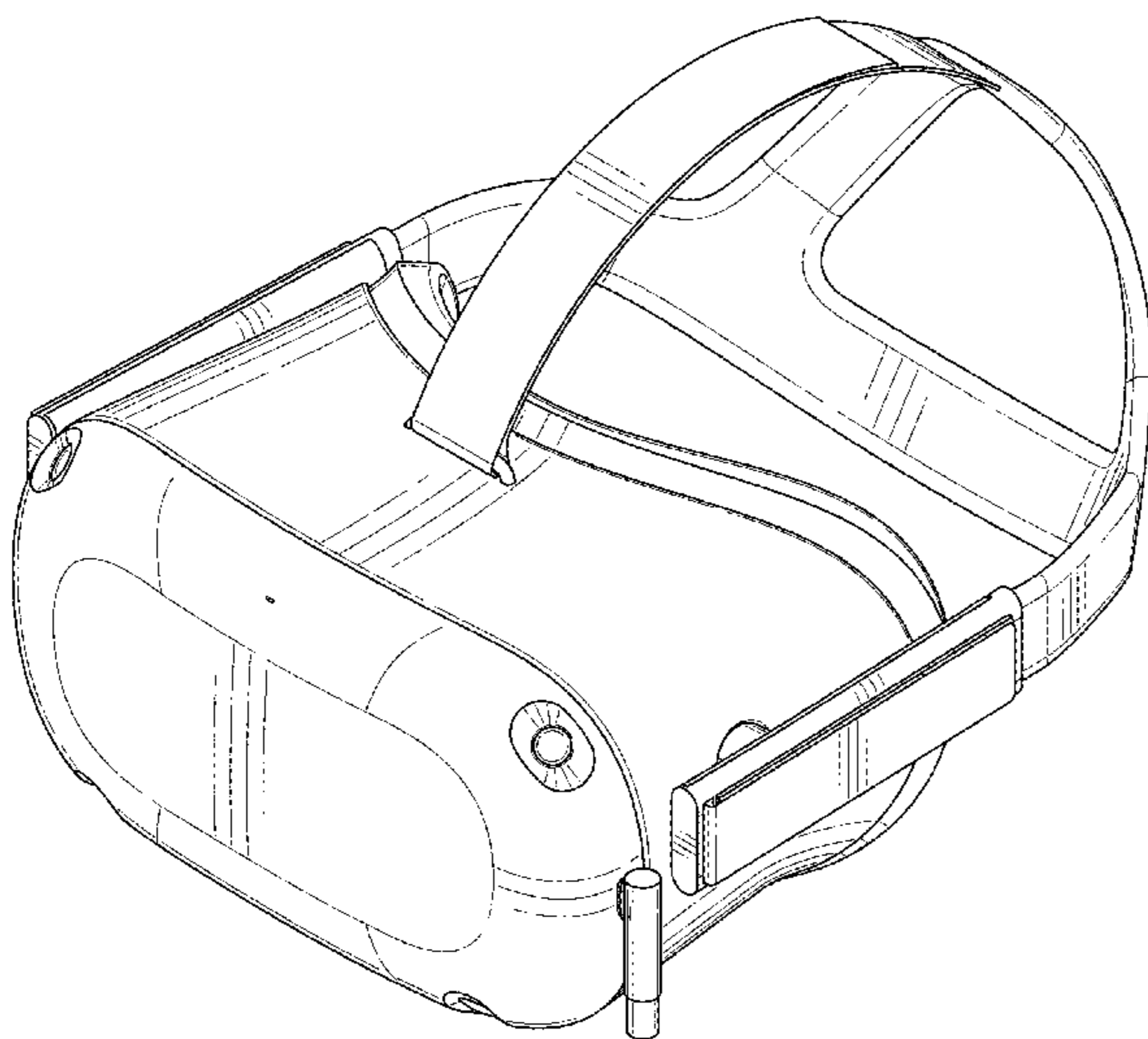
(57) **CLAIM**

The ornamental design for a head-mounted display, as shown and described.

**DESCRIPTION**

FIG. 1 is a top and right perspective view of a head-mounted display;  
FIG. 2 is a front view thereof;  
FIG. 3 is a rear view thereof;  
FIG. 4 is a left view thereof;  
FIG. 5 is a right view thereof;  
FIG. 6 is a top view thereof; and,  
FIG. 7 is a bottom view thereof.

**1 Claim, 7 Drawing Sheets**



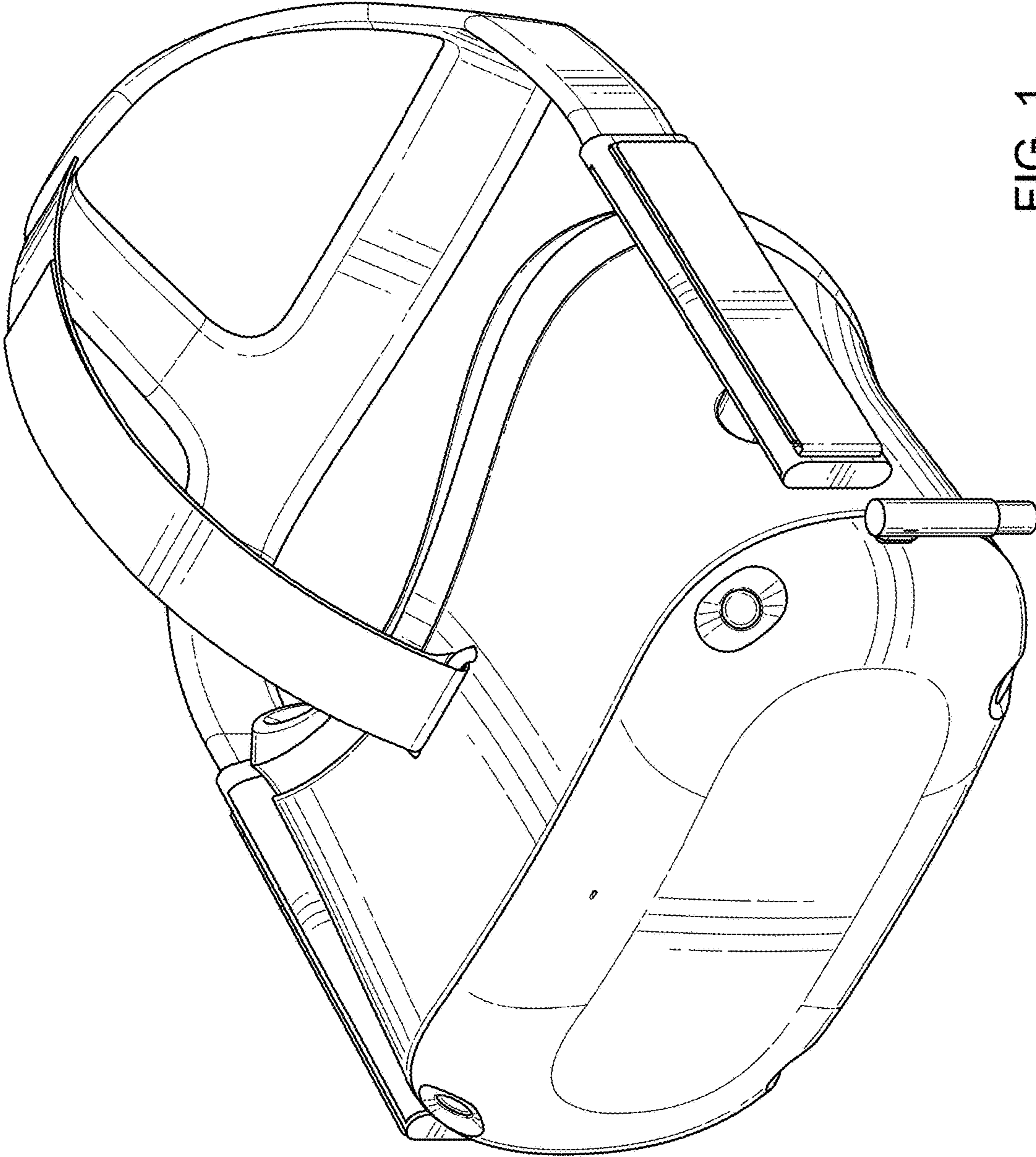


FIG. 1

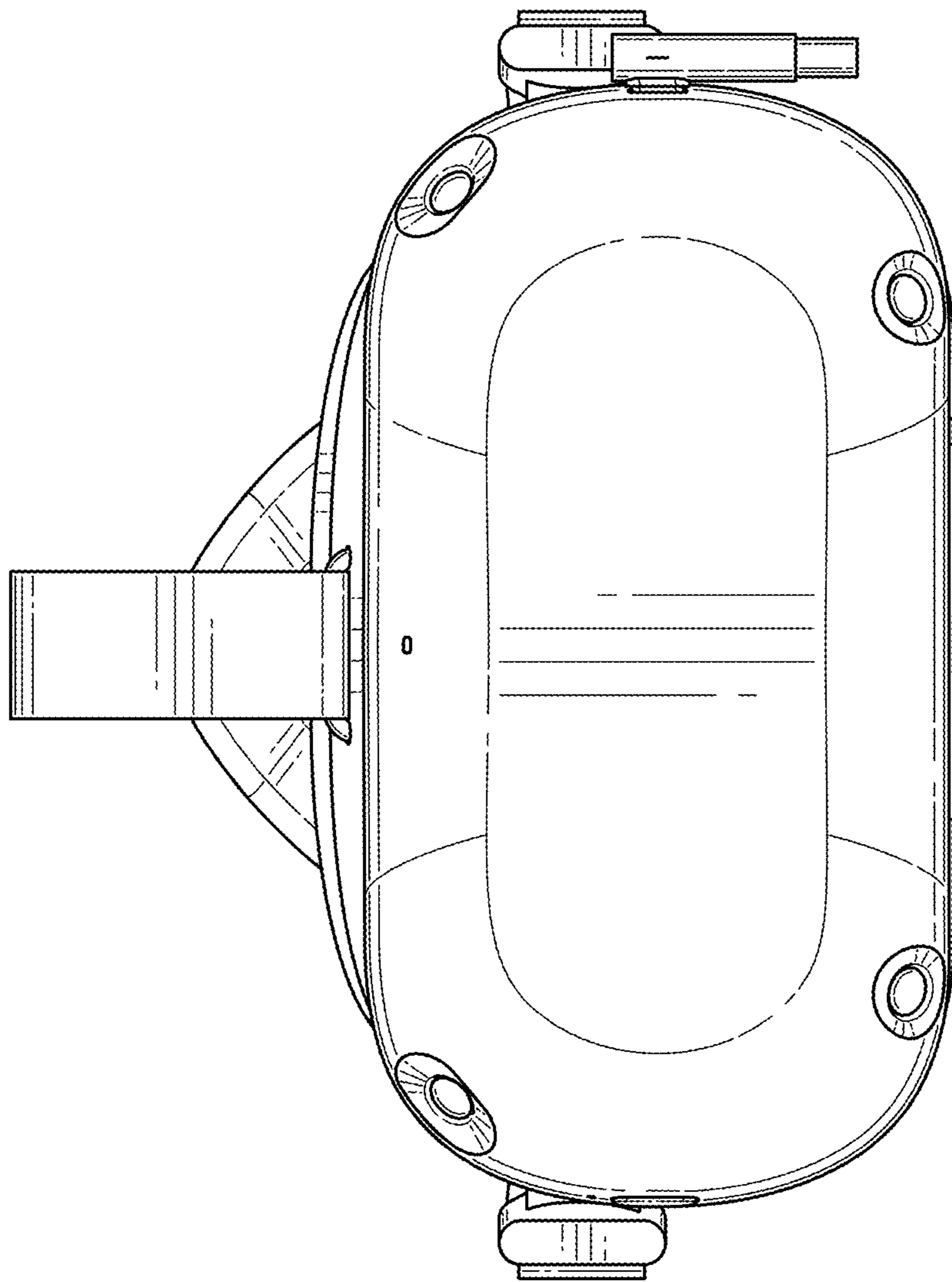


FIG. 2

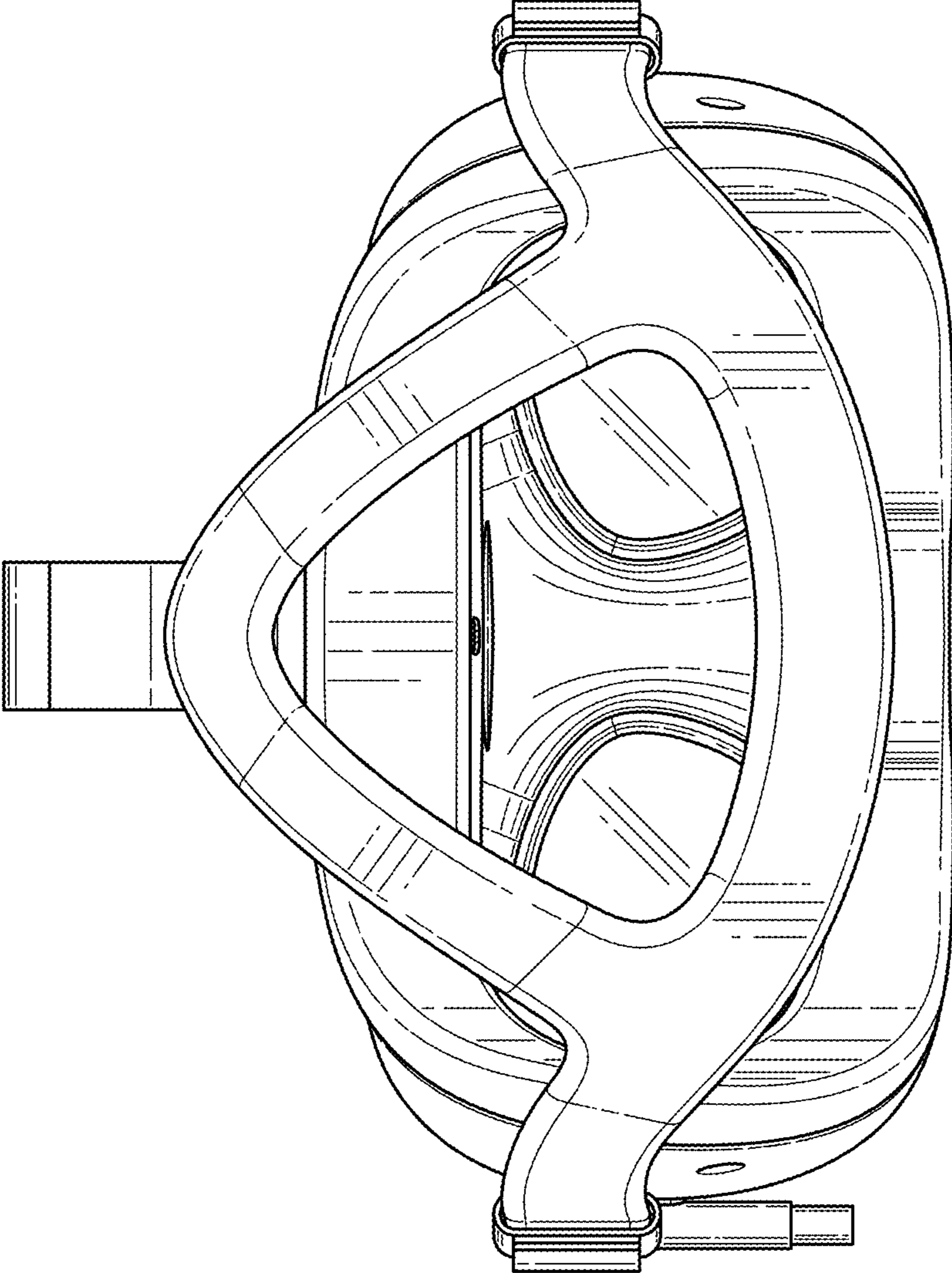


FIG. 3

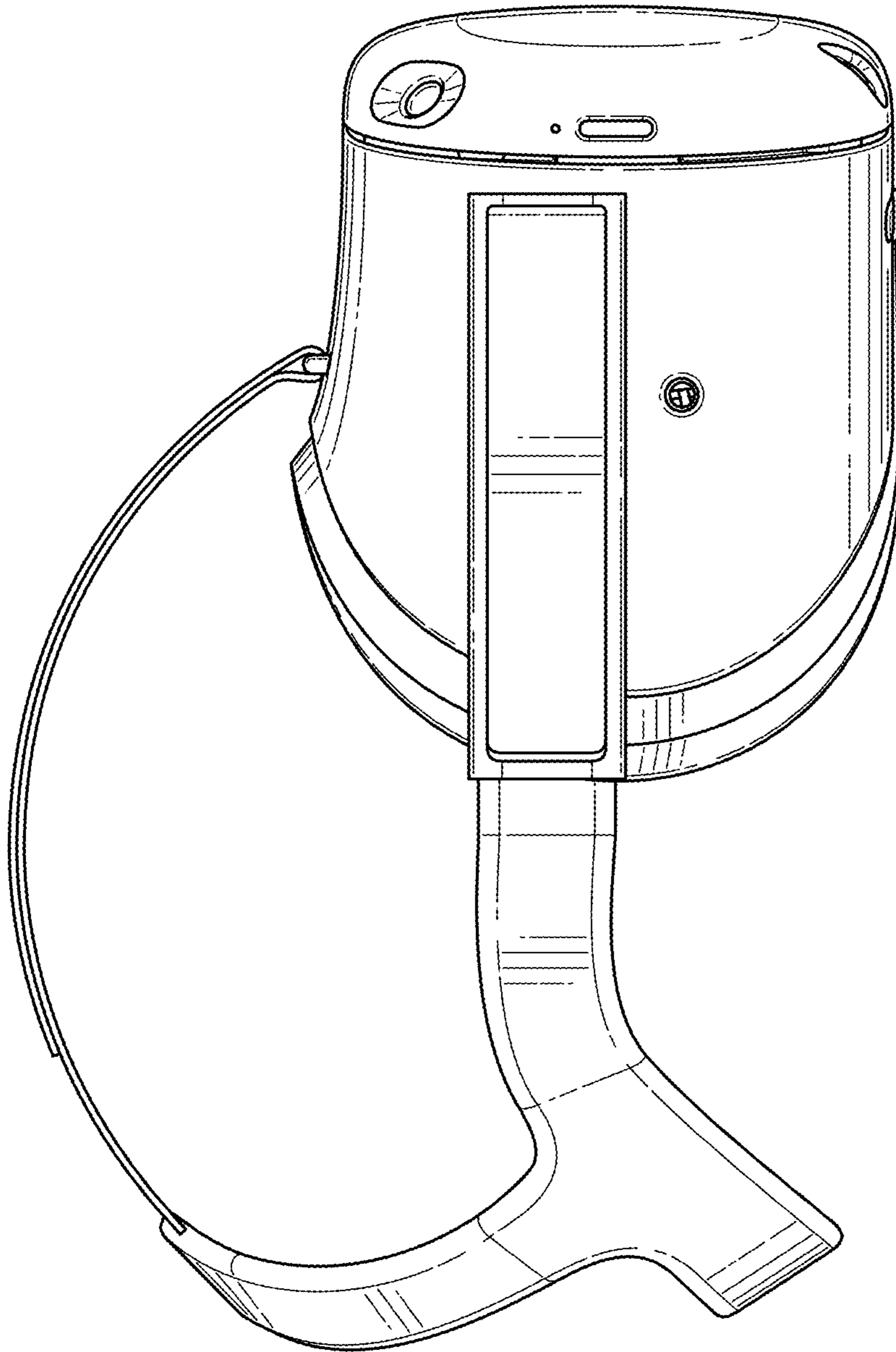


FIG. 4

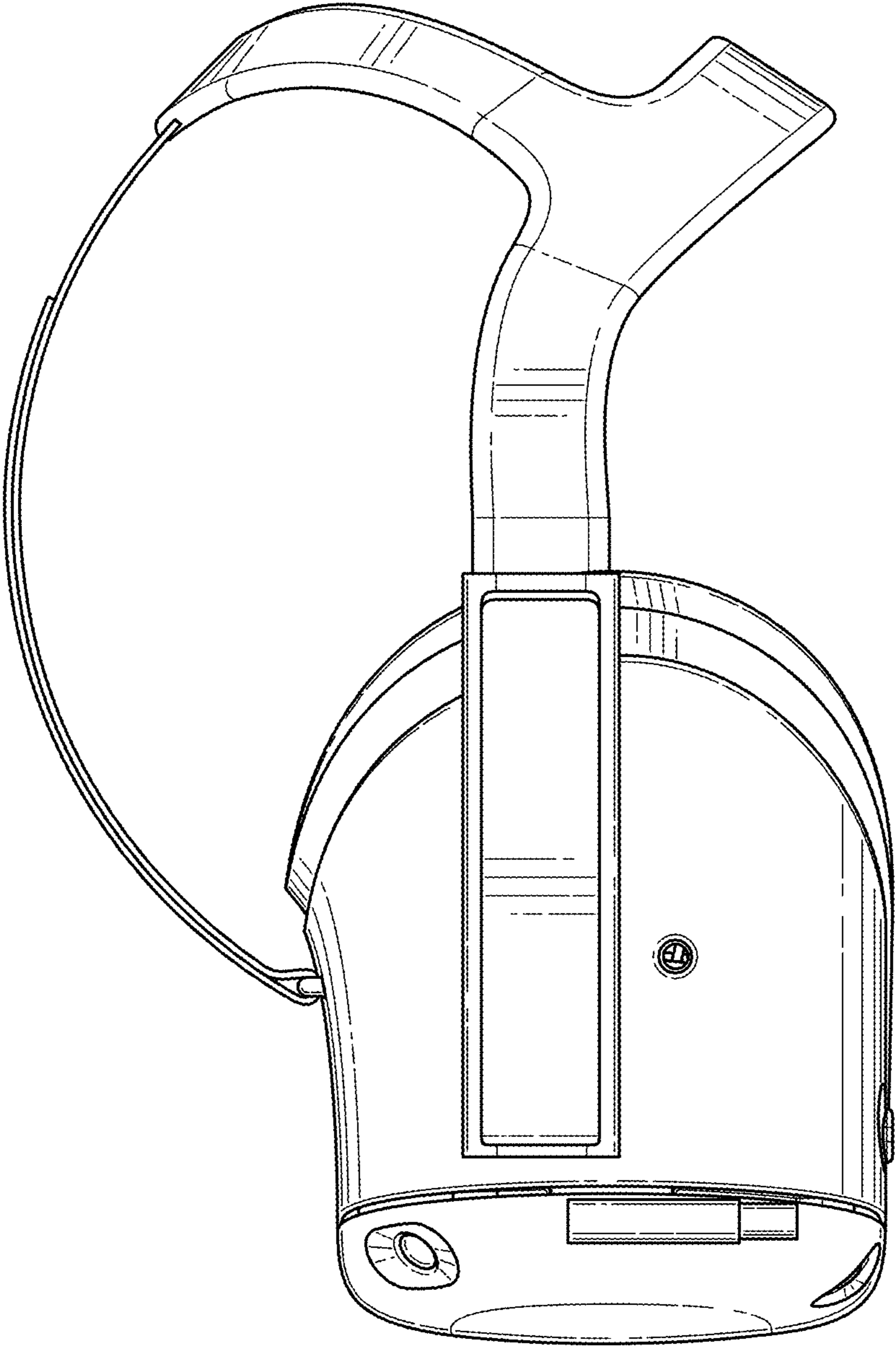


FIG. 5

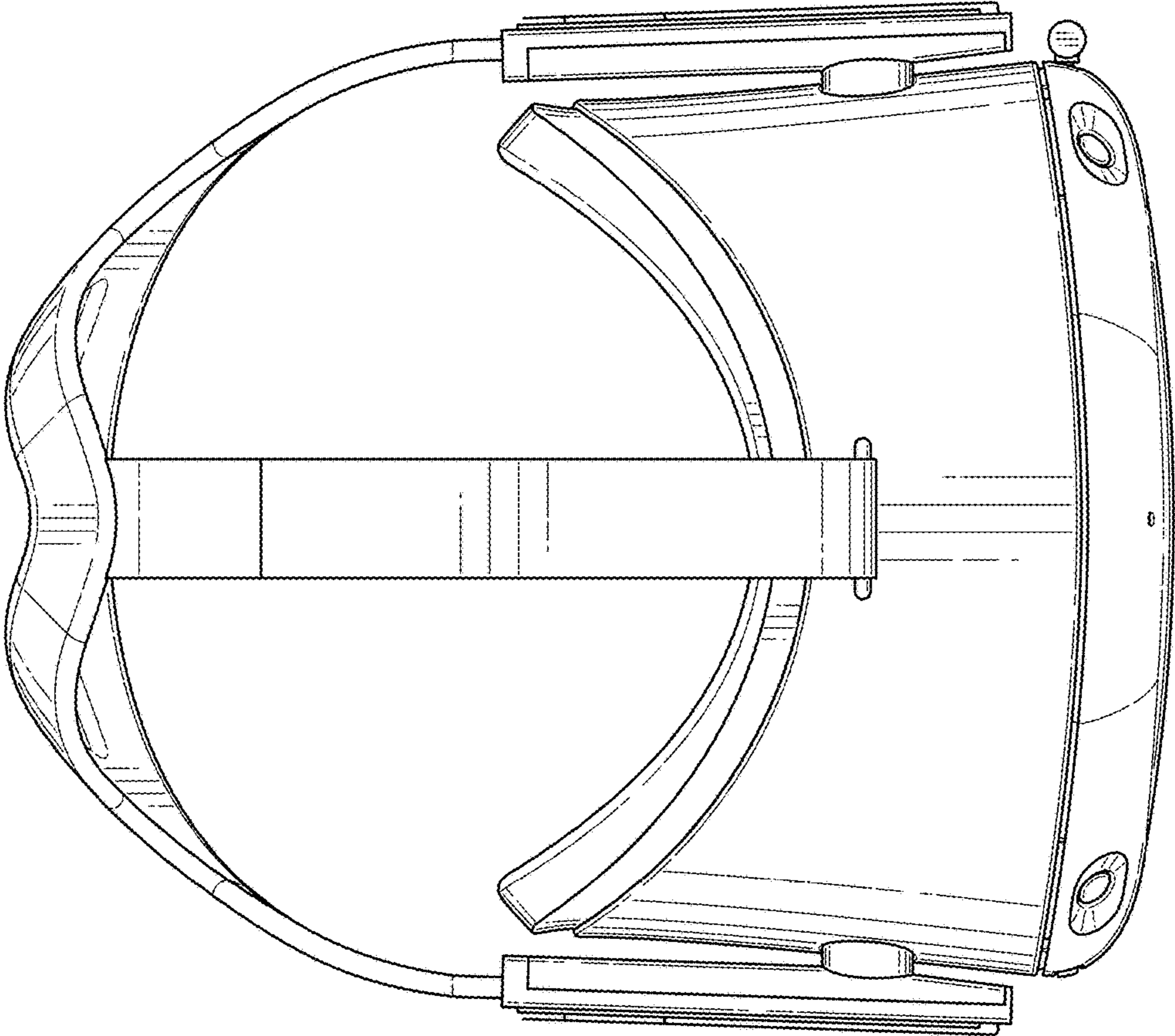


FIG. 6

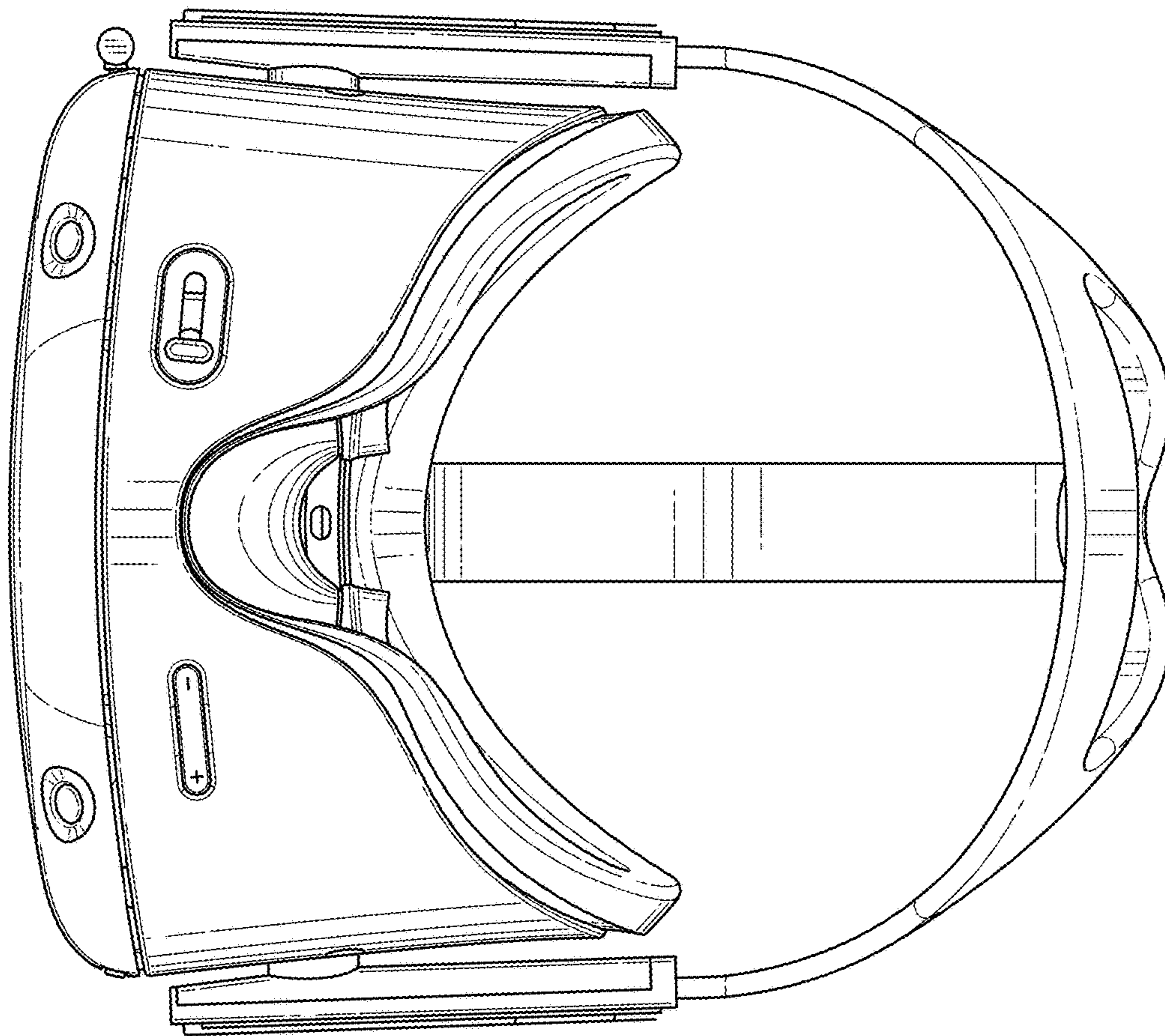


FIG. 7