



US00D819633S

(12) **United States Design Patent**
Jun

(10) **Patent No.:** **US D819,633 S**
(45) **Date of Patent:** **** Jun. 5, 2018**

- (54) **EXTERNAL SSD STORAGE DEVICE**
- (71) Applicant: **SAMSUNG ELECTRONICS CO., LTD.**, Suwon-si (KR)
- (72) Inventor: **Gyejin Jun**, Seongnam-si (KR)
- (73) Assignee: **SAMSUNG ELECTRONICS CO., LTD.**, Suwon-Si (KR)
- (**) Term: **15 Years**
- (21) Appl. No.: **29/601,406**
- (22) Filed: **Apr. 21, 2017**
- (30) **Foreign Application Priority Data**
Nov. 1, 2016 (KR) 30-2016-0052457
- (51) **LOC (11) Cl.** **14-02**
- (52) **U.S. Cl.**
USPC **D14/363**; D14/356; D14/348
- (58) **Field of Classification Search**
USPC D14/300-302, 314, 348-370, 383-385, D14/435, 496, 125, 135, 155, 240-242, D14/299, 474, 203.1, 203.3, 203.4, 432, D14/436, 440, 250, 433; D13/103, 107, D13/108, 110, 119, 158, 162, 184, 199; D3/276, 294, 226, 230, 244
CPC ... G11B 33/027; G11B 33/122; G11B 33/124; G11B 33/00; G11B 33/02; G11B 33/022; G11B 33/025; H05K 5/00; H05K 5/0213; H01R 13/60
See application file for complete search history.

- (56) **References Cited**
U.S. PATENT DOCUMENTS
D397,033 S * 8/1998 Puglisi D9/432
D427,193 S * 6/2000 Fedele D14/348
D436,958 S * 1/2001 Chen D14/363

- D483,562 S * 12/2003 Barton D3/226
- D492,321 S * 6/2004 Farrar D14/435
- D502,164 S * 2/2005 Ko D14/203.5
- D513,615 S * 1/2006 Ryan D14/385
- D528,548 S * 9/2006 Tang D14/435
- D530,323 S * 10/2006 Hsu D14/348
- D537,818 S * 3/2007 Burton D14/480.1
- D540,792 S * 4/2007 Wang D14/356
- D557,495 S * 12/2007 Chan D3/218
- D570,772 S * 6/2008 Mahaffey D13/110
- D570,845 S * 6/2008 Liu D14/433
- D577,021 S * 9/2008 Kuang D14/363
- D581,156 S * 11/2008 Wang D14/356
- D586,808 S * 2/2009 Wang D14/356
- D590,392 S * 4/2009 Wang D14/356
- D592,619 S * 5/2009 Woo D14/125
- D592,660 S * 5/2009 Wang D14/356
- D602,492 S * 10/2009 Wang D14/356
- D609,713 S * 2/2010 Du D14/436
- D612,606 S * 3/2010 Waldeck D3/303

(Continued)

Primary Examiner — Susan Bennett Hattan
Assistant Examiner — Marie D. Fast Horse
(74) *Attorney, Agent, or Firm* — Sughrue Mion, PLLC

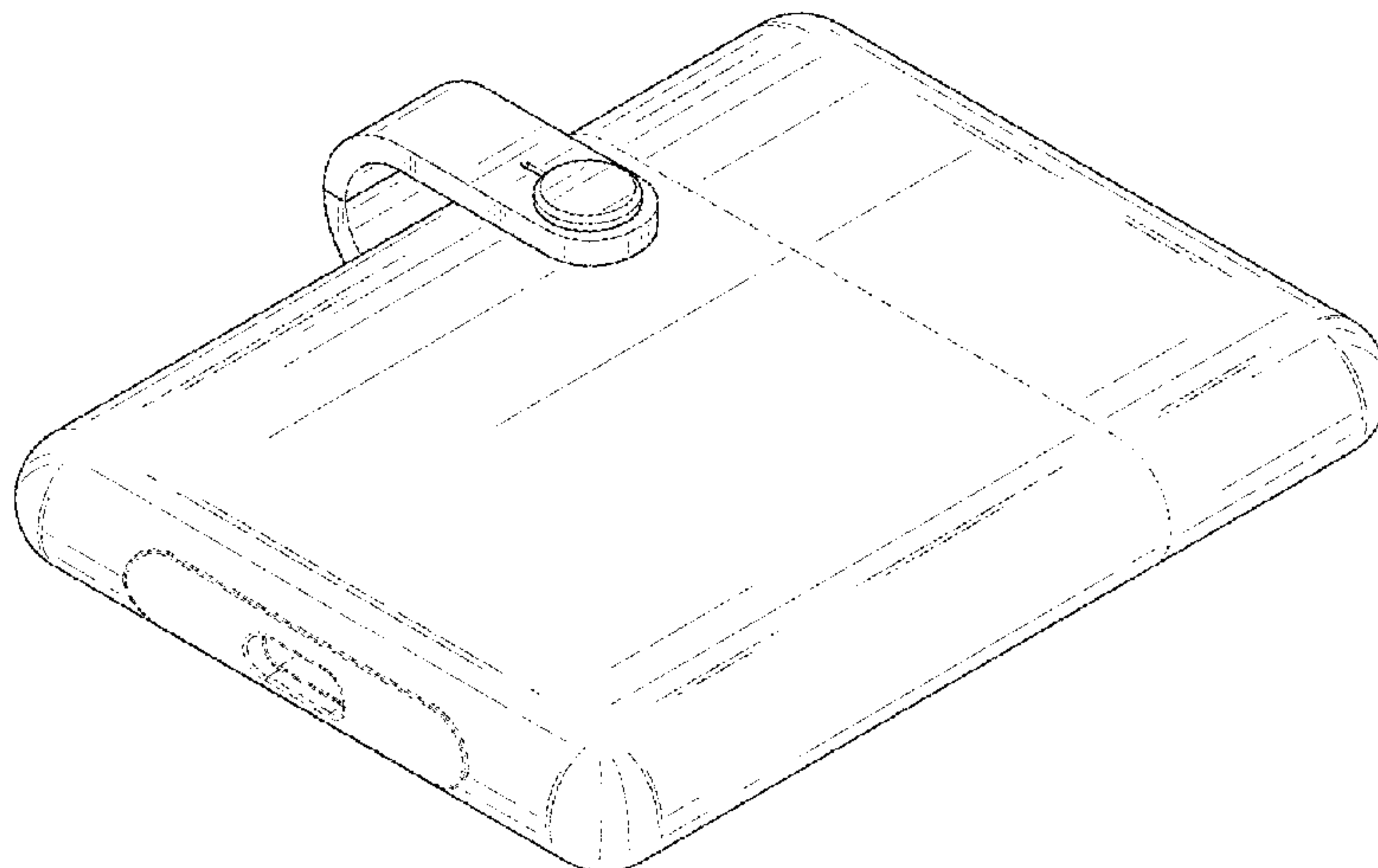
(57) **CLAIM**

The ornamental design for an external SSD storage device, as shown and described.

DESCRIPTION

FIG. 1 is a perspective view of an external SSD storage device showing my new design;
FIG. 2 is a front view thereof;
FIG. 3 is a rear view thereof;
FIG. 4 is a left side view thereof;
FIG. 5 is a right side view thereof;
FIG. 6 is a top plan view thereof; and,
FIG. 7 is a bottom plan view thereof.
The broken lines in the drawings depict portions of the external SSD storage device that form no part of the claimed design.

1 Claim, 5 Drawing Sheets



(56)

References Cited

U.S. PATENT DOCUMENTS

D618,237 S * 6/2010 Wang D14/356
 D628,151 S * 11/2010 Wegener D13/108
 D628,153 S * 11/2010 Fujii D13/108
 D628,571 S * 12/2010 Wang D14/356
 D628,572 S * 12/2010 Wang D14/356
 D652,379 S * 1/2012 Vandiver D13/108
 D661,698 S * 6/2012 Chaturvedi D14/240
 D662,050 S * 6/2012 Tien D13/108
 D666,163 S * 8/2012 Hsu D14/125
 D672,309 S * 12/2012 Tien D13/108
 D674,748 S * 1/2013 Ferber D13/108
 D680,063 S * 4/2013 Sasada D13/103
 D681,634 S * 5/2013 Chen D14/351
 D682,197 S * 5/2013 Leung D13/103
 D683,135 S * 5/2013 Smith D3/218
 8,462,460 B1 * 6/2013 Szeremeta G11B 33/025
 360/97.19
 D697,867 S * 1/2014 Weinstein D13/108
 D721,646 S * 1/2015 Kim D13/103
 D722,952 S * 2/2015 Hu D13/103
 D722,961 S * 2/2015 Lin D13/103
 D724,526 S * 3/2015 Lee D13/103
 D724,527 S * 3/2015 Lee D13/103
 D727,257 S * 4/2015 Miller D13/103
 D727,258 S * 4/2015 Miller D13/103
 D727,843 S * 4/2015 Miller D13/103
 D727,844 S * 4/2015 Miller D13/103
 D727,845 S * 4/2015 Miller D13/103
 D729,522 S * 5/2015 Kim D3/218

D733,713 S * 7/2015 Shim D14/435
 D740,808 S * 10/2015 Kono D14/365
 D742,312 S * 11/2015 Gupta D13/103
 D743,398 S * 11/2015 Smith D14/433
 D751,071 S * 3/2016 Kurata D14/365
 D758,366 S * 6/2016 Peng D14/363
 D760,223 S * 6/2016 Peng D14/363
 D764,404 S * 8/2016 Lau D13/103
 D765,073 S * 8/2016 Niizawa D14/356
 D765,593 S * 9/2016 Hoshikawa D13/103
 D779,474 S * 2/2017 Kim D14/250
 9,594,409 B1 * 3/2017 Szeremeta G06F 1/187
 D783,525 S * 4/2017 Gupta D13/108
 D797,040 S * 9/2017 Lavin, Jr. D13/103
 D806,378 S * 1/2018 Lerenthal D3/201
 2004/0141253 A1 * 7/2004 Funawatari G06F 1/1632
 360/99.14
 2006/0164753 A1 * 7/2006 Huang G11B 33/122
 360/97.13
 2006/0252305 A1 * 11/2006 Le H01R 13/60
 439/528
 2008/0227380 A1 * 9/2008 Hsu G11B 33/025
 454/184
 2010/0279518 A1 * 11/2010 Watanabe H01R 13/44
 439/40
 2012/0050977 A1 * 3/2012 Lai G06F 1/187
 361/679.33
 2016/0197445 A1 * 7/2016 Bryngelsson H01R 13/72
 439/501
 2017/0185117 A1 * 6/2017 Szeremeta G06F 1/20

* cited by examiner

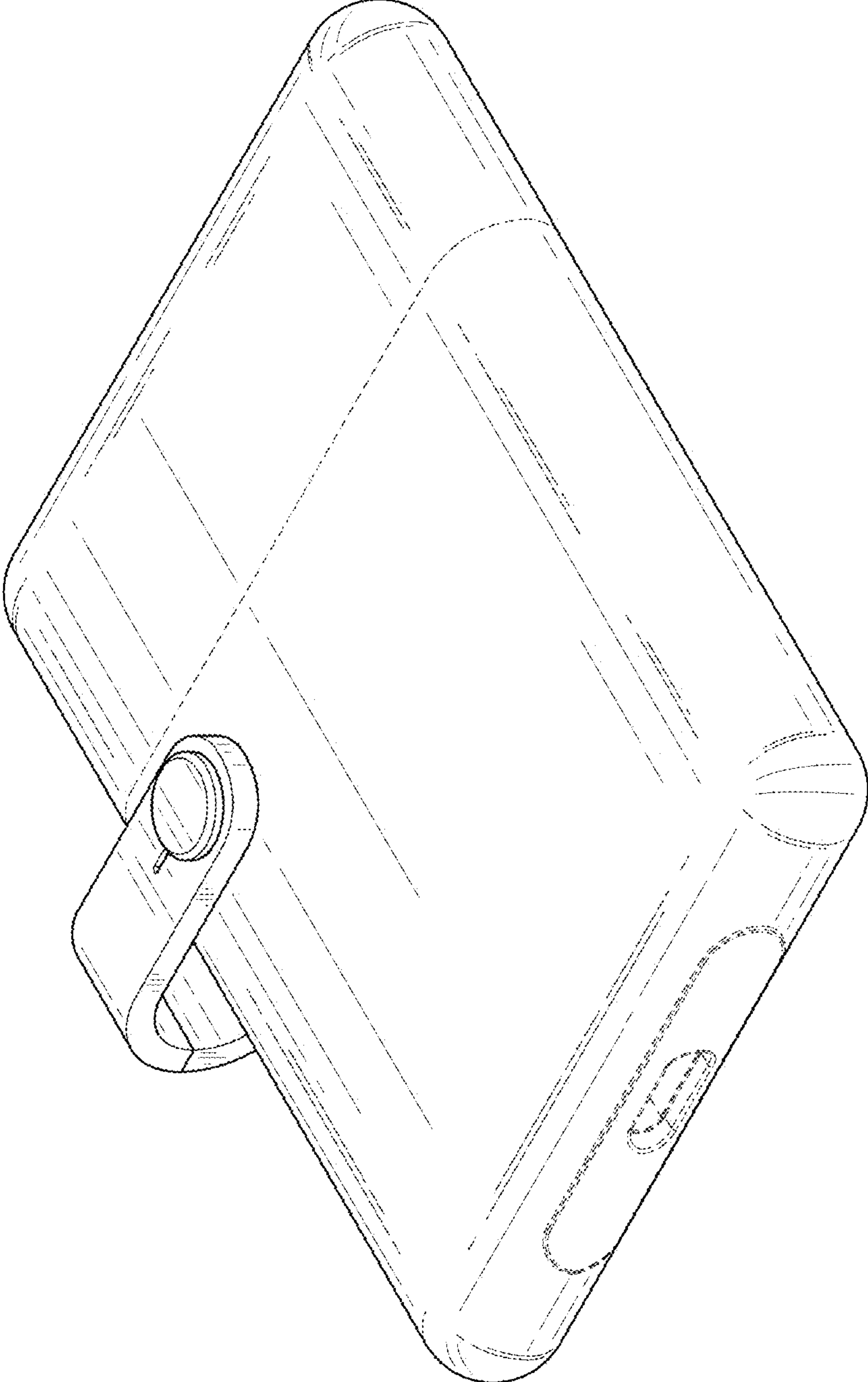


FIG. 1

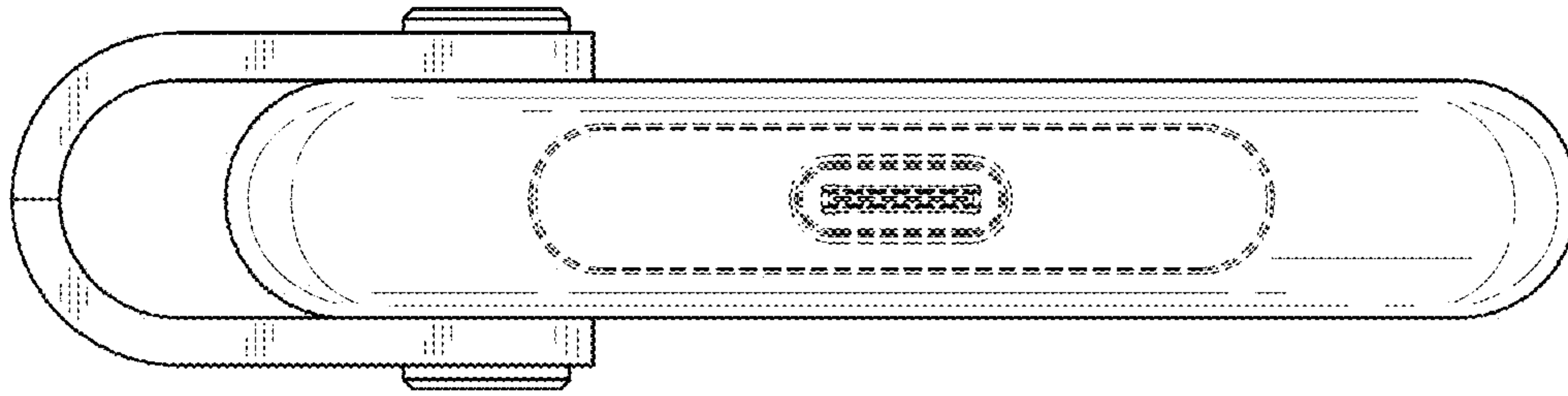


FIG. 2

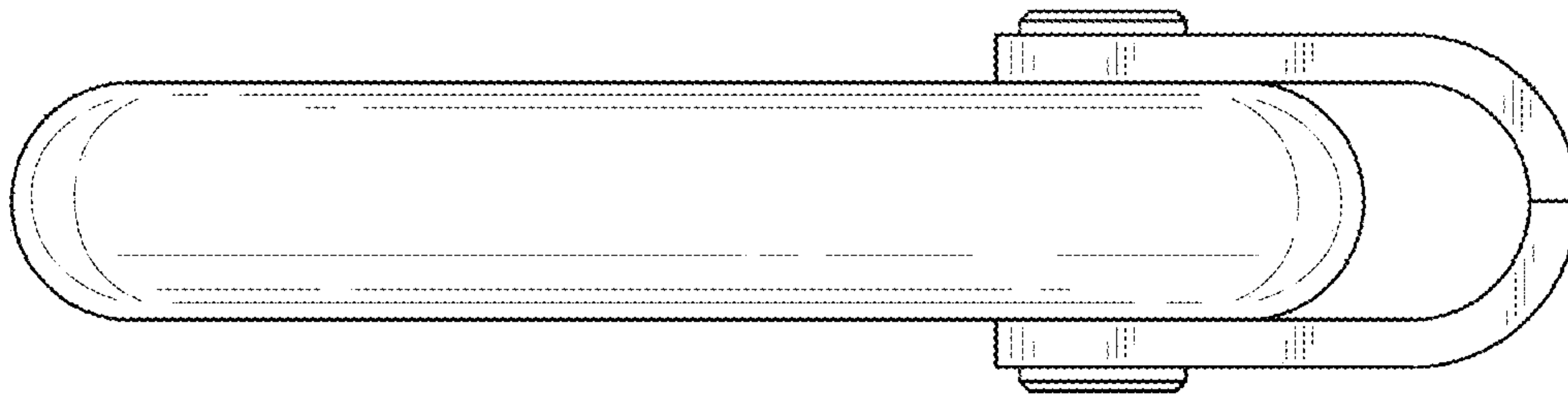


FIG. 3

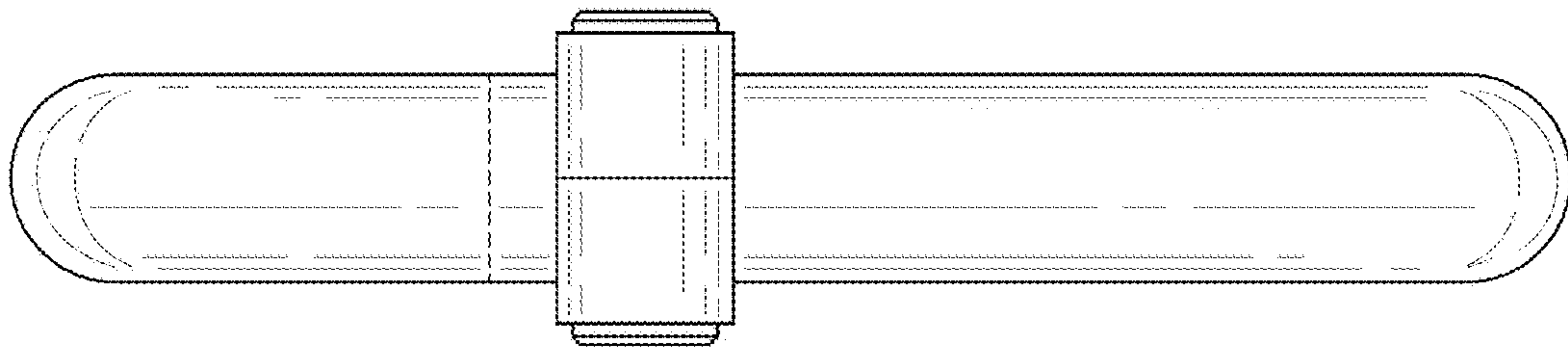


FIG. 4

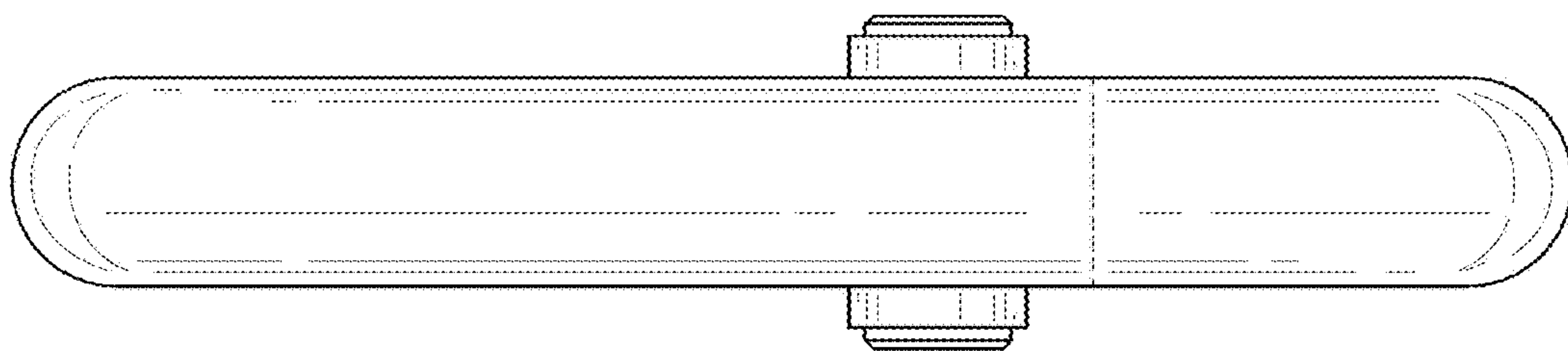


FIG. 5

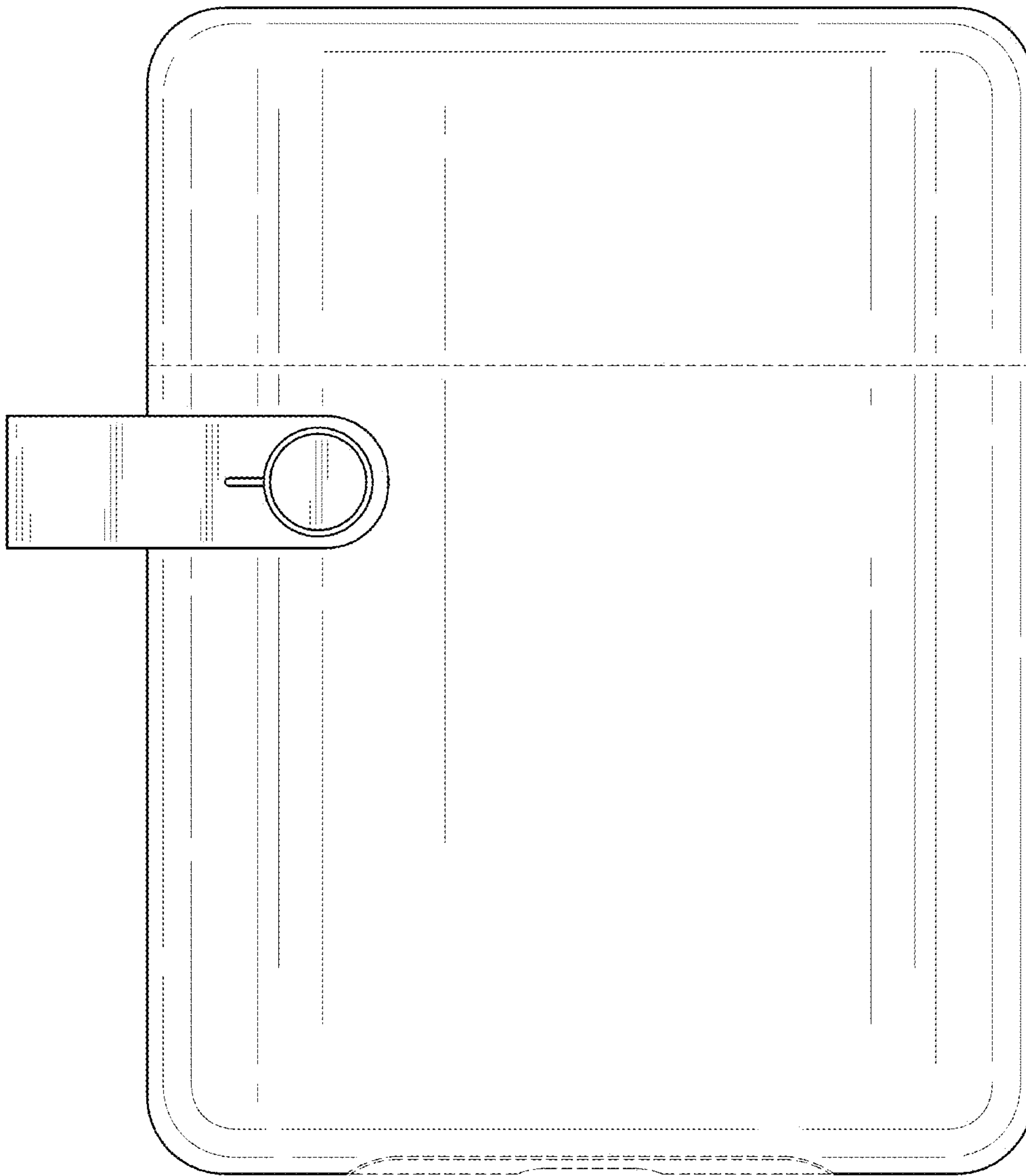


FIG. 6

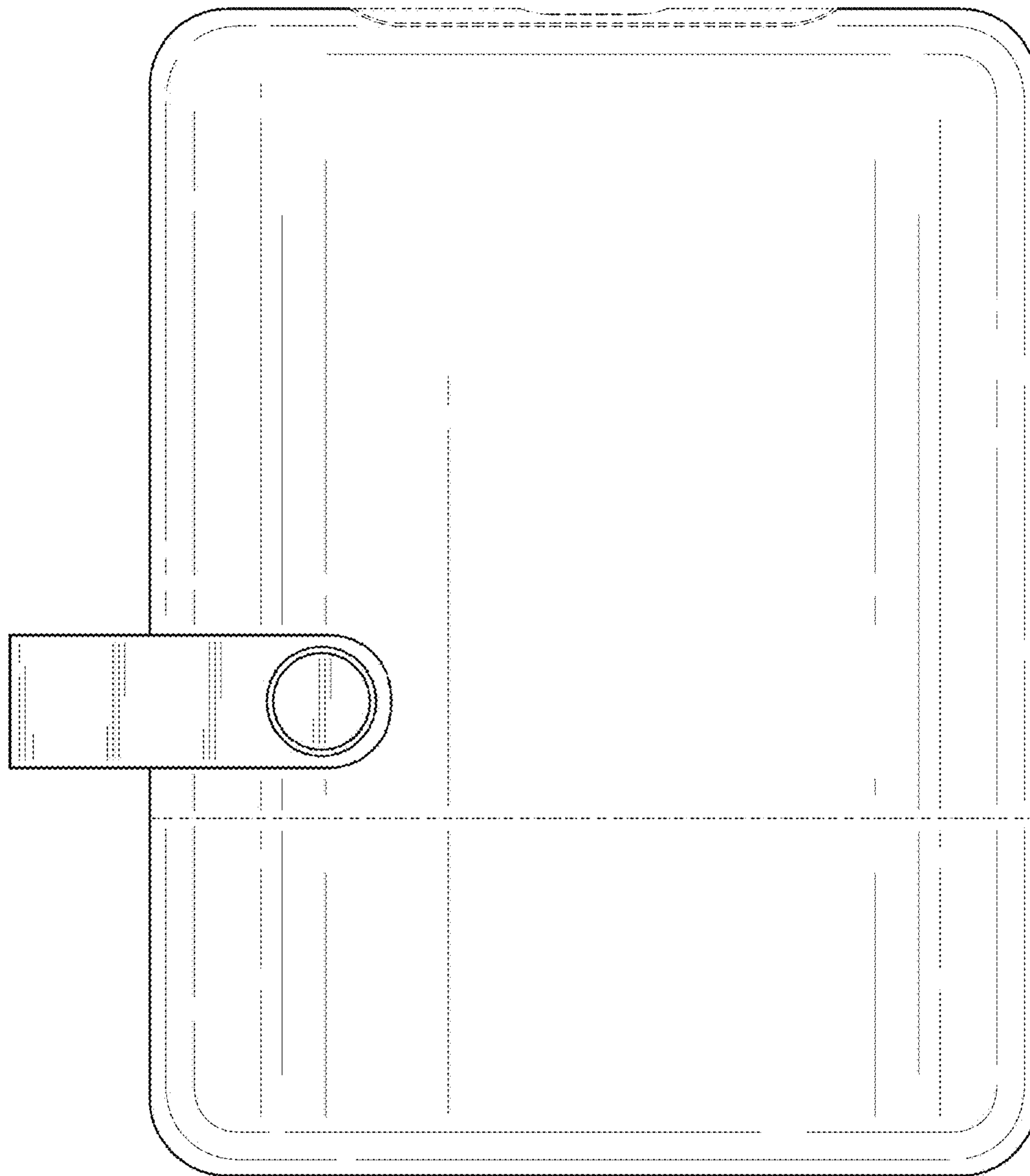


FIG. 7