



US00D819631S

(12) **United States Design Patent** (10) **Patent No.:** **US D819,631 S**
Matsumiya et al. (45) **Date of Patent:** **** Jun. 5, 2018**

(54) **CONNECTION DEVICE FOR COMMUNICATION**

(71) Applicant: **MITUTOYO CORPORATION**,
Kawasaki, Kanagawa (JP)

(72) Inventors: **Sadayuki Matsumiya**, Sagamihara (JP); **Atsuya Niwano**, Tokyo (JP); **Yu Sugai**, Hadano (JP); **Shigeru Ohtani**, Kawasaki (JP); **Jun Odake**, Tokyo (JP)

(73) Assignee: **MITUTOYO CORPORATION**,
Kawasaki (JP)

(**) Term: **15 Years**

(21) Appl. No.: **29/593,543**

(22) Filed: **Feb. 9, 2017**

(30) **Foreign Application Priority Data**

Sep. 27, 2016 (JP) 2016-020655

(51) **LOC (11) Cl.** **14-02**

(52) **U.S. Cl.**
USPC **D14/357**; D14/358; D14/433; D10/74;
D10/46

(58) **Field of Classification Search**
USPC D14/356, 357, 358, 361, 362, 363, 365,
D14/367, 370, 388, 432, 434, 203.1,
D14/203.6, 204, 240, 242, 299, 125, 129,
D14/130, 140, 155, 168, 188, 195, 300,
D14/302, 314, 348, 351, 496, 142, 433;
D13/103, 107, 108, 123, 152, 158, 162,
D13/162.1, 163, 168, 184, 199; D10/46,
D10/47, 49, 52, 58, 61, 65, 66, 74, 75,
D10/103, 104.1
CPC ... H04W 88/08; H04W 88/085; H04W 88/00;
H04W 88/005; H04W 88/02; H04W
88/12; H04W 88/14; H04W 88/16; H04W
88/18; H04W 4/00; H04W 16/26; H01Q
1/02; H01Q 1/2291; H01Q 1/246; H01Q
1/42; H04B 1/38

See application file for complete search history.

(56) **References Cited**

U.S. PATENT DOCUMENTS

D188,130 S * 6/1960 Stuckrath D10/46
D272,443 S * 1/1984 Wong D14/155
D324,344 S * 3/1992 Collister D10/46
D327,879 S * 7/1992 Lou D14/357
D327,880 S * 7/1992 Lou D14/357
D331,394 S * 12/1992 Kobayashi D14/242

(Continued)

OTHER PUBLICATIONS

Measuring instruments. (Design—©Questel) orbit.com.[online PDF] 13 pgs. Print Dates range from Feb. 7, 2012 to Jan. 20, 2017. [Retrieved on Mar. 13, 2018] <https://sobjprd.questel.fr/export/QPTUJ214/pdf2/163a97d6-8d01-447f-af50-490453fb1c47-201618.pdf>.*

(Continued)

Primary Examiner — Susan Bennett Hattan
Assistant Examiner — Marie D. Fast Horse
(74) *Attorney, Agent, or Firm* — Oliff PLC

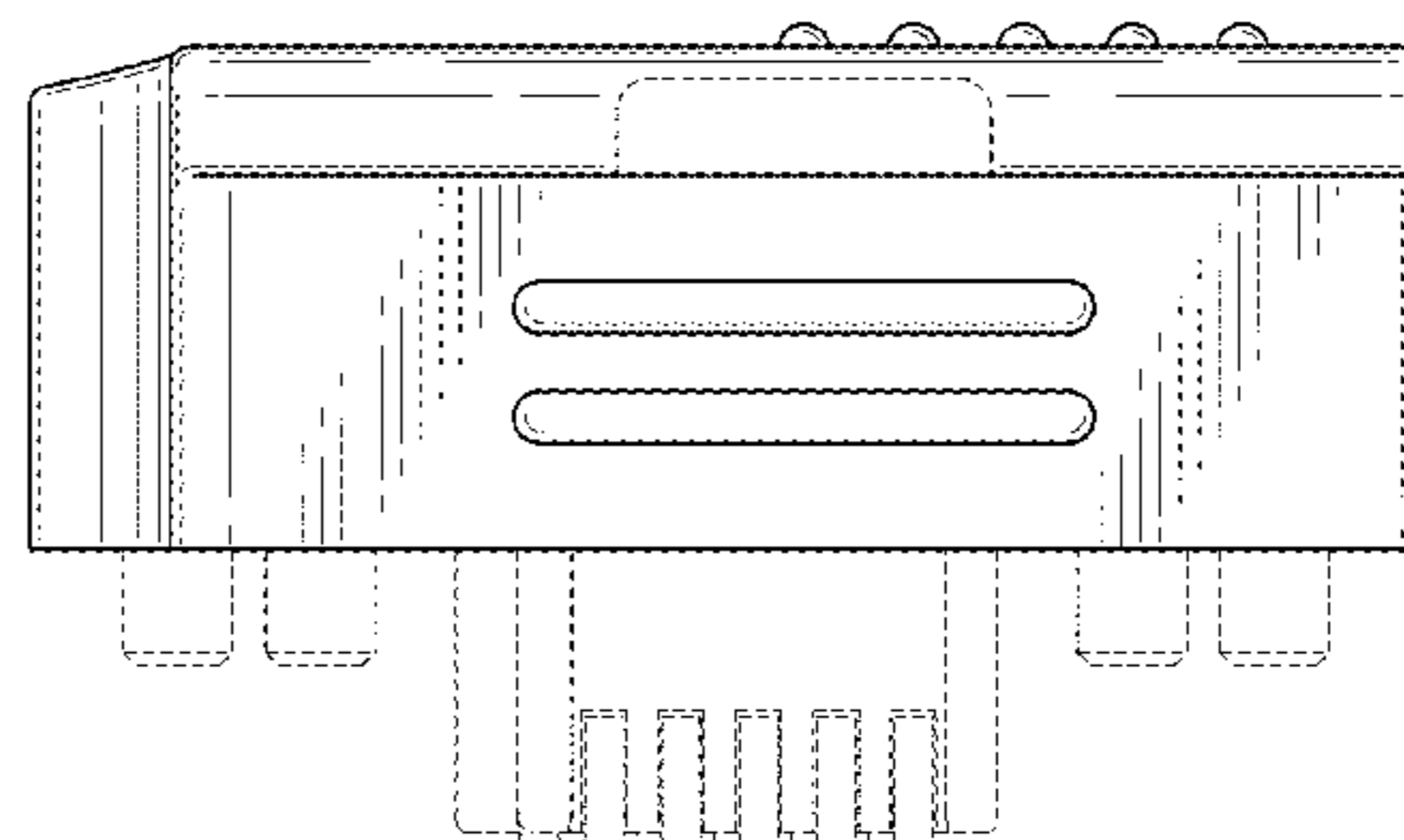
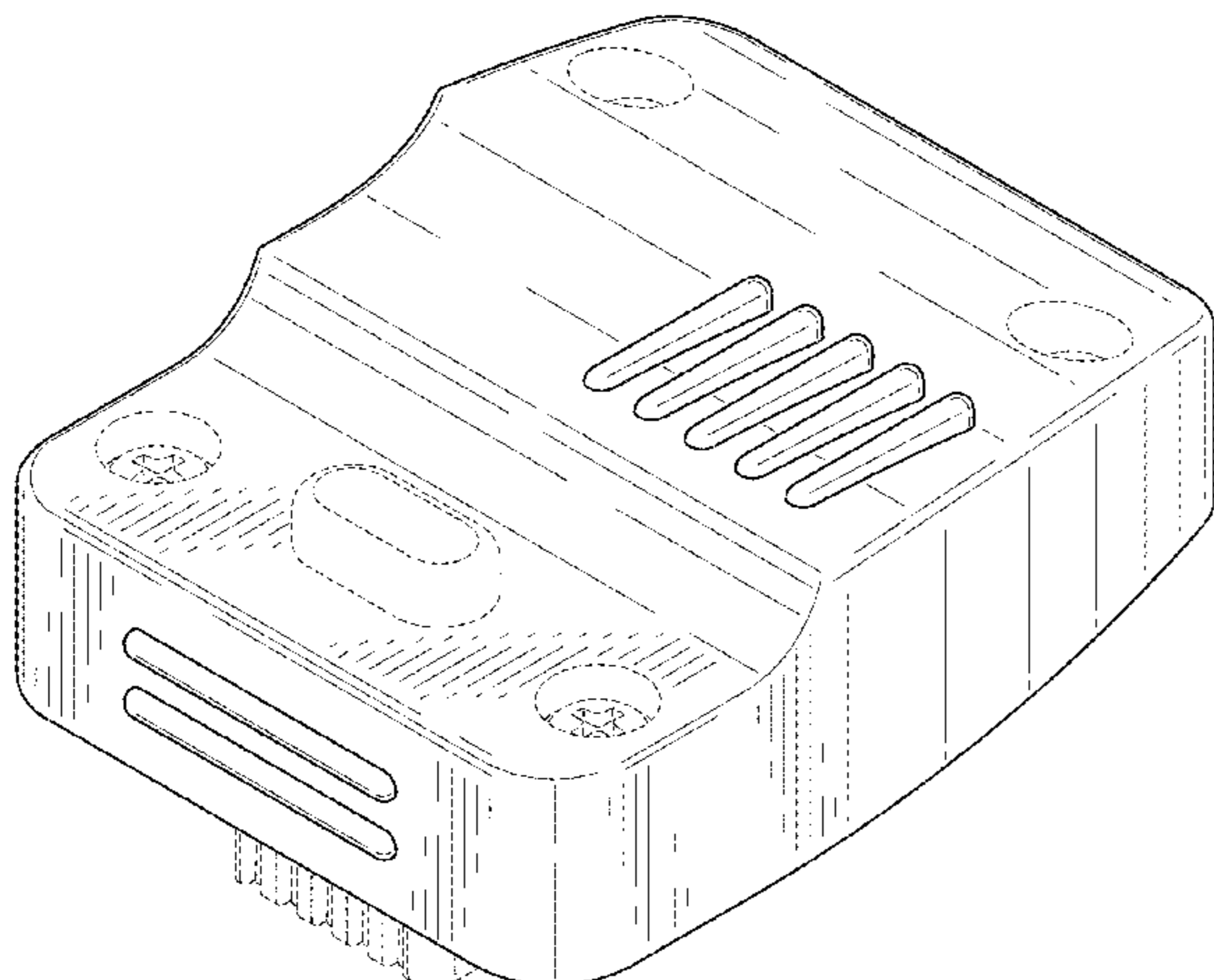
(57) **CLAIM**

The ornamental design for a connection device for communication, as shown and described.

DESCRIPTION

FIG. 1 is a front, top, right-side perspective view of the connection device for communication;
FIG. 2 is a front elevational view thereof;
FIG. 3 is a rear elevational view thereof;
FIG. 4 is a top plan view thereof;
FIG. 5 is a bottom plan view thereof;
FIG. 6 is a right-side elevational view thereof; and,
FIG. 7 is a left-side elevational view thereof.
The broken lines depict unclaimed parts of the connection device, and thus form no part of the claimed design.

1 Claim, 6 Drawing Sheets



(56)

References Cited

U.S. PATENT DOCUMENTS

D331,395 S * 12/1992 Lou D14/357
 D338,193 S * 8/1993 Sasaki D14/433
 D340,059 S * 10/1993 Wetzel D14/433
 D347,593 S * 6/1994 Davis D10/104.1
 D351,601 S * 10/1994 Rak D14/242
 D352,033 S * 11/1994 Robertson, Jr. D14/188
 D357,427 S * 4/1995 Lee D10/104.1
 D358,380 S * 5/1995 Sakaguchi D14/357
 D359,287 S * 6/1995 Heberling D14/242
 D363,064 S * 10/1995 Rogov D14/433
 D363,289 S * 10/1995 Kobayashi D14/242
 D364,859 S * 12/1995 Fenton D14/357
 D365,529 S * 12/1995 Peroni D10/103
 D372,024 S * 7/1996 Carlson, Jr. D14/432
 D373,316 S * 9/1996 Walters D10/104.1
 D374,675 S * 10/1996 Sakai D14/242
 D376,329 S * 12/1996 Youabian D10/104.1
 D377,645 S * 1/1997 Iwamoto D14/385
 D383,454 S * 9/1997 Osit D14/402
 D391,942 S * 3/1998 Lee D14/341
 D393,480 S * 4/1998 Komuta D14/433
 D405,064 S * 2/1999 Iino D14/433
 D411,523 S * 6/1999 Talesfore D14/433
 D415,131 S * 10/1999 Chang D14/433
 D415,704 S * 10/1999 Carroll D10/104.1
 D423,503 S * 4/2000 Abdo D14/188
 D428,350 S * 7/2000 Weingartner D10/104.1
 D433,642 S * 11/2000 Bauman D10/104.1
 D434,991 S * 12/2000 Brooks D10/104.1
 D445,705 S * 7/2001 Kliegman D10/104.1
 D454,084 S * 3/2002 Bogen D10/104.1
 D460,452 S * 7/2002 Yoshie D14/358
 D471,543 S * 3/2003 Yang D14/240
 D472,163 S * 3/2003 Manivone D10/46
 D478,086 S * 8/2003 Chuang D14/433

6,769,603 B2 * 8/2004 Nagai G11B 20/10527
 235/375
 D496,346 S * 9/2004 Fuss D14/188
 D501,476 S * 2/2005 Quijano D14/352
 D507,273 S * 7/2005 Ibuki D14/433
 D509,214 S * 9/2005 Chung D14/240
 D535,279 S * 1/2007 Krieger D14/155
 D561,617 S * 2/2008 Ishii D10/65
 D570,232 S * 6/2008 Kaluza D10/46
 D581,303 S * 11/2008 Concari D10/104.1
 D585,048 S * 1/2009 Uchimura D14/155
 D596,614 S * 7/2009 Wilson D14/188
 D596,615 S * 7/2009 Wilson D14/188
 D651,103 S * 12/2011 Greenberg D14/358
 D688,959 S * 9/2013 Arvidsson D10/75
 D705,189 S * 5/2014 Chovin D14/159
 D712,761 S * 9/2014 Matsumiya D10/74
 D721,349 S * 1/2015 Sugai D14/159
 D727,906 S * 4/2015 Neumann D14/358
 D743,815 S * 11/2015 Janu D10/46
 D752,454 S * 3/2016 Miller D10/50
 D788,106 S * 5/2017 Lin D14/356
 D788,776 S * 6/2017 Marzette, Jr. D14/358
 D789,361 S * 6/2017 Ali D14/358
 D791,767 S * 7/2017 Ali D14/358
 D798,296 S * 9/2017 Ali D14/358
 D805,409 S * 12/2017 Matsumiya D10/62
 D806,027 S * 12/2017 Ceravalo D13/110
 D809,944 S * 2/2018 Kawahara D10/53

OTHER PUBLICATIONS

Measurement Data Wireless Communication System. U-WAVE. Mitutoyo Corporation. Catalog No. E12000. <https://www.mitutoyo.co.jp/eng/products/keisokusystem/pdf/U-WAVE.pdf>.

* cited by examiner

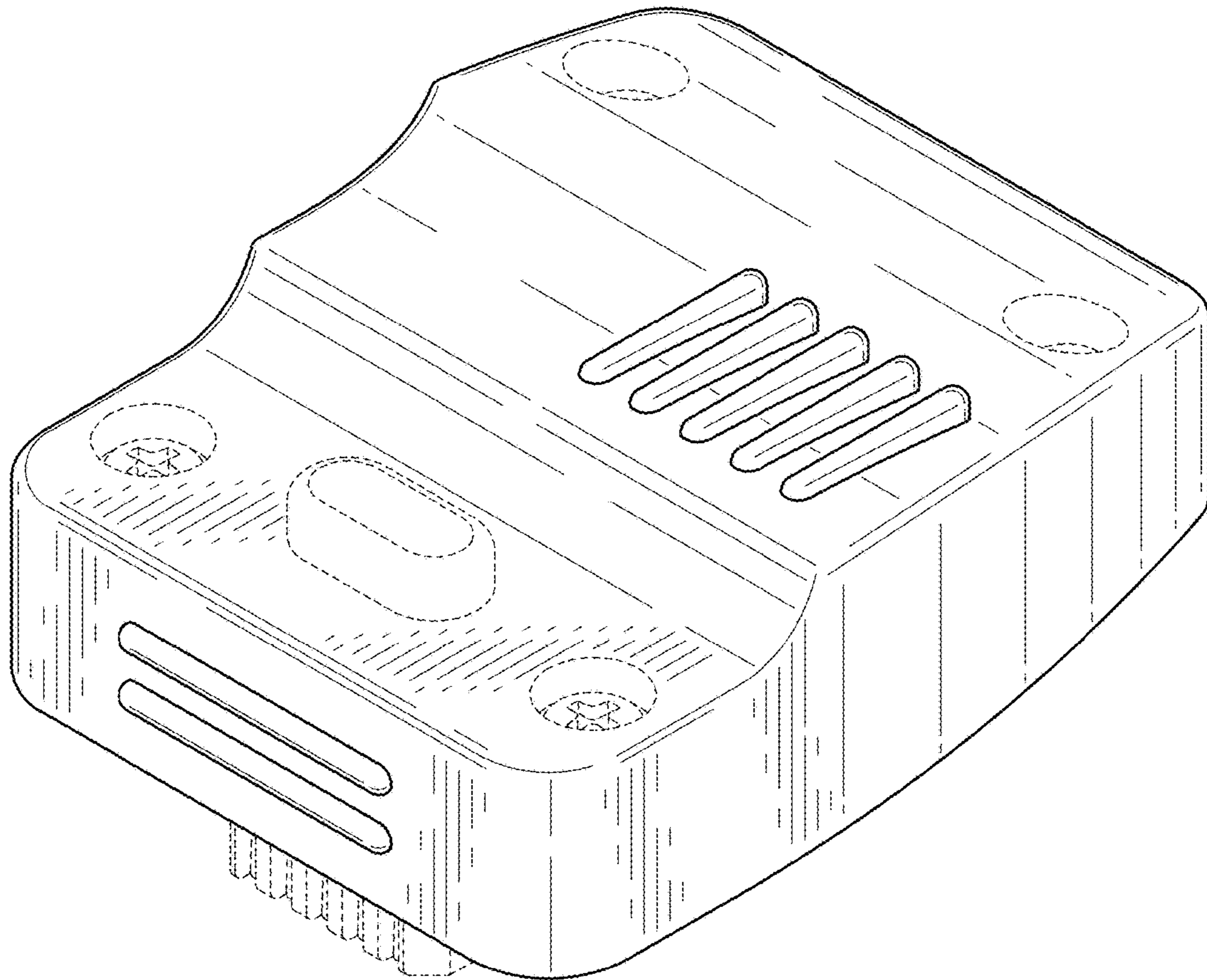


FIG. 1

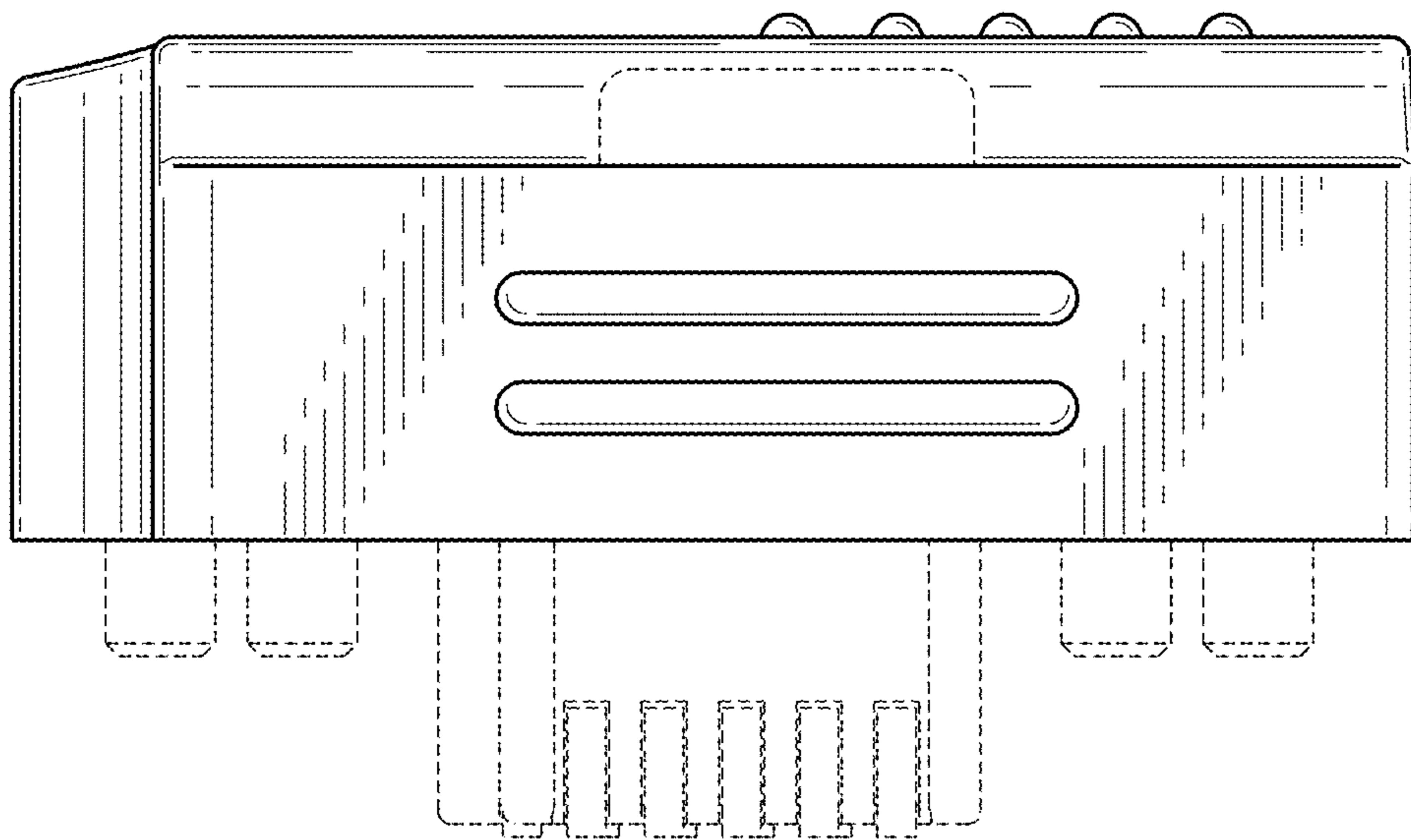


FIG. 2

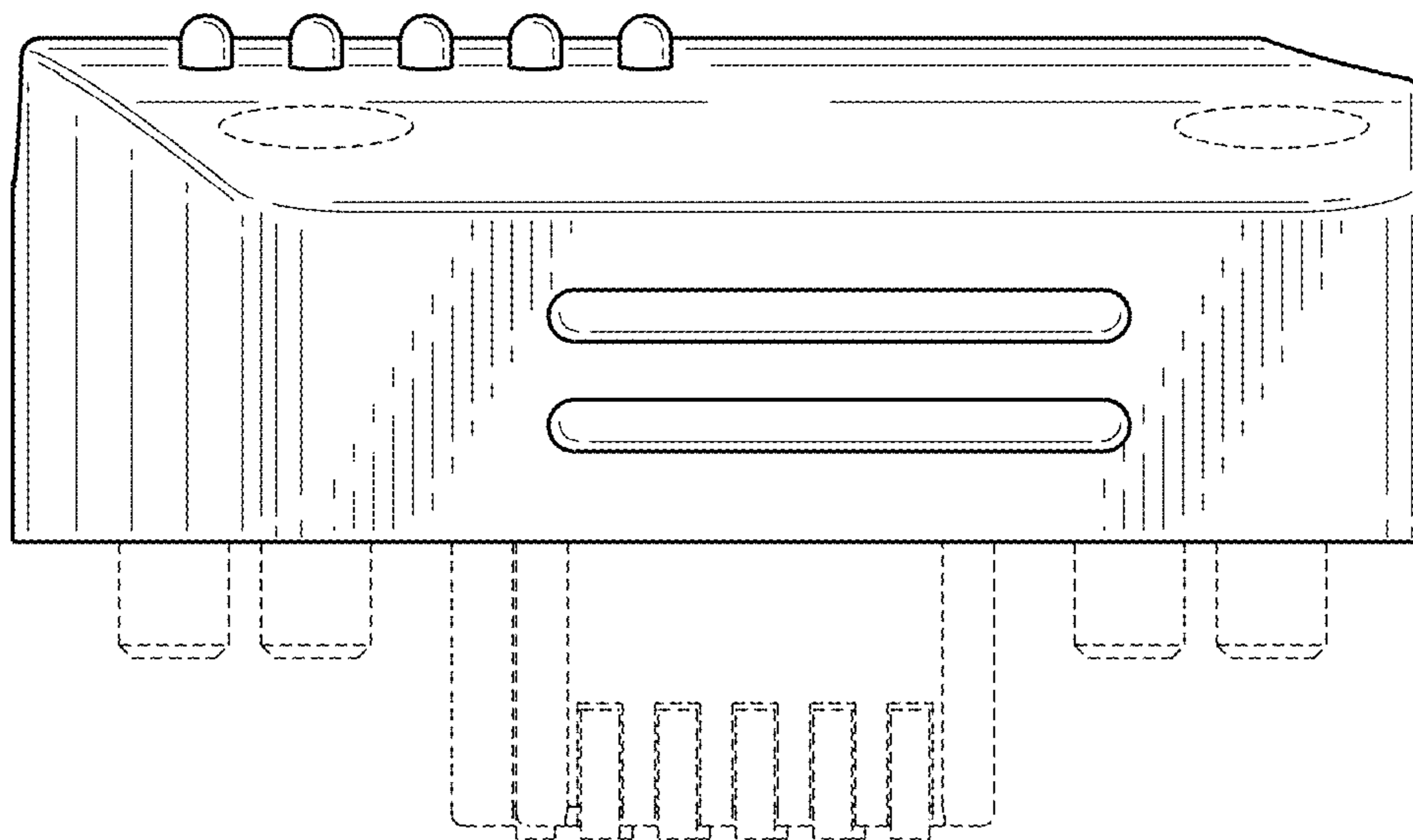


FIG. 3

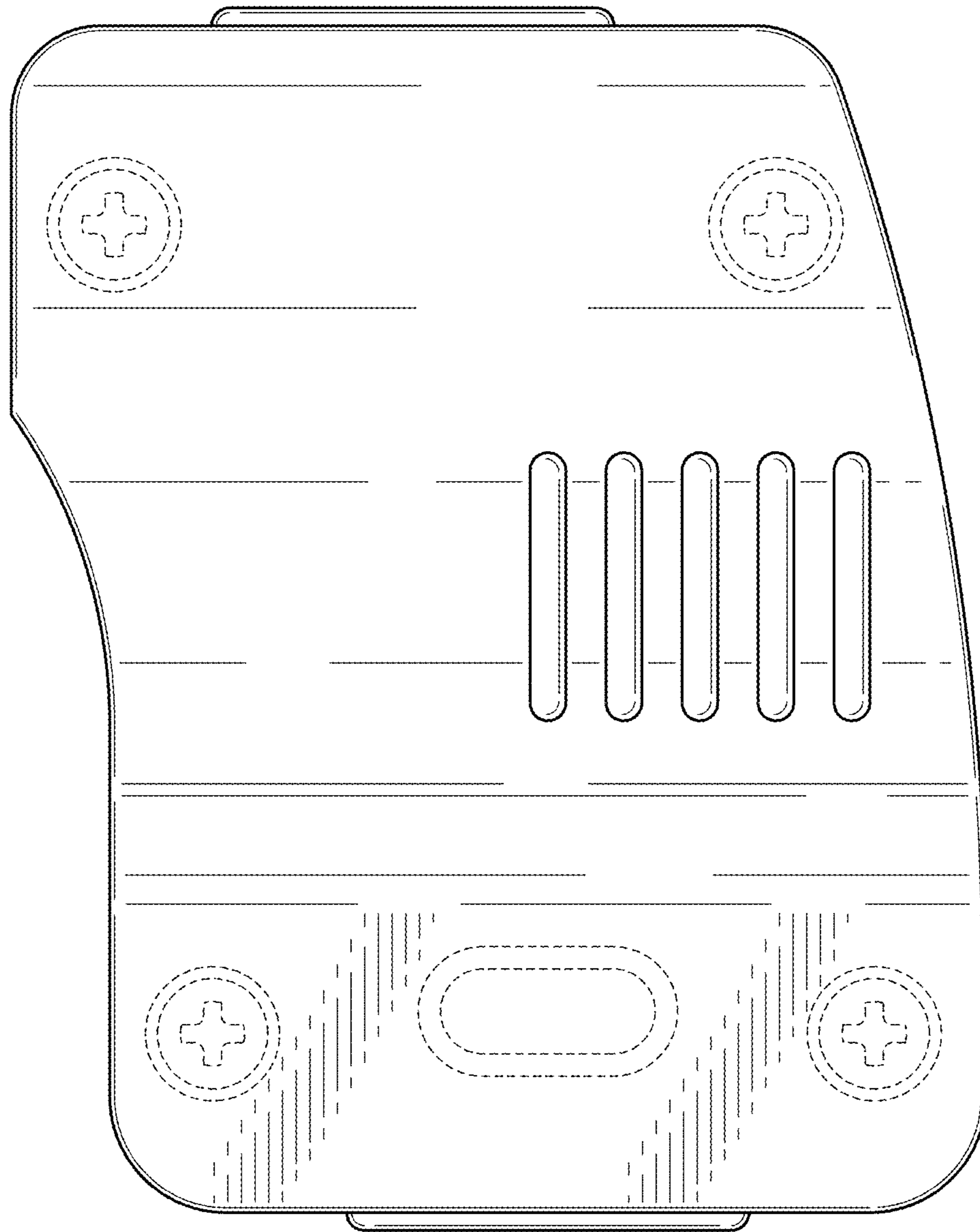


FIG. 4

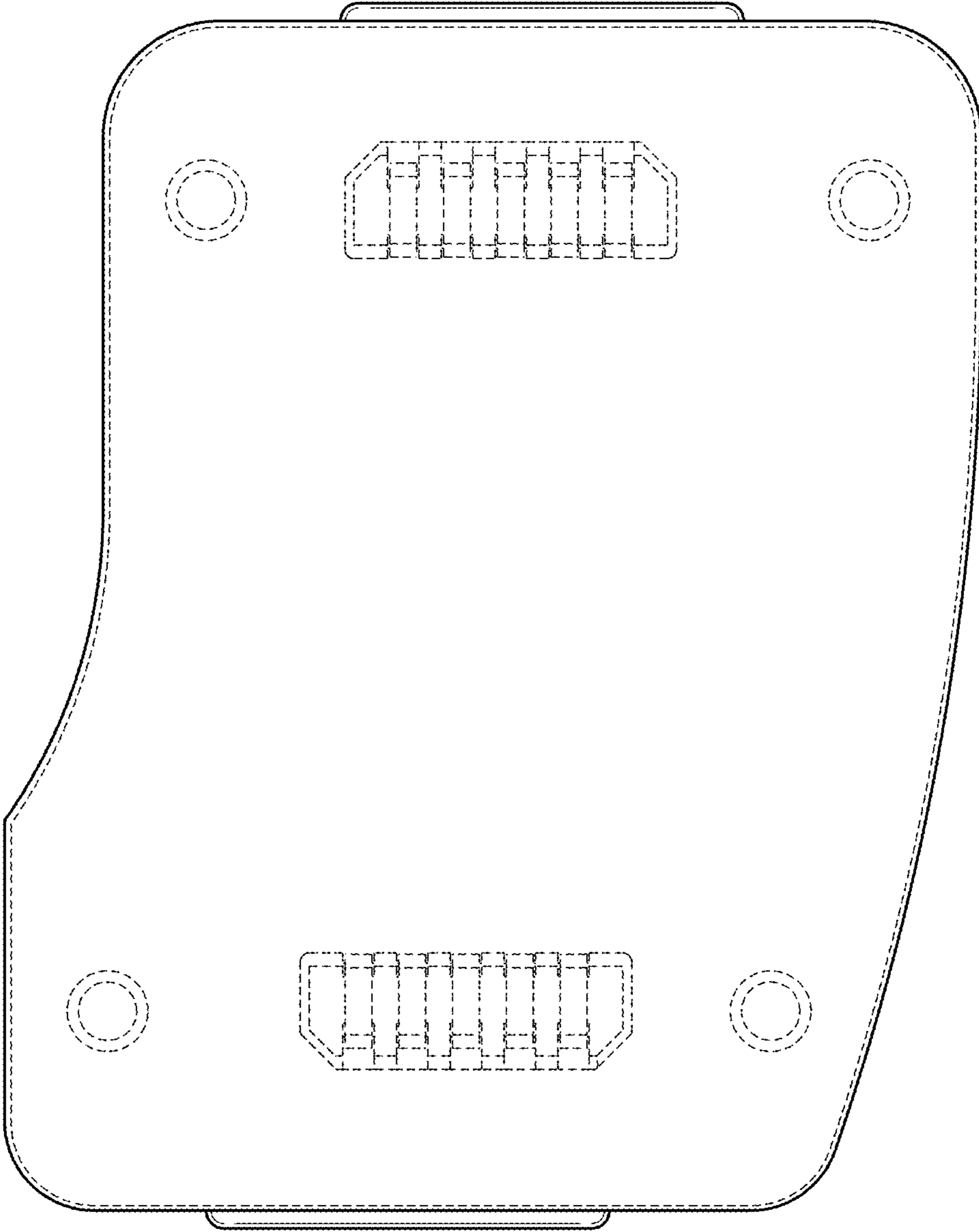


FIG. 5

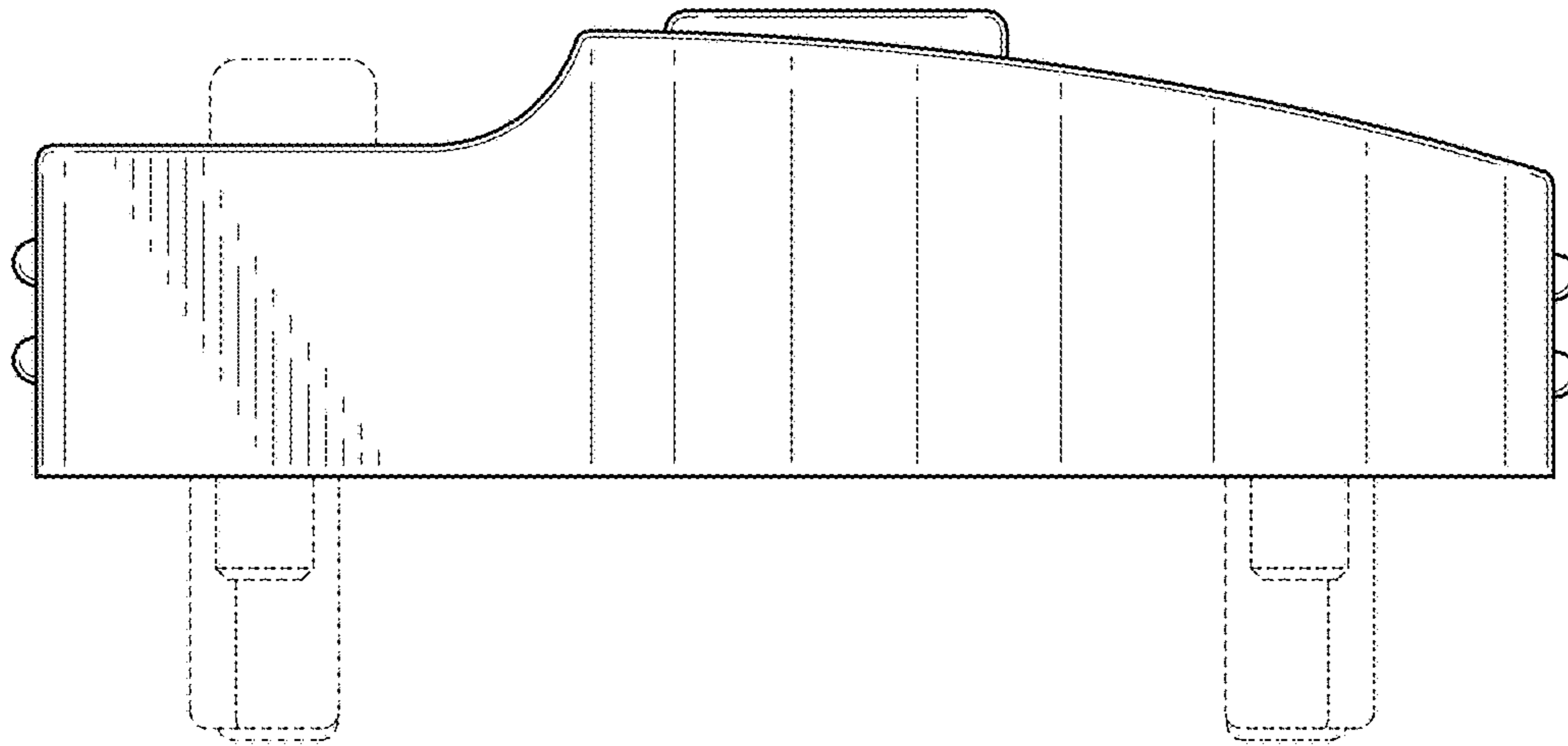


FIG. 6

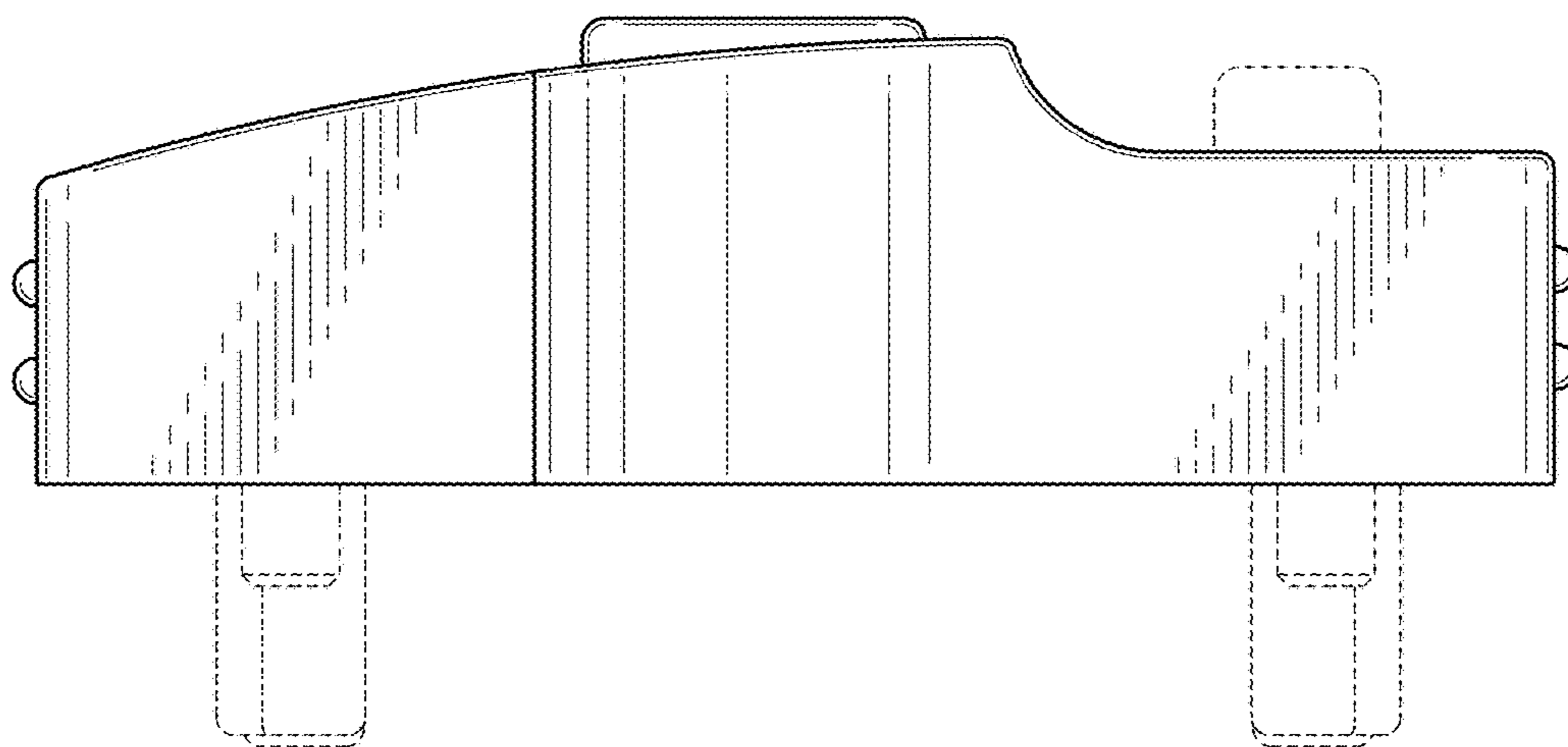


FIG. 7