



US00D819628S

(12) **United States Design Patent**
Park et al.

(10) **Patent No.:** **US D819,628 S**
(45) **Date of Patent:** **** Jun. 5, 2018**

(54) **ELECTRONIC DEVICE**

(71) Applicant: **Samsung Electronics Co., Ltd.**,
Suwon-si (KR)

(72) Inventors: **Sang Il Park**, Seoul (KR); **Se O Lee**,
Seongnam-si (KR); **Young Joong Jun**,
Seoul (KR)

(73) Assignee: **Samsung Electronics Co., Ltd.**,
Suwon-si (KR)

(**) Term: **14 Years**

(21) Appl. No.: **29/499,789**

(22) Filed: **Aug. 19, 2014**

(30) **Foreign Application Priority Data**

Feb. 22, 2014 (KR) 30-2014-0009016

(51) **LOC (11) Cl.** **14-03**

(52) **U.S. Cl.**
USPC **D14/345; D14/248**

(58) **Field of Classification Search**
USPC D14/203.4, 341, 345, 346, 138 AD,
D14/138 R, 138 G, 138 AC, 138 C, 248,
(Continued)

(56) **References Cited**

U.S. PATENT DOCUMENTS

5,189,632 A * 2/1993 Paajanen G06F 1/1616
455/556.2
D680,531 S * 4/2013 Honda D14/345
(Continued)

OTHER PUBLICATIONS

Youm Flexible OLED Display Commercial: Samsung CES 2013,
Jan. 9, 2013, [online], [site visited Jan. 31, 2017]. Retrieved from
<url:https://www.youtube.com/watch?v=6OYTyl3ipgk>.*

(Continued)

Primary Examiner — Jeffrey D Asch
Assistant Examiner — Tracey J Bell
(74) *Attorney, Agent, or Firm* — NSIP Law

(57) **CLAIM**

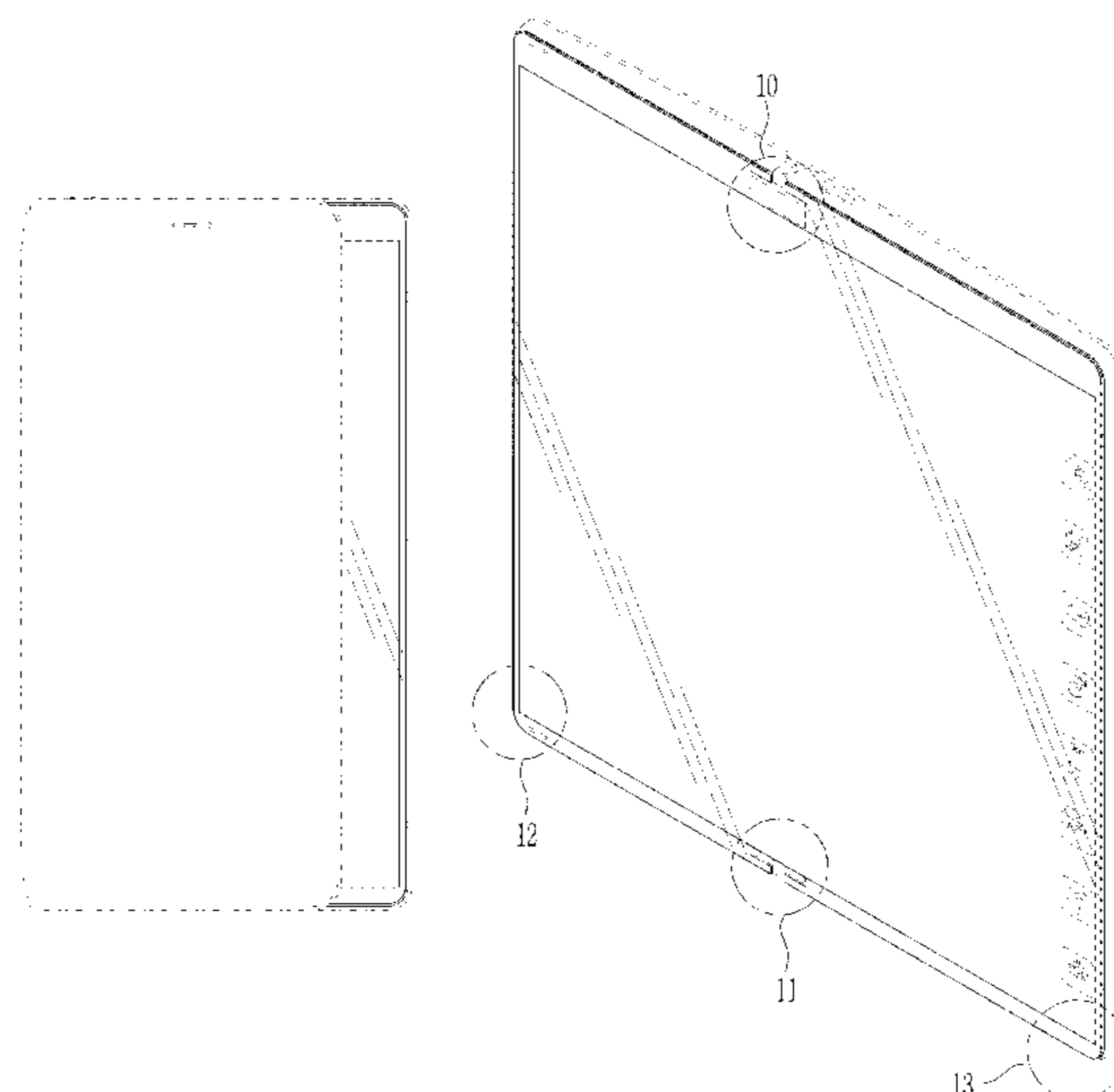
We claim the ornamental design for an electronic device, as shown and described.

DESCRIPTION

FIG. 1 is the front perspective view of an electronic device showing our new design;
FIG. 2 is the front view thereof;
FIG. 3 is the rear view thereof;
FIG. 4 is the left-side view thereof;
FIG. 5 is the right-side view thereof;
FIG. 6 is the top-side plan view thereof;
FIG. 7 is the bottom-side plan view thereof;
FIG. 8 is another front perspective view of the electronic device, in which features are provided in broken lines to illustrate an example of the electronic device in use;
FIG. 9 is another front perspective view of FIG. 8, in which the electronic device is provided in an unfolded position to illustrate another example of the electronic device in use;
FIG. 10 is an enlarged view of the encircled portion shown in FIG. 9;
FIG. 11 is an enlarged view of the encircled portion shown in FIG. 9;
FIG. 12 is an enlarged view of the encircled portion shown in FIG. 9; and,
FIG. 13 is an enlarged view of the encircled portion shown in FIG. 9.

The broken lines in the figures show portions of the electronic device which form no part of the claimed design. The dot-dot-dash broken lines encircling portions of the claimed design that are illustrated in enlargements form no part of the claimed design.

1 Claim, 11 Drawing Sheets



(58) **Field of Classification Search**

USPC D14/203.7, 496, 315–318, 330, 342, 250,
D14/138 AB, 138 AA, 241, 469;
361/676.27; D19/26
CPC G06F 1/1626; G06F 1/1652; H04M 1/027;
H04M 1/0202; H04M 1/0279; H04M
1/0235; H04M 1/0237; H04M 1/0239;
H04M 1/0266; H04M 1/0268; H04M
1/0295; B42D 3/00

See application file for complete search history.

(56) **References Cited**

U.S. PATENT DOCUMENTS

D681,000 S * 4/2013 Koh D14/203.4
8,630,408 B2 * 1/2014 Harata G06F 1/1628
379/433.13
D699,240 S * 2/2014 Kim D14/341
D708,175 S * 7/2014 Oakley D14/315
D708,180 S * 7/2014 Lee D14/345
D716,751 S * 11/2014 Lee D14/138 AB
D716,800 S * 11/2014 Lee D14/345
D719,541 S * 12/2014 Lee D14/138 AB
8,971,031 B2 * 3/2015 Mok G06F 1/1652
349/58
D745,001 S * 12/2015 Cho D14/341
D746,285 S * 12/2015 Okabe D14/345
D749,571 S * 2/2016 Park D14/203.4
D749,573 S * 2/2016 Park D14/203.4
D749,574 S * 2/2016 Park D14/203.4
D749,575 S * 2/2016 Park D14/203.4
D749,576 S * 2/2016 Park D14/203.4
D754,657 S * 4/2016 Kim D14/345
D757,718 S * 5/2016 Park D14/341
9,348,450 B1 * 5/2016 Kim G06F 1/1681
9,424,790 B2 * 8/2016 Cho G06F 1/3265
9,442,530 B2 * 9/2016 Maatta G06F 1/1656
D770,446 S * 11/2016 Cho D14/341
D772,225 S * 11/2016 Kim D14/341
D774,496 S * 12/2016 Kim D14/250
D778,253 S * 2/2017 Kwak D14/138 AB
D778,866 S * 2/2017 Lee D14/138 AB
9,568,948 B2 * 2/2017 Go G06F 1/1616
D781,854 S * 3/2017 Park D14/203.4
D782,439 S * 3/2017 Choo D14/138 AA
9,588,549 B2 * 3/2017 Endo G06F 1/1652
9,600,035 B2 * 3/2017 Park G06F 1/1681
9,606,763 B2 * 3/2017 Tsukamoto G06F 3/1423
D783,608 S * 4/2017 Park D14/203.4
9,619,061 B2 * 4/2017 Lee G06F 3/0412
9,625,947 B2 * 4/2017 Lee G06F 1/1616

9,625,955 B2 * 4/2017 Liao G06F 1/1681
9,626,938 B2 * 4/2017 Abe G09G 5/363
D786,210 S * 5/2017 Lee D14/138 AB
9,639,122 B2 * 5/2017 Choi G06F 1/1652
9,639,177 B2 * 5/2017 Kim G06F 3/0346
9,646,407 B2 * 5/2017 Lee G06T 15/00
D788,726 S * 6/2017 Lee D14/138 AB
D788,773 S * 6/2017 Seo D14/345
D788,774 S * 6/2017 Seo D14/345
9,710,021 B2 * 7/2017 Kauhaniemi G06F 1/1652
D798,257 S * 9/2017 Choo D14/138 AB
D800,112 S * 10/2017 Park D14/345
2006/0125784 A1 * 6/2006 Jang G06F 1/1616
345/156
2007/0097014 A1 * 5/2007 Solomon G06F 1/1616
345/1.1
2011/0241998 A1 * 10/2011 McKinney G06F 1/1616
345/168
2012/0236484 A1 * 9/2012 Miyake G06F 1/1616
361/679.01
2013/0148278 A1 * 6/2013 Honda G06F 1/1616
361/679.01
2013/0307816 A1 * 11/2013 Lee G06F 1/1652
345/174
2015/0338888 A1 * 11/2015 Kim G06F 1/1677
345/156
2015/0378397 A1 * 12/2015 Park G06F 1/1652
361/679.27
2016/0195901 A1 * 7/2016 Kauhaniemi G06F 1/1652
361/679.27
2016/0205792 A1 * 7/2016 Ahn H05K 5/0017
40/779
2017/0010634 A1 * 1/2017 Ahn G06F 1/1626
2017/0115701 A1 * 4/2017 Bae G06F 1/1652

OTHER PUBLICATIONS

Fresh Surface Phone Concept Has Foldable Body, by Kelvin on
Concept Phones, Oct. 5, 2017, [online], [site visited Jan. 4, 2018].
Retrieved from url:<https://www.concept-phones.com/microsoft/fresh-surface-phone-concept-foldable-body-video/>.
Lunark is a Dual Folding Smartphone With a Special Hinge
Included, by Kelvin on Concept Phones, Aug. 26, 2015,[online],
[site visited Jan. 4, 2018]. Retrieved from url:<https://www.concept-phones.com/cool-concepts/lunark-dual-folding-smartphone-special-hinge-included/>.
Lenovo Folio is a Foldable Tablet That Actually Works, by Kelvin
on Concept Phones, Jul. 22, 2017, [online], [site visited Jan. 4,
2018]. Retrieved from url:<https://www.concept-phones.com/lenovo/lenovo-folio-foldable-tablet-works-video/>.

* cited by examiner

FIG. 1

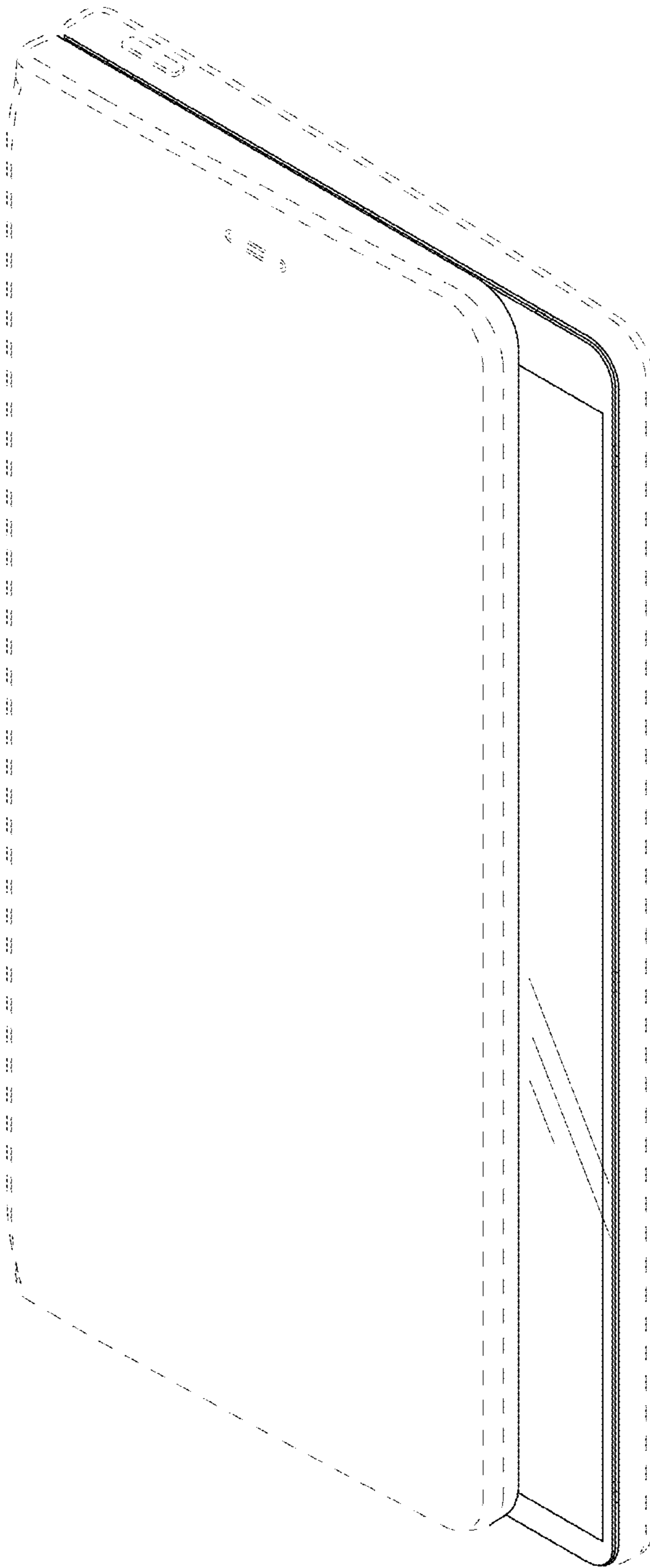


FIG. 2

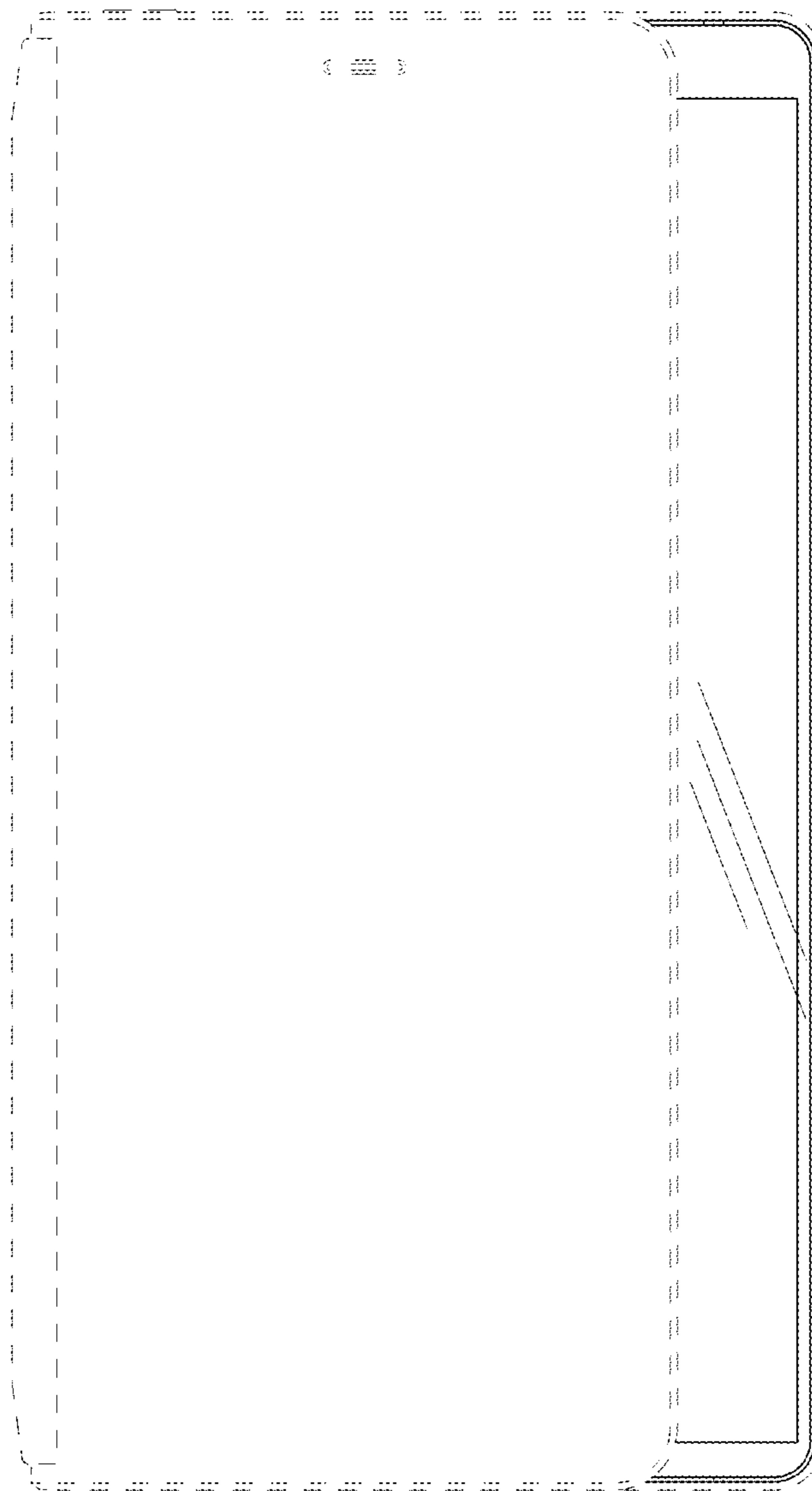


FIG. 3

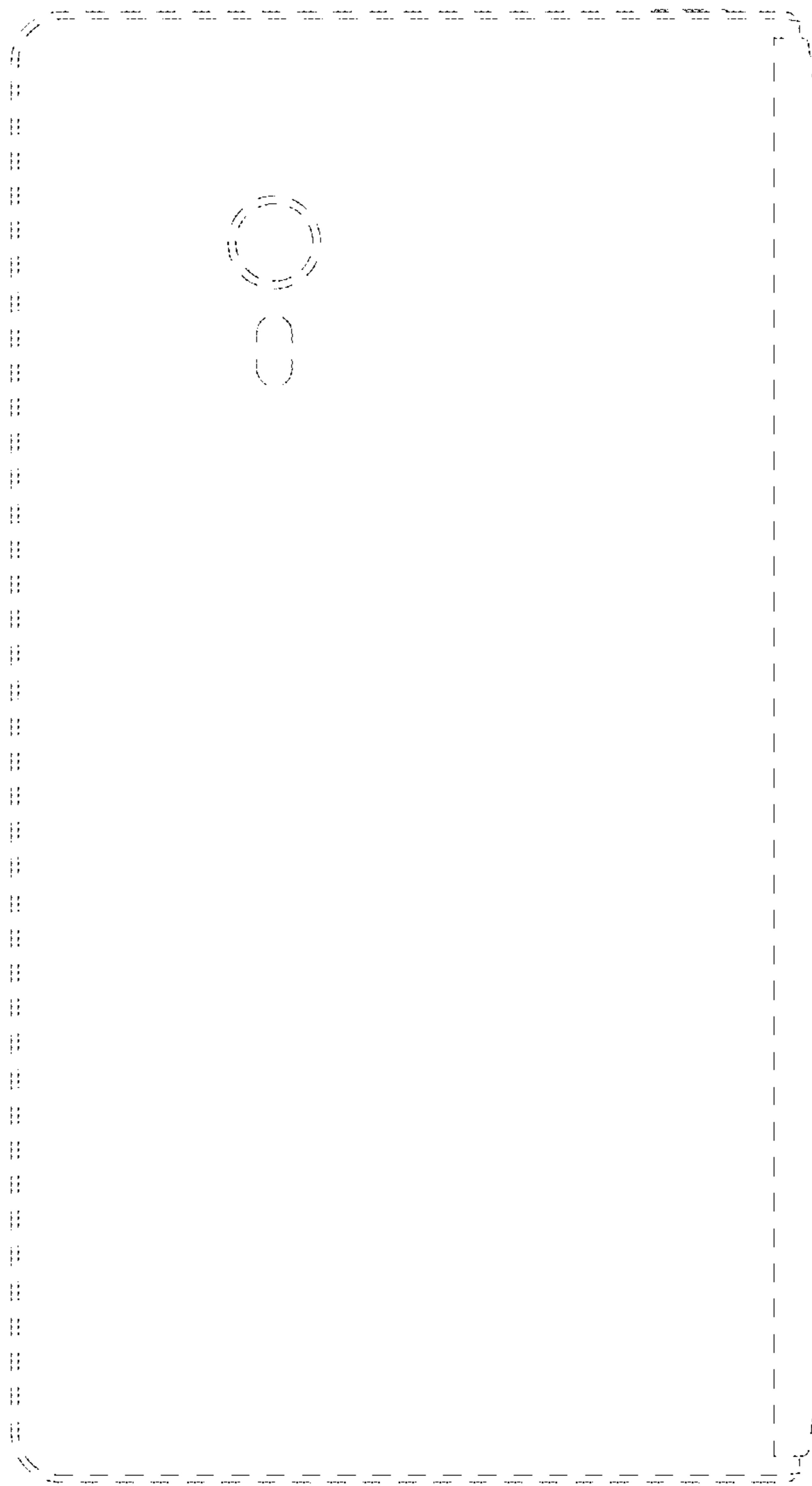


FIG. 4

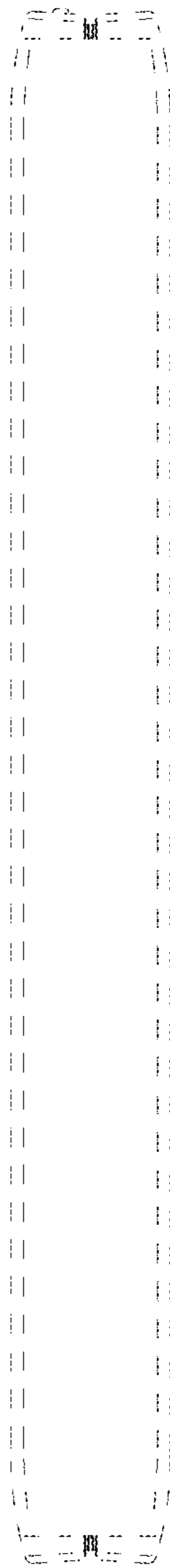


FIG. 5



FIG. 6

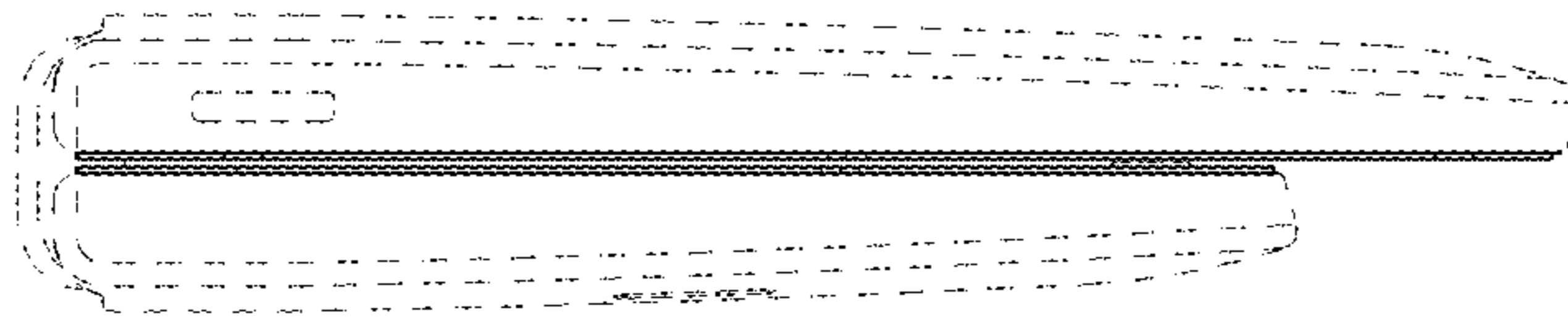


FIG. 7

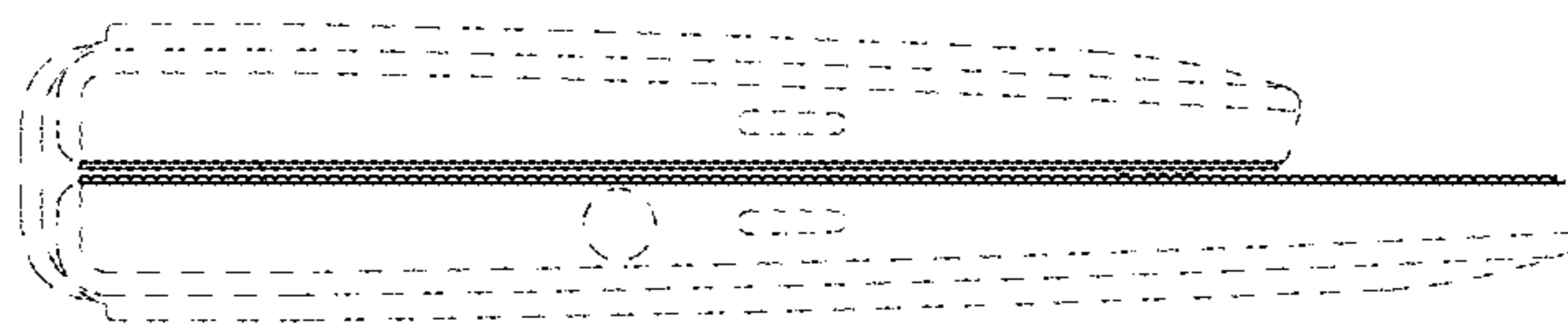


FIG. 8

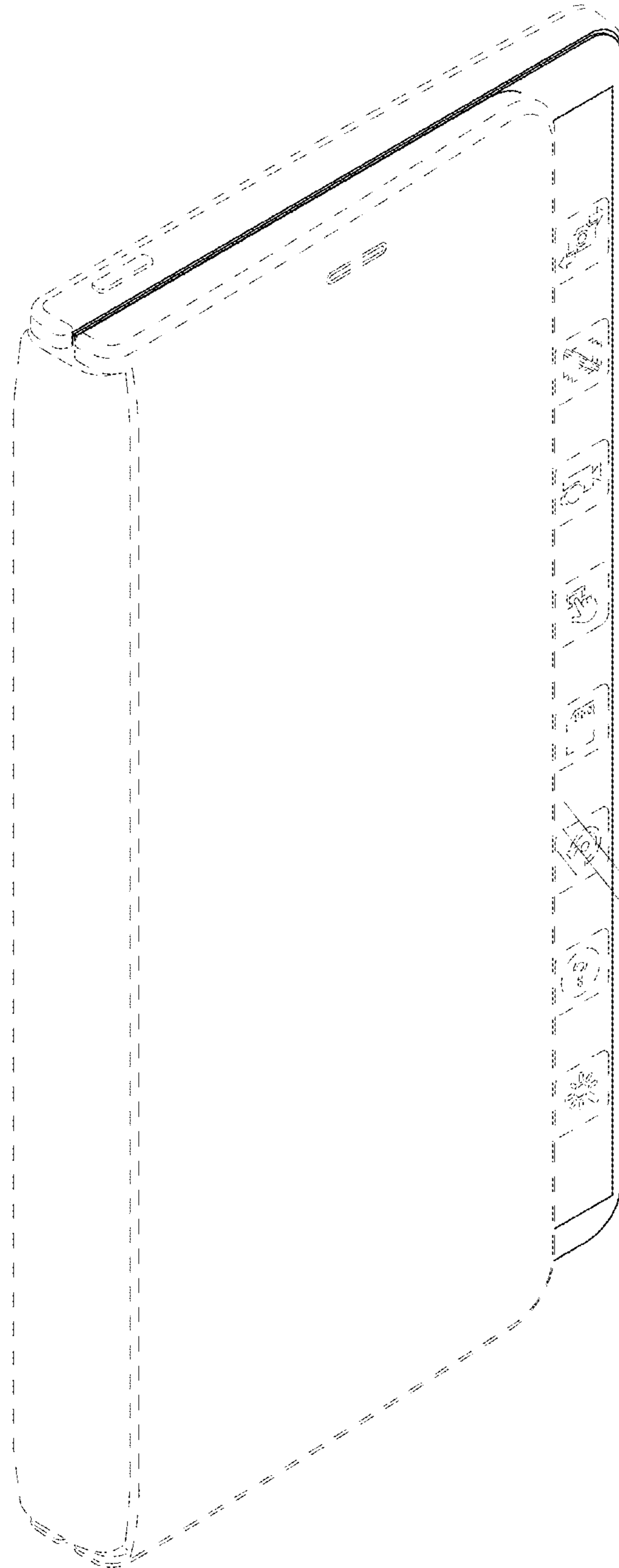


FIG. 9

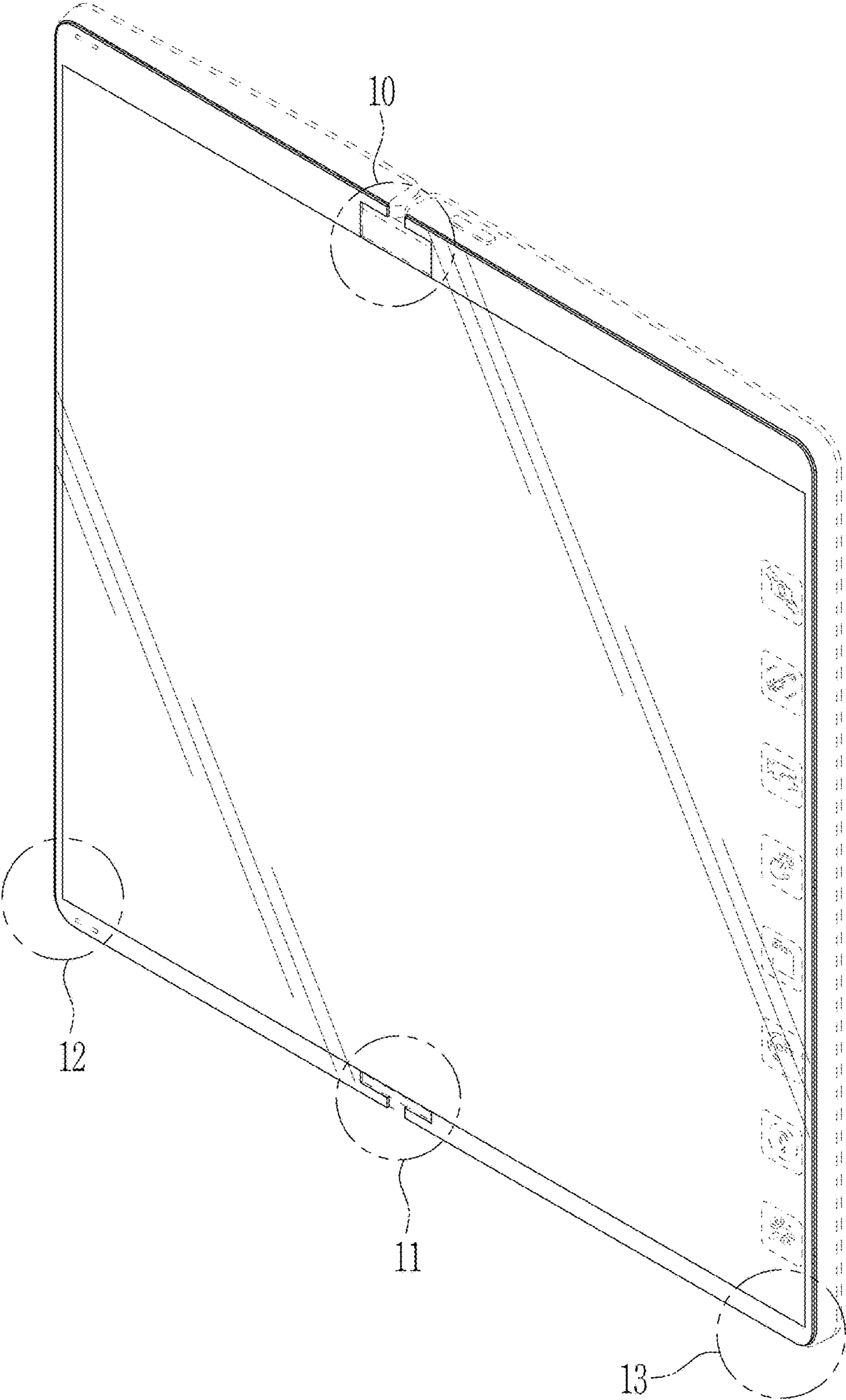


FIG. 10

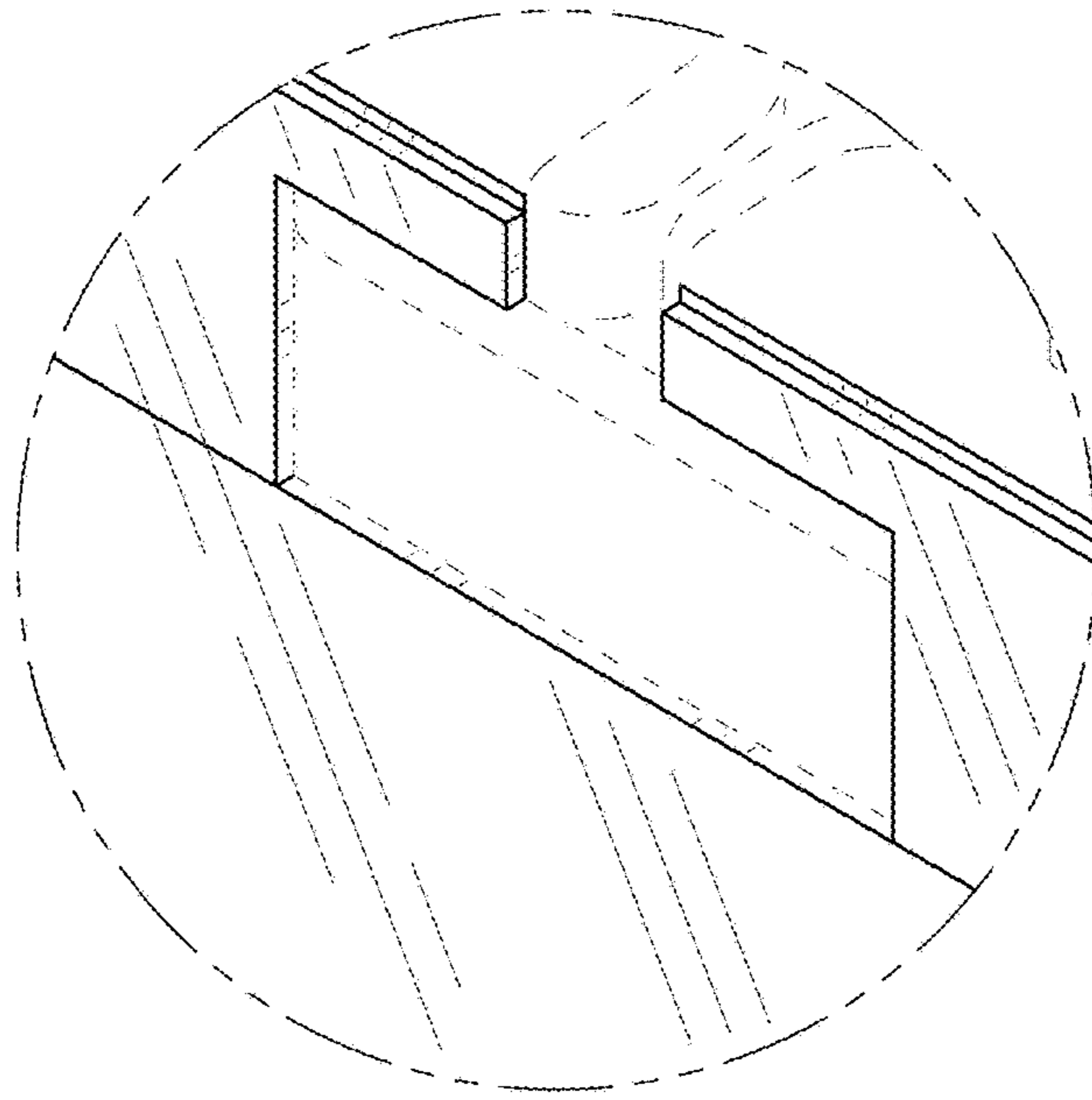


FIG. 11

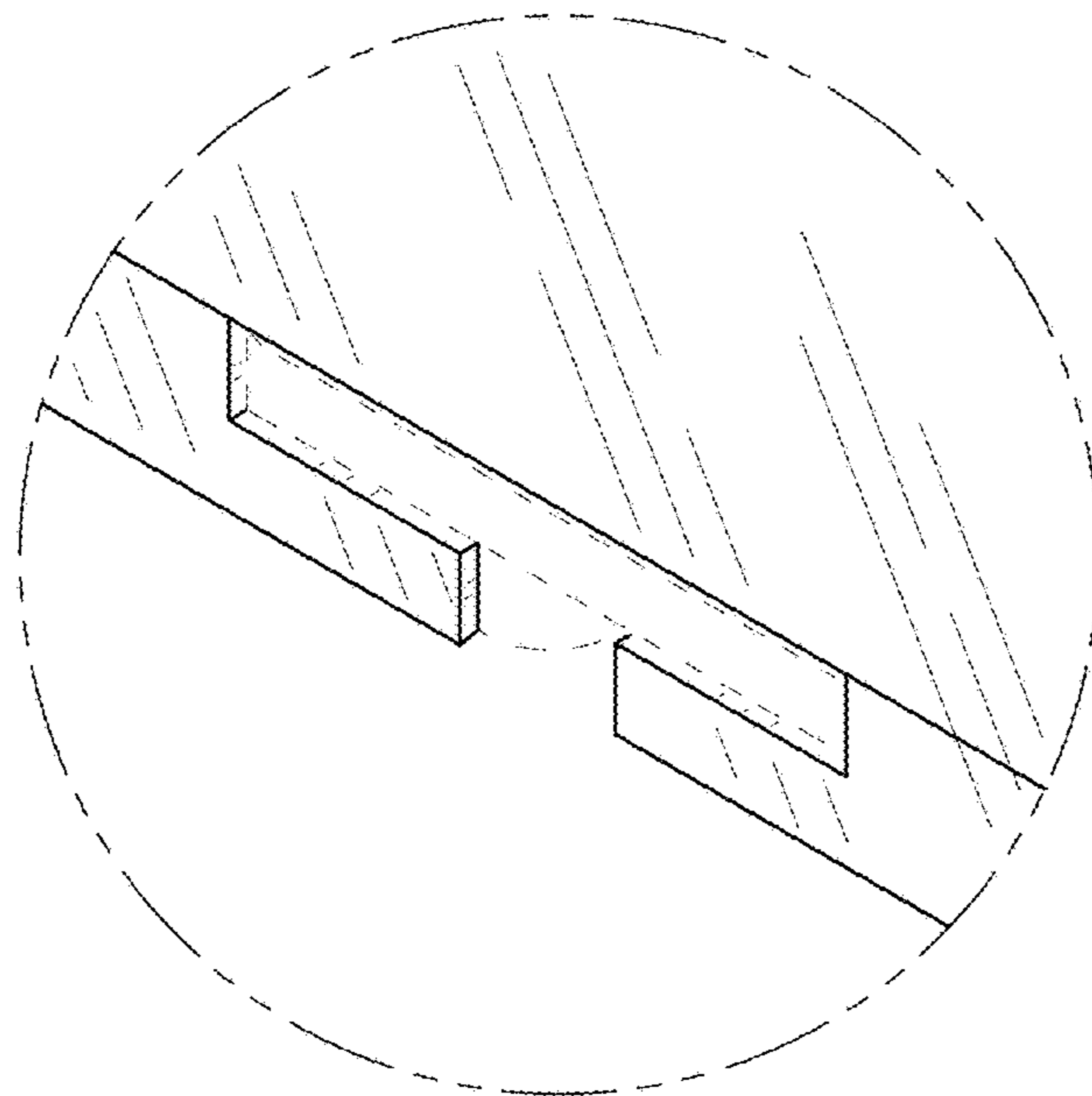


FIG. 12

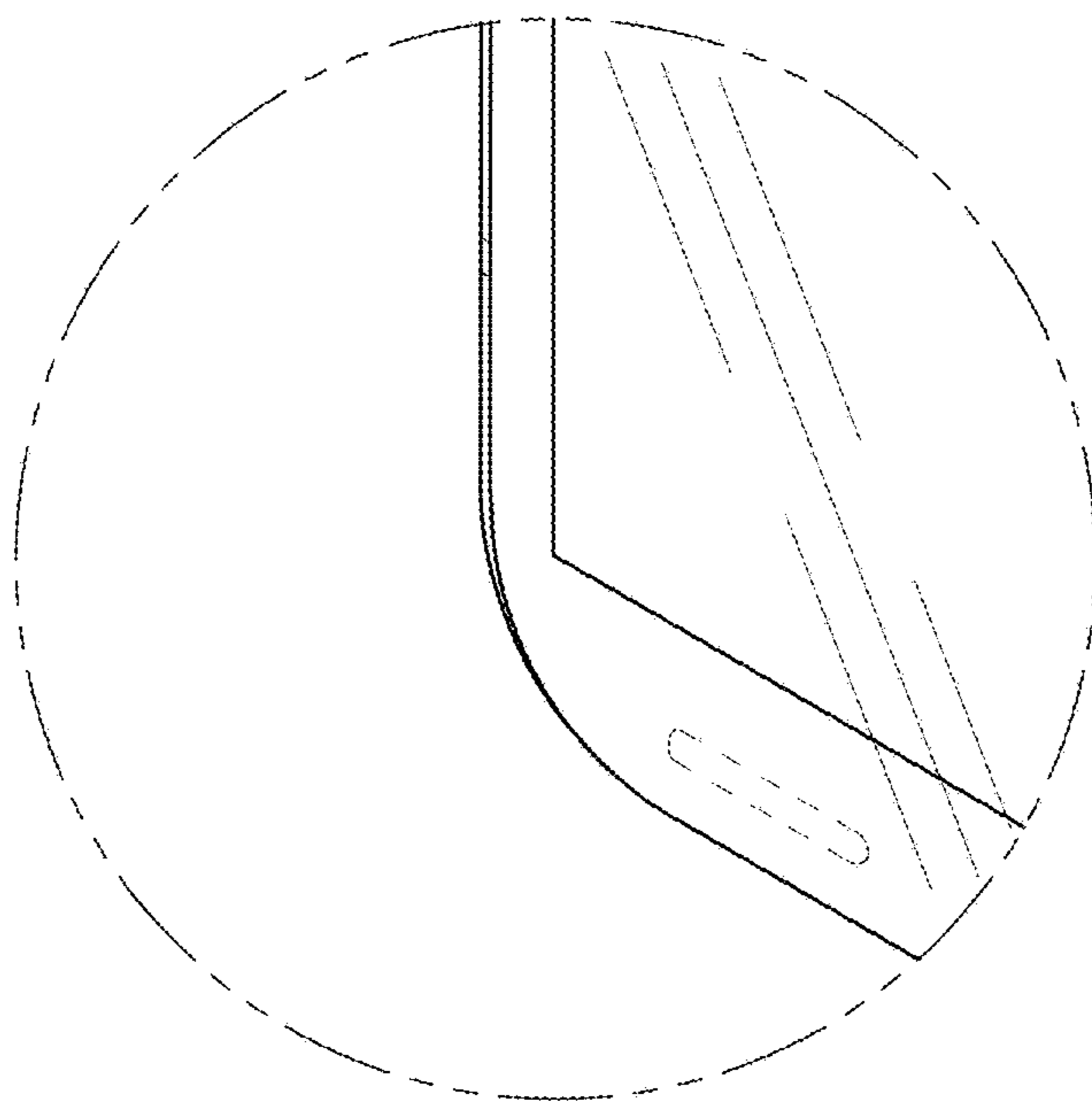


FIG. 13

