



US00D819622S

(12) **United States Design Patent**  
**Wright et al.**

(10) **Patent No.:** **US D819,622 S**  
(45) **Date of Patent:** **\*\* \*Jun. 5, 2018**

(54) **PHONE CASE**

(71) Applicant: **CATALYST LIFESTYLE LIMITED,**  
North Point (HK)

(72) Inventors: **Joshua Wright,** Hong Kong (CN);  
**June Lai,** Hong Kong (CN)

(73) Assignee: **CATALYST LIFESTYLE LIMITED,**  
North Point, Hong Kong (CN)

(\*) Notice: This patent is subject to a terminal disclaimer.

(\*\*) Term: **15 Years**

(21) Appl. No.: **29/609,964**

(22) Filed: **Jul. 7, 2017**

(51) **LOC (11) Cl.** ..... **14-03**

(52) **U.S. Cl.**  
USPC ..... **D14/250**

(58) **Field of Classification Search**  
USPC ..... D14/248, 439, 203.3–203.7, 217, 240,  
D14/447, 251–253, 238.1, 440, 250;  
D3/201, 218, 247, 269, 273, 301, 303;  
D13/103, 107–108, 119  
CPC ..... H04B 1/3888; H04M 1/0283; H04M  
1/0202; A45C 1/06; A45C 2011/002;  
A45C 11/00; A45C 13/02; A45F  
2005/026; A45F 2200/0525; A45F  
2200/0516

See application file for complete search history.

(56) **References Cited**

**U.S. PATENT DOCUMENTS**

|            |         |                   |
|------------|---------|-------------------|
| D484,874 S | 1/2004  | Chang et al.      |
| D613,282 S | 4/2010  | Richardson et al. |
| D616,430 S | 5/2010  | Fathollahi        |
| D616,879 S | 6/2010  | Kim et al.        |
| D624,064 S | 9/2010  | Esposito          |
| D625,303 S | 10/2010 | Kim               |
| D654,069 S | 2/2012  | Kwon et al.       |

|              |         |             |               |
|--------------|---------|-------------|---------------|
| D657,354 S   | 4/2012  | Kim         |               |
| D659,691 S   | 5/2012  | Kim et al.  |               |
| 8,208,980 B2 | 6/2012  | Wong et al. |               |
| D670,280 S * | 11/2012 | Rayner      | ..... D14/250 |
| D671,932 S   | 12/2012 | Azoulay     |               |

(Continued)

*Primary Examiner* — Carla J Wright

(74) *Attorney, Agent, or Firm* — Dinsmore & Shohl LLP

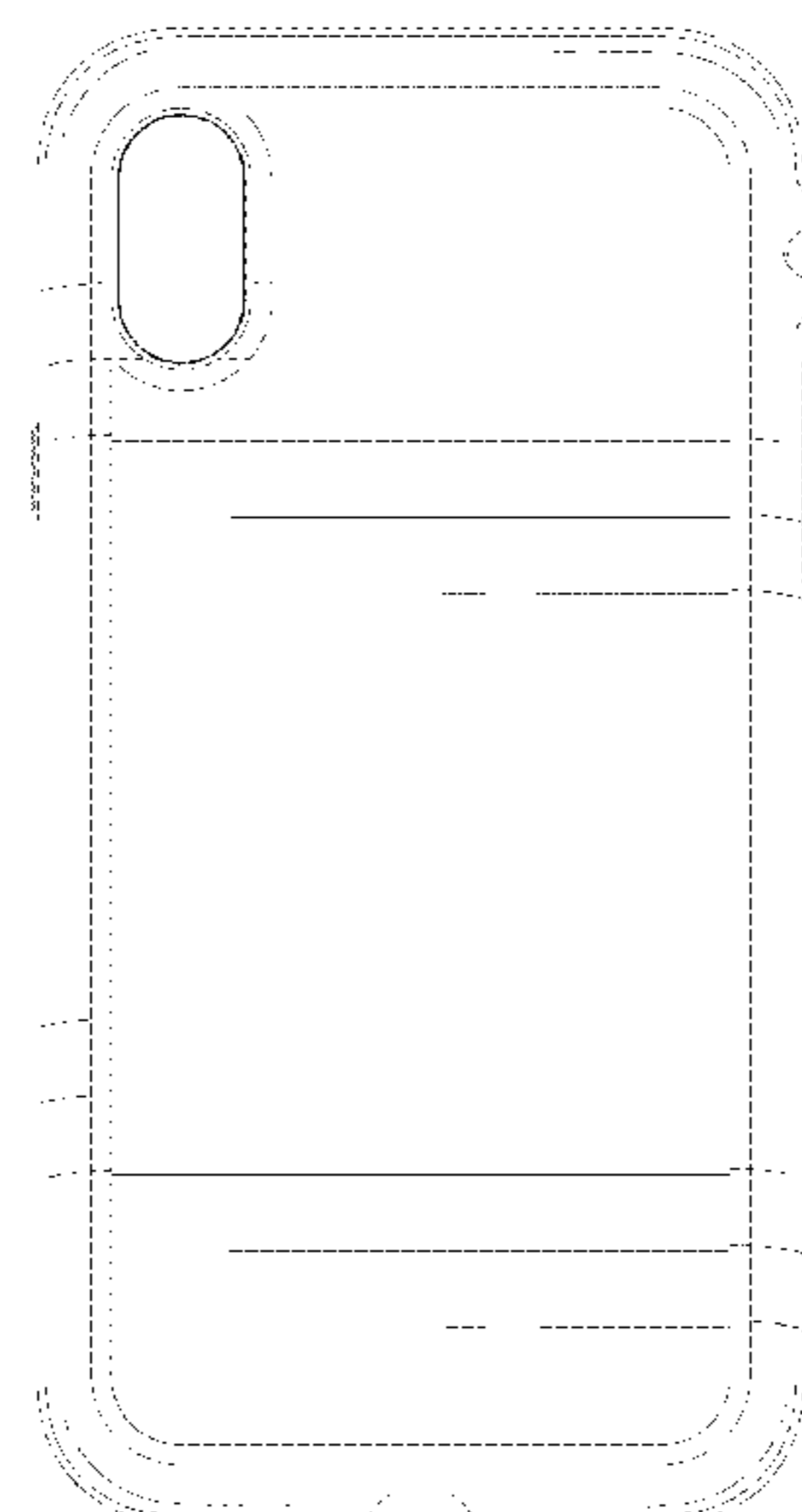
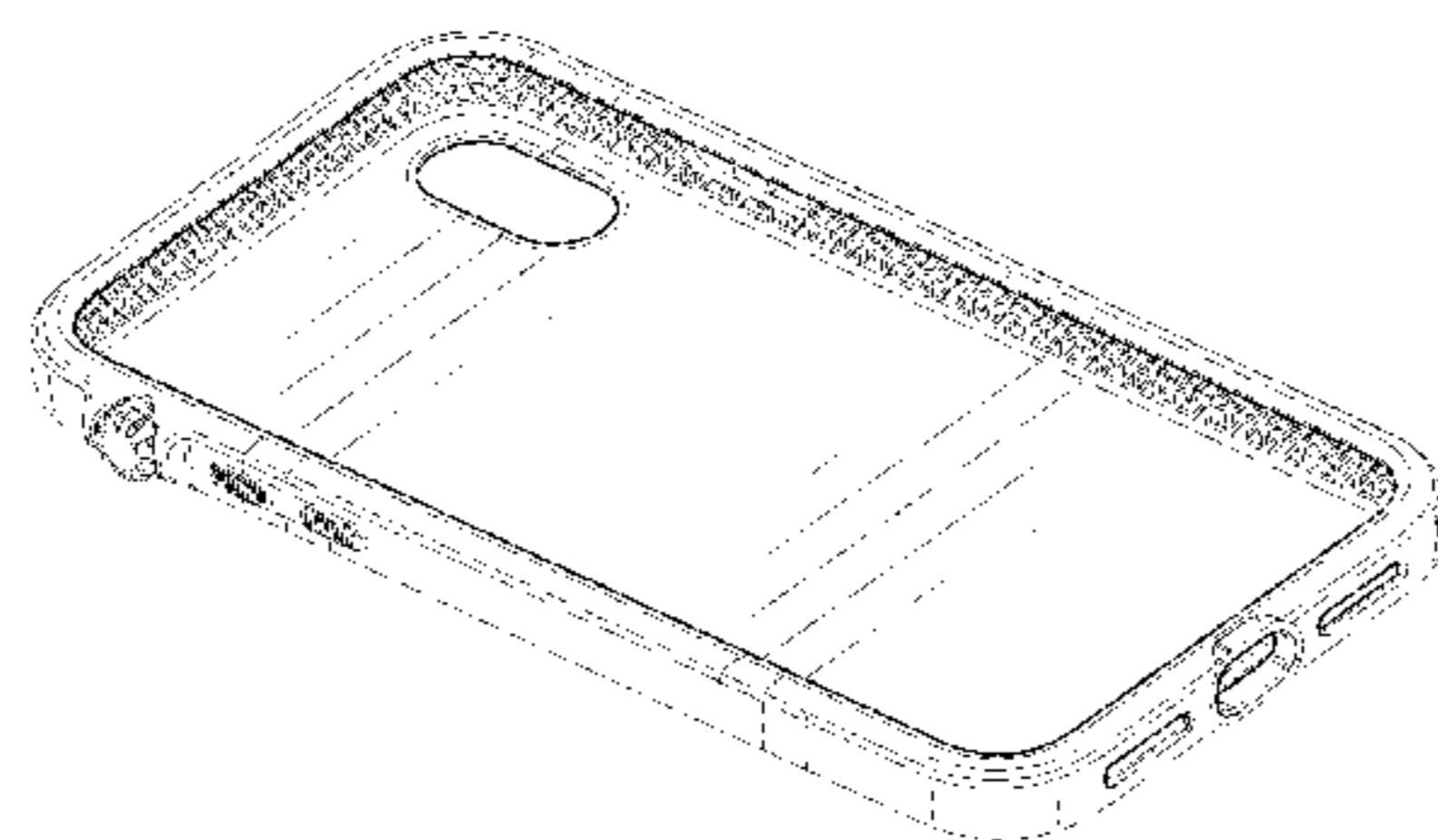
(57) **CLAIM**

The ornamental design for a phone case, as shown and described.

**DESCRIPTION**

FIG. 1 is a perspective view including a front, top and one side of a phone case showing our new design;  
 FIG. 2 is a perspective view including a front, bottom and an opposite side of the phone case;  
 FIG. 3 is a perspective view including a rear, top and an opposite side of the phone case;  
 FIG. 4 is a perspective view including a rear, bottom and one side of the phone case;  
 FIG. 5 is an elevational view of the front of the phone case of FIG. 1;  
 FIG. 6 is an elevational view of the rear of the phone case of FIG. 1;  
 FIG. 7 is a plan view of the top of the phone case of FIG. 1;  
 FIG. 8 is a plan view of the bottom of the phone case of FIG. 1;  
 FIG. 9 is an elevational view of the side of the phone case of FIG. 1;  
 FIG. 10 is an elevational view of the opposite side of the phone case of FIG. 1; and,  
 FIG. 11 is an enlarged detail view of the encircled portion of FIG. 1.  
 The dot-dash broken lines in FIGS. 1 and 11 delineate a portion of the claimed design that is shown on an enlarged scale in FIG. 11. The dot-dash broken lines form no part of the claimed design.

**1 Claim, 6 Drawing Sheets**



(56)

References Cited

U.S. PATENT DOCUMENTS

|              |         |                      |                 |         |                        |
|--------------|---------|----------------------|-----------------|---------|------------------------|
| D671,933 S   | 12/2012 | Rodgers              | D726,174 S      | 4/2015  | Wahlin                 |
| D676,432 S   | 2/2013  | Hasbrook et al.      | D727,883 S      | 4/2015  | Brand et al.           |
| D677,249 S   | 3/2013  | Li et al.            | 9,008,725 B2    | 4/2015  | Schmidt                |
| D677,250 S   | 3/2013  | Takamoto             | 9,008,738 B1    | 4/2015  | Dong                   |
| D678,871 S   | 3/2013  | Mishan et al.        | D729,786 S      | 5/2015  | Lee et al.             |
| D679,685 S   | 4/2013  | Cox                  | D730,338 S      | 5/2015  | Lee et al.             |
| 8,433,377 B1 | 4/2013  | Oh et al.            | D730,339 S      | 5/2015  | Lee et al.             |
| 8,442,602 B2 | 5/2013  | Wong et al.          | D730,341 S      | 5/2015  | Chan et al.            |
| 8,453,835 B2 | 6/2013  | So                   | 9,025,948 B2    | 5/2015  | Tages et al.           |
| D685,779 S   | 7/2013  | Schriefer et al.     | 9,031,623 B2    | 5/2015  | Yoo                    |
| D687,026 S   | 7/2013  | Ruvolo               | D731,472 S      | 6/2015  | Lee et al.             |
| D687,426 S   | 8/2013  | Requa                | D733,696 S      | 7/2015  | Burgett et al.         |
| D688,655 S   | 8/2013  | Rey-Hipolito et al.  | D735,182 S      | 7/2015  | Watkins et al.         |
| 8,504,126 B1 | 8/2013  | Maravilla et al.     | D735,184 S      | 7/2015  | Lee et al.             |
| D689,852 S   | 9/2013  | Azoulay              | D742,868 S      | 11/2015 | Odhwani et al.         |
| D690,292 S   | 9/2013  | Bibla et al.         | D742,869 S      | 11/2015 | Odhwani et al.         |
| D691,990 S * | 10/2013 | Rayner ..... D14/250 | D743,388 S      | 11/2015 | Fitzpatrick et al.     |
| D692,419 S   | 10/2013 | Rayner               | D745,505 S      | 12/2015 | Barfoot et al.         |
| 8,548,536 B1 | 10/2013 | Gunnip               | D745,506 S      | 12/2015 | Barfoot et al.         |
| D693,801 S * | 11/2013 | Rayner ..... D14/250 | D746,275 S      | 12/2015 | Mohammad               |
| D695,731 S   | 12/2013 | Adami                | D748,083 S      | 1/2016  | Peterson, III          |
| 8,616,422 B2 | 12/2013 | Adelman et al.       | D748,085 S      | 1/2016  | Merenda                |
| D697,504 S * | 1/2014  | Yang ..... D14/250   | D748,612 S      | 2/2016  | Chan et al.            |
| D698,772 S   | 2/2014  | Merenda              | D748,614 S      | 2/2016  | Ju                     |
| D700,598 S   | 3/2014  | Kim                  | D750,610 S      | 3/2016  | Chen                   |
| 8,671,553 B1 | 3/2014  | Raisch               | D755,171 S      | 5/2016  | Bae et al.             |
| 8,675,862 B1 | 3/2014  | Lin                  | D755,172 S      | 5/2016  | Lee et al.             |
| 8,676,280 B2 | 3/2014  | Kong                 | D756,340 S      | 5/2016  | Babichenko             |
| 8,676,281 B1 | 3/2014  | Caulder et al.       | D756,343 S      | 5/2016  | Wall et al.            |
| D703,656 S * | 4/2014  | Witter ..... D14/250 | D756,344 S *    | 5/2016  | Roberts ..... D14/250  |
| D704,688 S   | 5/2014  | Reivo et al.         | D757,703 S      | 5/2016  | Kanazawa               |
| D705,763 S   | 5/2014  | Fastman et al.       | D759,641 S      | 6/2016  | Lai et al.             |
| 8,718,731 B1 | 5/2014  | Tang                 | D759,644 S      | 6/2016  | Penn                   |
| D707,216 S   | 6/2014  | Lee                  | D759,645 S      | 6/2016  | Penn                   |
| 8,759,675 B2 | 6/2014  | Rajeswaran et al.    | D761,241 S      | 7/2016  | Nguyen et al.          |
| 8,761,388 B2 | 6/2014  | Chen et al.          | D761,780 S      | 7/2016  | Nguyen et al.          |
| D709,057 S * | 7/2014  | Wilson ..... D14/250 | D763,239 S      | 8/2016  | Chan et al.            |
| D709,486 S   | 7/2014  | Lin                  | D764,449 S      | 8/2016  | Chan et al.            |
| 8,763,802 B2 | 7/2014  | Ellis-Brown          | D765,629 S *    | 9/2016  | Watt ..... D14/250     |
| 8,774,446 B2 | 7/2014  | Merenda              | D768,122 S      | 10/2016 | Buffone                |
| 8,774,881 B2 | 7/2014  | Johnson              | D768,612 S      | 10/2016 | Wright et al.          |
| 8,777,003 B2 | 7/2014  | Hong et al.          | D768,617 S      | 10/2016 | Merenda                |
| D712,890 S   | 9/2014  | McCormac et al.      | D771,027 S      | 11/2016 | Prstojevich et al.     |
| D712,893 S   | 9/2014  | Lee                  | D772,208 S      | 11/2016 | Merenda                |
| D712,895 S   | 9/2014  | Lee et al.           | D772,854 S *    | 11/2016 | Igarashi ..... D14/250 |
| D713,833 S   | 9/2014  | Wilkey               | D772,855 S      | 11/2016 | Ju                     |
| D713,834 S   | 9/2014  | Almstrom             | D772,858 S      | 11/2016 | Hu                     |
| D714,278 S   | 9/2014  | Case et al.          | D773,448 S      | 12/2016 | Armillotti             |
| 8,825,124 B1 | 9/2014  | Davies et al.        | D775,113 S      | 12/2016 | Lim et al.             |
| D714,769 S * | 10/2014 | Rayner ..... D14/250 | D775,114 S      | 12/2016 | Khalili                |
| D714,770 S   | 10/2014 | Nolan et al.         | D775,617 S      | 1/2017  | Samson                 |
| D715,786 S   | 10/2014 | Lee et al.           | D776,100 S *    | 1/2017  | Igarashi ..... D14/250 |
| D715,787 S   | 10/2014 | Lee et al.           | D776,102 S      | 1/2017  | Kim                    |
| D715,788 S   | 10/2014 | Lee et al.           | D777,719 S      | 1/2017  | Kim                    |
| D716,283 S   | 10/2014 | Lee et al.           | D778,273 S      | 2/2017  | Kim                    |
| D716,784 S   | 11/2014 | Wen                  | D778,274 S      | 2/2017  | Lim et al.             |
| D717,781 S   | 11/2014 | Kim                  | D778,275 S      | 2/2017  | Gabriel et al.         |
| D718,291 S * | 11/2014 | Hong ..... D14/250   | D779,473 S      | 2/2017  | Lee                    |
| 8,879,773 B2 | 11/2014 | Merenda              | D780,738 S      | 3/2017  | Barfoot et al.         |
| D718,756 S   | 12/2014 | Barfoot et al.       | D781,277 S      | 3/2017  | Cameron                |
| D718,759 S   | 12/2014 | Barfoot et al.       | D781,833 S      | 3/2017  | Daniels et al.         |
| D719,143 S   | 12/2014 | Vidovic              | D781,834 S      | 3/2017  | Kim et al.             |
| D719,145 S   | 12/2014 | Barfoot et al.       | D781,835 S      | 3/2017  | Kim et al.             |
| D719,949 S   | 12/2014 | Tussy                | D781,836 S      | 3/2017  | Kim et al.             |
| D720,739 S   | 1/2015  | Liu                  | D781,837 S      | 3/2017  | Kim et al.             |
| D721,356 S   | 1/2015  | Hasbrook et al.      | D781,838 S      | 3/2017  | Kim et al.             |
| D721,685 S   | 1/2015  | Hasbrook et al.      | D781,839 S      | 3/2017  | Kim et al.             |
| D723,016 S   | 2/2015  | Lee et al.           | D781,840 S      | 3/2017  | Kim et al.             |
| D723,019 S   | 2/2015  | Chan et al.          | D784,316 S      | 4/2017  | Lim et al.             |
| D723,531 S   | 3/2015  | Katzke               | D784,976 S      | 4/2017  | Cebe                   |
| D725,091 S   | 3/2015  | Wen                  | D786,230 S      | 5/2017  | Yang                   |
| 8,983,559 B2 | 3/2015  | Chiu                 | D786,853 S      | 5/2017  | Friedland et al.       |
| 8,989,826 B1 | 3/2015  | Connolly             | D787,497 S      | 5/2017  | Friedland et al.       |
| D726,172 S   | 4/2015  | Watkins et al.       | D789,343 S      | 6/2017  | Hawes et al.           |
| D726,173 S   | 4/2015  | Kim et al.           | D789,347 S      | 6/2017  | Zamudio                |
|              |         |                      | D790,526 S      | 6/2017  | Babichenko             |
|              |         |                      | D791,113 S *    | 7/2017  | Tien ..... D14/250     |
|              |         |                      | 2010/0113111 A1 | 5/2010  | Wong et al.            |
|              |         |                      | 2012/0021810 A1 | 1/2012  | Terry                  |

(56)

**References Cited**

U.S. PATENT DOCUMENTS

2012/0077548 A1 3/2012 Goldberg  
 2012/0088558 A1 4/2012 Song  
 2012/0118773 A1\* 5/2012 Rayner ..... G06F 1/1626  
 206/320  
 2012/0154119 A1 6/2012 Schepps  
 2012/0309472 A1 12/2012 Wong et al.  
 2012/0309475 A1 12/2012 Johnson  
 2013/0079067 A1 3/2013 Peng  
 2013/0157730 A1 6/2013 McCormac et al.  
 2013/0203470 A1 8/2013 Schneider et al.  
 2013/0210502 A1 8/2013 Maravilla et al.  
 2013/0344925 A1 12/2013 Lu et al.  
 2014/0066142 A1 3/2014 Gipson  
 2014/0066143 A1 3/2014 Choi  
 2014/0113691 A1 4/2014 Oh et al.  
 2014/0128130 A1 5/2014 Chiu

2014/0187295 A1 7/2014 Kumar et al.  
 2014/0194168 A1 7/2014 Lehmann  
 2014/0200054 A1 7/2014 Fraden  
 2014/0228082 A1 8/2014 Morrow et al.  
 2014/0357328 A1 12/2014 Aharon et al.  
 2014/0357330 A1 12/2014 Lin  
 2014/0364176 A1 12/2014 Pintor  
 2014/0370946 A1 12/2014 Daniell et al.  
 2015/0045096 A1 2/2015 Johnson  
 2015/0065206 A1 3/2015 Rojas  
 2015/0133203 A1 5/2015 Xie et al.  
 2015/0141090 A1 5/2015 Hwan et al.  
 2015/0141091 A1 5/2015 Oh et al.  
 2015/0195938 A1\* 7/2015 Witter ..... H05K 5/03  
 206/521  
 2016/0056856 A1\* 2/2016 Diebel ..... H04B 1/3888  
 264/250  
 2016/0361852 A1\* 12/2016 Fathollahi ..... H04B 1/3888

\* cited by examiner

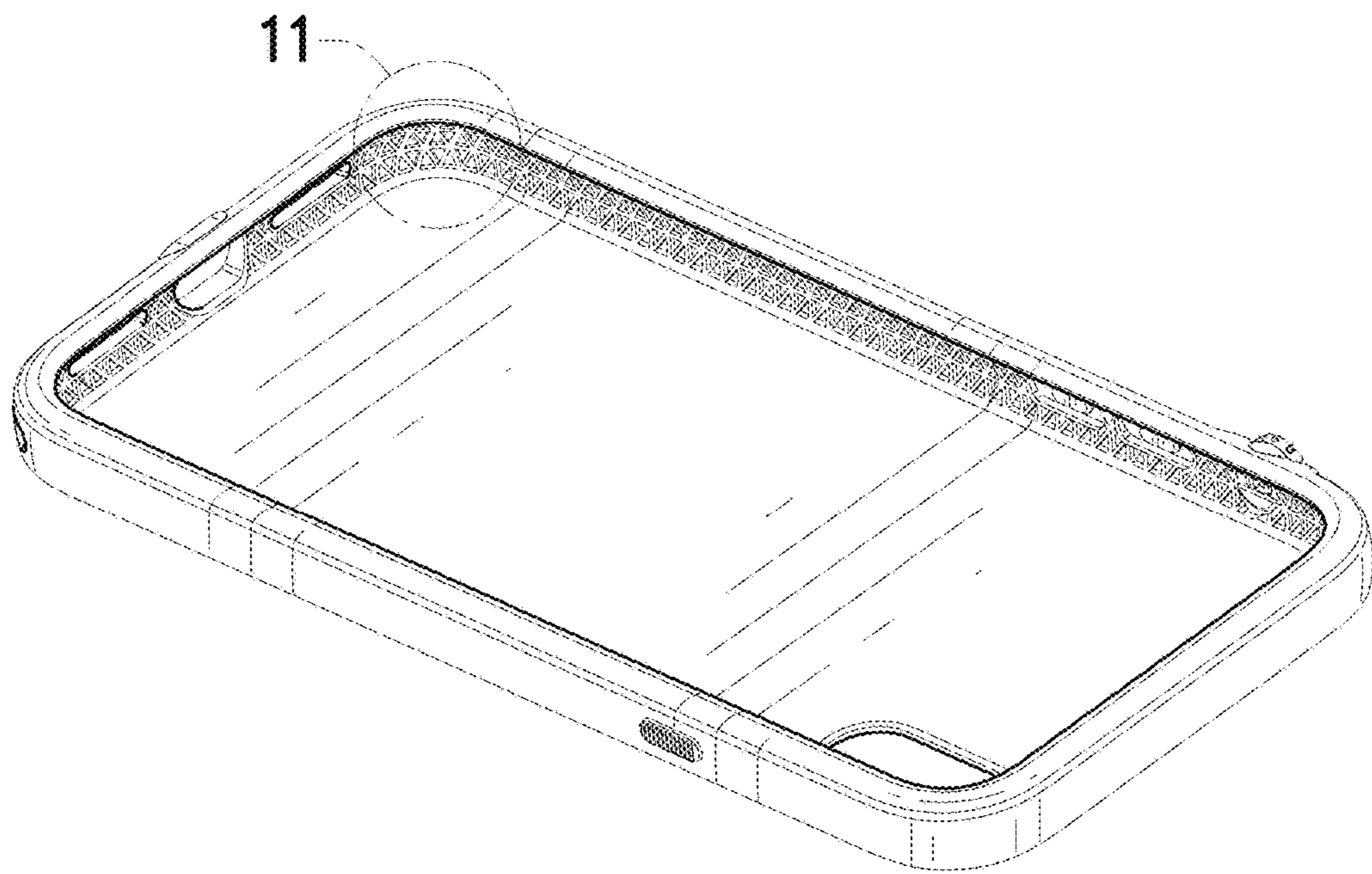


FIG. 1

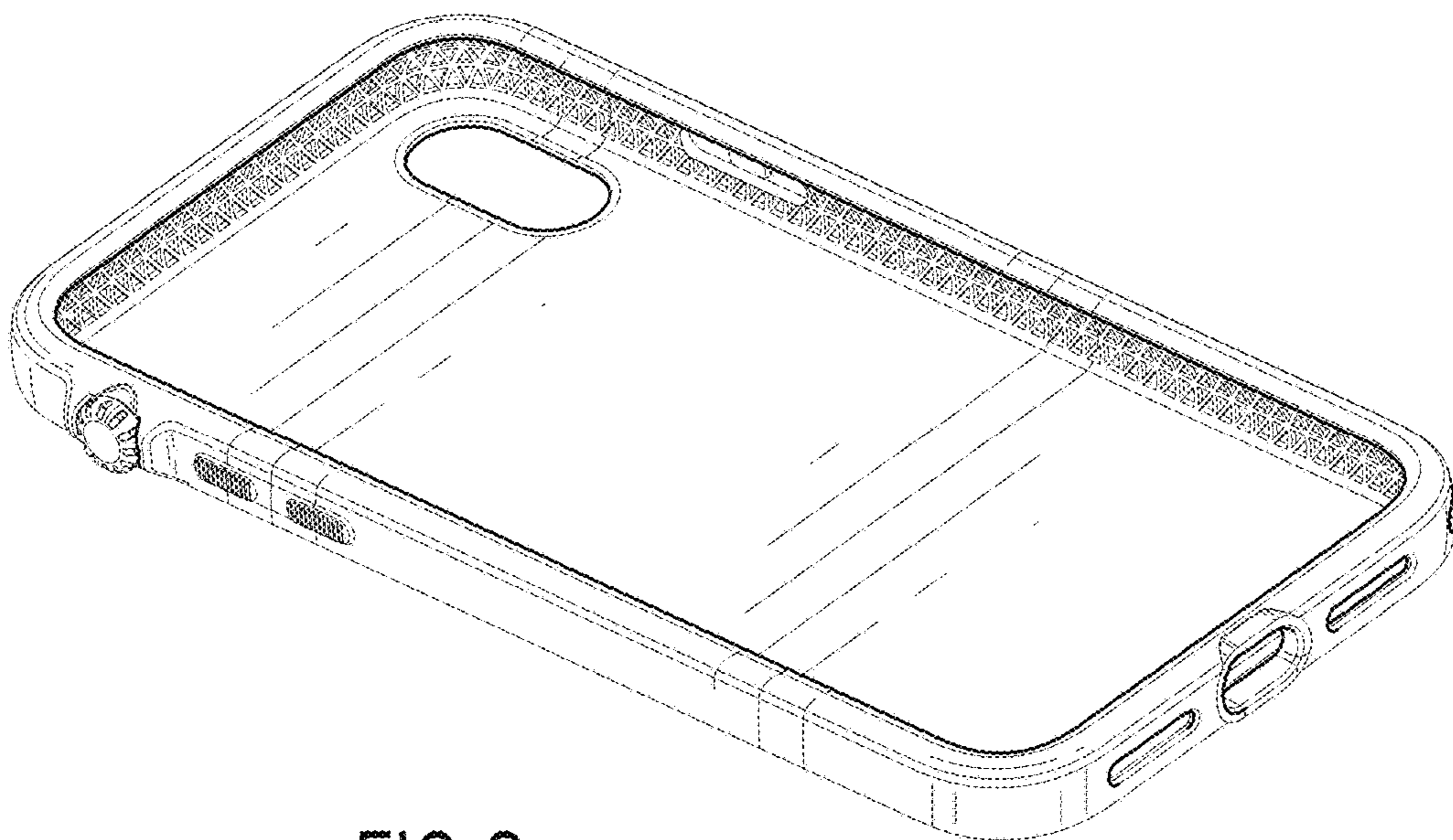


FIG. 2

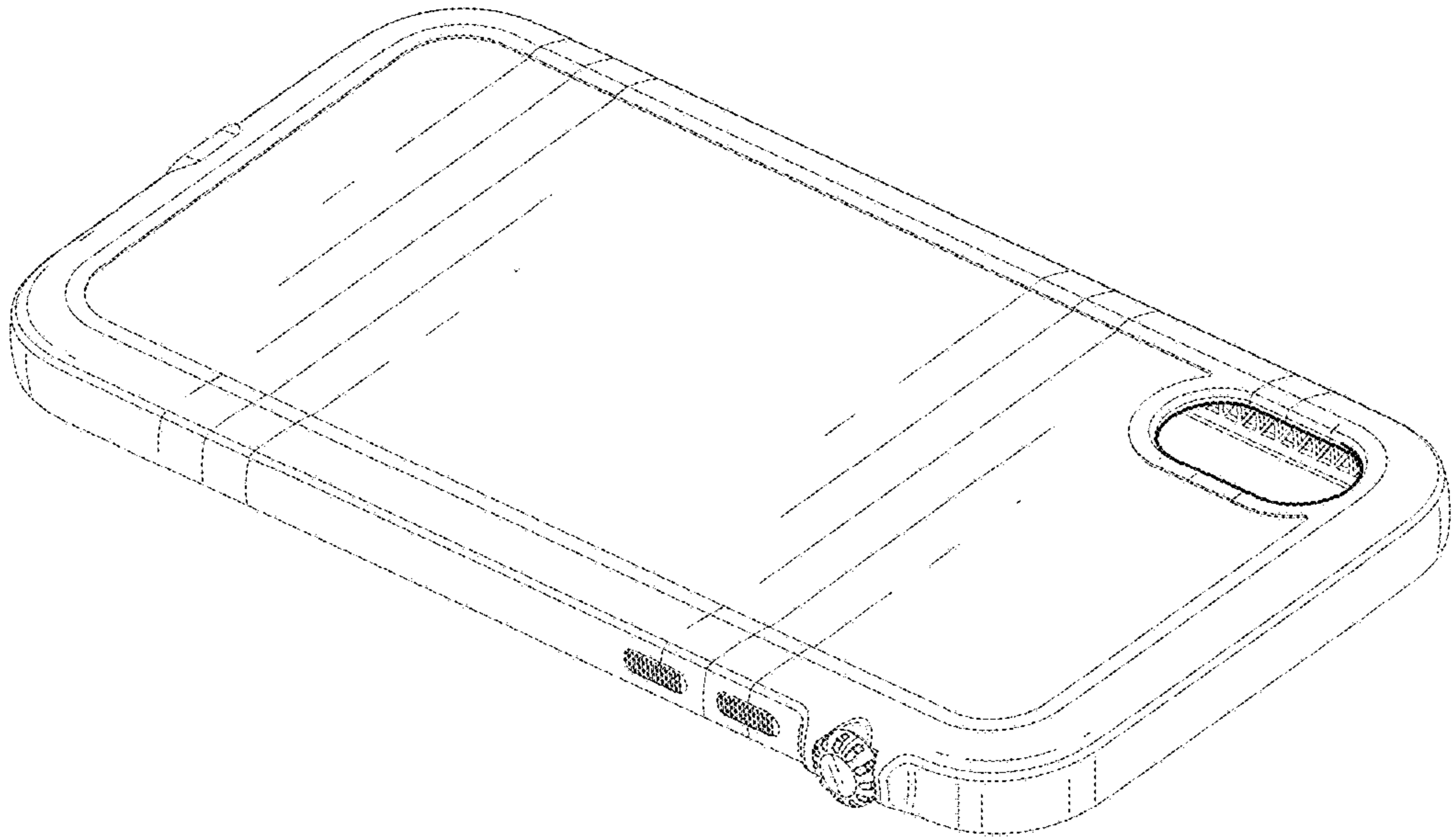


FIG. 3

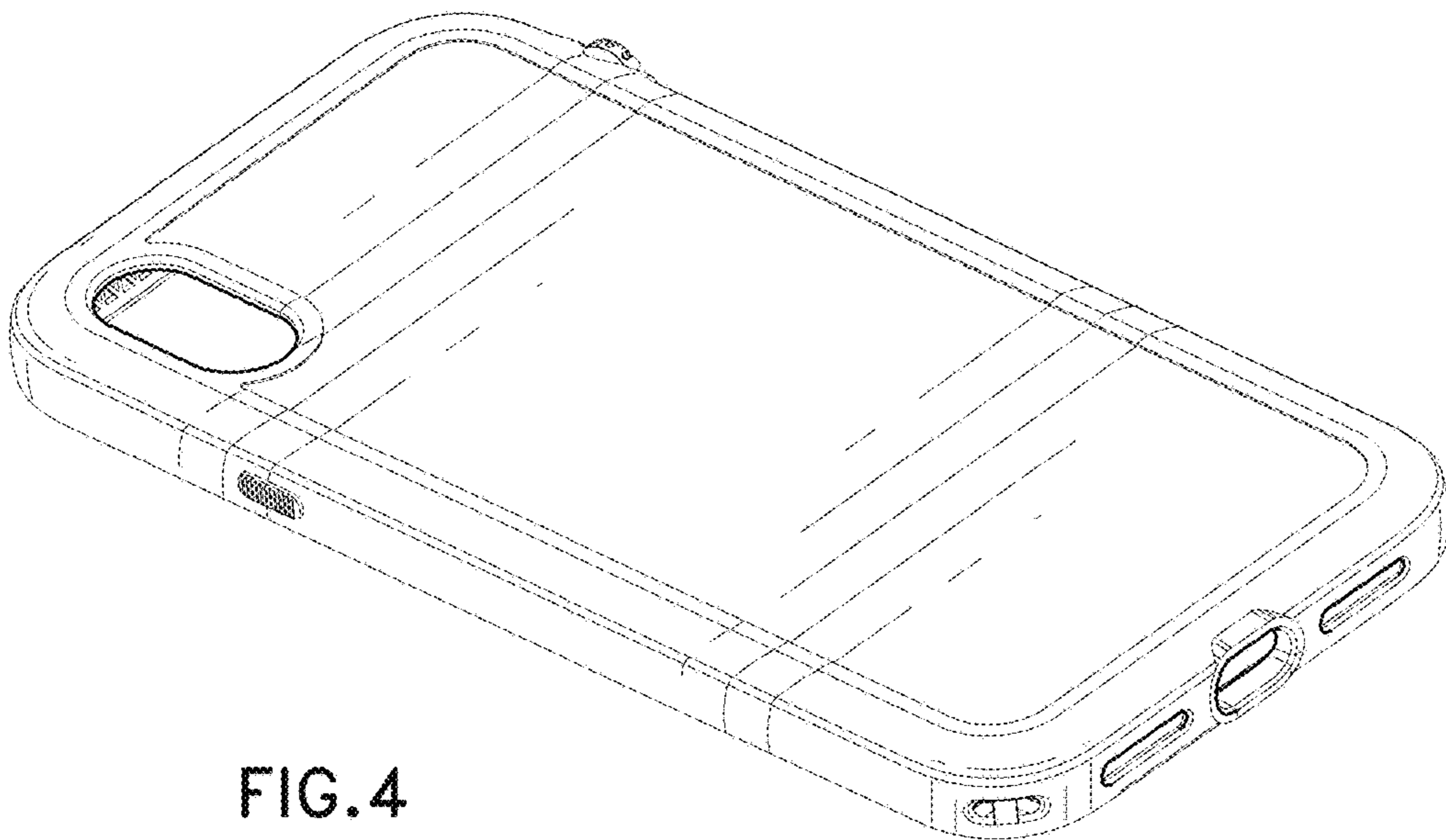


FIG. 4

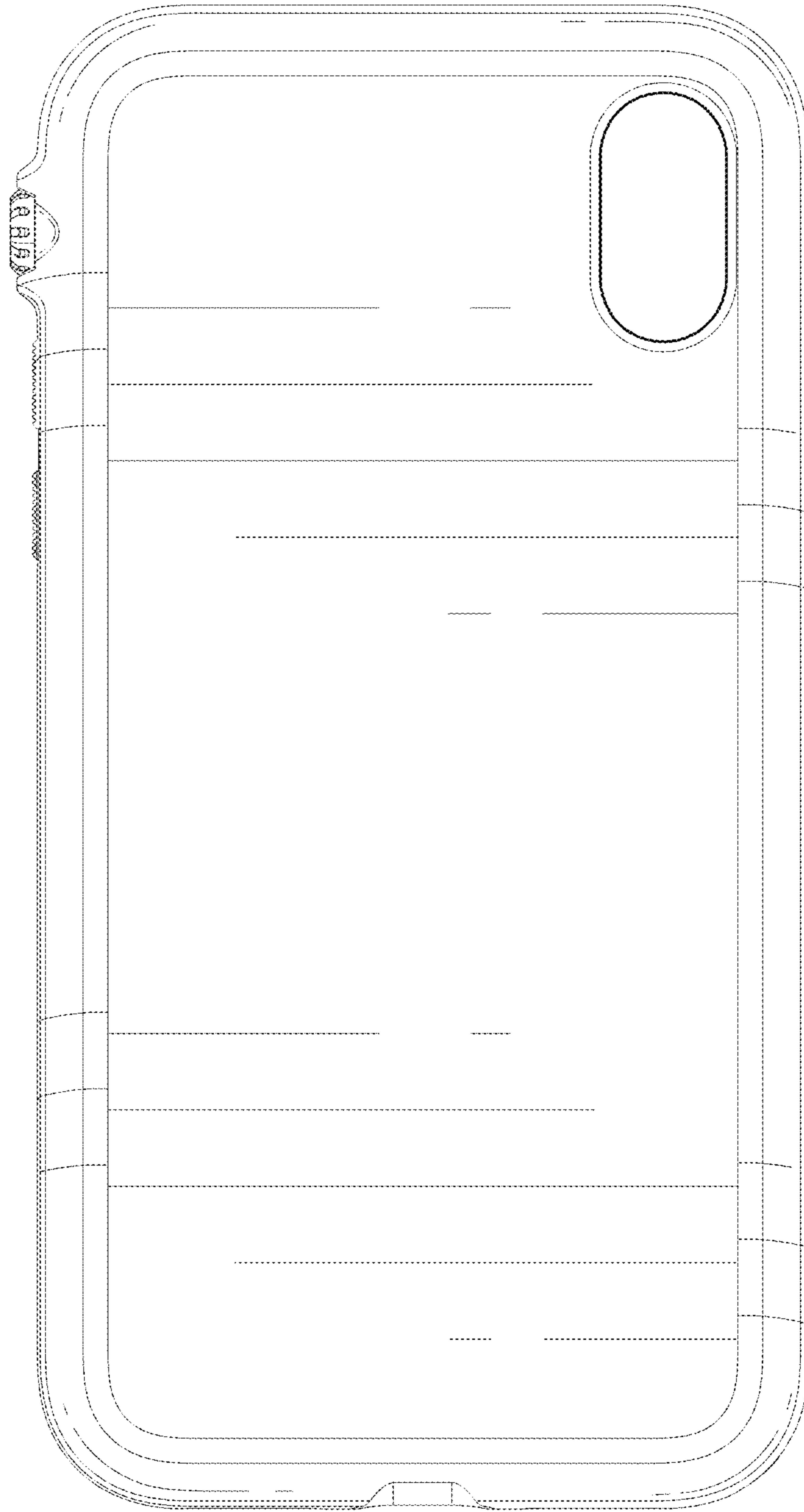


FIG. 5

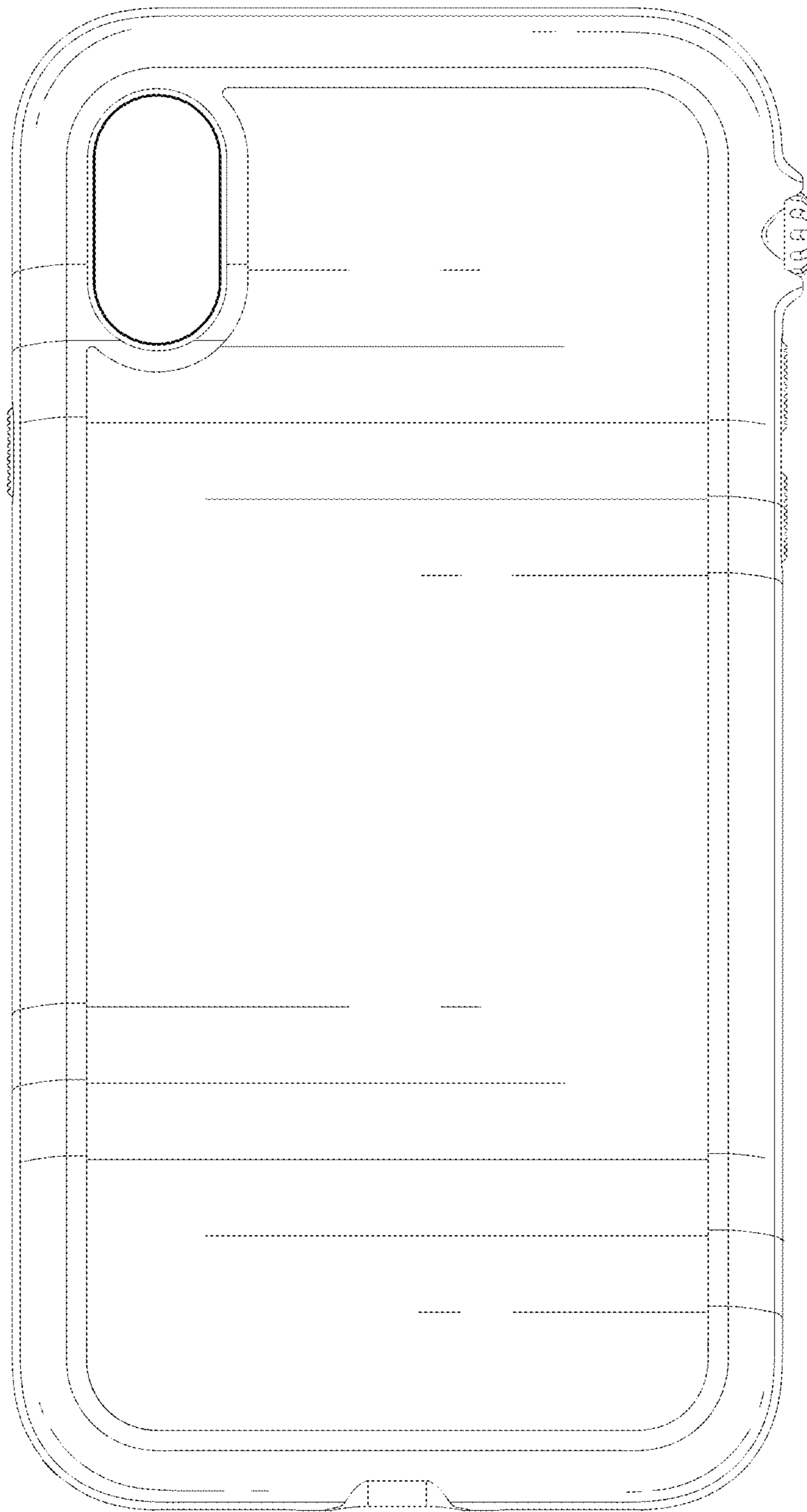


FIG. 6

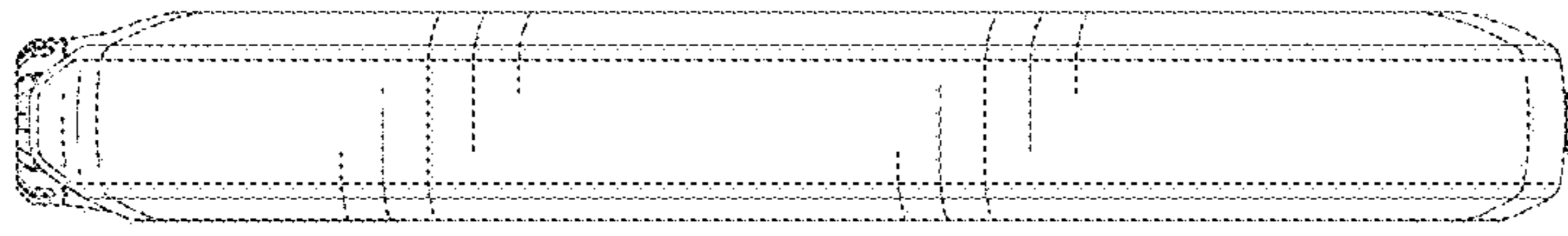


FIG. 7

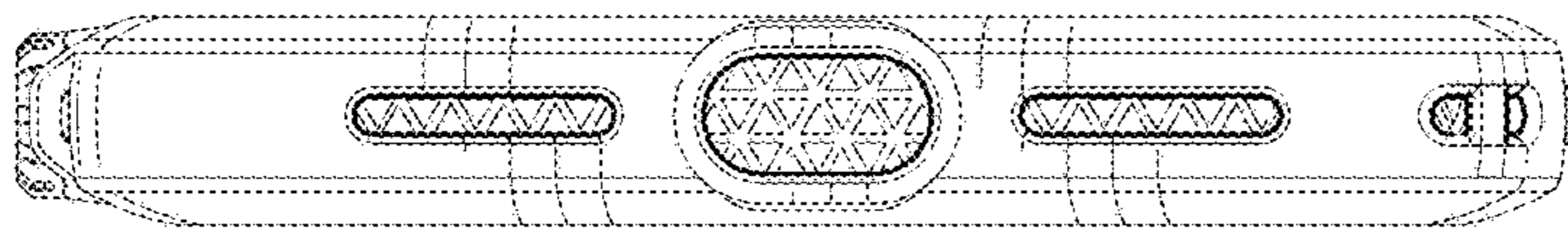


FIG. 8

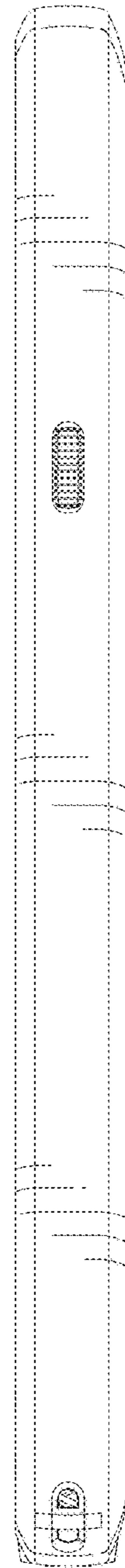


FIG. 9



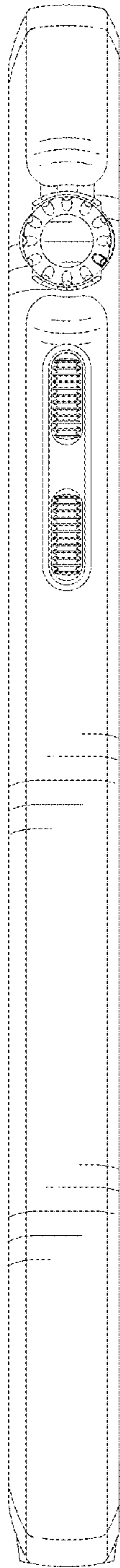


FIG. 10

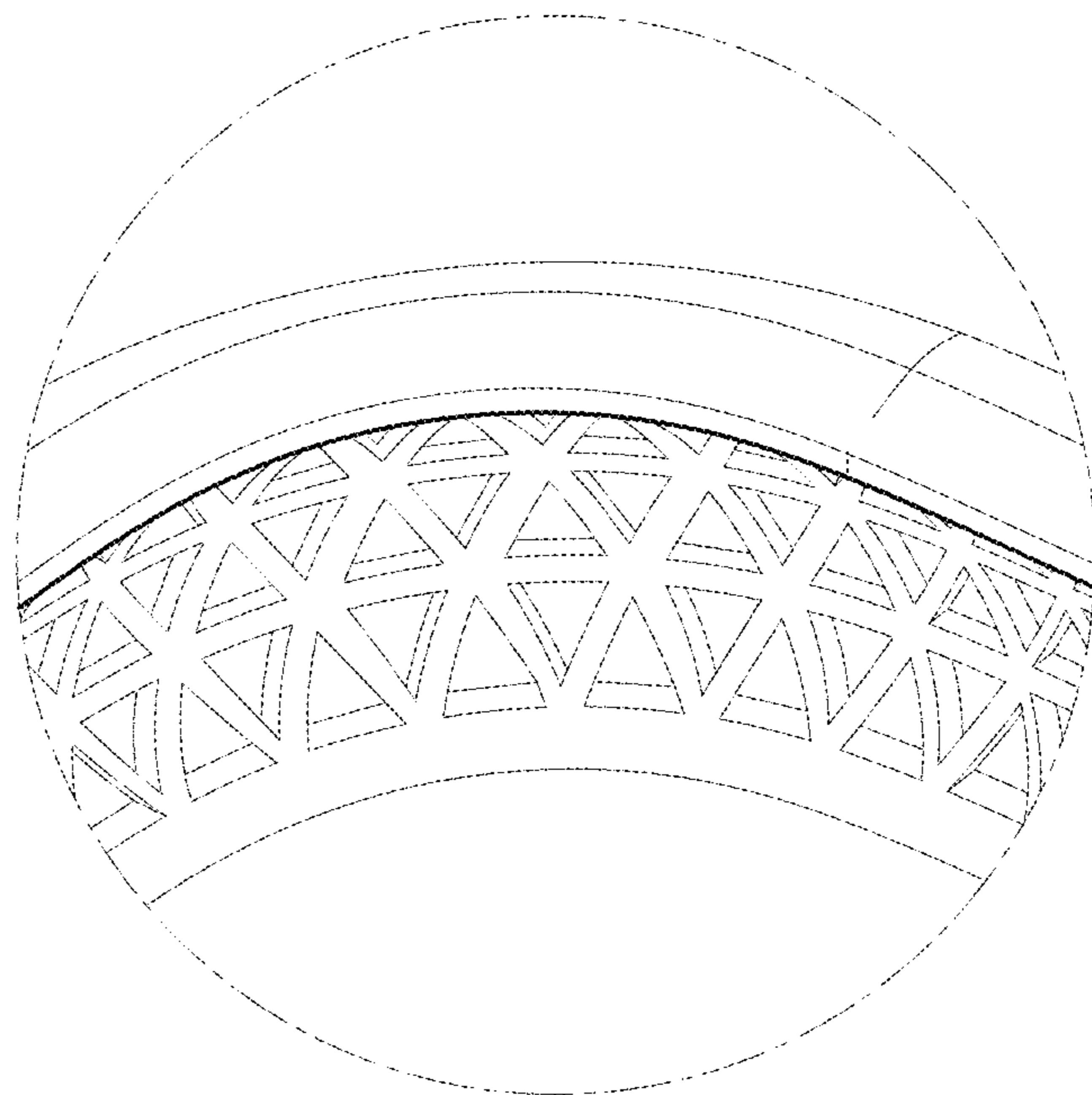


FIG. 11