



US00D819620S

(12) **United States Design Patent**  
**Parker**

(10) **Patent No.:** **US D819,620 S**  
(45) **Date of Patent:** **\*\* Jun. 5, 2018**

(54) **COMBINED MOBILE PHONE HOLDER AND COSMETIC COMPACT**

(71) Applicant: **Philippe Oliver Parker**, Zetjun (MT)

(72) Inventor: **Philippe Oliver Parker**, Zetjun (MT)

(\*\*) Term: **14 Years**

(21) Appl. No.: **29/509,780**

(22) Filed: **Nov. 21, 2014**

(51) **LOC (11) Cl.** ..... **14-03**

(52) **U.S. Cl.**

USPC ..... **D14/250**

(58) **Field of Classification Search**

USPC ..... D14/238.1, 440, 203.3–203.7, 217, 240,  
D14/447, 250, 251–253, 248; D3/201,  
D3/218, 247, 269, 273, 301, 303;  
D13/103, 107–108, 119; 220/525;  
D28/76–78, 83

CPC ... H04B 1/3888; A45C 1/06; A45C 2011/002;  
A45C 11/00; A45C 13/02; A45F  
2005/026; A45F 2200/0525; A45F  
2200/0516; H04M 1/0283; H04M 1/0202

See application file for complete search history.

(56) **References Cited**

**U.S. PATENT DOCUMENTS**

D118,781 S *	1/1940	Landwehr	.....	D28/83
D465,305 S *	11/2002	Thorpe	.....	D28/83
7,146,184 B1 *	12/2006	Tsitsiashvili	.....	A45C 15/04 379/433.01
D624,064 S *	9/2010	Esposito	.....	D14/250
7,905,238 B2 *	3/2011	Moon	.....	A45D 33/20 132/287
D651,791 S *	1/2012	Cataldo	.....	D3/218
8,418,852 B2 *	4/2013	Ziamba	.....	A45C 1/04 206/235

(Continued)

*Primary Examiner* — Carla J Wright

(57) **CLAIM**

I, claim the ornamental design for a combined mobile phone holder and cosmetic compact, as shown and described.

**DESCRIPTION**

FIG. 1 Is a top, front, and right-side perspective view of a combined mobile phone holder and cosmetic compact showing my new design with the mobile phone holder in a closed configuration;

FIG. 2 Is a top, front, and right-side perspective view of the combined mobile phone holder and cosmetic compact of FIG. 1 with the mobile phone holder in an open configuration and with the cosmetic compact in a stowed position within the bottom cavity of the mobile phone holder;

FIG. 3 Is a top plan view of the combined mobile phone holder and cosmetic compact of FIG. 1 with the mobile phone holder in a closed configuration;

FIG. 4 Is a bottom plan view thereof;

FIG. 5 Is a front elevation view thereof;

FIG. 6 Is a rear elevation view thereof;

FIG. 7 is a left-side elevation view thereof;

FIG. 8 Is a right-side elevation view thereof;

FIG. 9 Is a bottom, front, and right-side perspective view thereof;

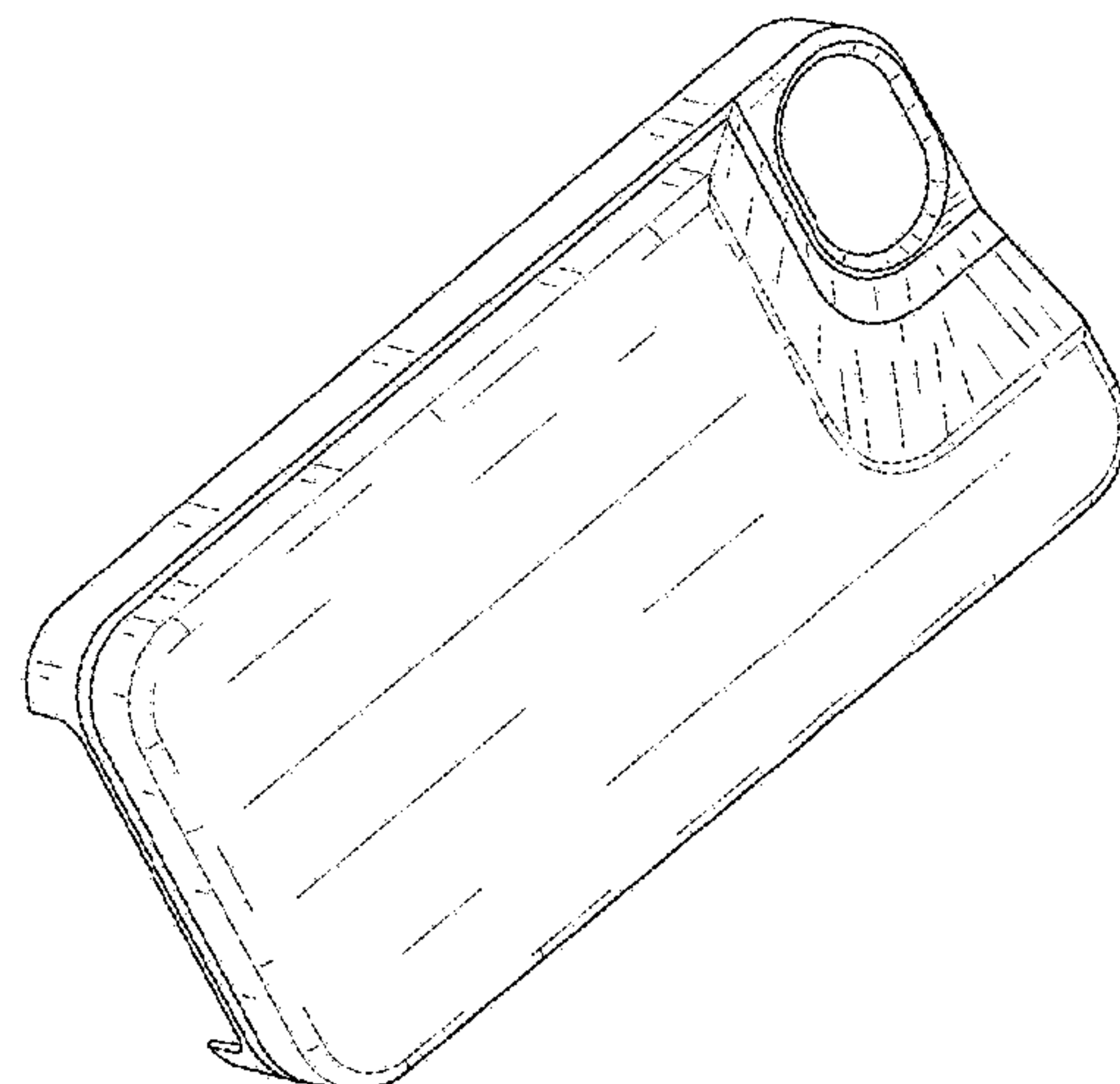
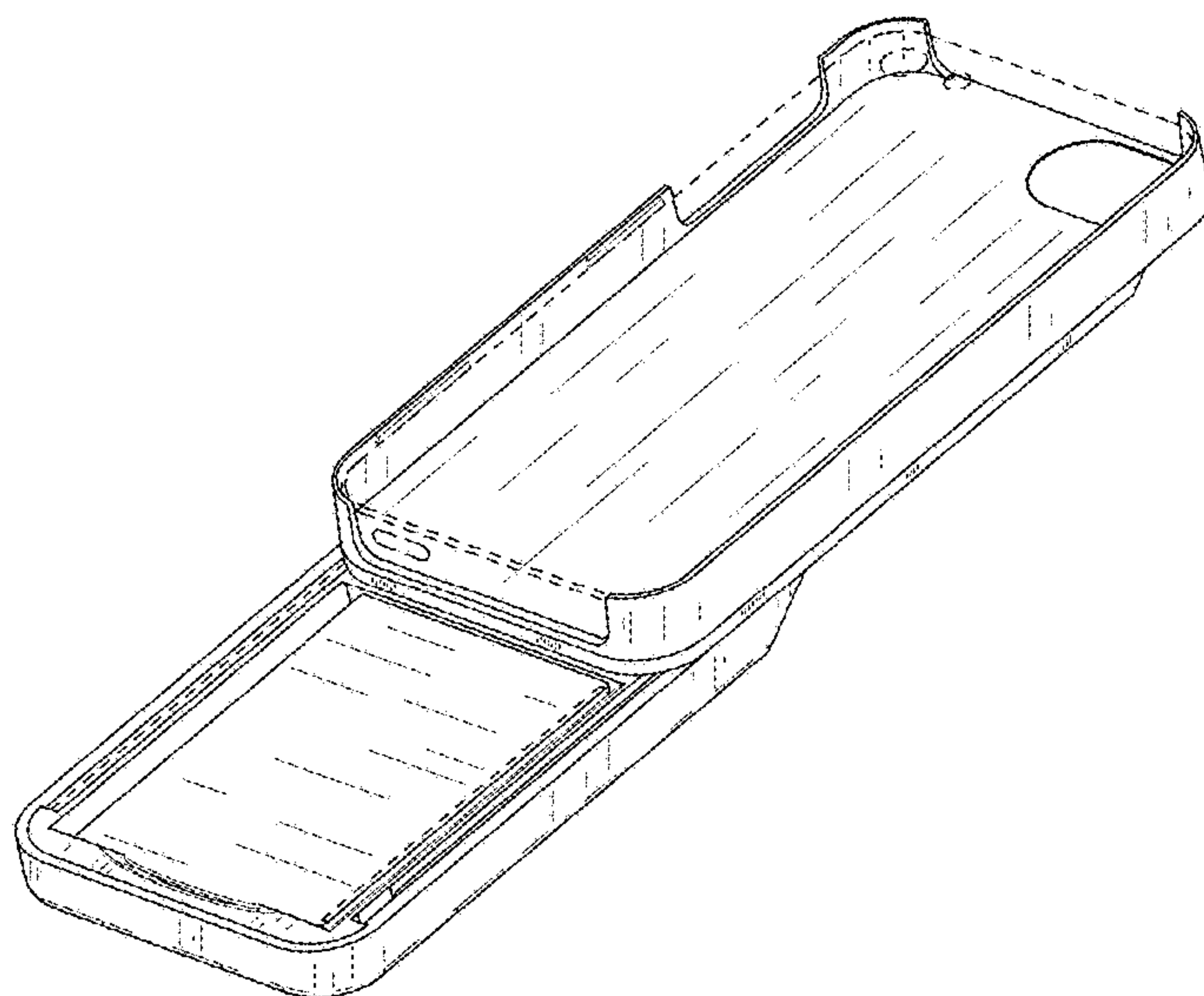
FIG. 10 Is a right-side elevation view thereof with the mobile phone cover in an open configuration;

FIG. 11 Is a top plan view thereof with the mobile phone cover in an open configuration and the cosmetic compact in a stowed position; and,

FIG. 12 is an exploded top, front, and right-side perspective view thereof with the mobile phone cover and the cosmetic compact each in an open configuration and with the cosmetic compact shown separated from the mobile phone cover for clarity of disclosure.

The broken lines showing a cosmetic storage area and mobile phone illustrate environmental structure that forms no part of the claimed design.

**1 Claim, 5 Drawing Sheets**



(56)

**References Cited**

U.S. PATENT DOCUMENTS

D681,620	S *	5/2013	Huskinson	.....	D14/250
D688,654	S *	8/2013	Stevinson	.....	D14/250
D688,655	S *	8/2013	Rey-Hipolito	.....	D14/250
8,522,795	B2 *	9/2013	Bouix	.....	A45D 33/008 132/212
D695,731	S *	12/2013	Adami	.....	D14/250
D703,650	S *	4/2014	Ehrlich	.....	D14/250
D705,764	S *	5/2014	Thoni	.....	D14/250
D706,536	S *	6/2014	Nikosey	.....	D3/247
8,833,379	B1 *	9/2014	Kaplan	.....	A45D 33/26 132/287
D719,143	S *	12/2014	Vidovic	.....	D14/250
D721,064	S *	1/2015	Sun	.....	D14/250
D724,785	S *	3/2015	Frederick	.....	D14/250
D759,966	S *	6/2016	Pignotti	.....	D3/247
9,503,148	B2 *	11/2016	Meyer	.....	H04B 1/3888
2009/0166247	A1 *	7/2009	Gindi	.....	A45D 33/008 206/581
2010/0302716	A1 *	12/2010	Gandhi	.....	G06F 1/1624 361/679.01
2011/0077061	A1 *	3/2011	Danze	.....	H04M 1/185 455/575.1
2015/0244407	A1 *	8/2015	Peral	.....	H04B 1/3888 455/575.8
2016/0014922	A1 *	1/2016	Banerjee	.....	A45C 7/0031 206/38

\* cited by examiner

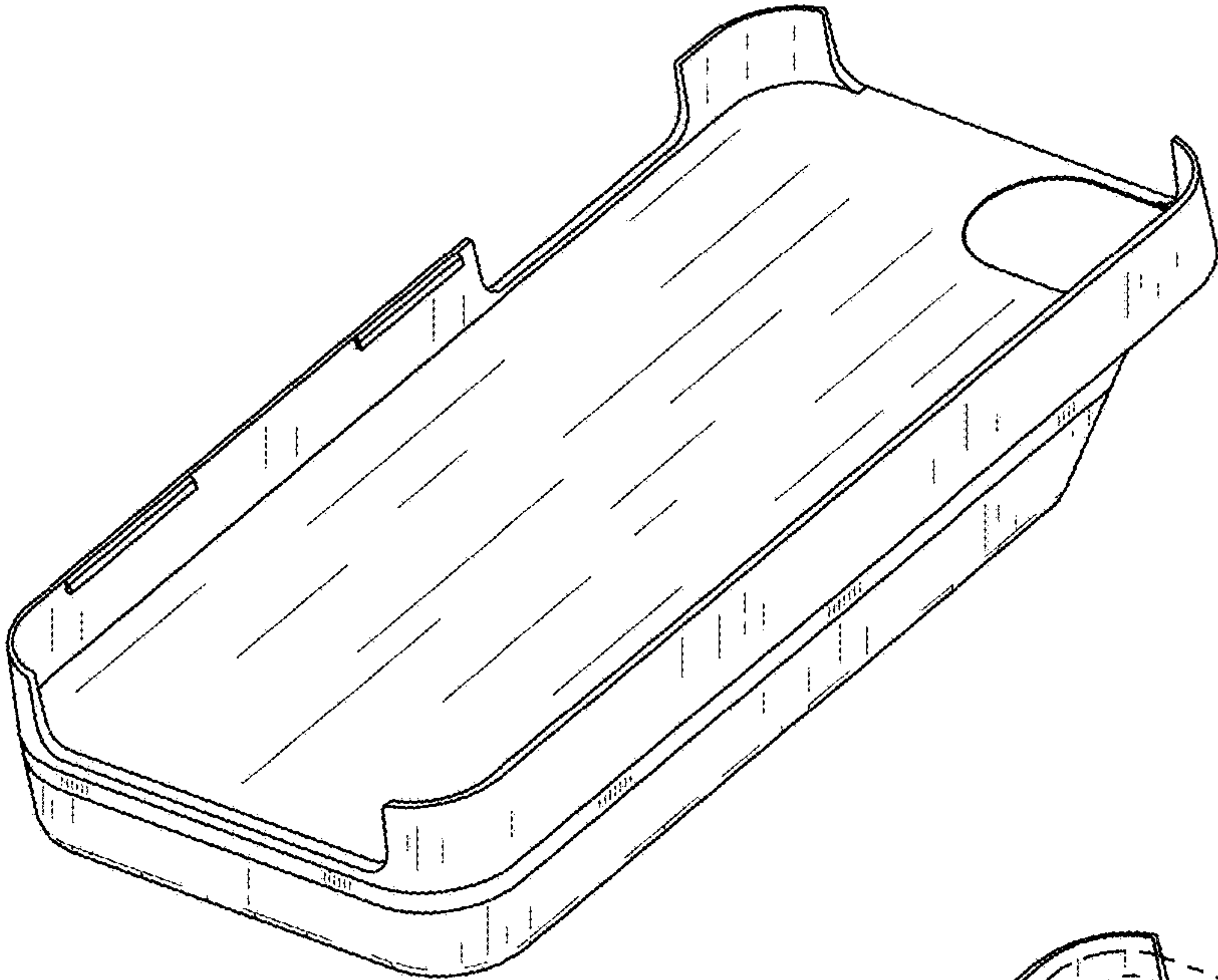


FIG.1

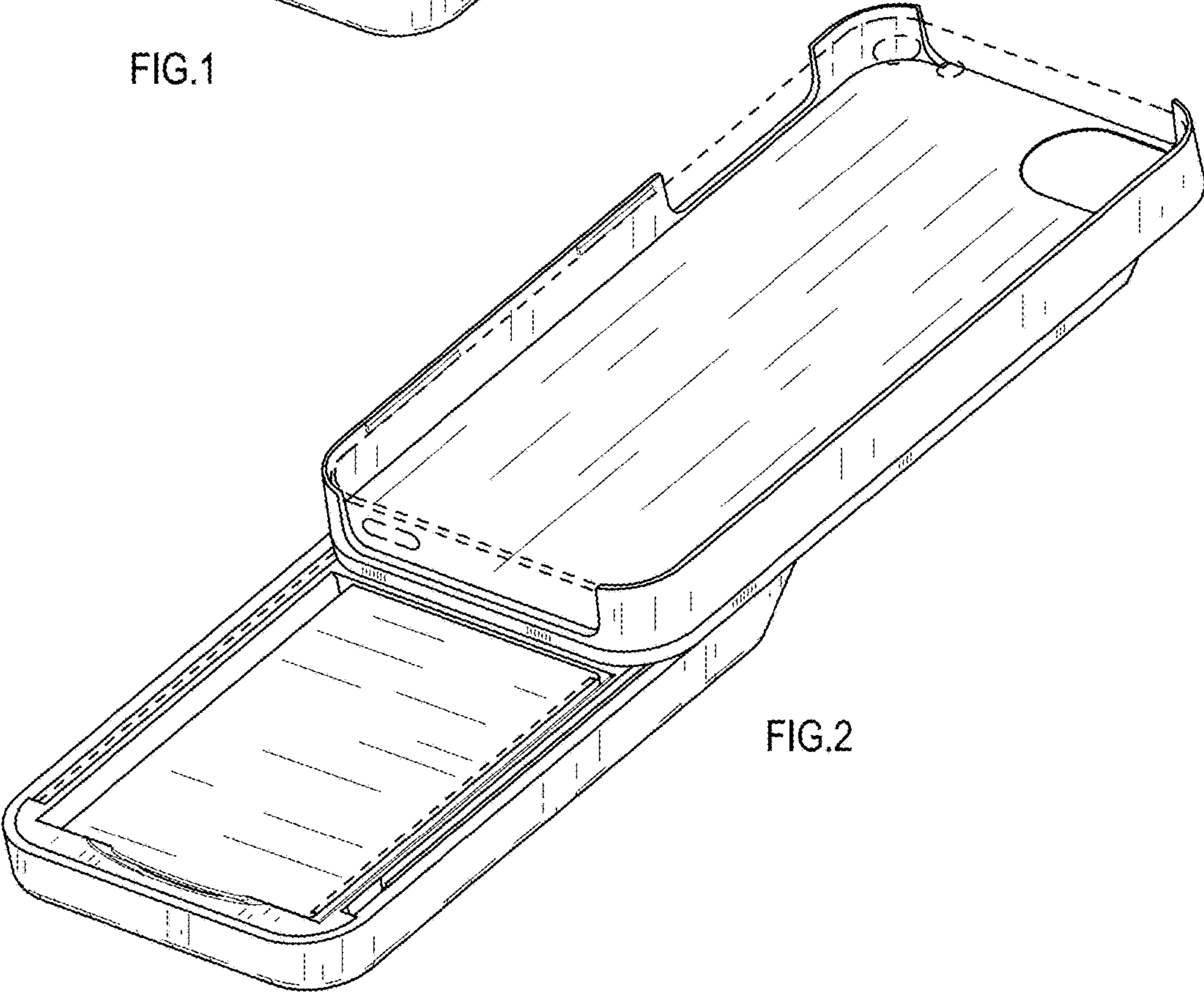


FIG.2



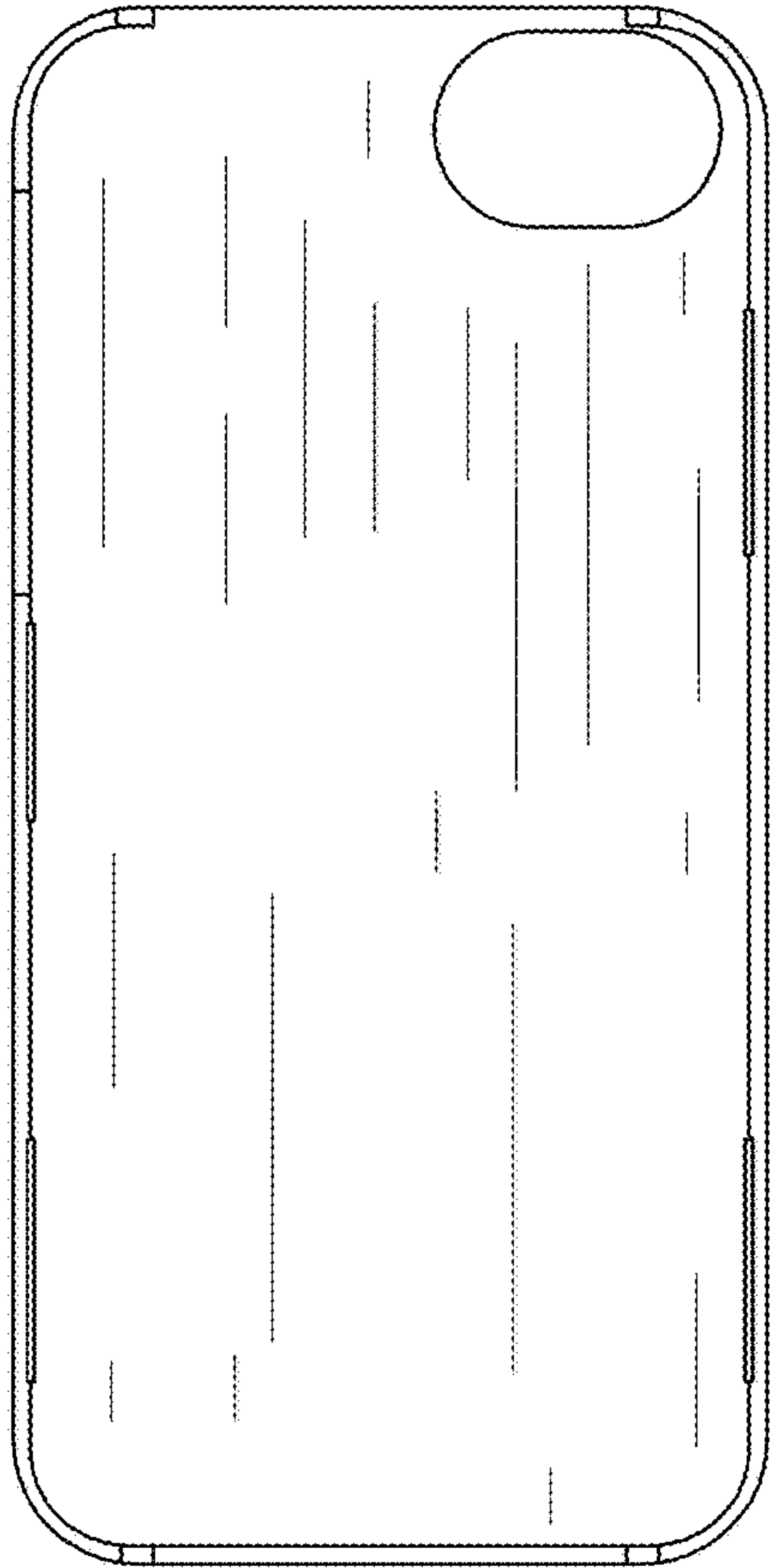


FIG.3

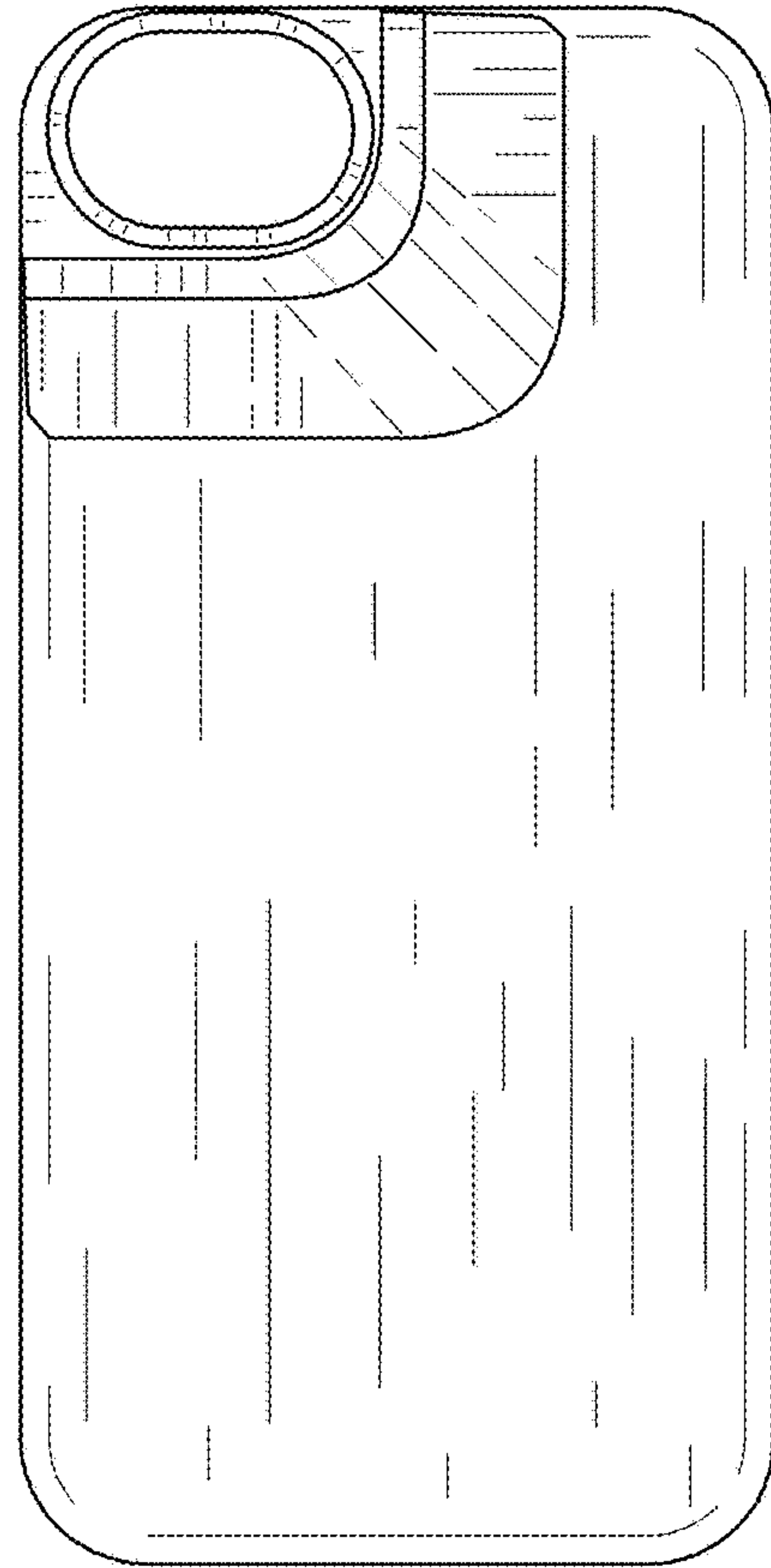


FIG.4

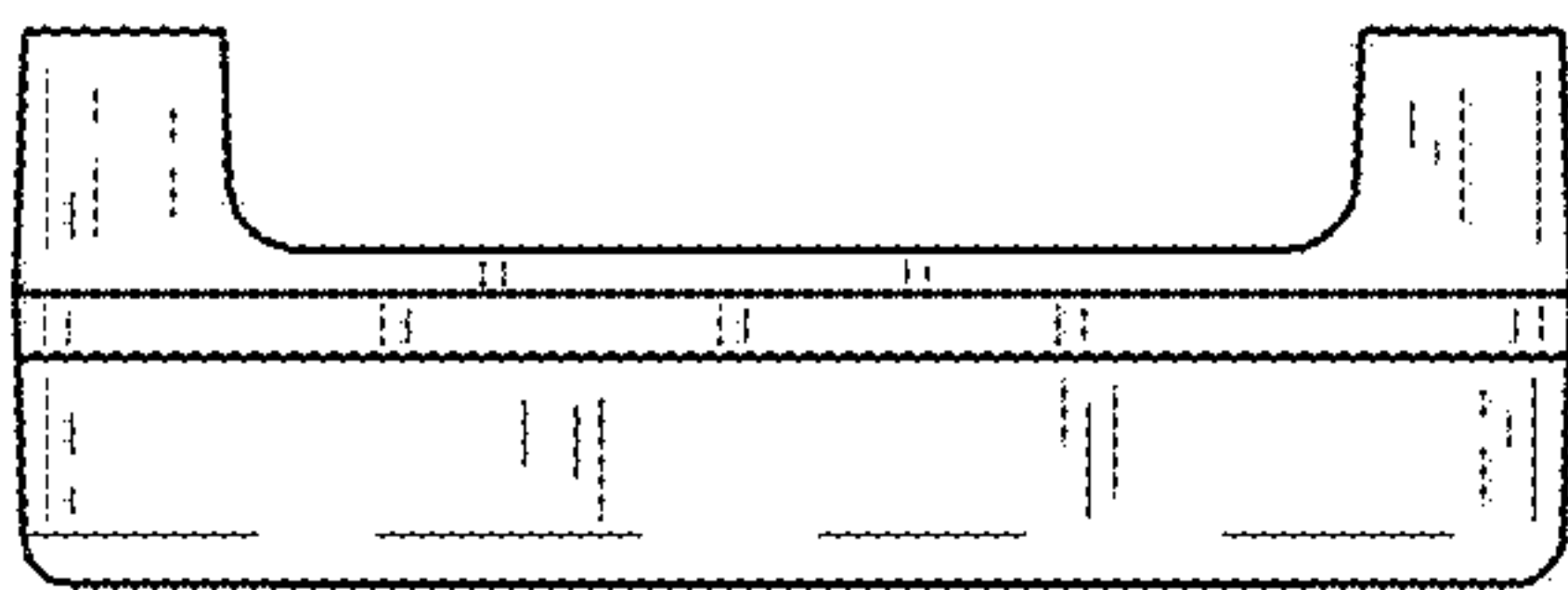


FIG.5

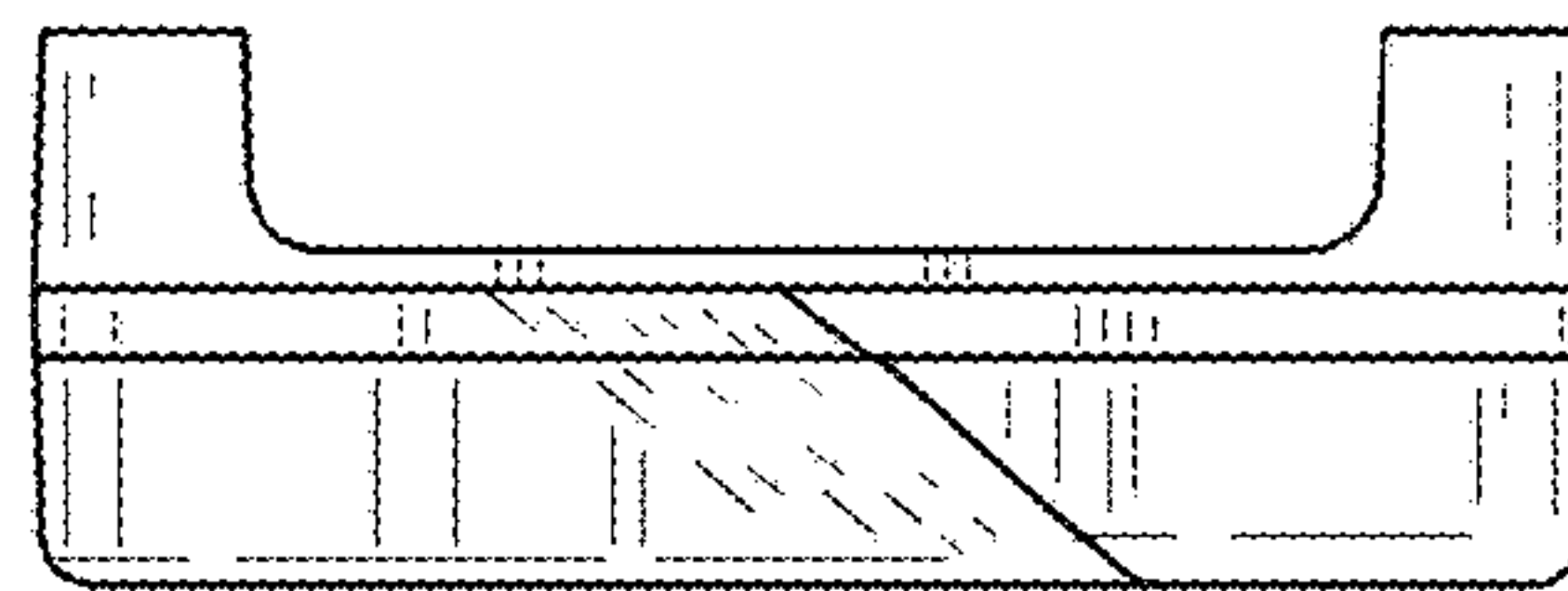


FIG.6

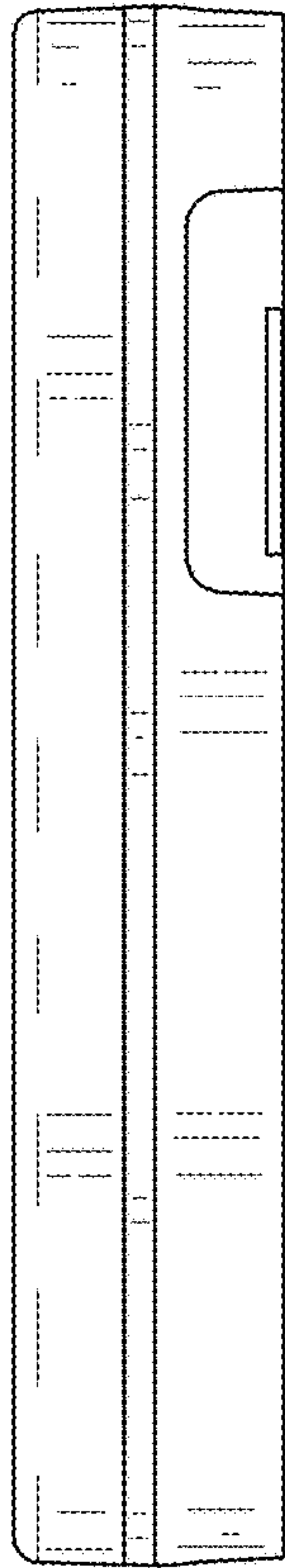


FIG. 7

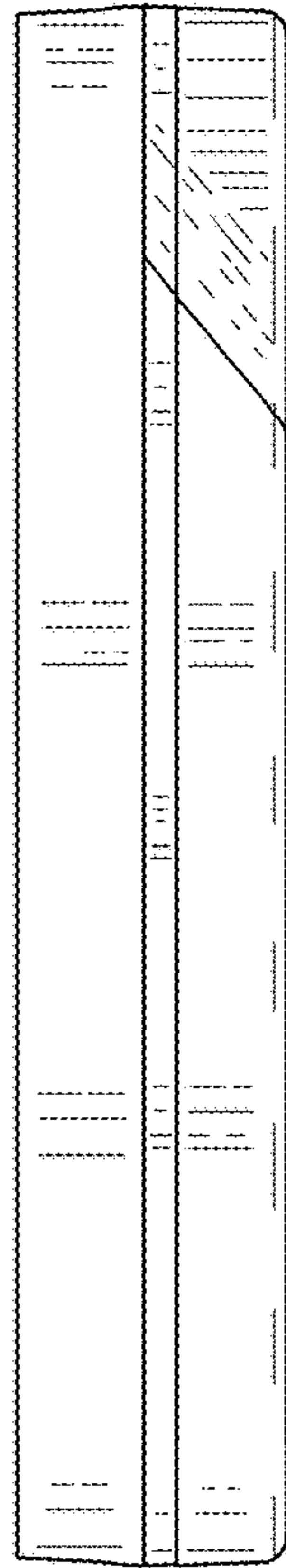


FIG. 8

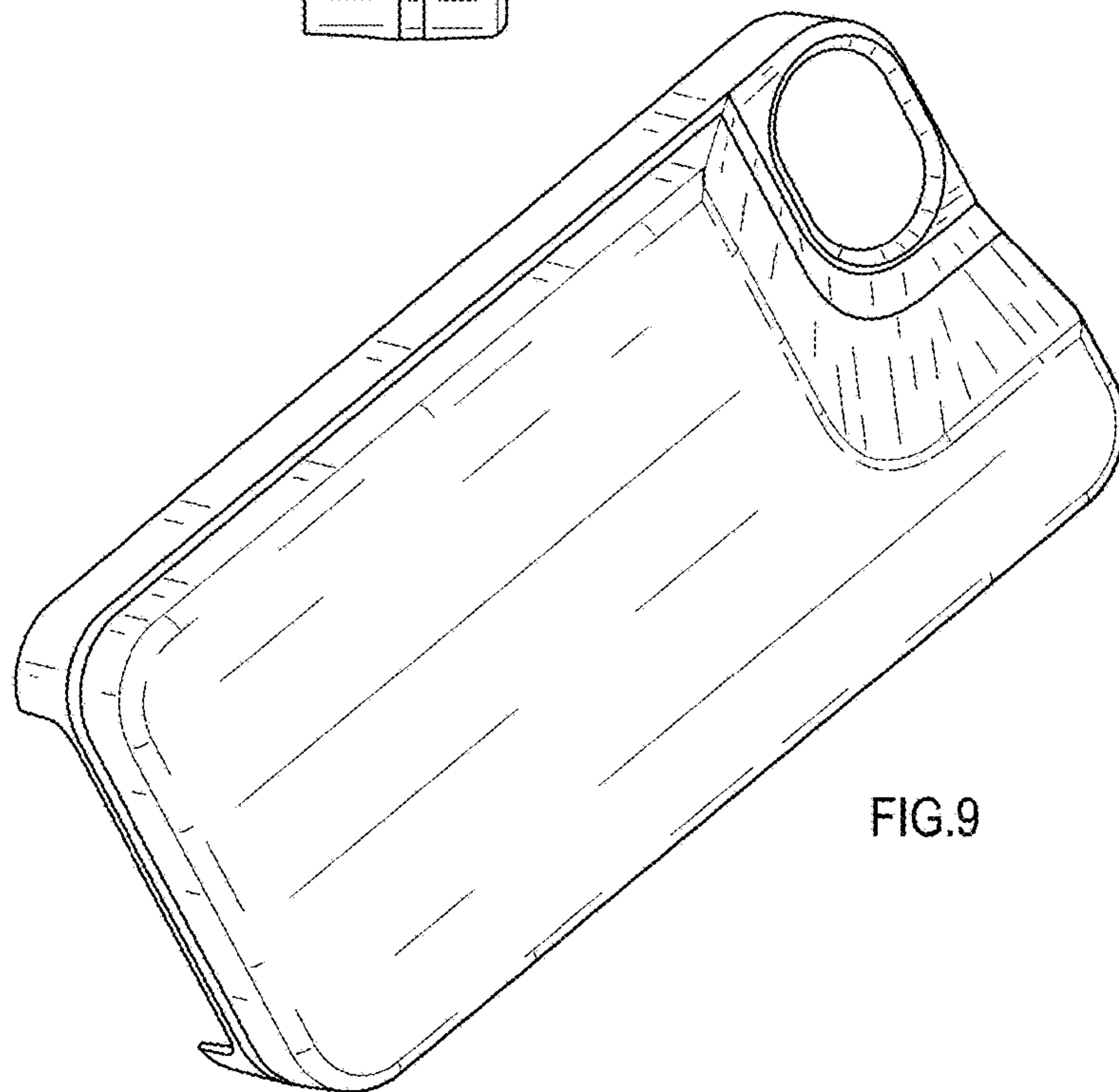


FIG. 9

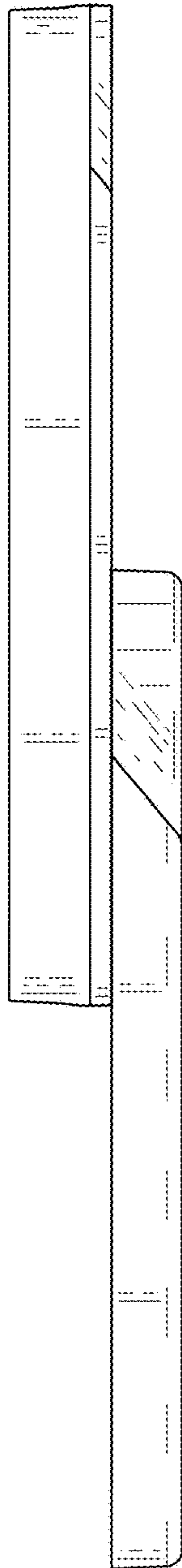


FIG.10

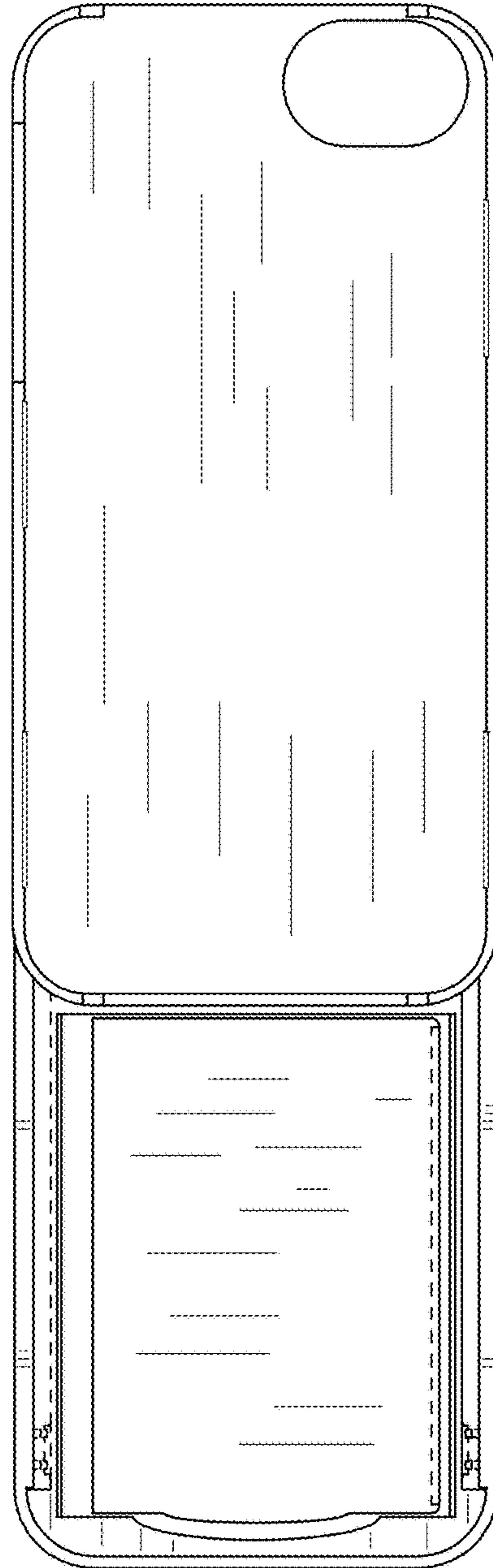


FIG.11

