



US00D819617S

(12) **United States Design Patent**
Hubert et al.

(10) **Patent No.:** **US D819,617 S**
(45) **Date of Patent:** **** Jun. 5, 2018**

(54) **STAND FOR TELEVISION**

FOREIGN PATENT DOCUMENTS

(71) Applicant: **Samsung Electronics Co., Ltd.**,
Suwon-si (KR)

JP 1428605 11/2014
KR 300659444 9/2012
KR 300827561 11/2015

(72) Inventors: **Benjamin Hubert**, London (GB); **Luca Corvatta**, London (GB)

* cited by examiner

(73) Assignee: **SAMSUNG ELECTRONICS CO., LTD.**, Gyeonggi-Do (KR)

Primary Examiner — Randall H Gholson

(74) *Attorney, Agent, or Firm* — Cantor Colburn LLP

(**) Term: **15 Years**

(57) **CLAIM**

(21) Appl. No.: **29/608,381**

The ornamental design for a stand for television, as shown and described.

(22) Filed: **Jun. 21, 2017**

(30) **Foreign Application Priority Data**

Dec. 22, 2016 (KR) 30-2016-0062573

DESCRIPTION

(51) **LOC (11) Cl.** **14-03**

(52) **U.S. Cl.**
USPC **D14/239**

(58) **Field of Classification Search**
USPC D14/125-134, 239, 371, 136, 374-377,
D14/440, 450, 448, 336, 342, 159;
312/7.2; 348/836, 838, 180, 184, 325,
348/739; 248/917-924, 465; 345/104,
345/133, 156, 168, 87, 173; D21/329,
D21/515, 577, 622, 333, 433, 448, 452,
D21/450, 331, 505; D10/15, 26;
446/484, 175, 356; D6/477, 479, 300;
D24/185; D34/14
CPC ... G06F 1/1601; G06F 1/1643; H05K 5/0004;
H05K 5/0017; H05K 5/02; H05K 5/0217
See application file for complete search history.

FIG. 1 is a front perspective view of a stand for television, showing our new design;
FIG. 2 is a front view thereof;
FIG. 3 is a rear view thereof;
FIG. 4 is a left side view thereof;
FIG. 5 is a right side view thereof;
FIG. 6 is a top view thereof;
FIG. 7 is a bottom view thereof;
FIG. 8 is a rear perspective view thereof;
FIG. 9 is another front perspective view thereof in a television environment; and,
FIG. 10 is an exploded perspective view thereof.
The broken lines illustrating portions of the stand for television form no part of the claimed design.
The broken lines illustrating a television screen in FIG. 9 are for illustrative purposes only and form no part of the claimed design.

(56) **References Cited**

U.S. PATENT DOCUMENTS

D716,277 S * 10/2014 Kim D14/239
D760,706 S * 7/2016 Son D14/239
D789,333 S * 6/2017 Kwon D14/239

1 Claim, 7 Drawing Sheets

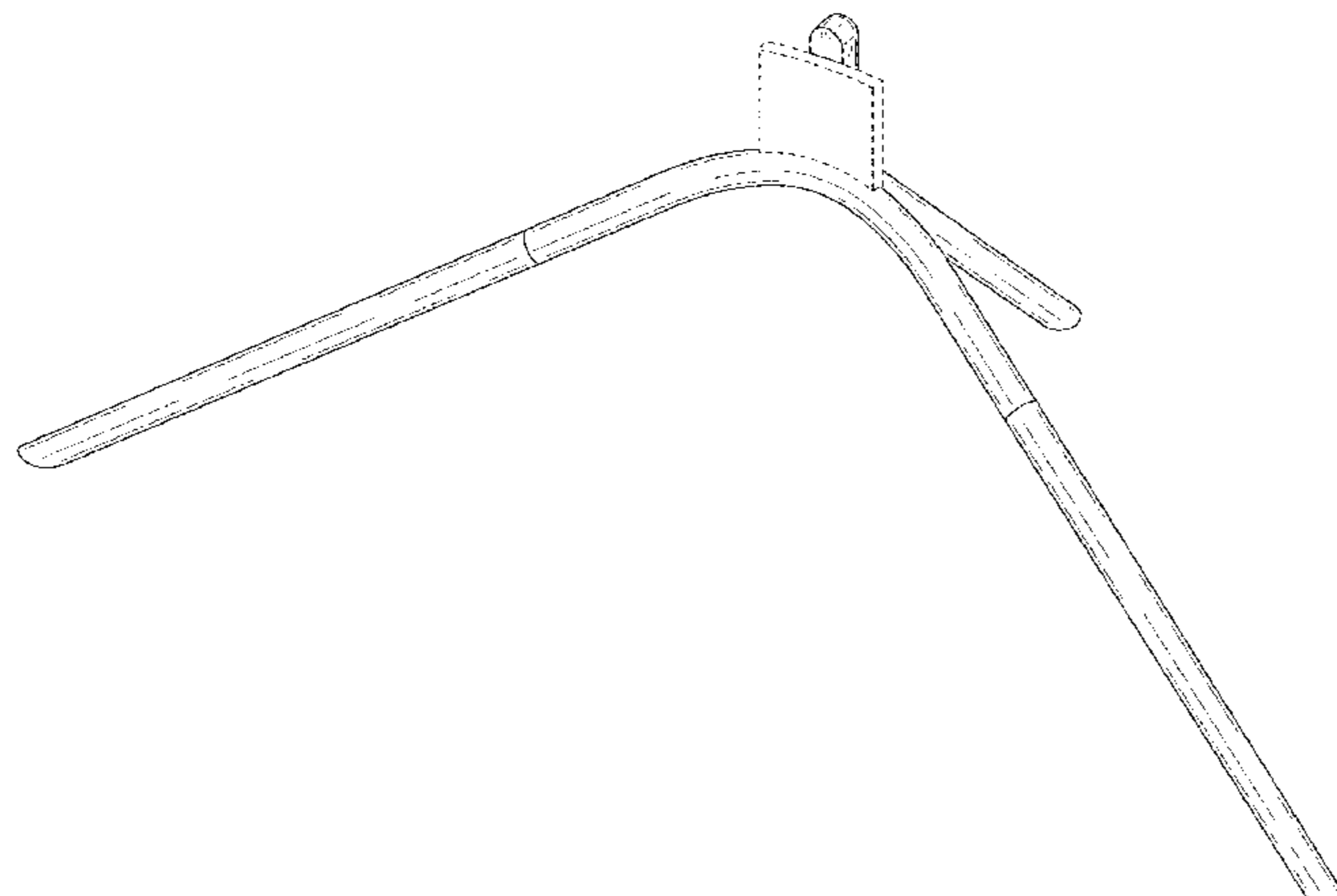


FIG. 1

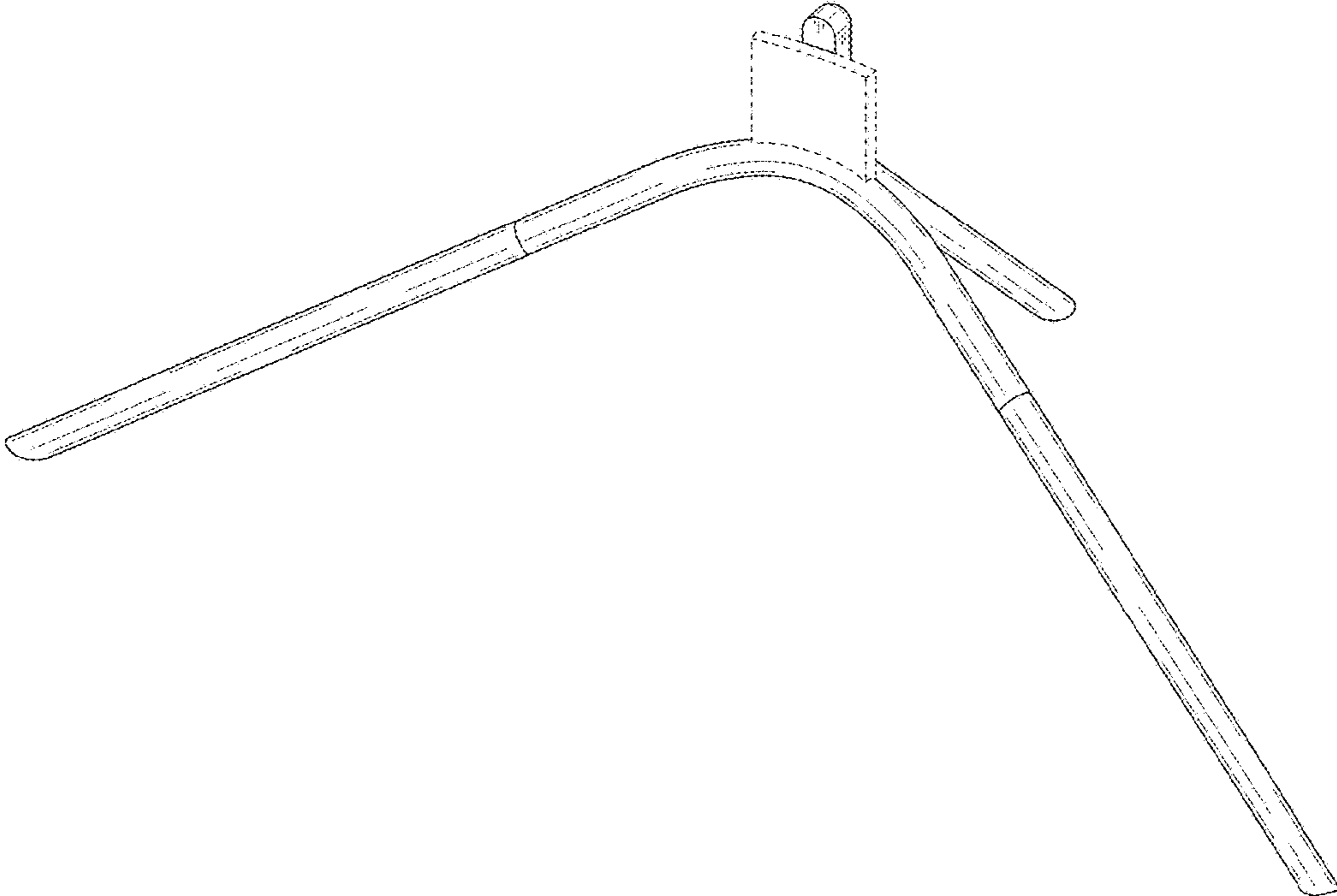


FIG. 2

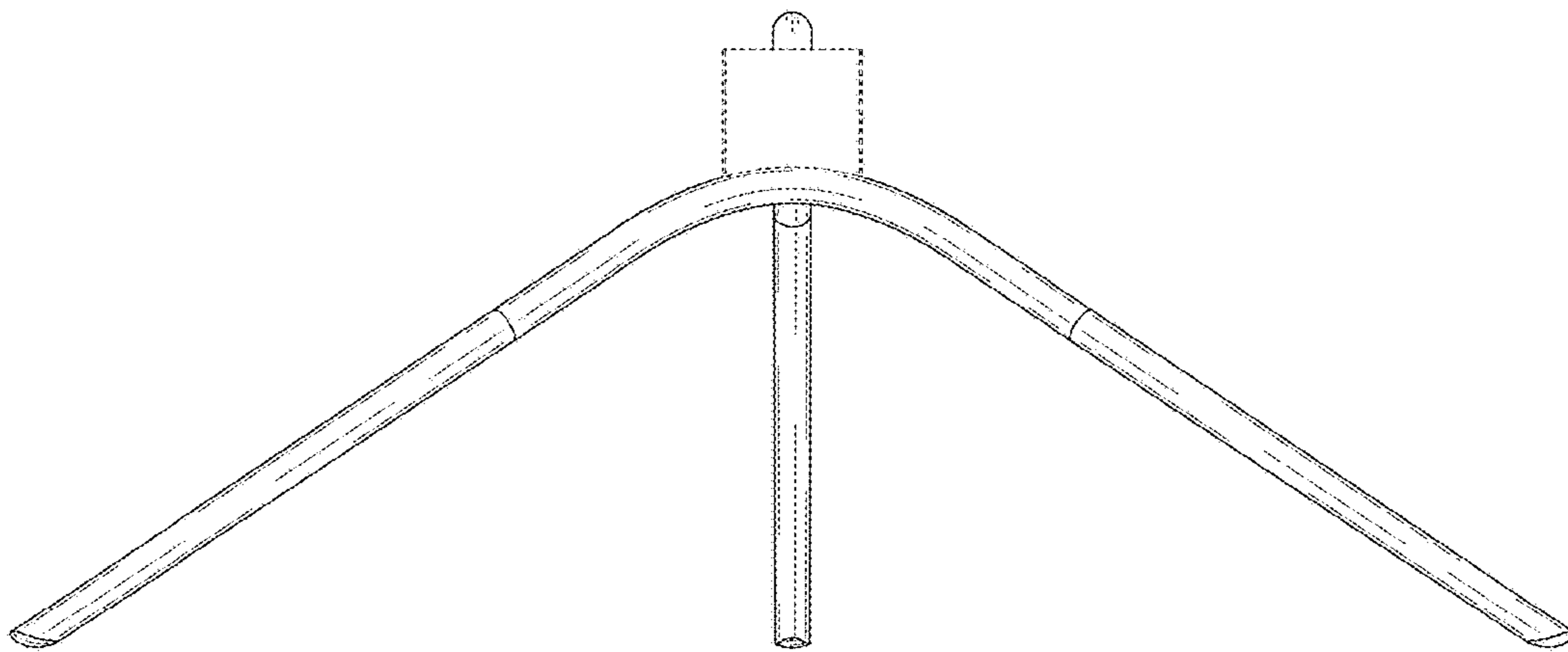


FIG. 3

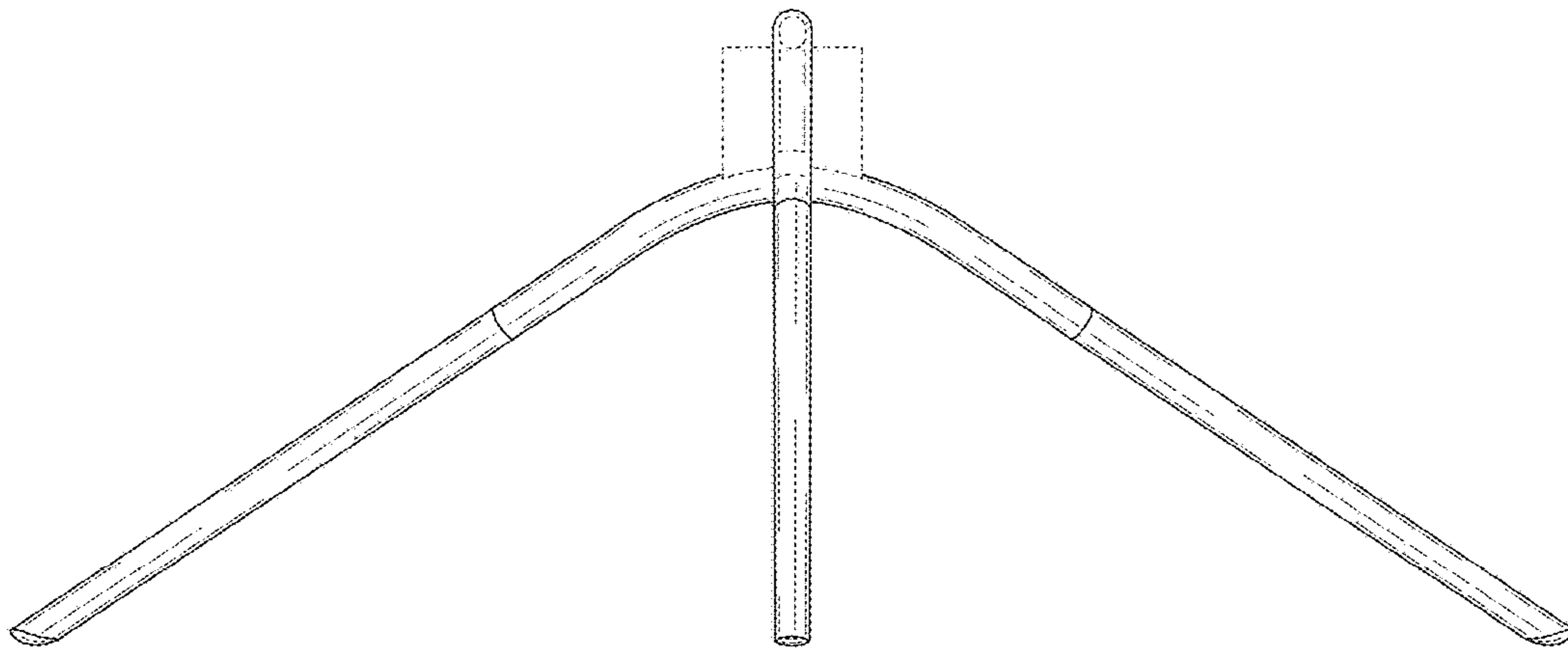


FIG. 4

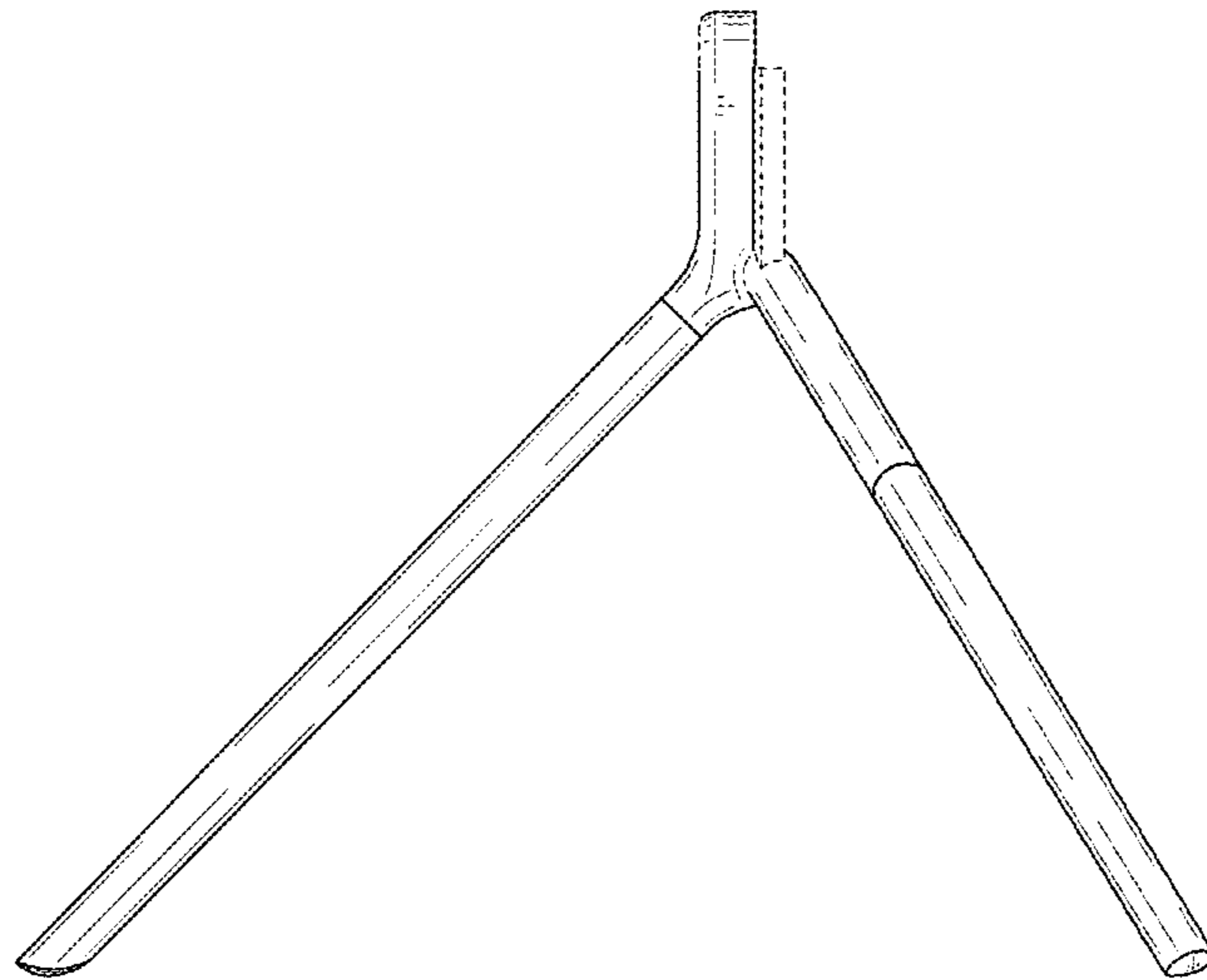


FIG. 5

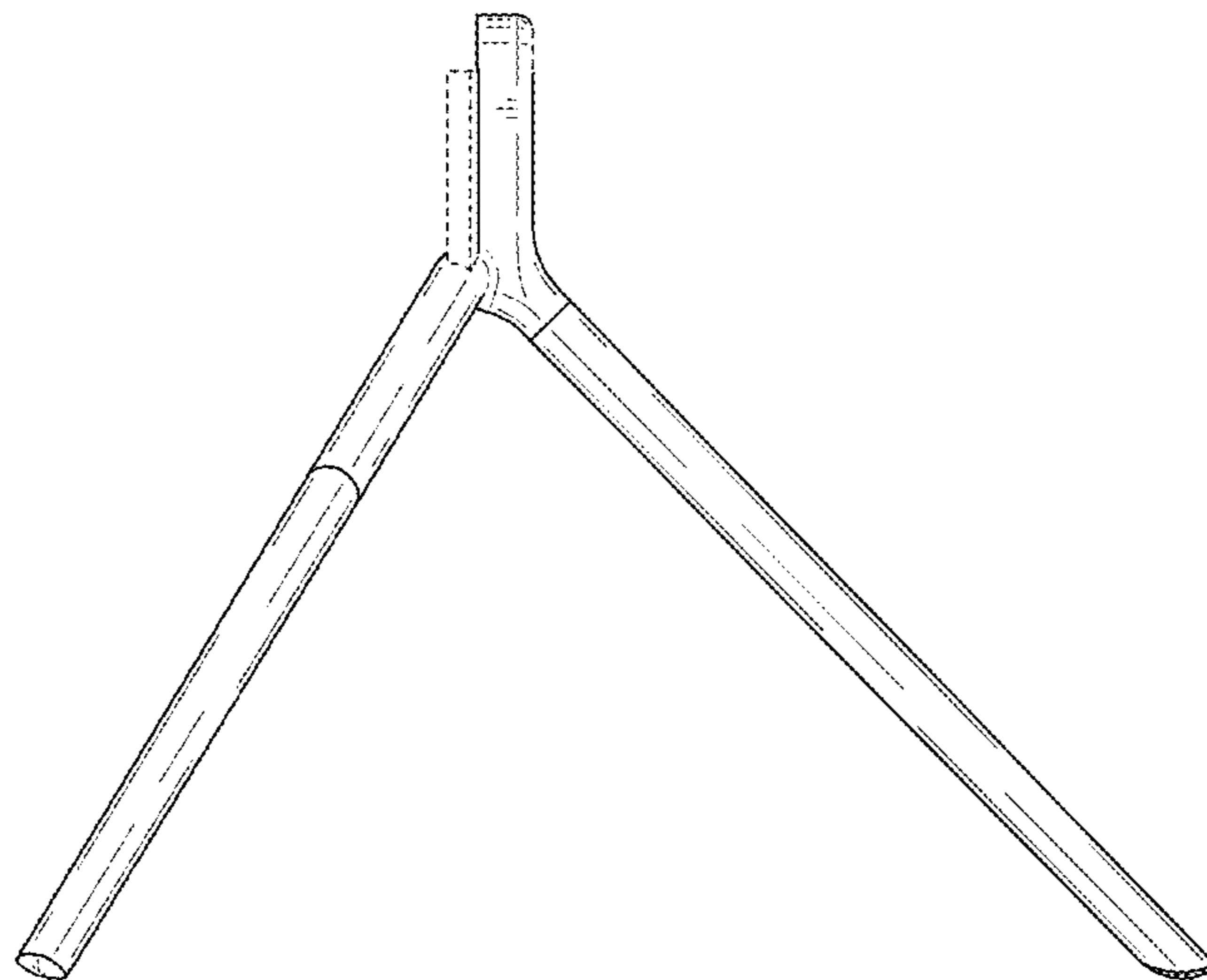


FIG. 6

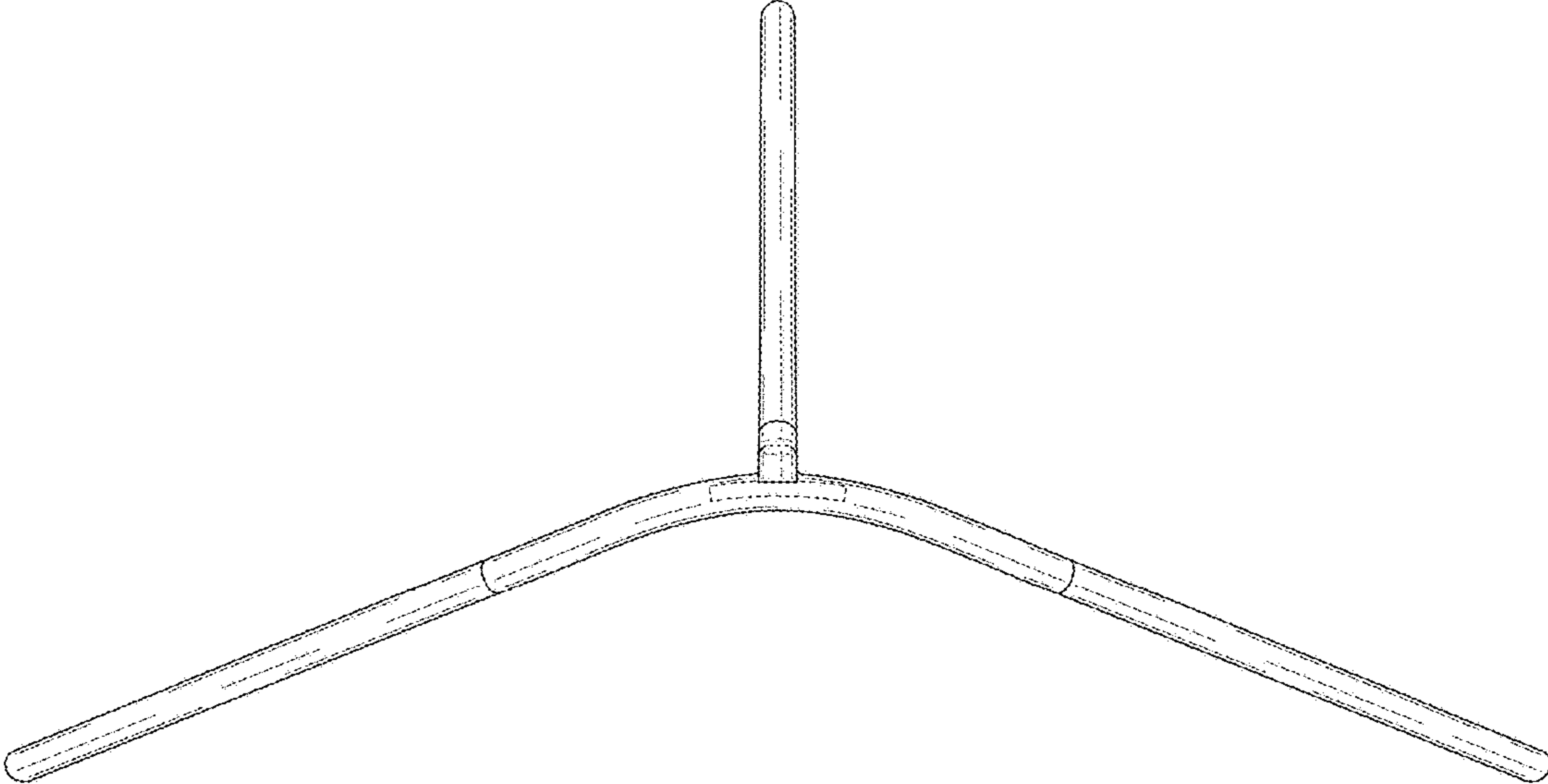


FIG. 7

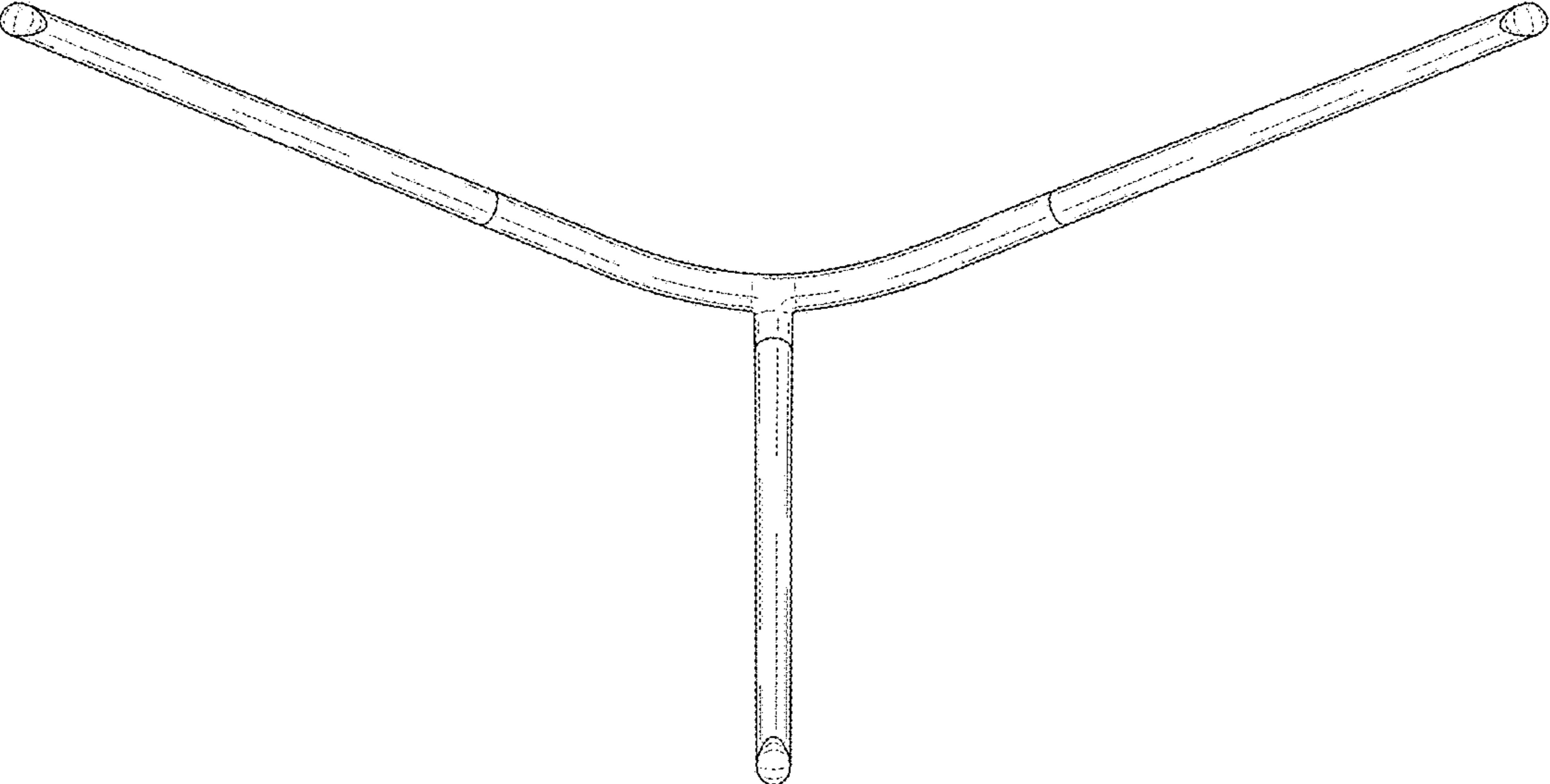


FIG. 8

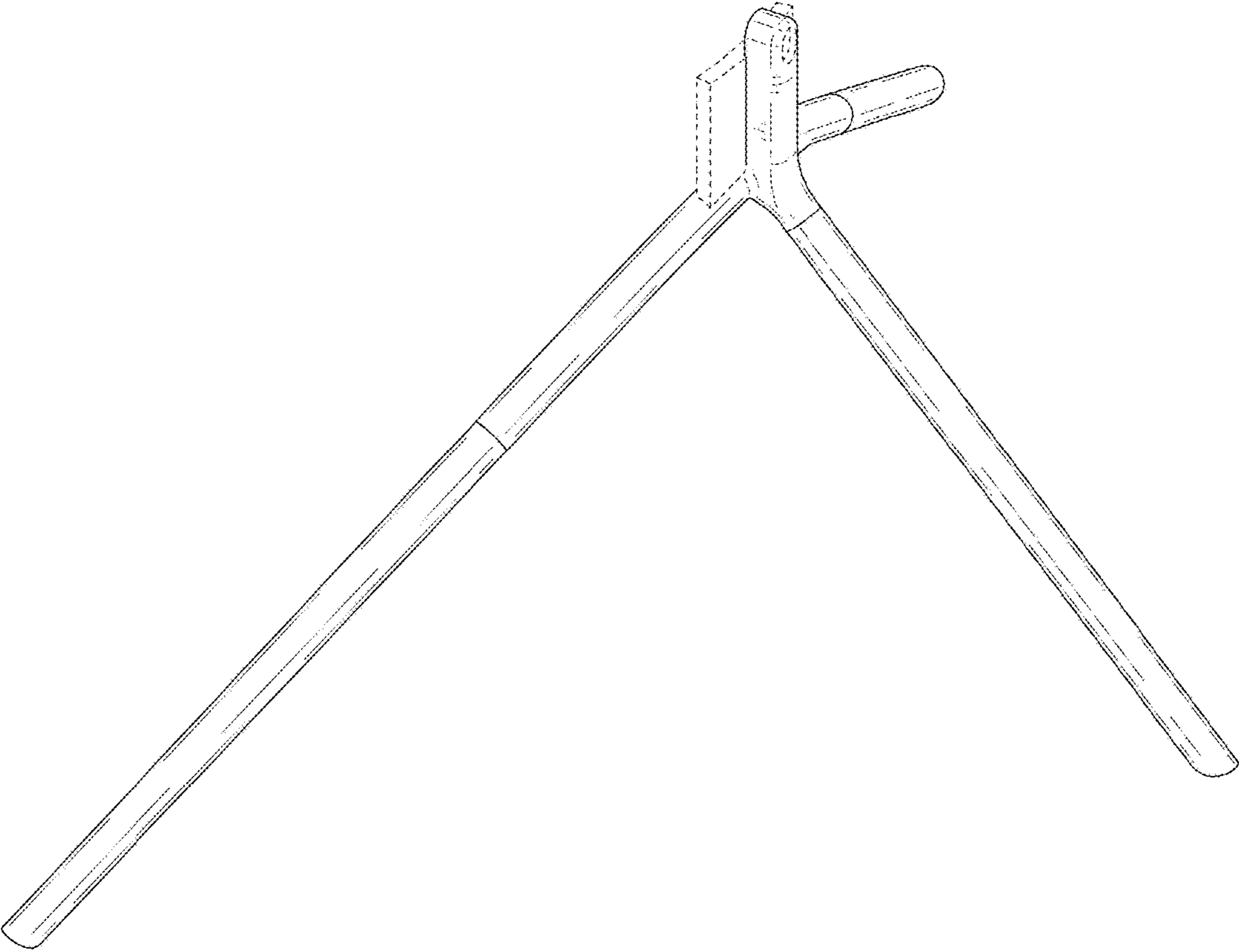


FIG. 9

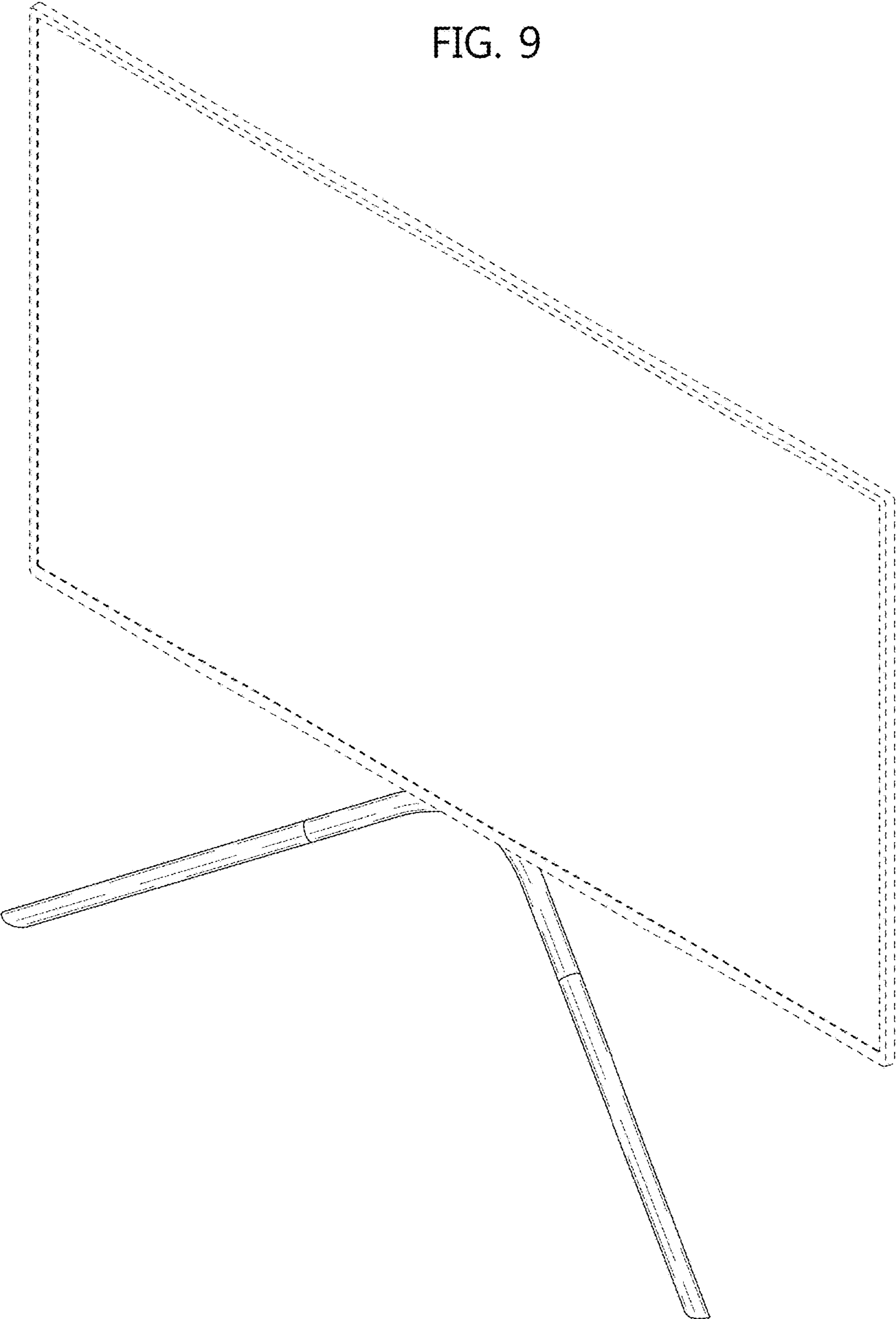


FIG. 10

