



US00D819616S

(12) **United States Design Patent** (10) **Patent No.:** **US D819,616 S**  
**So et al.** (45) **Date of Patent:** **\*\* Jun. 5, 2018**

(54) **TELEVISION RECEIVER**

(71) Applicant: **Samsung Electronics Co., Ltd.**,  
Suwon-si (KR)

(72) Inventors: **Kwanghyuck So**, Seoul (KR); **Seungho Lee**, Guri-si (KR); **Kyubok Lee**, Seoul (KR)

(73) Assignee: **SAMSUNG ELECTRONICS CO., LTD.**, Gyeonggi-Do (KR)

(\*\*) Term: **15 Years**

(21) Appl. No.: **29/595,309**

(22) Filed: **Feb. 27, 2017**

(30) **Foreign Application Priority Data**

Aug. 31, 2016 (KR) ..... 30-2016-0042806

(51) **LOC (11) Cl.** ..... **14-03**

(52) **U.S. Cl.**  
USPC ..... **D14/239**; D14/126

(58) **Field of Classification Search**  
USPC ..... D14/125-134, 239, 371, 136, 374-377,  
D14/440, 450, 448, 336, 342, 159;  
312/7.2; 348/836, 838, 180, 184, 325,  
348/739; 248/917-924, 465; 345/104,  
345/133, 156, 168, 87, 173; D21/329,  
D21/515, 577, 622, 333, 433, 448, 452,  
D21/450, 331, 505; D10/15, 26;  
446/484, 175, 356; D6/477, 479, 300;  
D20/10, 19, 39; D16/203, 241; 160/24  
CPC .... G06F 1/1601; G06F 1/1643; G06F 1/1652;  
G06F 1/1647; G06F 3/0412; H05K  
5/0004; H05K 5/0017; H05K 5/02; H05K  
5/0217; H04N 13/0459

See application file for complete search history.

(56) **References Cited**

U.S. PATENT DOCUMENTS

D680,508 S *	4/2013	Kim	.....	D14/126
D722,068 S *	2/2015	Jung	.....	D14/447
D725,062 S *	3/2015	Cho	.....	D14/126
D725,616 S *	3/2015	Oh	.....	D14/126
D728,498 S *	5/2015	Park	.....	D14/126
D742,846 S *	11/2015	Kang	.....	D14/126
D748,080 S *	1/2016	Jung	.....	D14/239
D750,093 S *	2/2016	Jung	.....	D14/451
D758,983 S *	6/2016	Kim	.....	D14/126
D763,213 S *	8/2016	Ann	.....	D14/126

\* cited by examiner

*Primary Examiner* — Randall H Gholson

(74) *Attorney, Agent, or Firm* — Cantor Colburn LLP

(57) **CLAIM**

The ornamental design for a television receiver, as shown and described.

**DESCRIPTION**

FIG. 1 is a front perspective view of a television receiver showing our new design in accordance with a first embodiment;

FIG. 2 is a front view thereof;

FIG. 3 is a rear view thereof;

FIG. 4 is a left side view thereof;

FIG. 5 is a right side view thereof;

FIG. 6 is a top view thereof;

FIG. 7 is a bottom view thereof;

FIG. 8 is a rear perspective view thereof; and,

FIG. 9 is a front perspective view thereof, in a different environment.

The broken lines illustrating portions of the television receiver form no part of the claimed design.

**1 Claim, 9 Drawing Sheets**

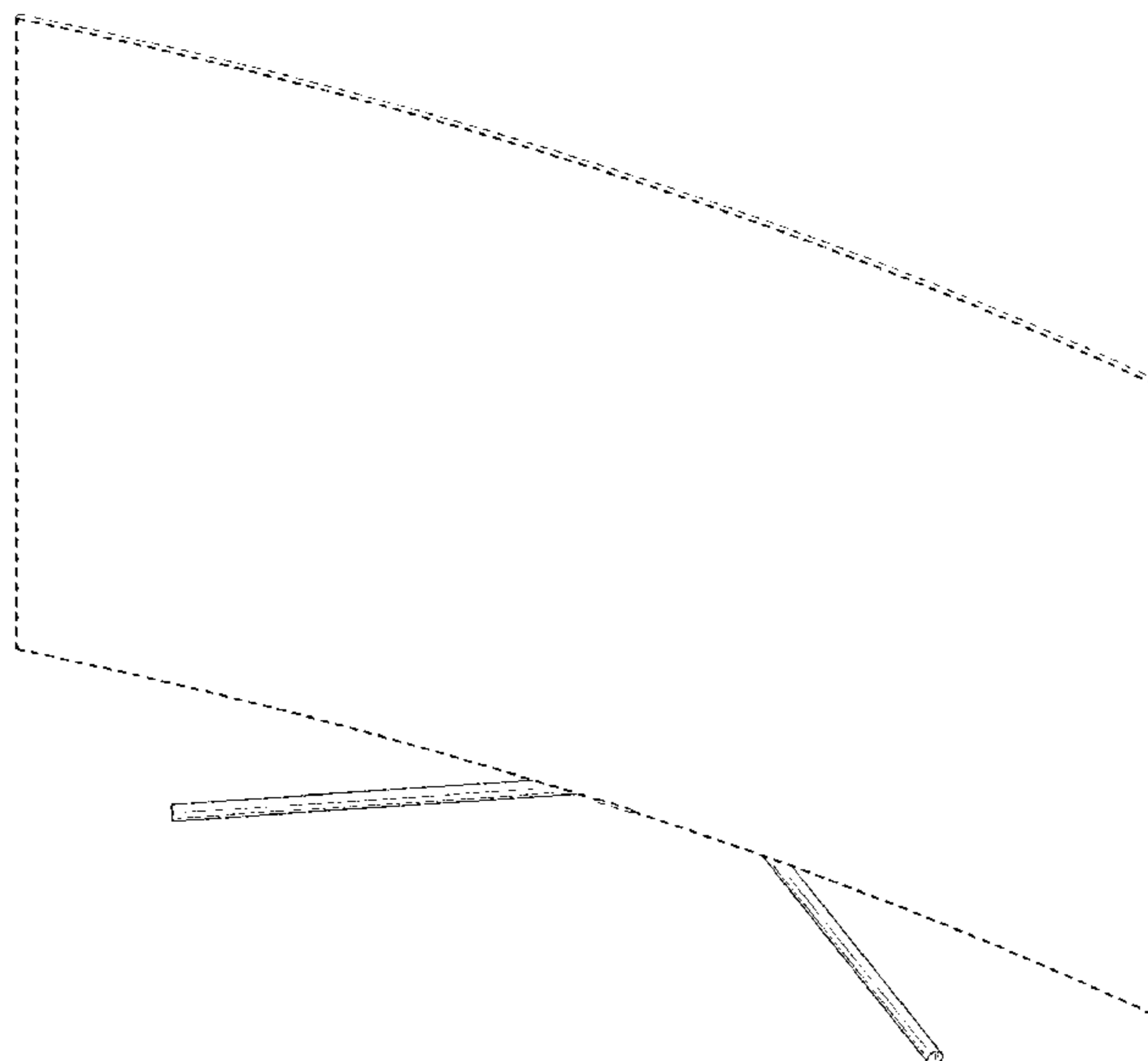


FIG. 1

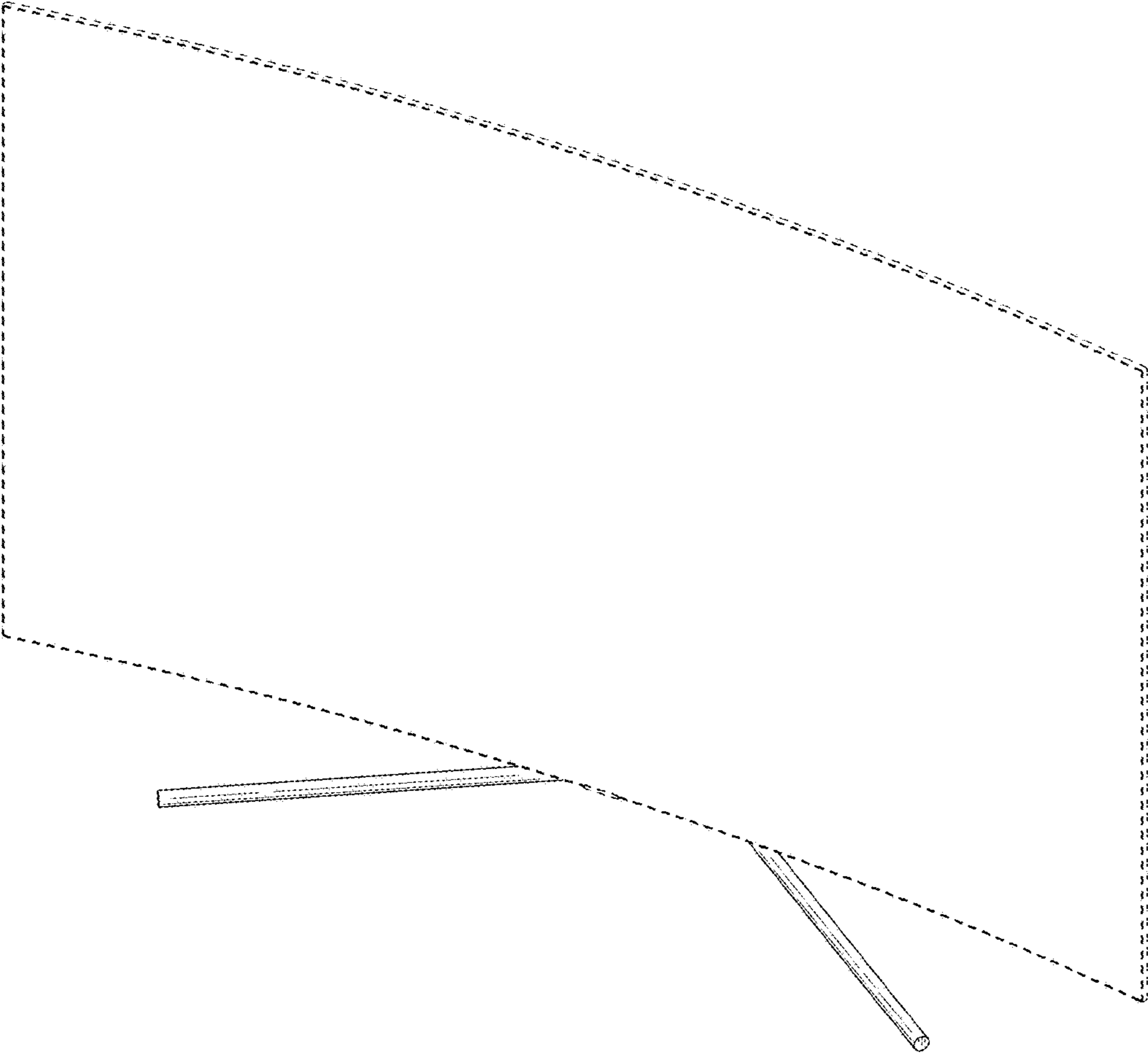


FIG. 2

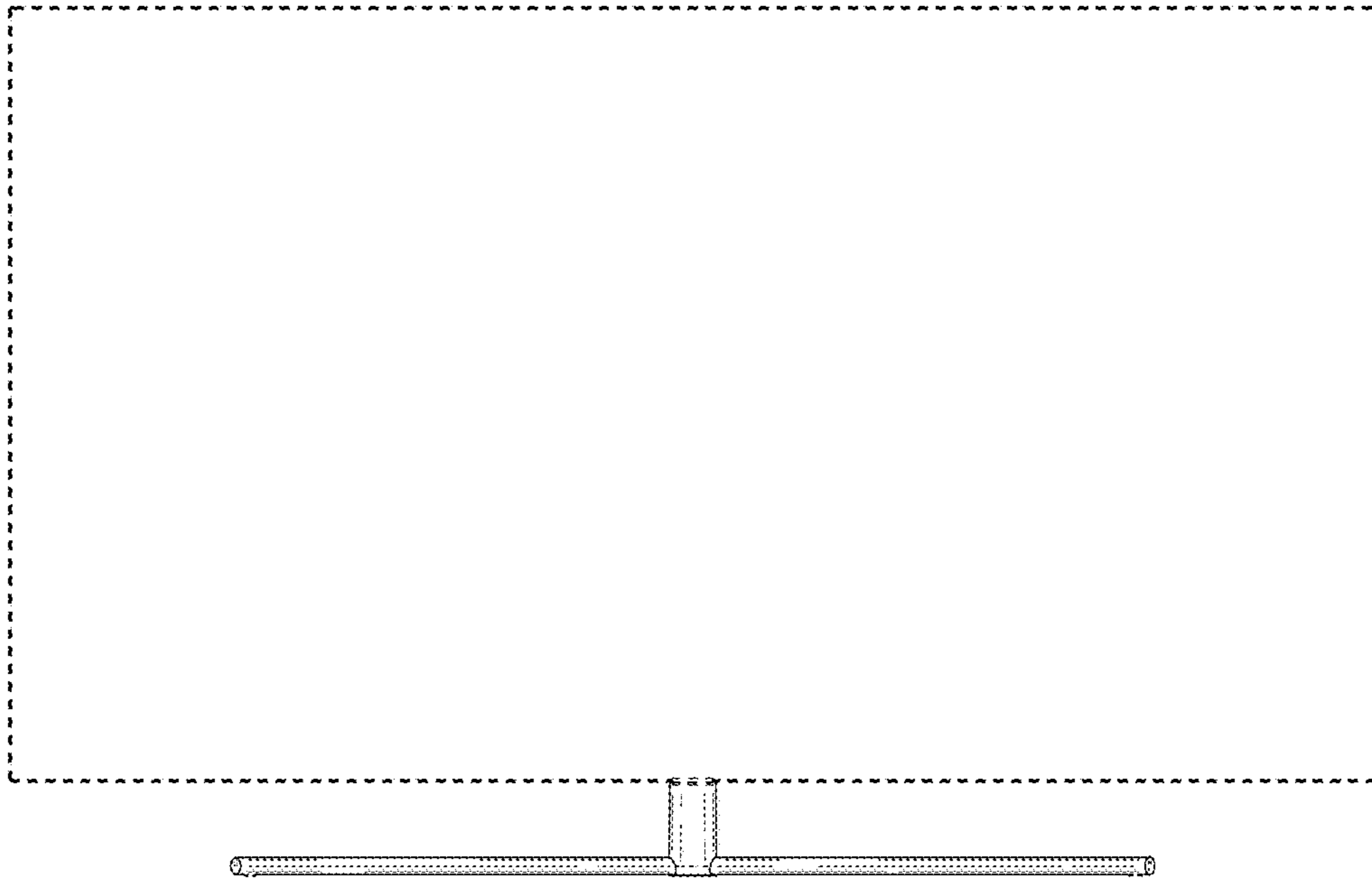


FIG. 3

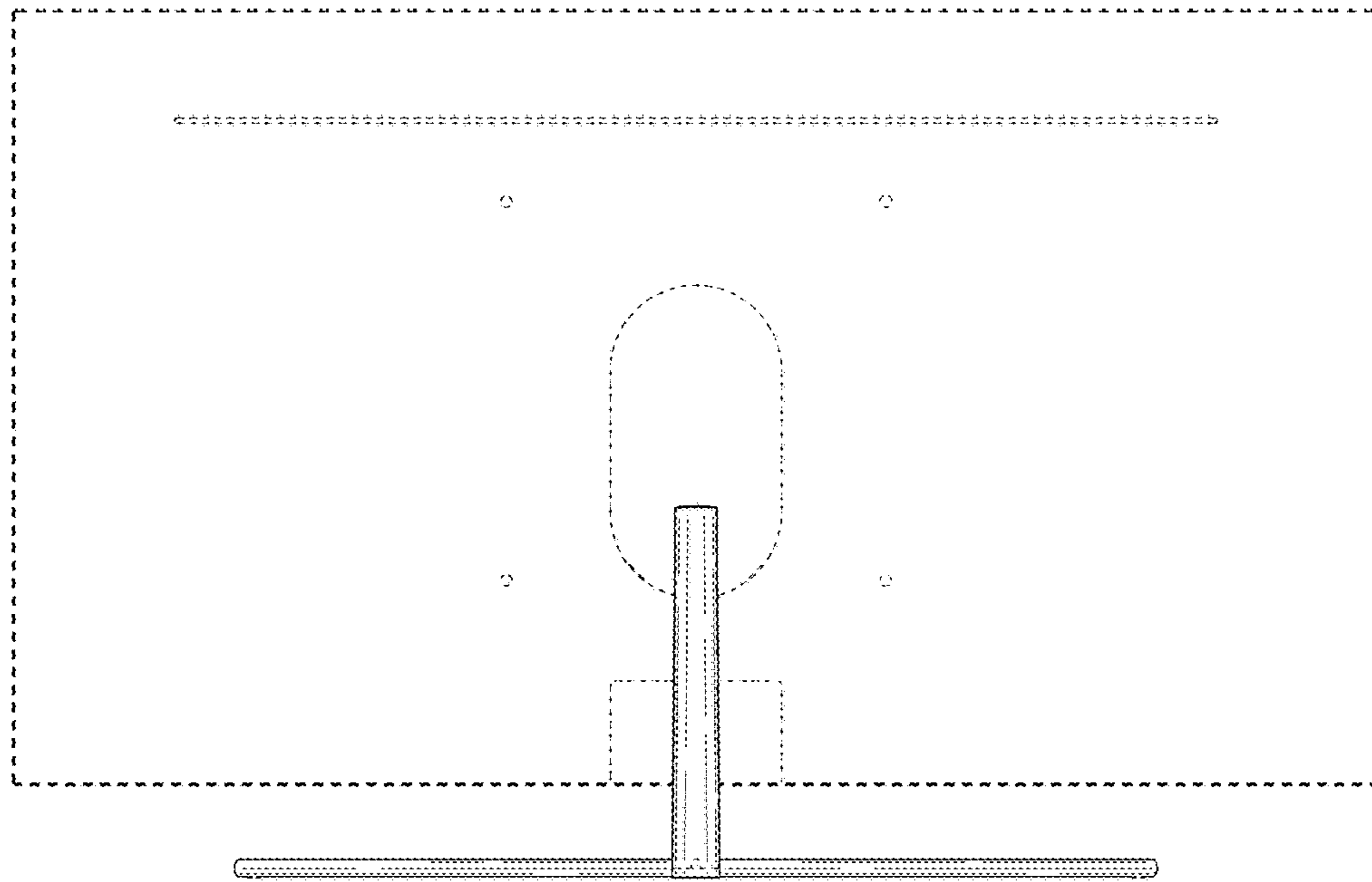


FIG. 4

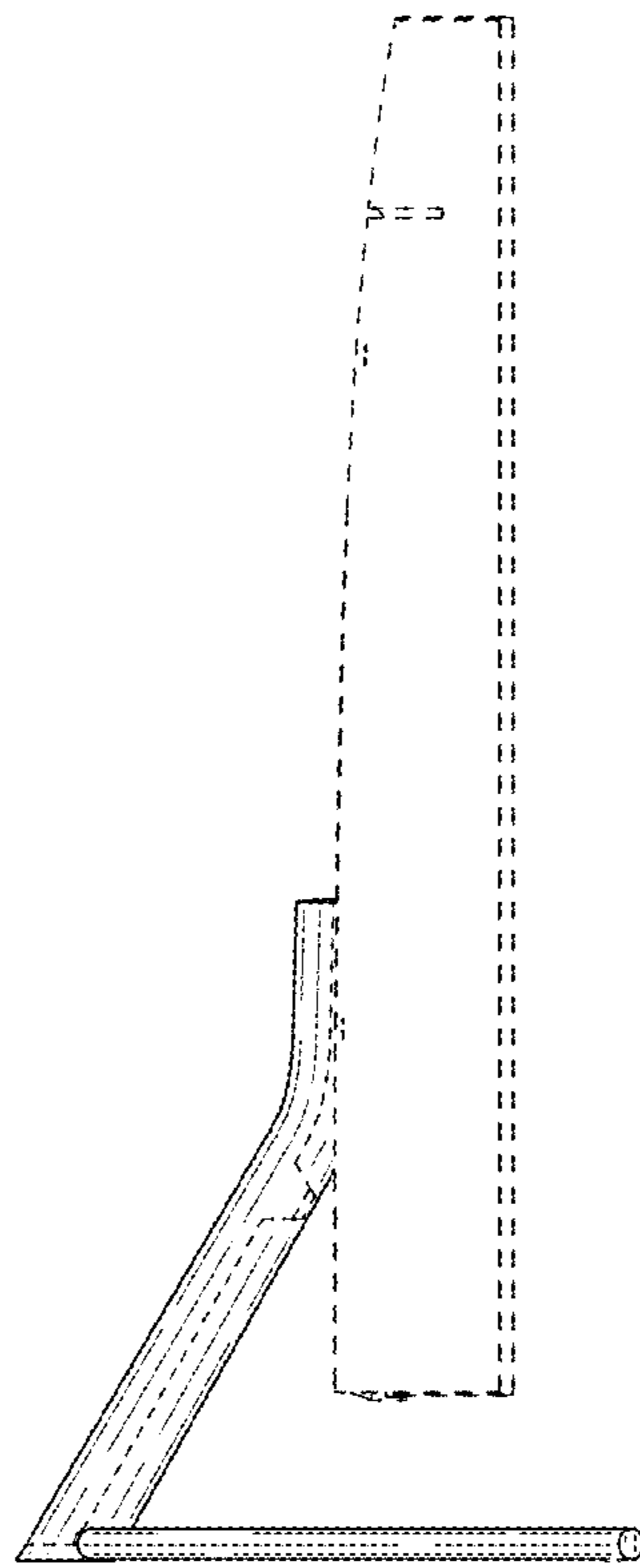


FIG. 5

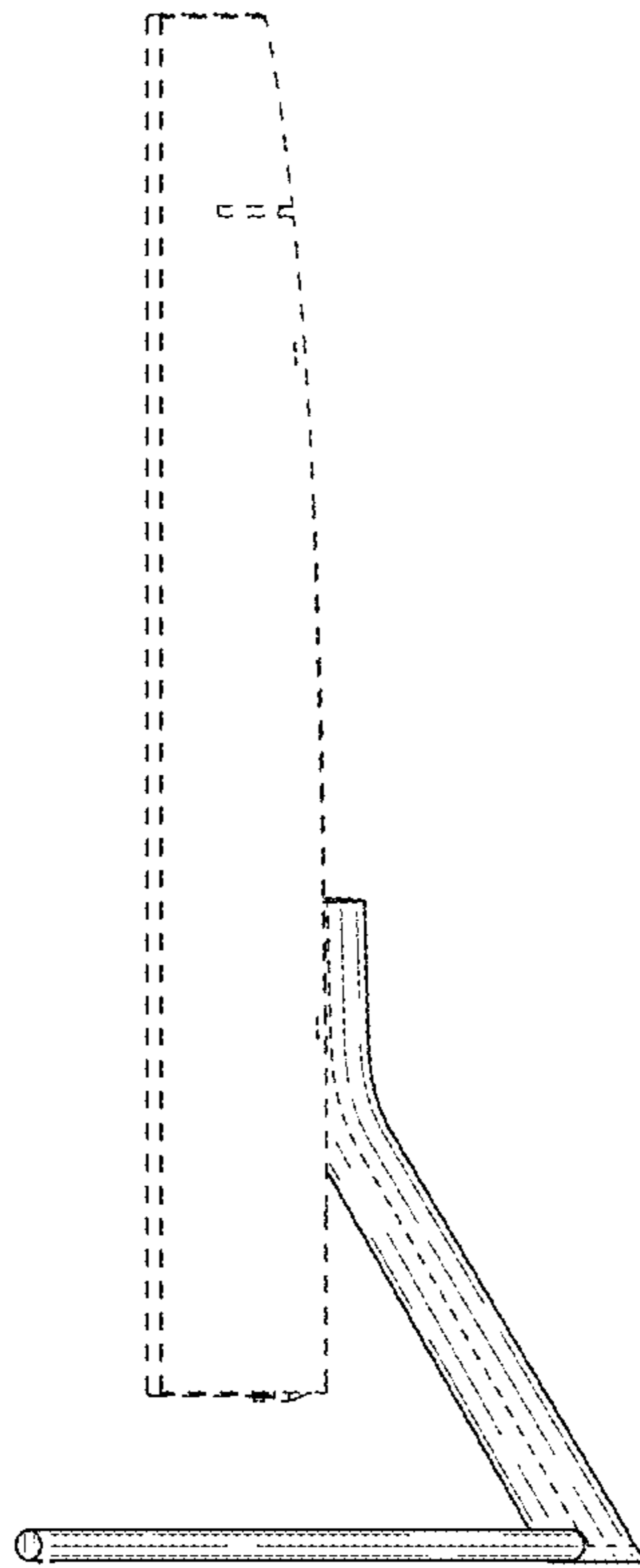


FIG. 6

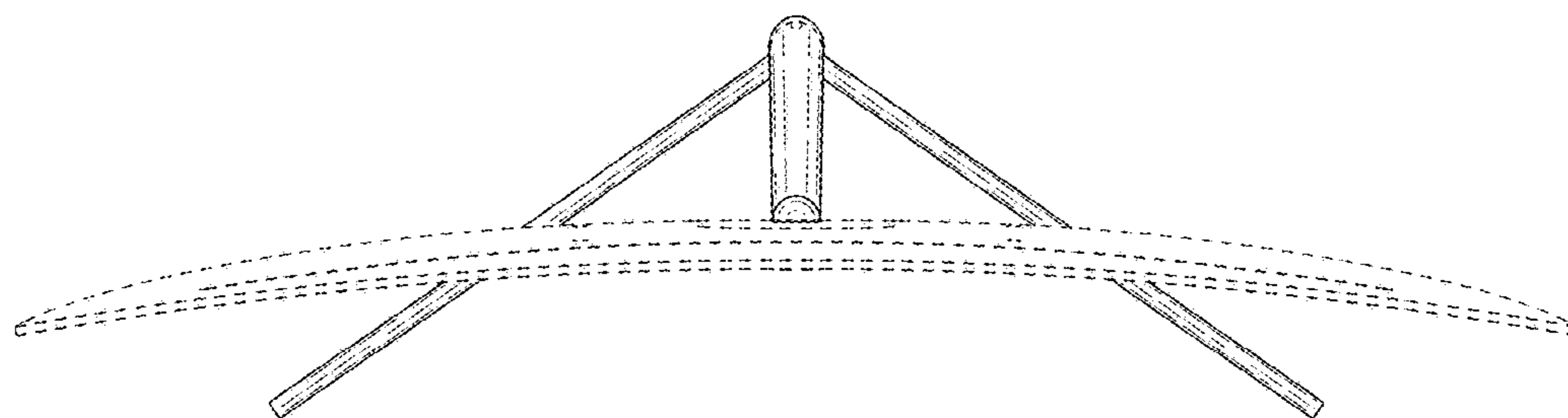
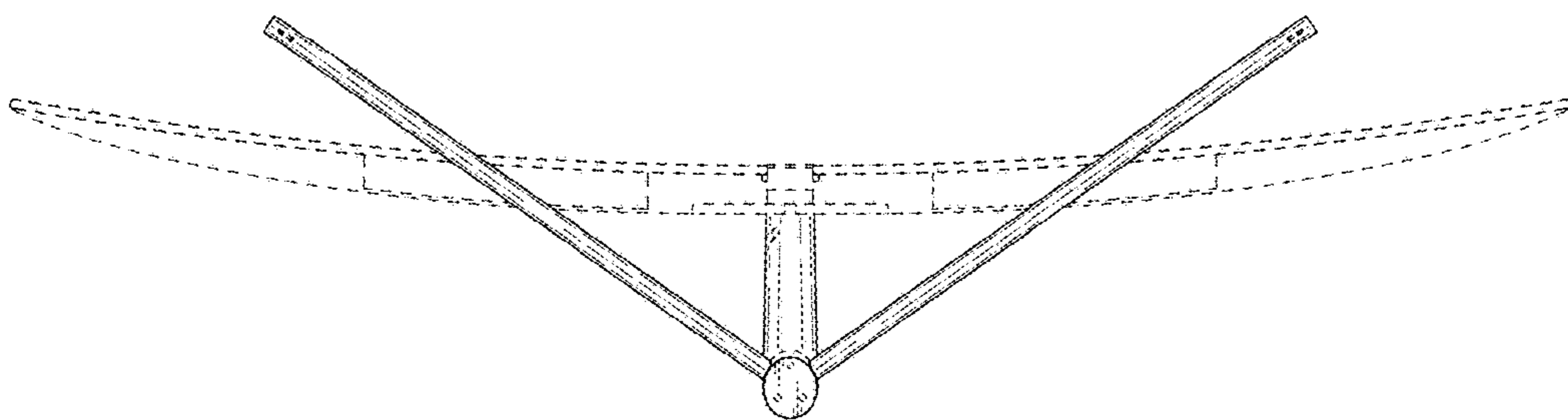


FIG. 7





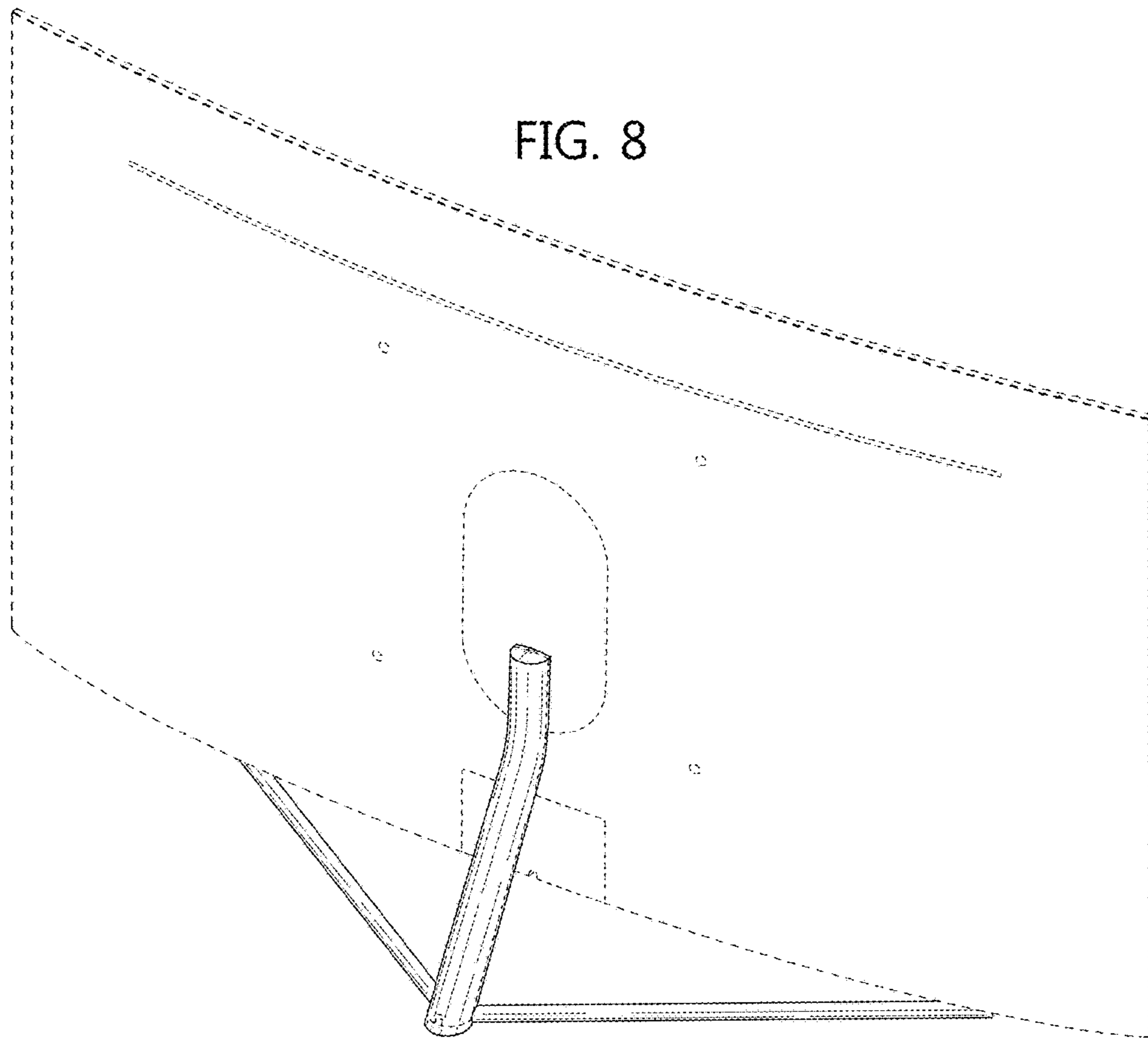


FIG. 9

