



US00D819613S

(12) **United States Design Patent** (10) **Patent No.:** **US D819,613 S**
Trachtenberg et al. (45) **Date of Patent:** **** Jun. 5, 2018**

(54) **DISPLAY DEVICE**

(71) Applicants: **Marc Trachtenberg**, New York, NY (US); **Francois Gariepy**, Westmount (CA)

(72) Inventors: **Marc Trachtenberg**, New York, NY (US); **Francois Gariepy**, Westmount (CA)

(73) Assignee: **Videri, Inc.**, New York, NY (US)

(**) Term: **15 Years**

(21) Appl. No.: **29/592,111**

(22) Filed: **Jan. 26, 2017**

(51) **LOC (11) Cl.** **14-03**

(52) **U.S. Cl.**
USPC **D14/239**

(58) **Field of Classification Search**
USPC D14/125-134, 239, 371, 136, 374-377, D14/440, 450, 448, 336, 342, 159; 312/7.2; 348/836, 838, 180, 184, 325, 348/739; 248/917-924, 465; 345/104, 345/133, 156, 168, 87, 173; D21/329, D21/515, 577, 622, 333, 433, 448, 452, D21/450, 331, 505; D10/15, 26; 446/484, 175, 356; D6/477, 479, 300; D24/185; D34/14
CPC ... G06F 1/1601; G06F 1/1643; H05K 5/0004; H05K 5/0017; H05K 5/02; H05K 5/0217
See application file for complete search history.

(56) **References Cited**

U.S. PATENT DOCUMENTS

D433,406 S *	11/2000	Suzuki	D14/239
D595,278 S *	6/2009	Chu	D14/239
D626,407 S *	11/2010	Tedesco	D8/380
D684,147 S *	6/2013	Stifal	D14/239
D694,739 S *	12/2013	Badillo	D14/239
D703,643 S *	4/2014	Badillo	D14/247
9,062,816 B2 *	6/2015	Kulkarni	F16M 11/10

* cited by examiner

Primary Examiner — Randall H Gholson

(74) *Attorney, Agent, or Firm* — Pryor Cashman LLP

(57) **CLAIM**

The ornamental design for a display device, substantially as shown and described.

DESCRIPTION

FIG. 1 is an angled front view of the design;
FIG. 2 is a front view of the design;
FIG. 3 is a back view of the design;
FIG. 4 is a right side view of the design;
FIG. 5 is a left side view of the design;
FIG. 6 is a top view of the design;
FIG. 7 is a bottom view of the design;
FIG. 8 is a detailed exterior view of a portion of the design;
FIG. 9 is a detailed view of another portion of the design;
FIG. 10 is a detailed interior view of another portion of the design;
FIG. 11 is a detailed view of another portion of the design;
and,
FIG. 12 is a detailed view of another portion of the design.

1 Claim, 7 Drawing Sheets

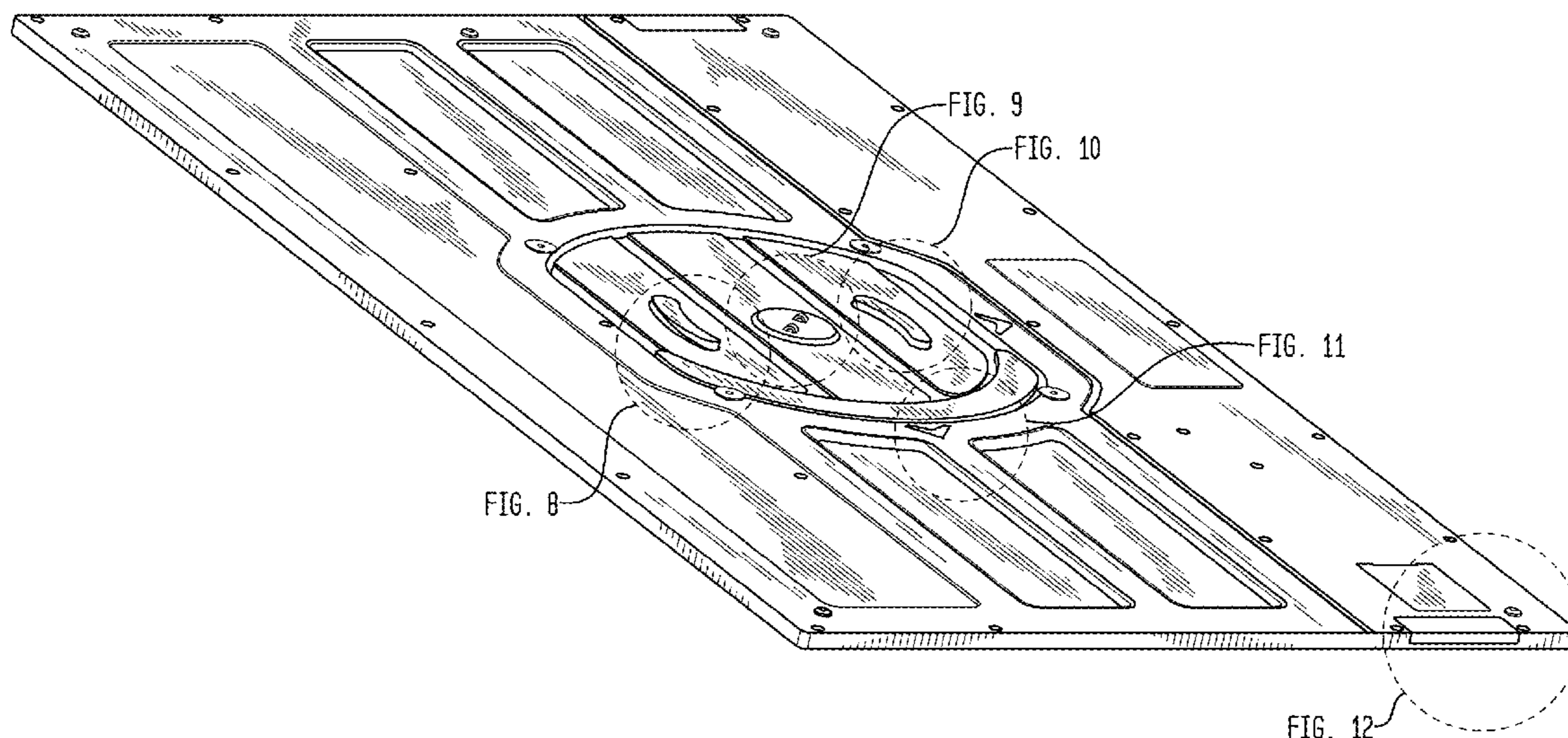


FIG. 1

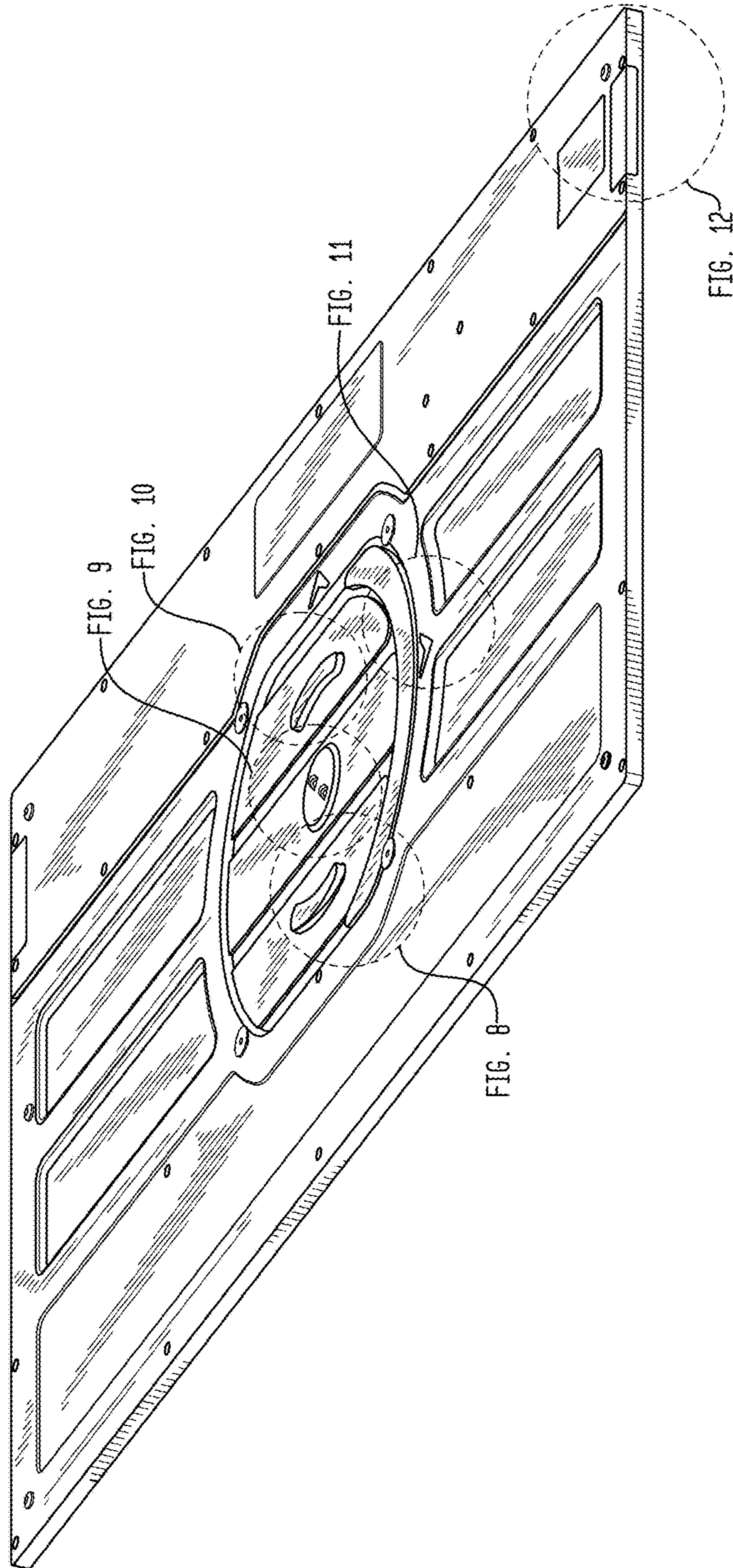


FIG. 2

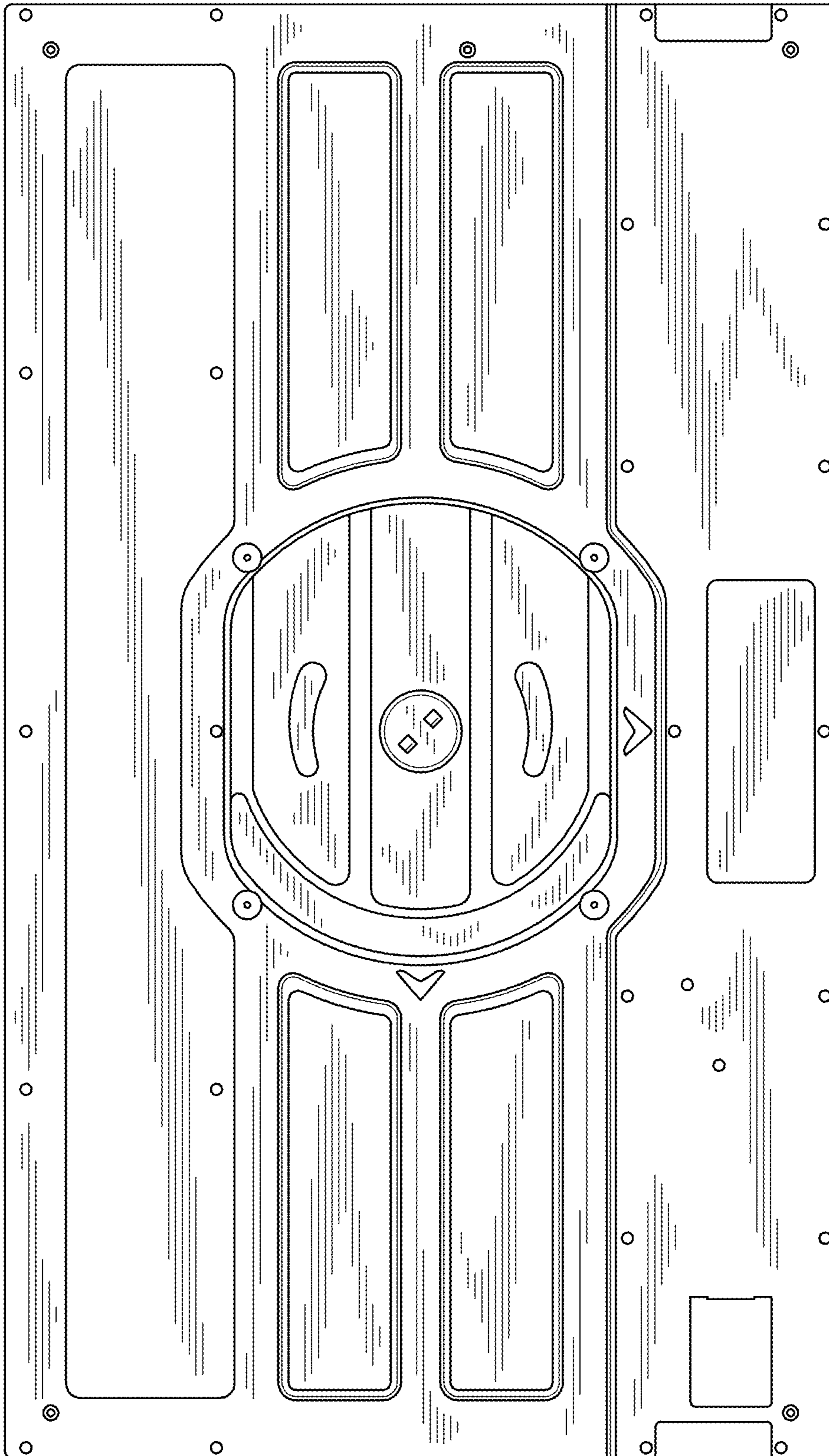


FIG. 3

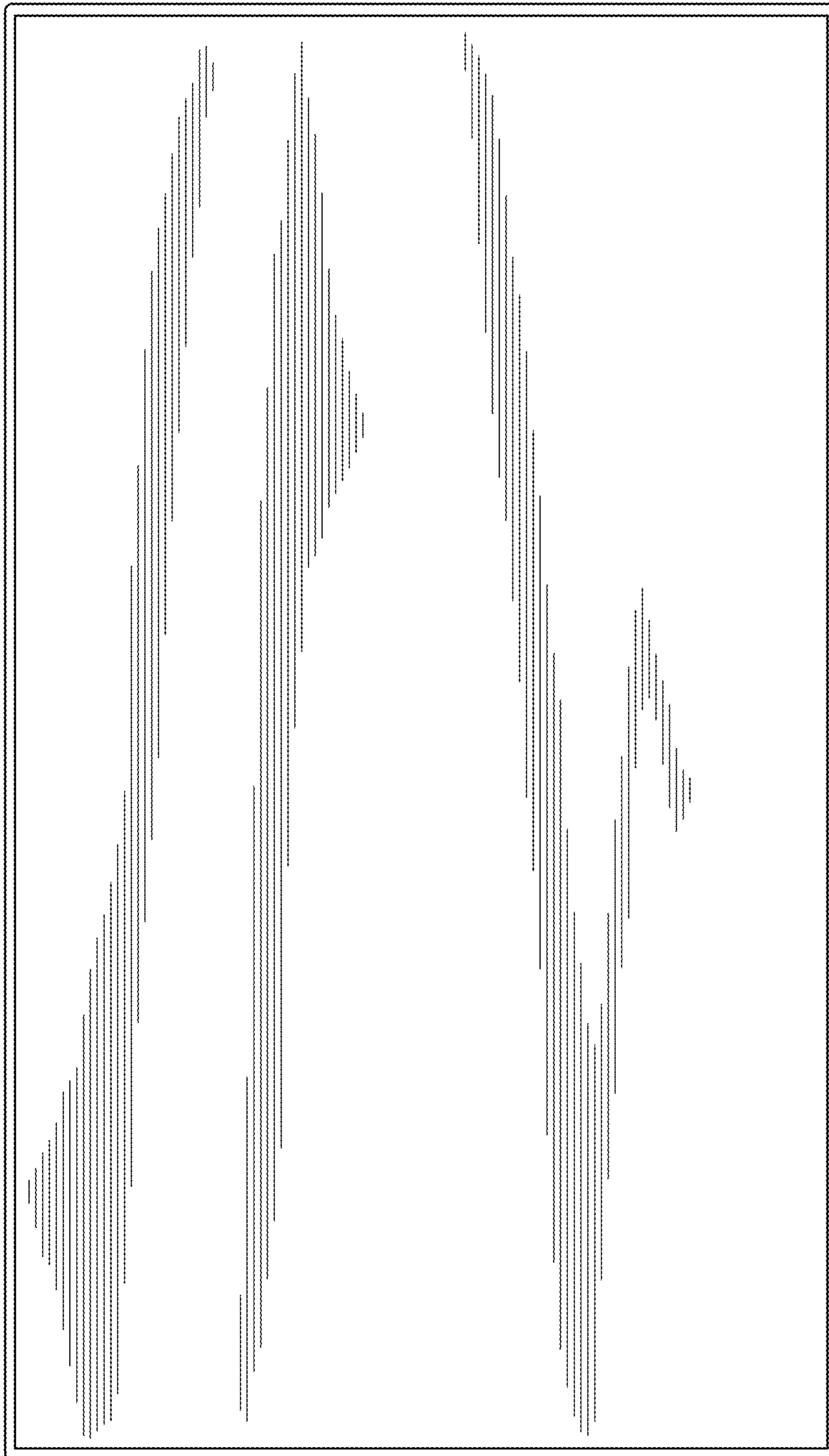


FIG. 4



FIG. 5



FIG. 6



FIG. 7

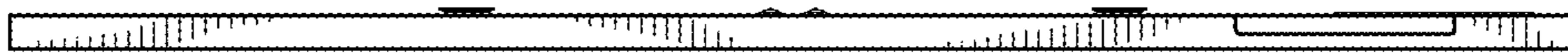


FIG. 8

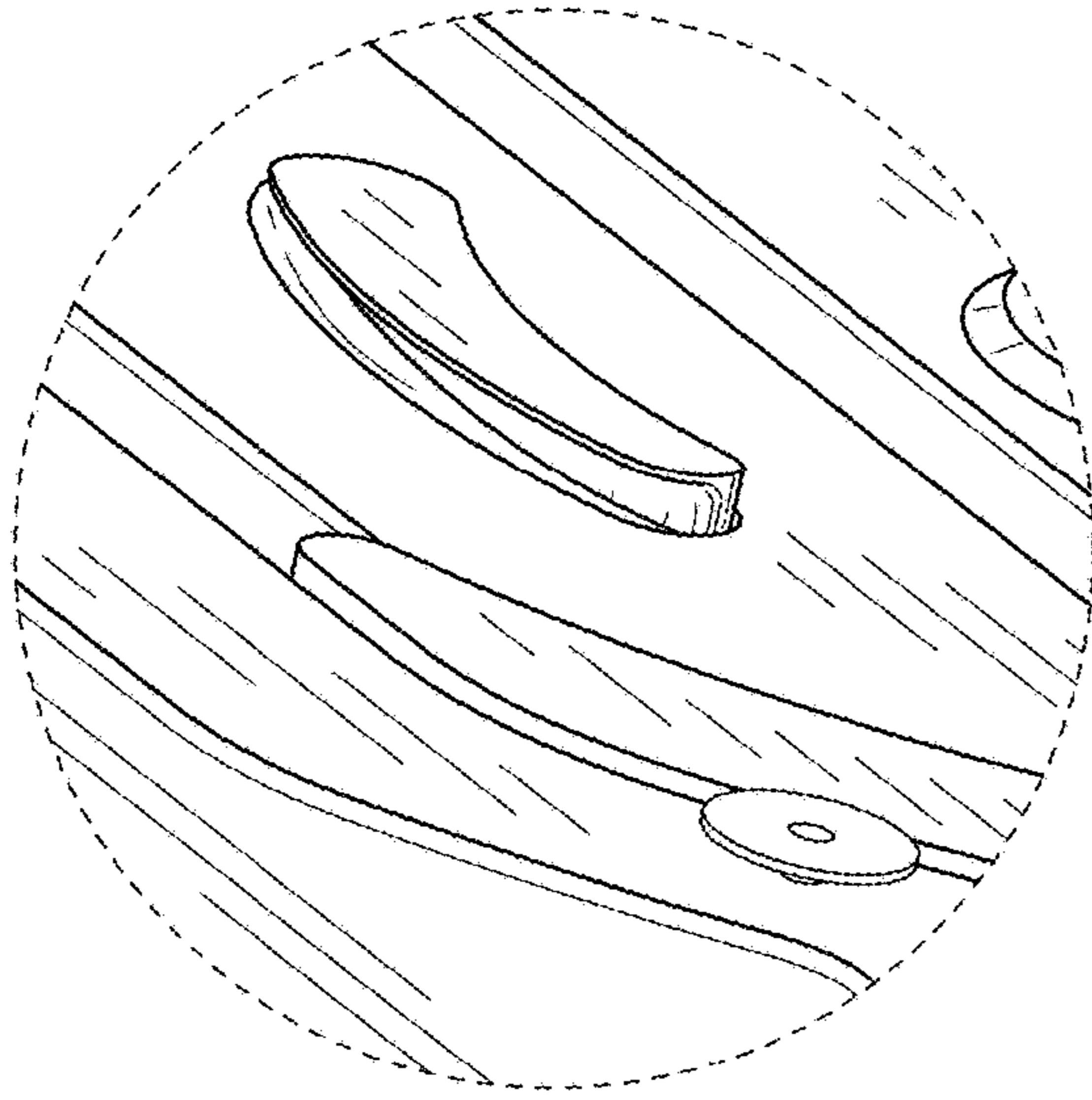


FIG. 9

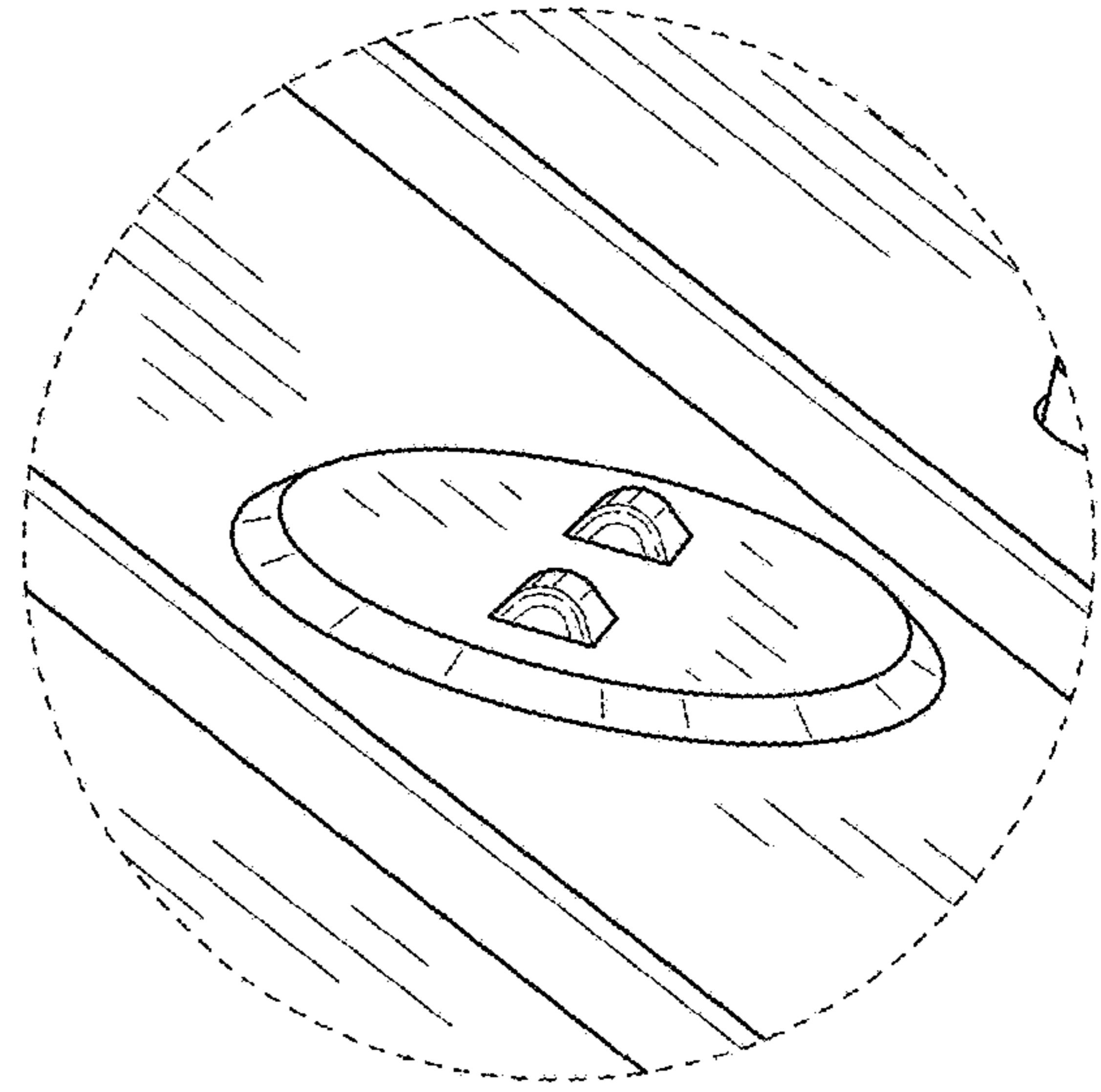


FIG. 10

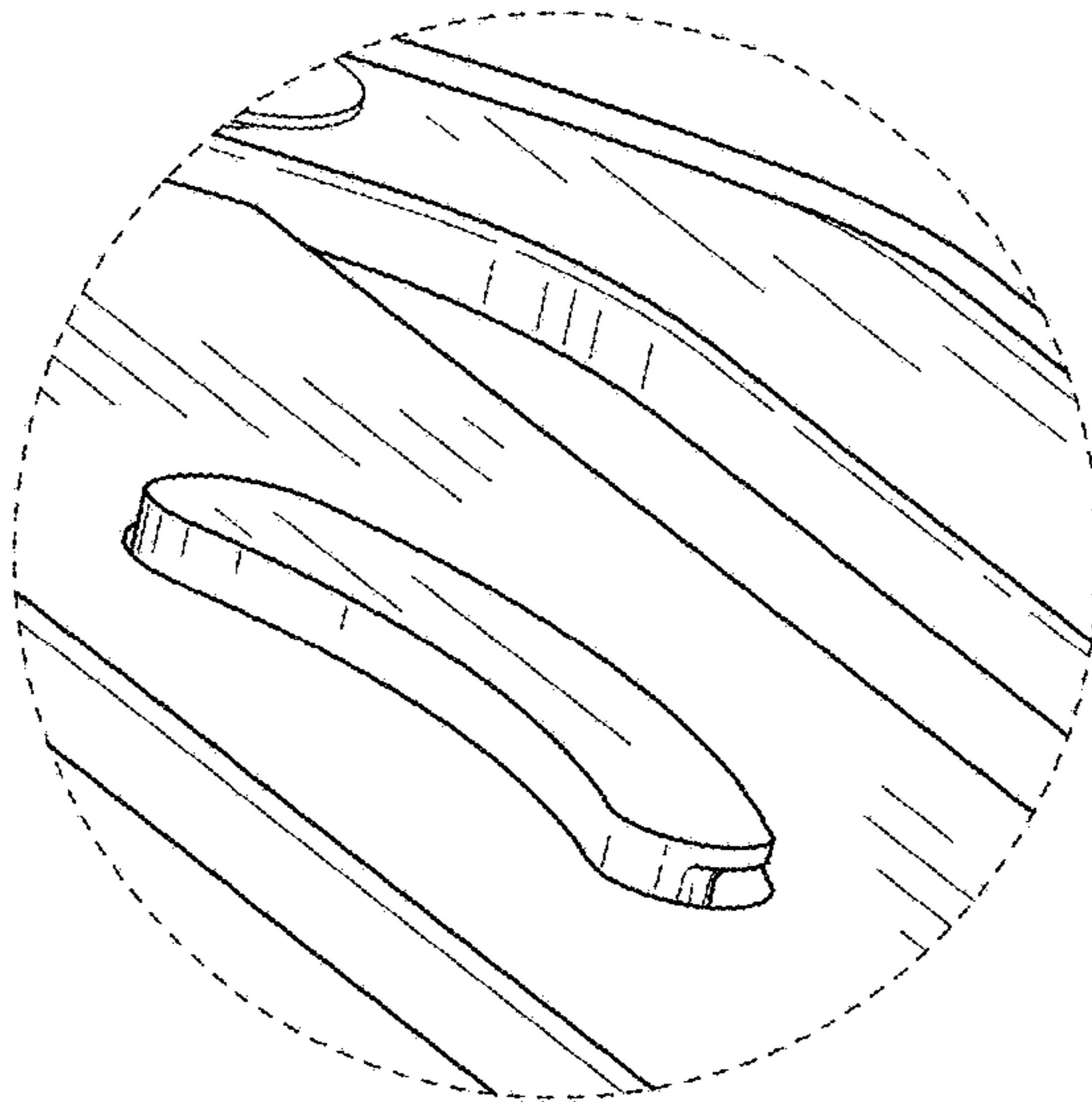


FIG. 11

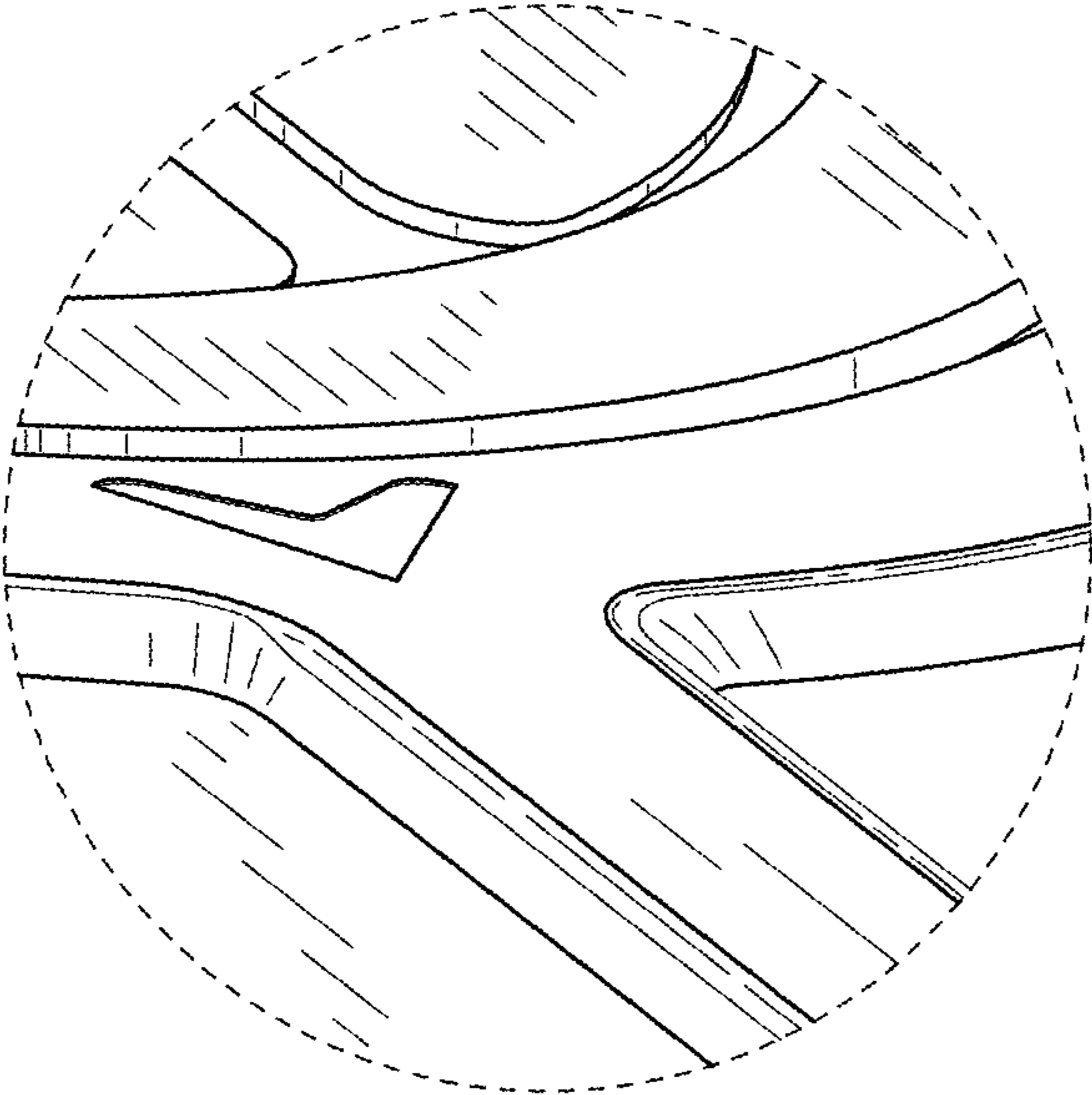


FIG. 12

