



US00D819611S

(12) **United States Design Patent** (10) **Patent No.:** **US D819,611 S**
Kushita et al. (45) **Date of Patent:** **** Jun. 5, 2018**

(54) **ANTENNA**
(71) Applicant: **KUBOTA CORPORATION**, Osaka-Fu (JP)
(72) Inventors: **Yoshihiro Kushita**, Sakai (JP); **Mika Mitsumori**, Sakai (JP)
(73) Assignee: **Kubota Corporation**, Osaka (JP)
(**) Term: **15 Years**
(21) Appl. No.: **35/501,603**
(22) Filed: **Jun. 14, 2016**
(80) **Hague Agreement Data**
Int. Filing Date: **Jun. 14, 2016**
Int. Reg. No.: **DM/092413**
Int. Reg. Date: **Jun. 14, 2016**
Int. Reg. Pub. Date: **Sep. 23, 2016**

(30) **Foreign Application Priority Data**
Jan. 13, 2016 (JP) 2016-000523
(51) **LOC (11) Cl.** **14-03**
(52) **U.S. Cl.**
USPC **D14/230**
(58) **Field of Classification Search**
USPC D14/238, 233, 230; D3/273; D12/401, D12/410, 413
CPC H01Q 1/38; H01Q 1/22; H01Q 1/243; H01Q 1/3275; H01Q 1/32; H04W 88/02; H04W 12/06; H04W 88/00; H04W 88/06; H04W 52/18; H04W 88/085; H04W 28/048; H04W 72/085
See application file for complete search history.

(56) **References Cited**
U.S. PATENT DOCUMENTS
D429,720 S * 8/2000 Strand D14/230
D470,480 S * 2/2003 Ikeda D14/230
D502,807 S * 3/2005 Jaron D3/273
D519,914 S * 5/2006 Klein D12/413
D519,991 S * 5/2006 Chapman D14/230
D581,908 S * 12/2008 Jeong D14/230
D670,230 S * 11/2012 Kataoka D12/410
D681,018 S * 4/2013 Hakamata D14/230
D728,391 S * 5/2015 Olivieri et al.
D730,879 S * 6/2015 Kato D14/230
D731,905 S * 6/2015 Olivieri et al.
D748,611 S * 2/2016 Sato D14/230
D776,601 S * 1/2017 McDonald, II D12/401

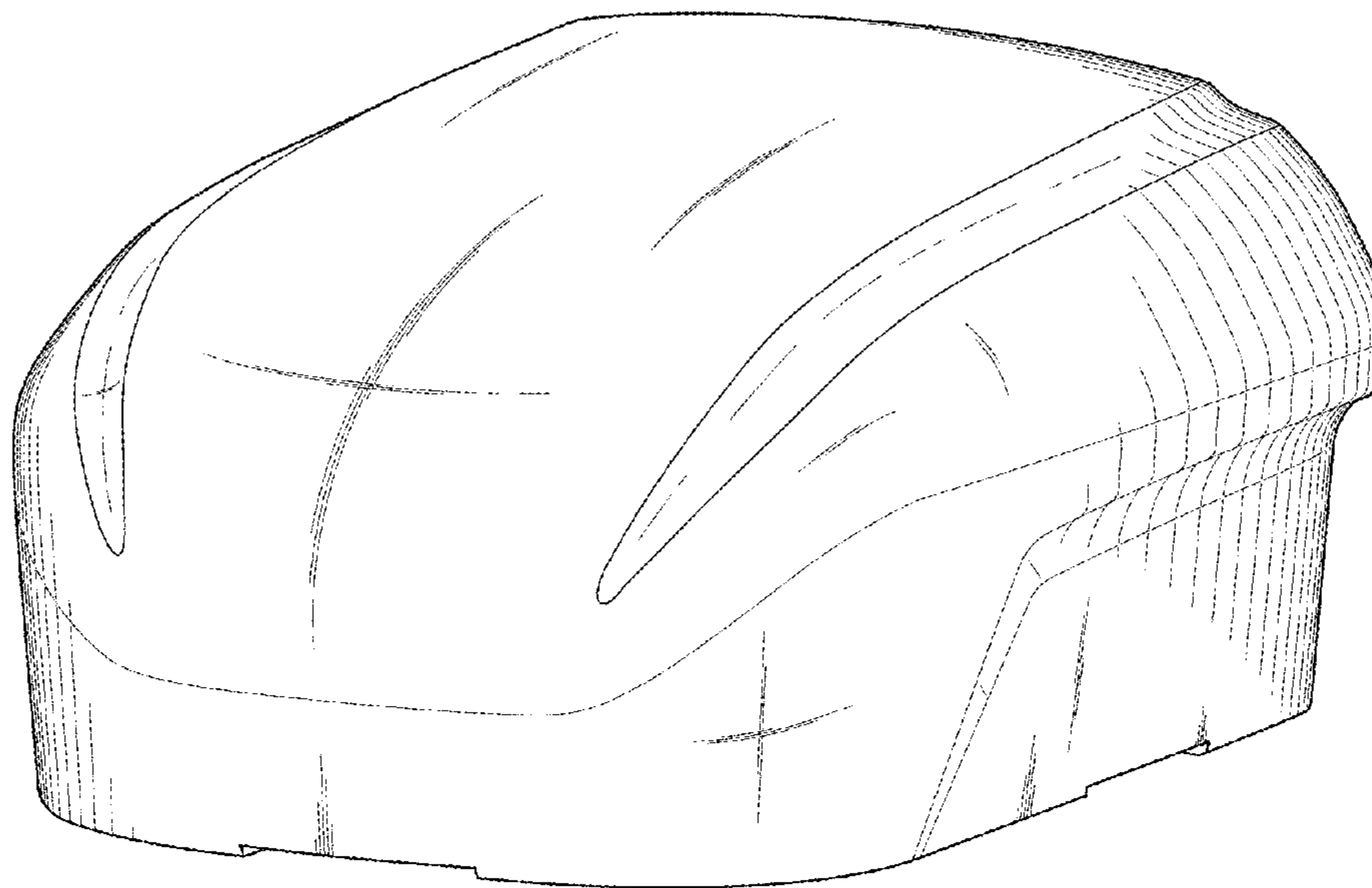
* cited by examiner
Primary Examiner — Manpreet S Matharu
Assistant Examiner — Eliza Z Bennett-Hattan
(74) *Attorney, Agent, or Firm* — The Webb Law Firm

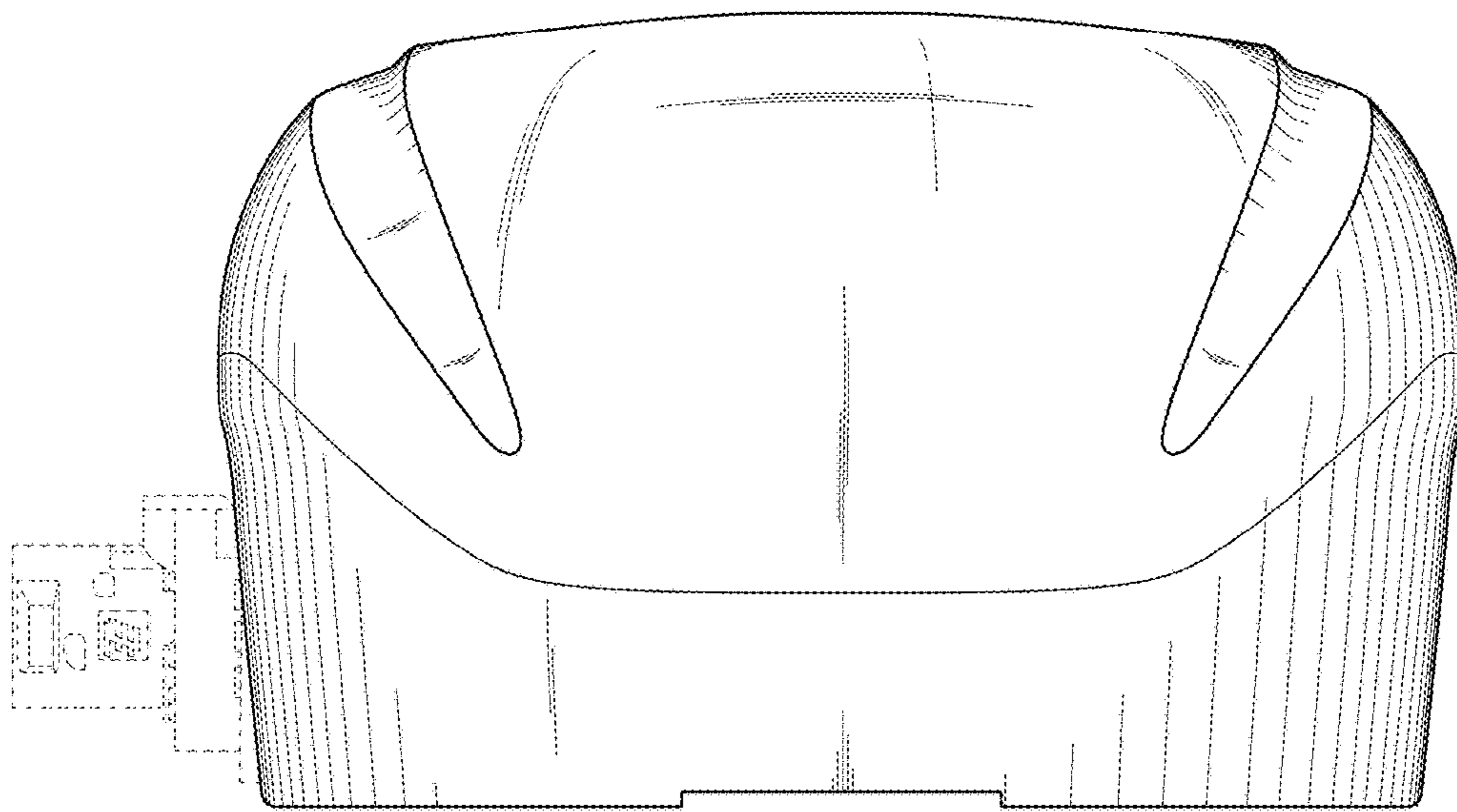
(57) **CLAIM**
The ornamental design for an antenna, as shown and described.

DESCRIPTION

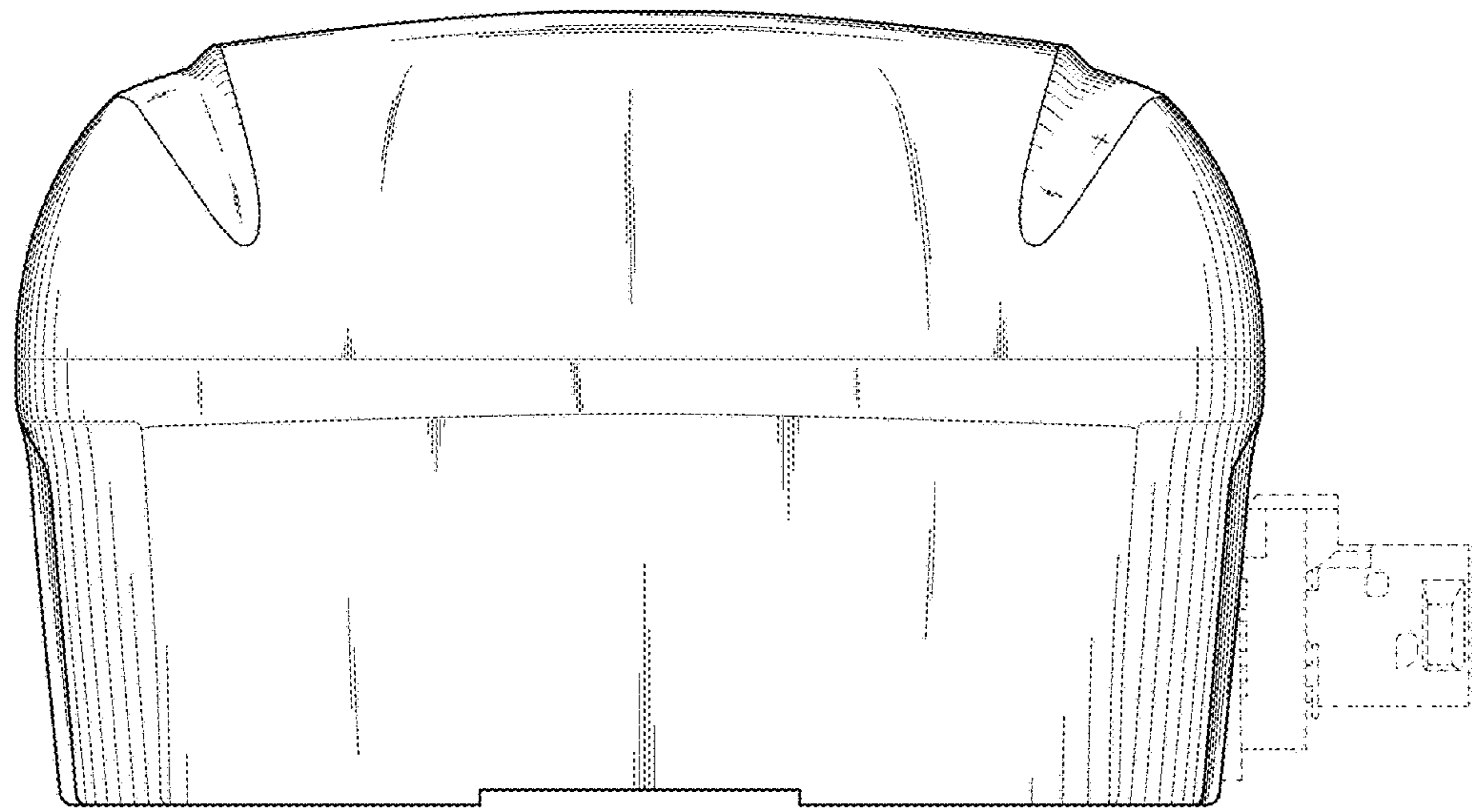
1. Antenna
FIG. 1.1 is a front view;
FIG. 1.2 is a rear view;
FIG. 1.3 is a left side view;
FIG. 1.4 is a right side view;
FIG. 1.5 is a top view;
FIG. 1.6 is a bottom view; and
FIG. 1.7 is a perspective view
FIG. 1.8 is an enlarged cross sectional view
FIG. 1.9 is a side view in an environment of use.
The broken lines form no part of the claimed design.

1 Claim, 9 Drawing Sheets

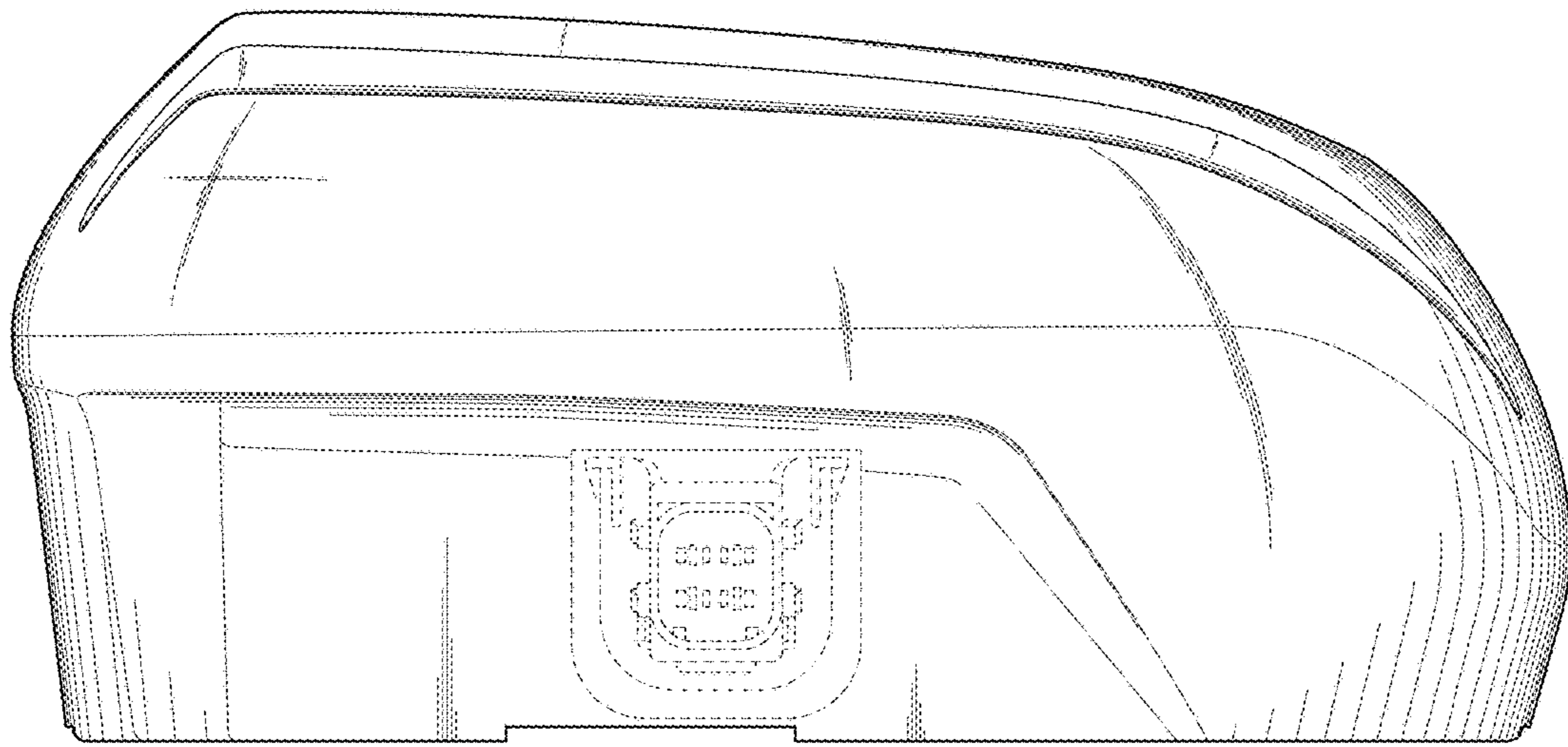




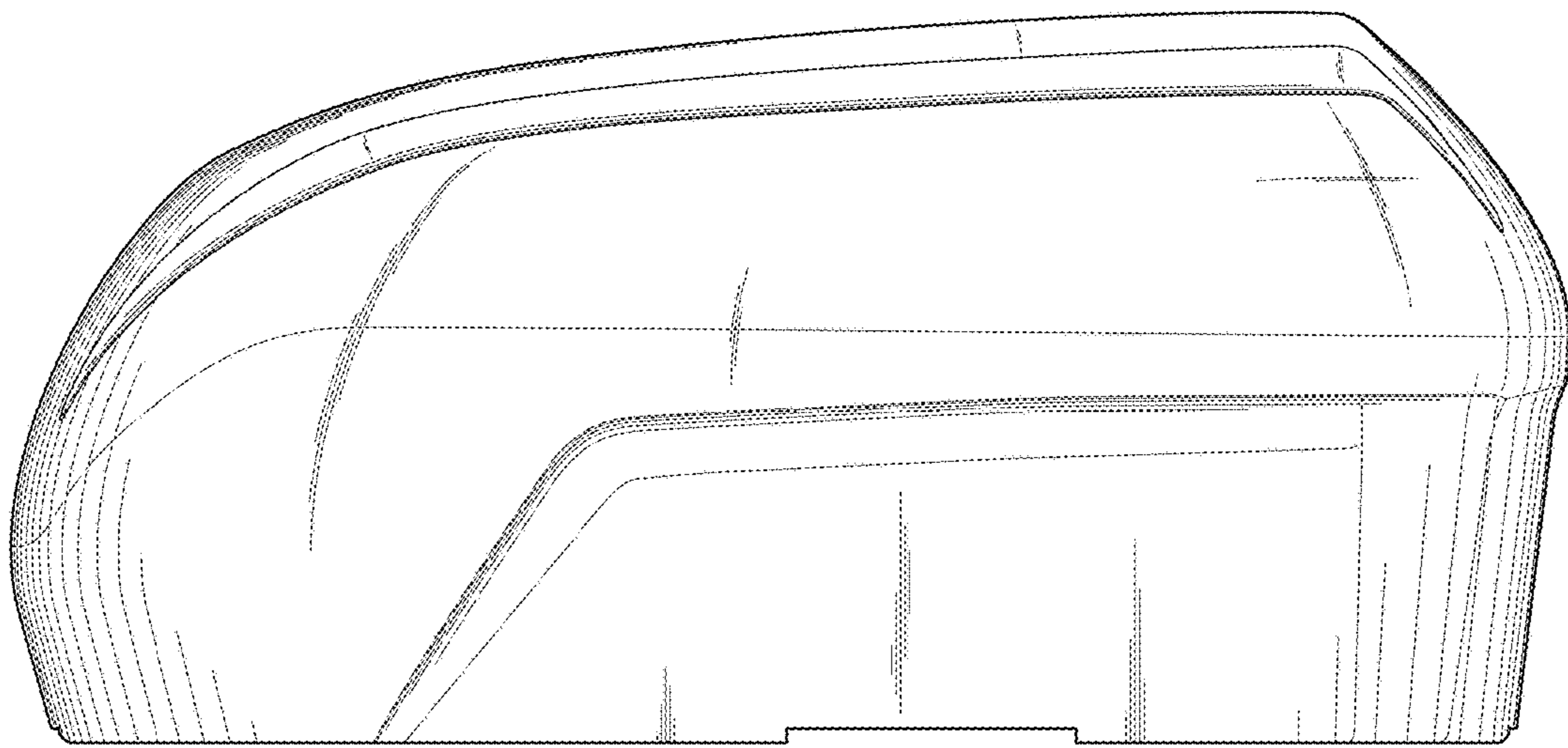
1.1



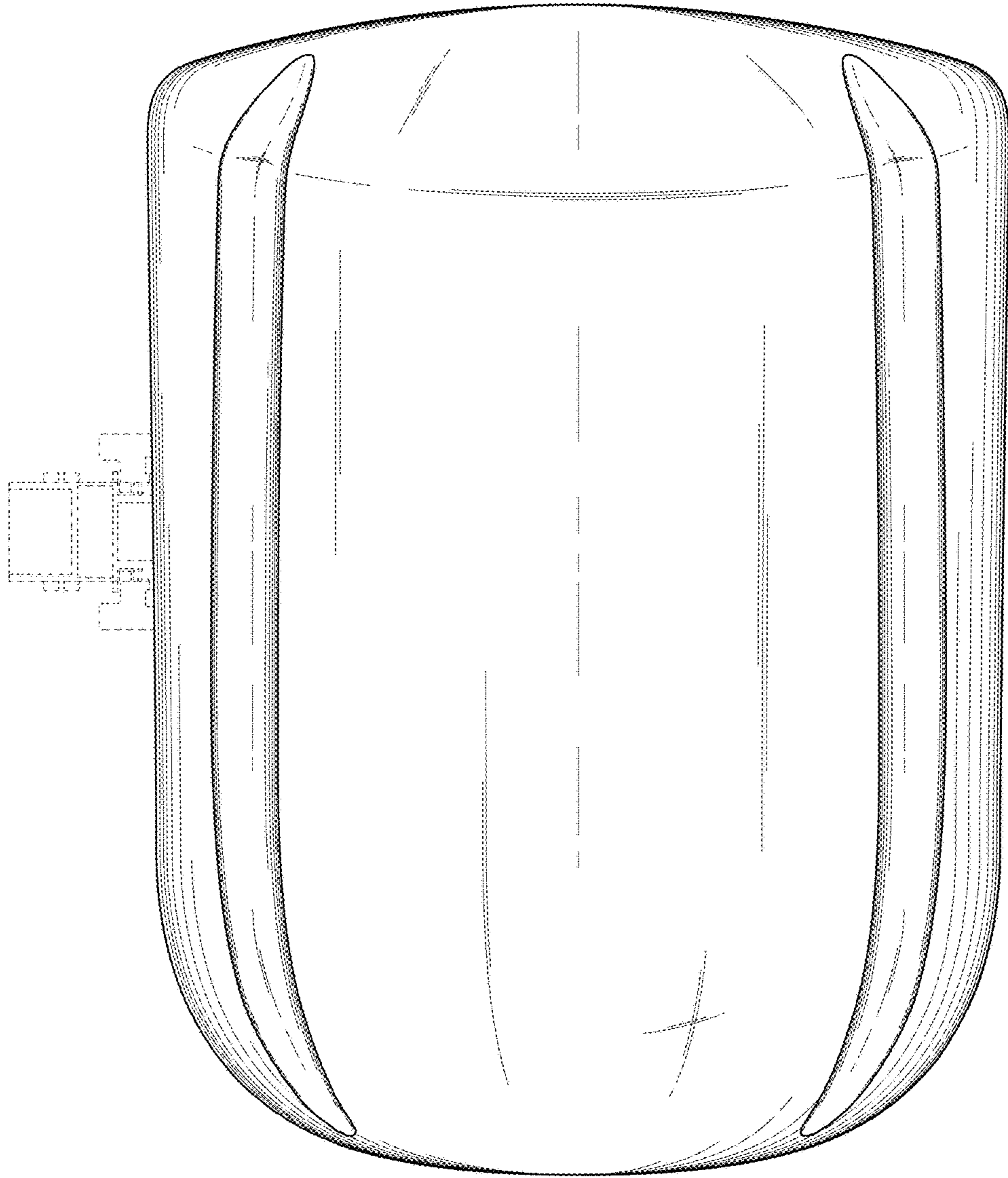
1.2



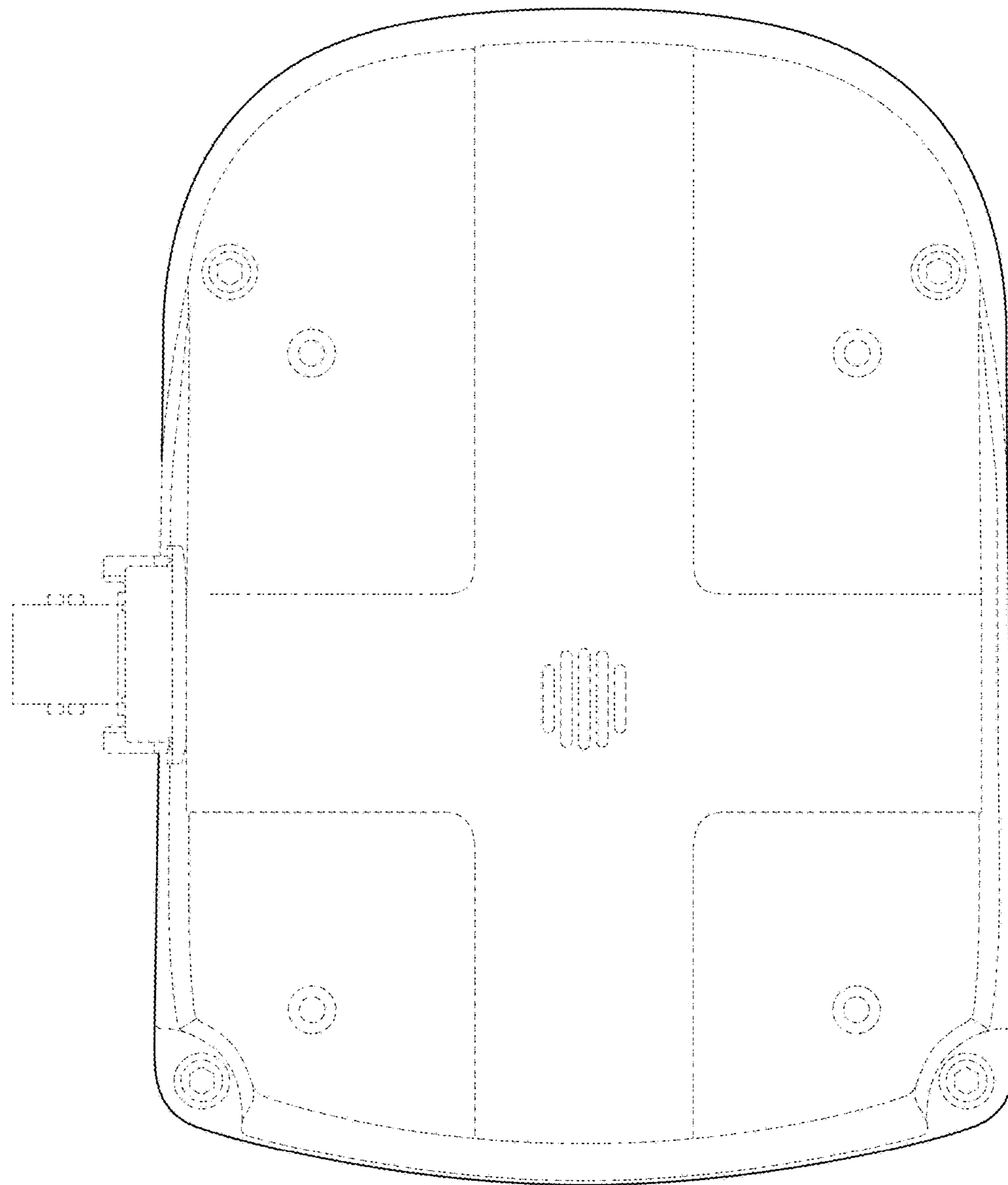
1.3



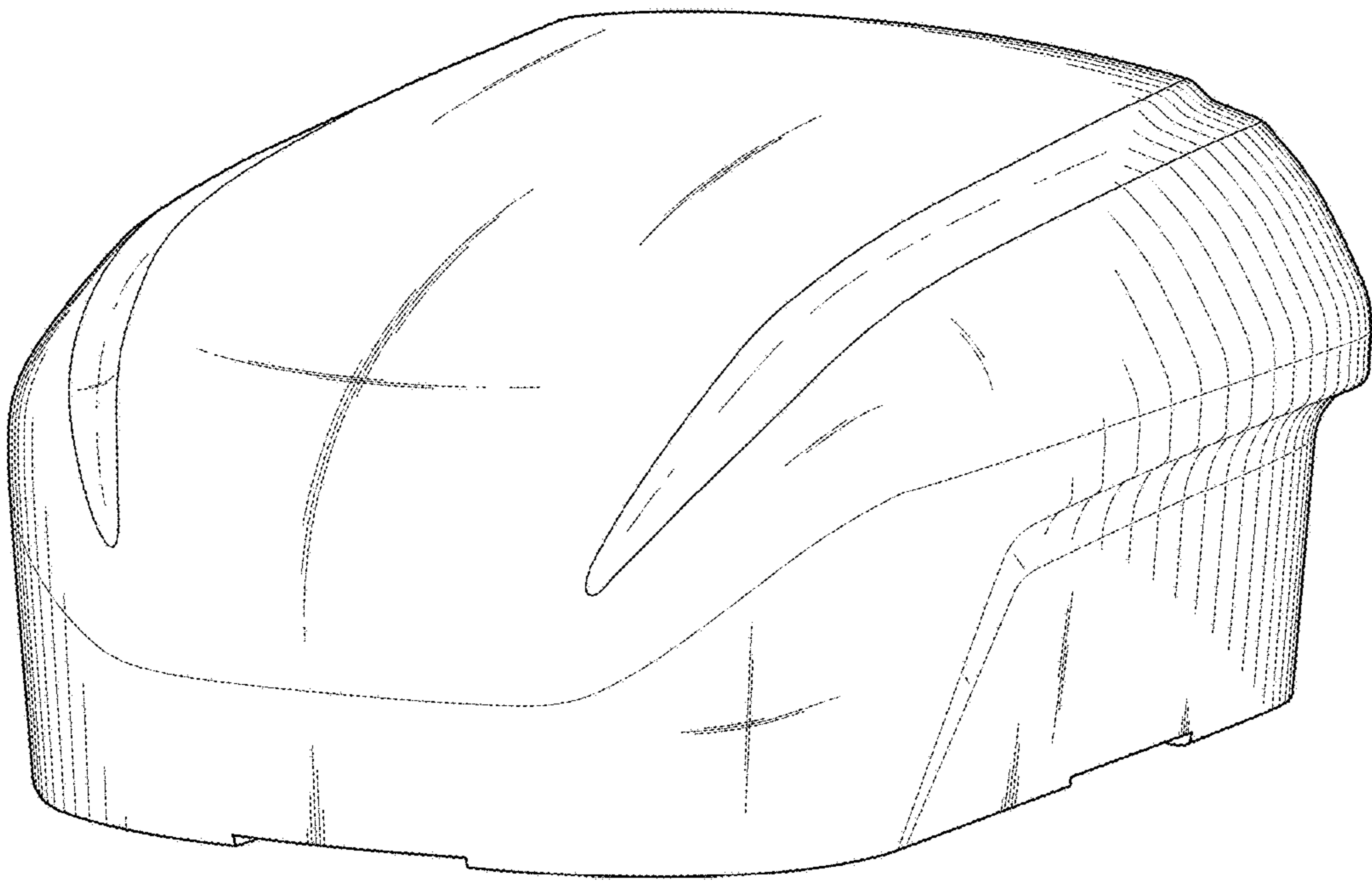
1.4



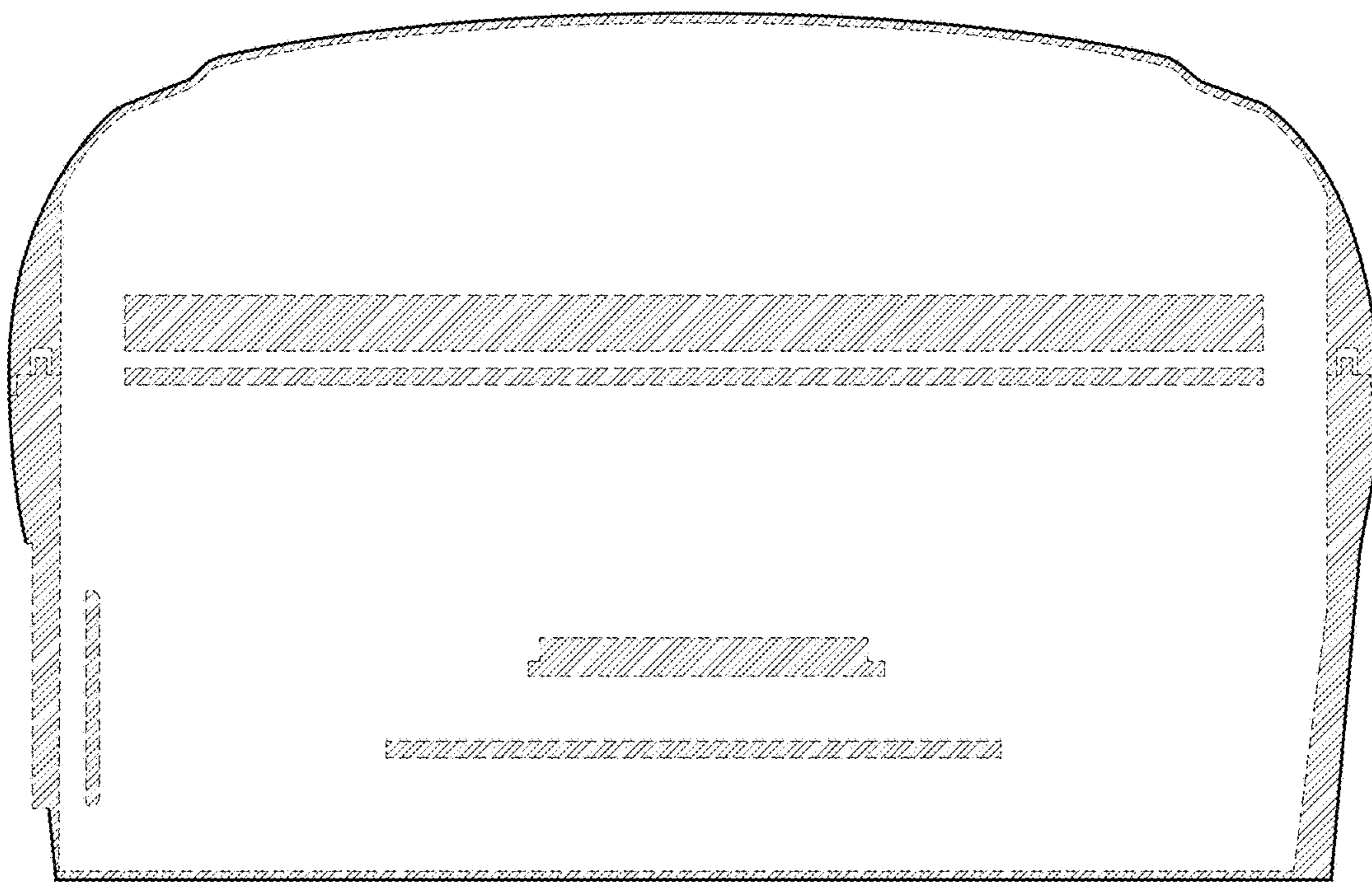
1.5



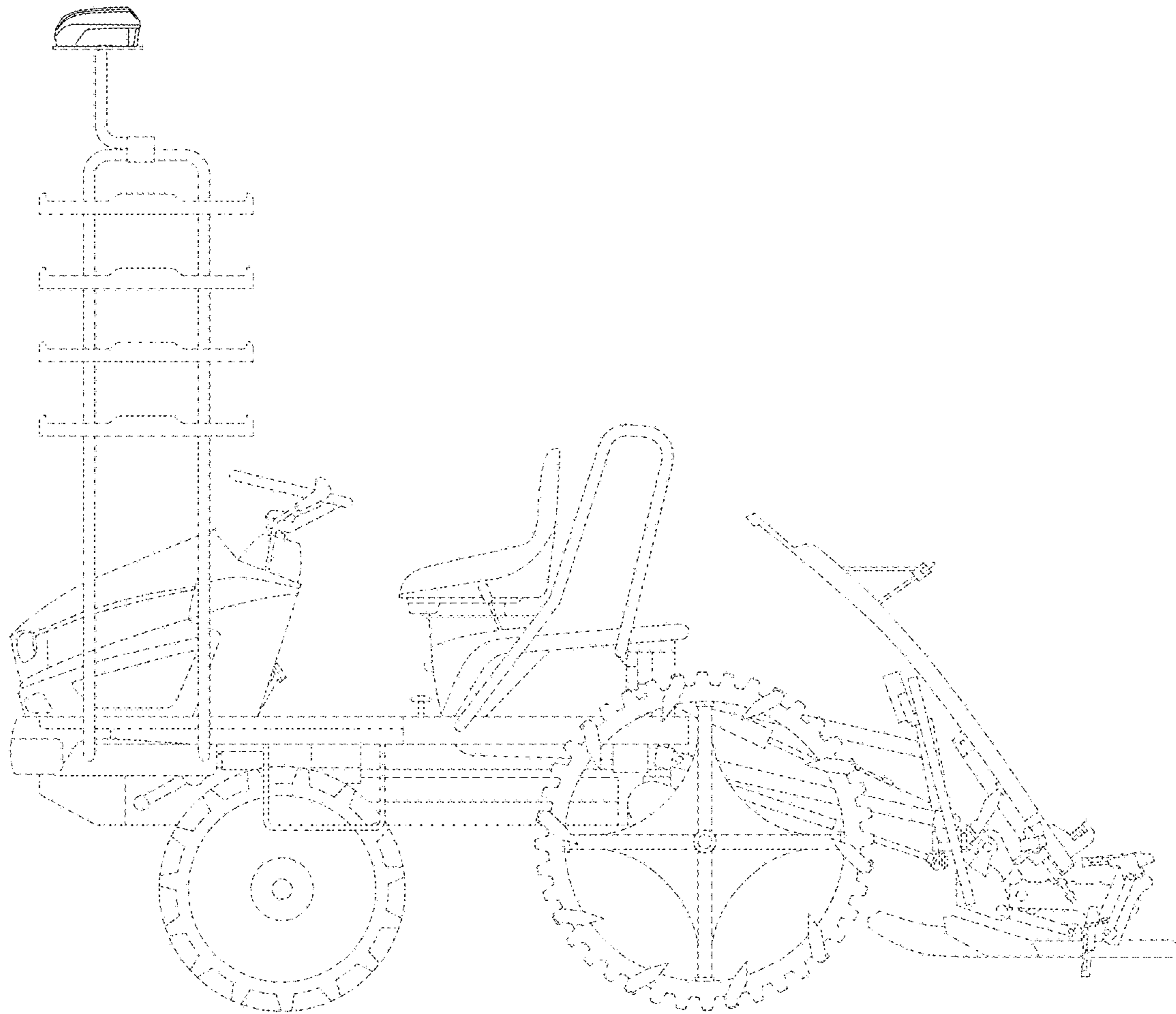
1.6



1.7



1.8



1.9