



US00D819610S

(12) **United States Design Patent**  
**Zheng**

(10) **Patent No.:** **US D819,610 S**  
(45) **Date of Patent:** **\*\* Jun. 5, 2018**

- (54) **ANTENNA**
- (71) Applicant: **Airgain Incorporated**, San Diego, CA (US)
- (72) Inventor: **Bei Zheng**, Zhang Jia Gang (CN)
- (73) Assignee: **Airgain Incorporated**, San Diego, CA (US)
- (\*\*) Term: **15 Years**
- (21) Appl. No.: **29/611,529**
- (22) Filed: **Jul. 21, 2017**

D754,108 S *	4/2016	Yang	.....	D14/230
D765,062 S *	8/2016	Zheng	.....	D14/230
D768,116 S *	10/2016	Zheng	.....	D14/230
D778,882 S *	2/2017	Zheng	.....	D14/230
D778,883 S *	2/2017	Zheng	.....	D14/230
D786,840 S *	5/2017	He	.....	D14/230
D792,871 S *	7/2017	Zheng	.....	D14/230
D799,453 S *	10/2017	Chang	.....	D14/230

**Related U.S. Application Data**

- (62) Division of application No. 29/557,698, filed on Mar. 10, 2016, now Pat. No. Des. 792,871.
- (51) **LOC (11) Cl.** ..... **14-03**
- (52) **U.S. Cl.**  
USPC ..... **D14/230**
- (58) **Field of Classification Search**  
USPC ..... D14/138, 230, 231, 232, 233, 234, 235, D14/236, 237, 238, 238.1, 299, 358; D13/175, 182  
CPC ..... G01R 29/10; G01S 2013/0245; G01S 2013/0254; G01S 2013/0263; G01S 7/4026; G05B 2219/45001; G06K 19/07773; G06K 19/07775; G06K 19/07777; G08B 13/2468; G08B 13/2477; H01Q 1/088  
See application file for complete search history.

**References Cited**

**U.S. PATENT DOCUMENTS**

7,489,278 B2 *	2/2009	Huang	.....	H01Q 9/0421 343/700 MS
D588,115 S *	3/2009	Yoshioka	.....	D14/230
D694,738 S *	12/2013	Yang	.....	D14/230
8,937,578 B2 *	1/2015	Montgomery	.....	H01Q 1/243 343/702
D733,104 S *	6/2015	Yang	.....	D14/230

**OTHER PUBLICATIONS**

<http://www.airgain.com/ultraM2450DLC>—Retrieved Jun. 21, 2016.\*  
<http://www.airgain.com/ultraM2450DLCB2>—Retrieved Jun. 21, 2016.\*

\* cited by examiner

*Primary Examiner* — Manpreet S Matharu  
*Assistant Examiner* — Mojtaba Tehrani  
 (74) *Attorney, Agent, or Firm* — Clause Eight IPS;  
 Michael Catania

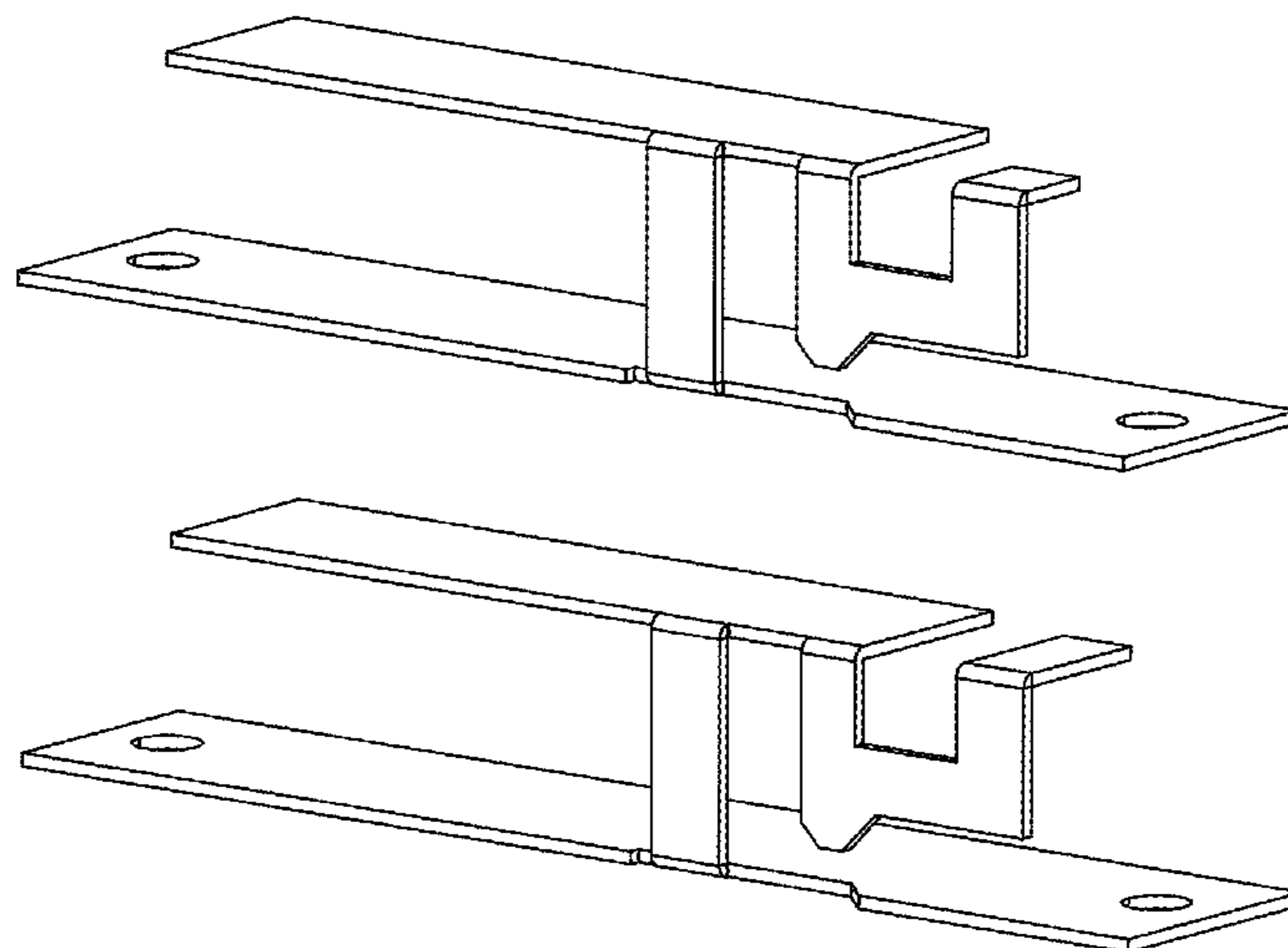
(57) **CLAIM**

The ornamental design for an antenna, as shown and described.

**DESCRIPTION**

FIG. 1 is a top perspective view of the first embodiment of an antenna, showing my new design;  
 FIG. 2 is a top plan view thereof;  
 FIG. 3 is a front elevation view thereof;  
 FIG. 4 is a bottom plan view thereof;  
 FIG. 5 is a side elevation view thereof;  
 FIG. 6 is a top perspective view of the second embodiment of an antenna;  
 FIG. 7 is a top plan view thereof;  
 FIG. 8 is a front elevation view thereof;  
 FIG. 9 is a bottom plan view thereof; and,  
 FIG. 10 is a side elevation view thereof.

**1 Claim, 4 Drawing Sheets**



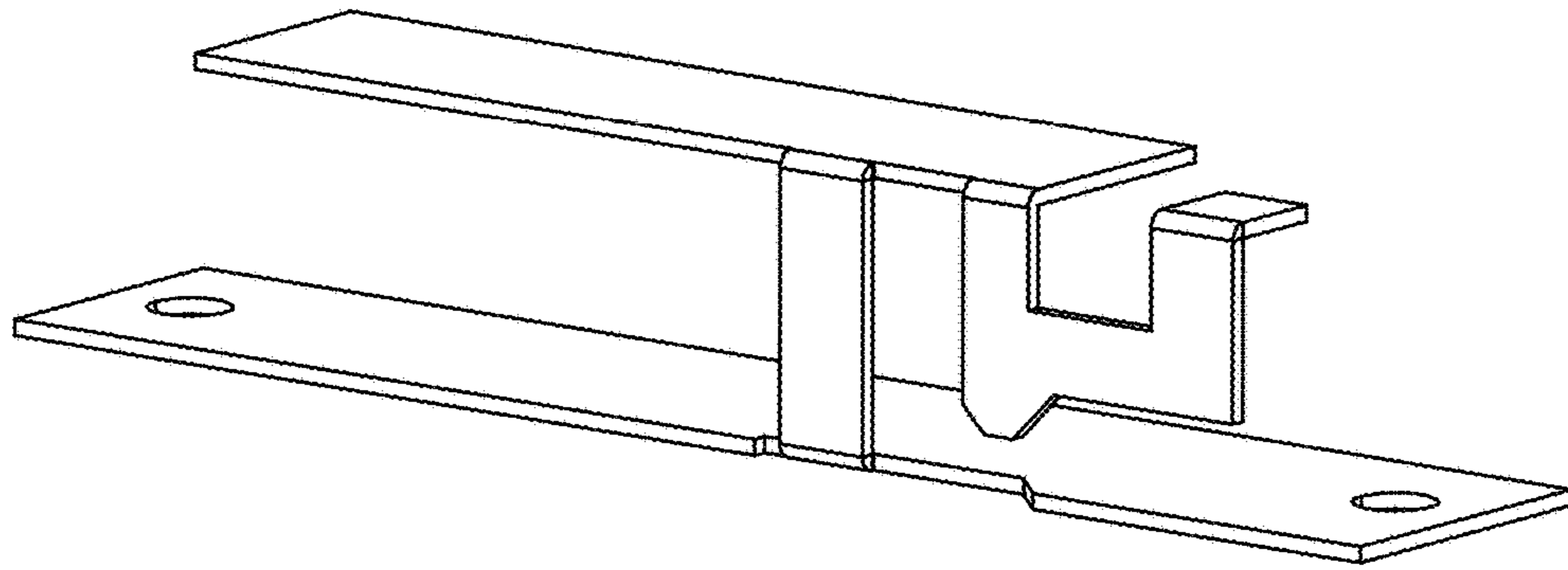


FIG. 1

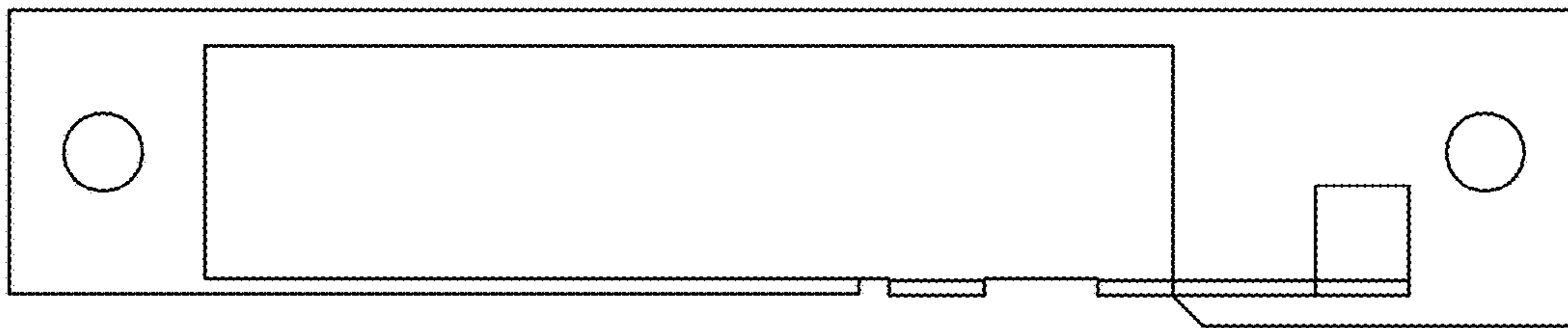


FIG. 2

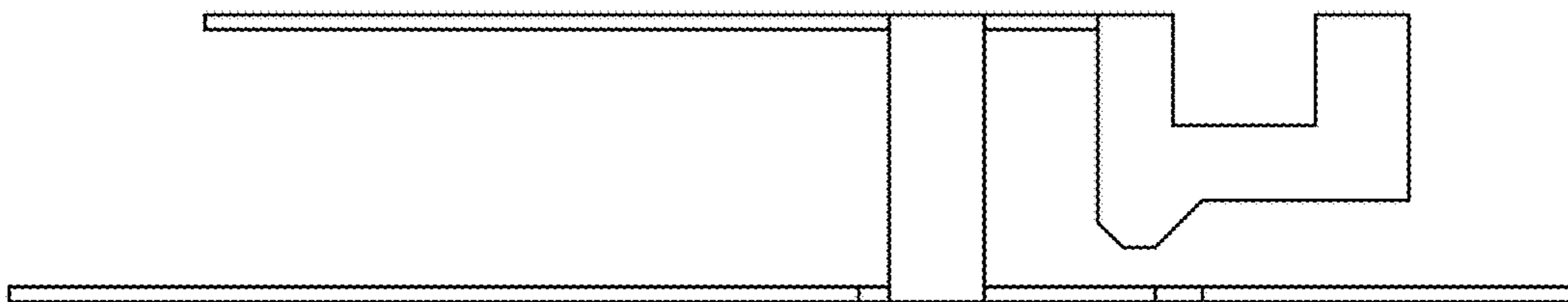


FIG. 3

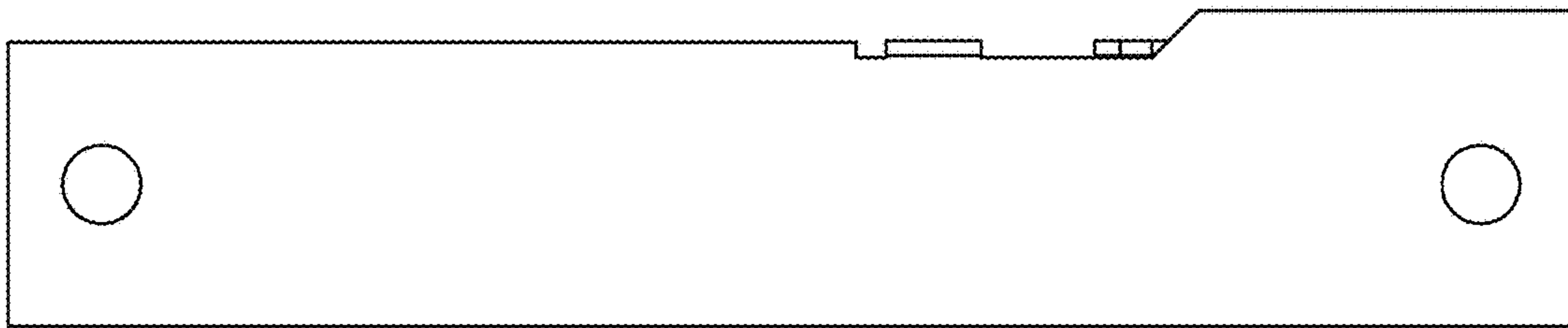


FIG. 4

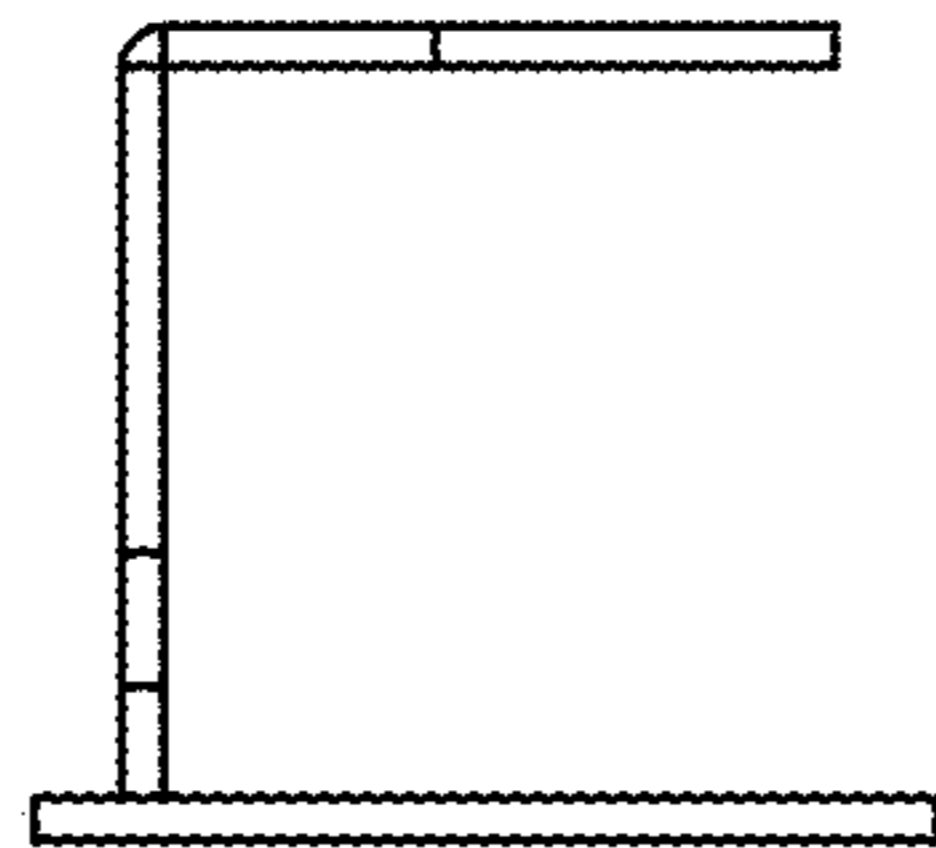


FIG. 5

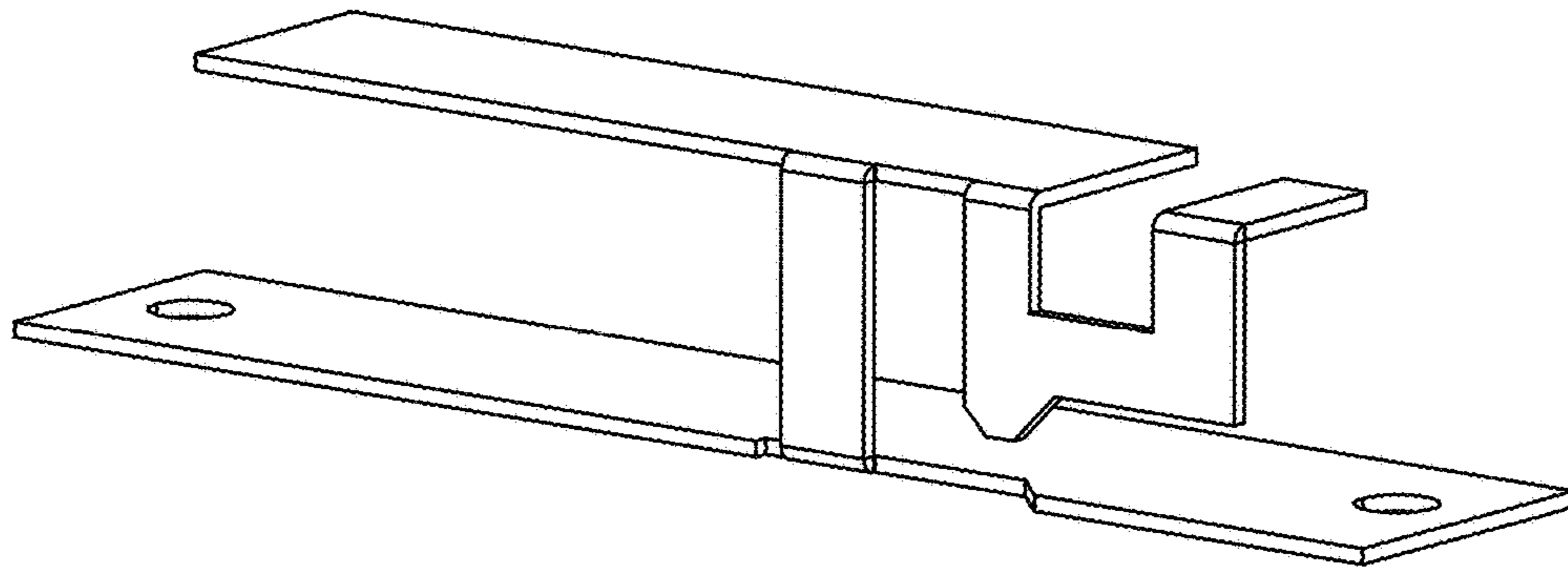


FIG. 6

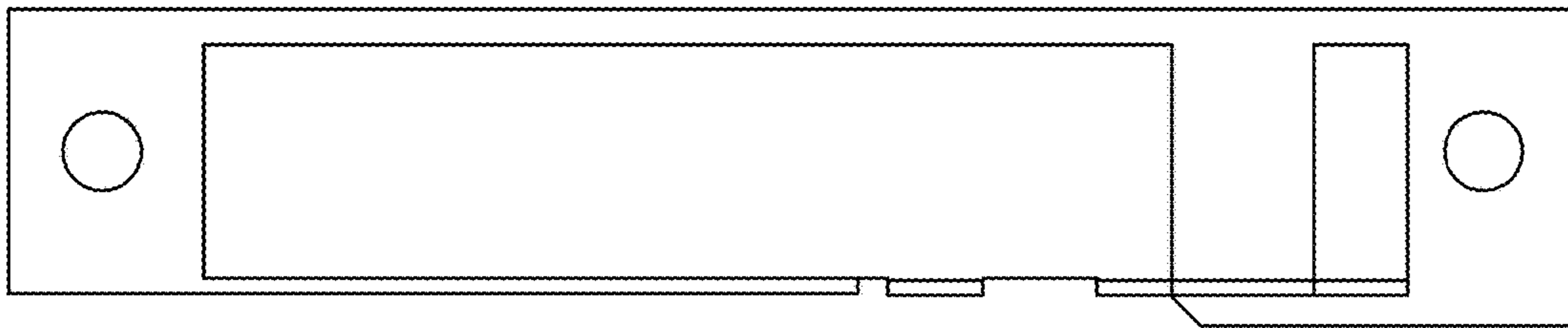


FIG. 7

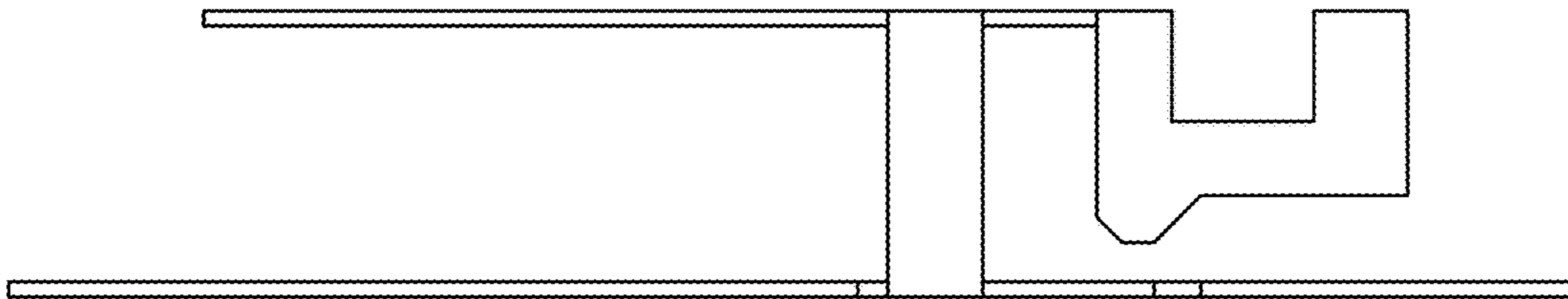


FIG. 8

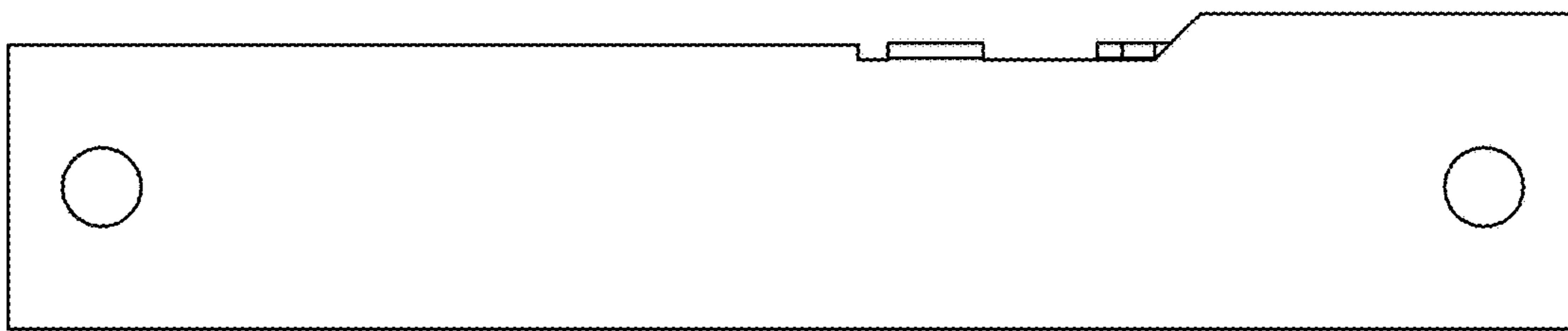


FIG. 9

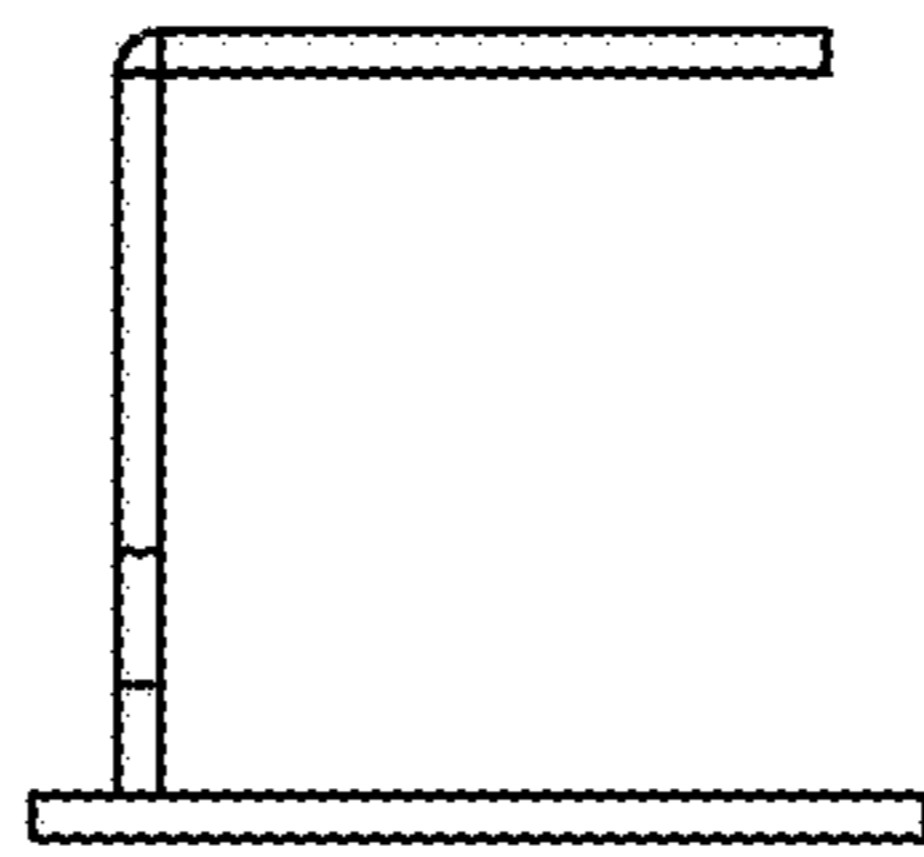


FIG. 10