



US00D819607S

(12) **United States Design Patent**  
**Chui et al.**

(10) **Patent No.:** **US D819,607 S**  
(45) **Date of Patent:** **\*\* Jun. 5, 2018**

- (54) **MICROPHONE**
- (71) Applicant: **Samsung Electronics Co., Ltd.**,  
Suwon-si (KR)
- (72) Inventors: **Kenny Chui**, Campbell, CA (US); **Won Seok Choi**, Fullerton, CA (US)
- (73) Assignee: **SAMSUNG ELECTRONICS CO., LTD.**, Suwon-si (KR)

- D595,262 S \* 6/2009 Nousiainen ..... D14/206
- D596,626 S \* 7/2009 Andre ..... D14/240
- D629,794 S \* 12/2010 Aarrestad ..... D14/225
- D629,795 S \* 12/2010 Wubker ..... D14/228
- D666,993 S \* 9/2012 Kelley ..... D14/205
- D716,772 S \* 11/2014 Cavero ..... D14/225
- D718,762 S \* 12/2014 Aarrestad ..... D14/149
- D725,088 S \* 3/2015 Kwak ..... D14/240
- D725,624 S \* 3/2015 Carney ..... D14/140
- D743,383 S \* 11/2015 Hinokio ..... D14/225
- D754,092 S \* 4/2016 Mackiewicz ..... D14/172
- D755,160 S \* 5/2016 Ponce ..... D14/214

(\*\*) Term: **15 Years**

(Continued)

- (21) Appl. No.: **29/562,508**
- (22) Filed: **Apr. 26, 2016**
- (51) **LOC (11) Cl.** ..... **14-01**
- (52) **U.S. Cl.**  
USPC ..... **D14/225**
- (58) **Field of Classification Search**  
USPC ..... D14/154, 155, 158, 159, 188, 192,  
D14/194-196, 204-215, 217, 219,  
D14/221-224, 240, 140, 140.2, 142, 144,  
D14/147, 172, 225-229  
CPC ..... H04R 1/326; H04R 1/406; H04R 1/08;  
H04R 19/04; H04R 1/04; H04R 9/08;  
H04R 1/083; H04R 1/02; H04R 5/00;  
H04R 25/00; G04G 21/00; H04W 88/00;  
H04W 88/005; H04W 88/08  
See application file for complete search history.

**OTHER PUBLICATIONS**

Boombotix Boombot REX Wireless Ultraportable Weatherproof Bluetooth Speaker, first available Jul. 1, 2014, site visited Nov. 3, 2017, <<https://www.amazon.com/Boombotix-Ultraportable-Weatherproof-Bluetooth-Smartphones/dp/B00KZPY7X6>>.\*

*Primary Examiner* — Cathron C Brooks  
*Assistant Examiner* — Sharon S Oum  
(74) *Attorney, Agent, or Firm* — McAndrews Held & Malloy, Ltd.

(57) **CLAIM**

The ornamental design for a microphone, as shown and described.

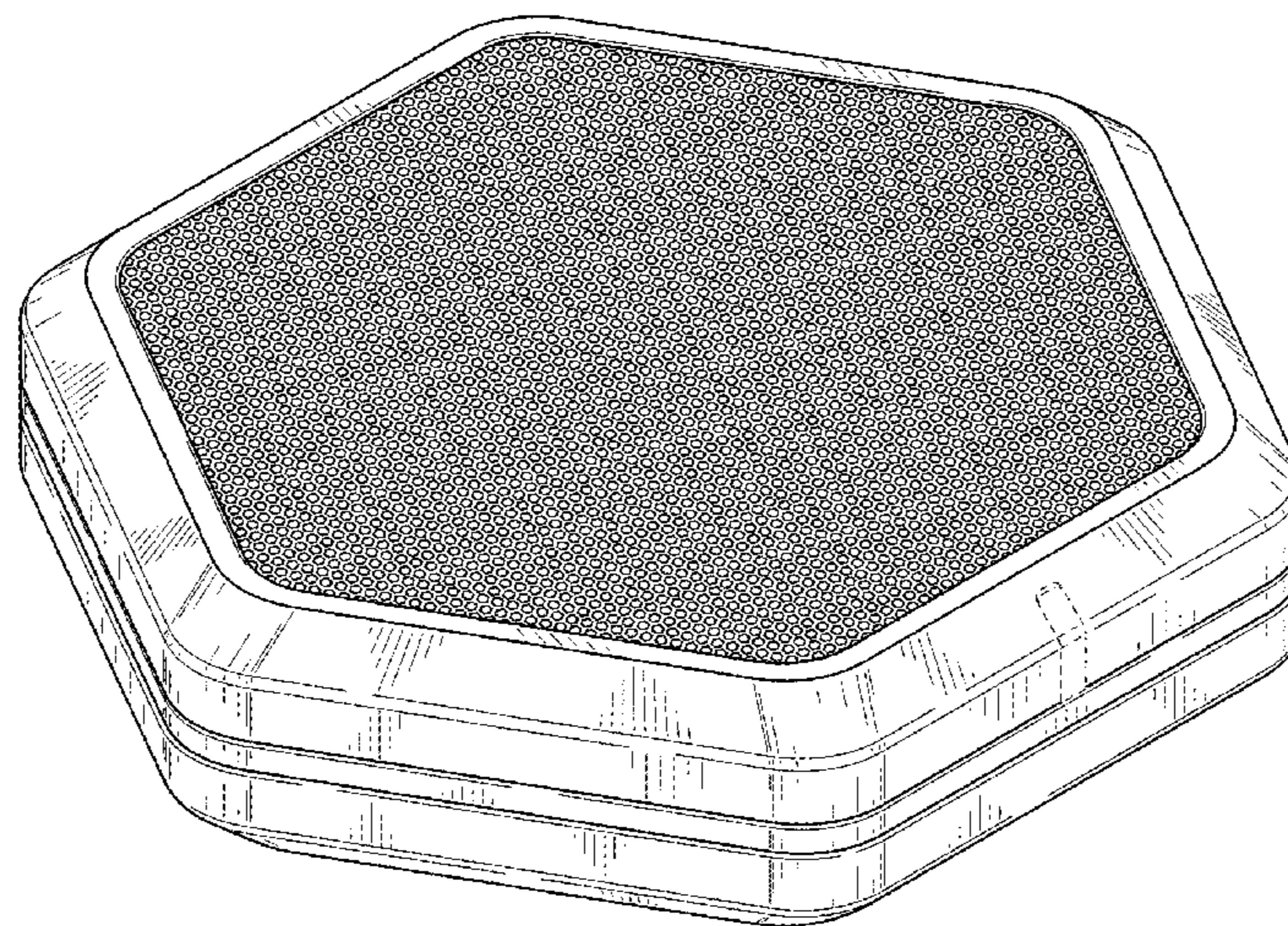
**DESCRIPTION**

FIG. 1 is a top perspective view of a microphone showing our new design;  
FIG. 2 is a front elevation view thereof;  
FIG. 3 is a rear elevation view thereof;  
FIG. 4 is a right-side elevation view thereof;  
FIG. 5 is a left-side elevation view thereof;  
FIG. 6 is a top plan view thereof; and,  
FIG. 7 is a bottom plan view thereof.  
The broken lines in the drawings illustrate portions of the microphone that form no part of the claimed design.

(56) **References Cited**  
U.S. PATENT DOCUMENTS

- D259,786 S \* 7/1981 Leeson ..... D14/242
- D283,891 S \* 5/1986 Parshad ..... D14/228
- D327,479 S \* 6/1992 Britz ..... D14/225
- D403,680 S \* 1/1999 Gremchuck ..... D14/210
- D473,546 S \* 4/2003 Hovanky ..... D14/217
- D499,392 S \* 12/2004 Bathurst ..... D14/150
- D576,611 S \* 9/2008 Wilson ..... D14/225
- D577,010 S \* 9/2008 Wilson ..... D14/225
- D594,855 S \* 6/2009 Metlen ..... D14/225

**1 Claim, 4 Drawing Sheets**



(56)

**References Cited**

U.S. PATENT DOCUMENTS

D757,678 S *	5/2016	Kelly .....	D14/204
D784,299 S *	4/2017	Cho .....	D14/209
D784,307 S *	4/2017	Yoon .....	D14/240
D791,107 S *	7/2017	Goltche .....	D14/225
2007/0155325 A1 *	7/2007	Bambic .....	H04W 88/00 455/41.2

\* cited by examiner



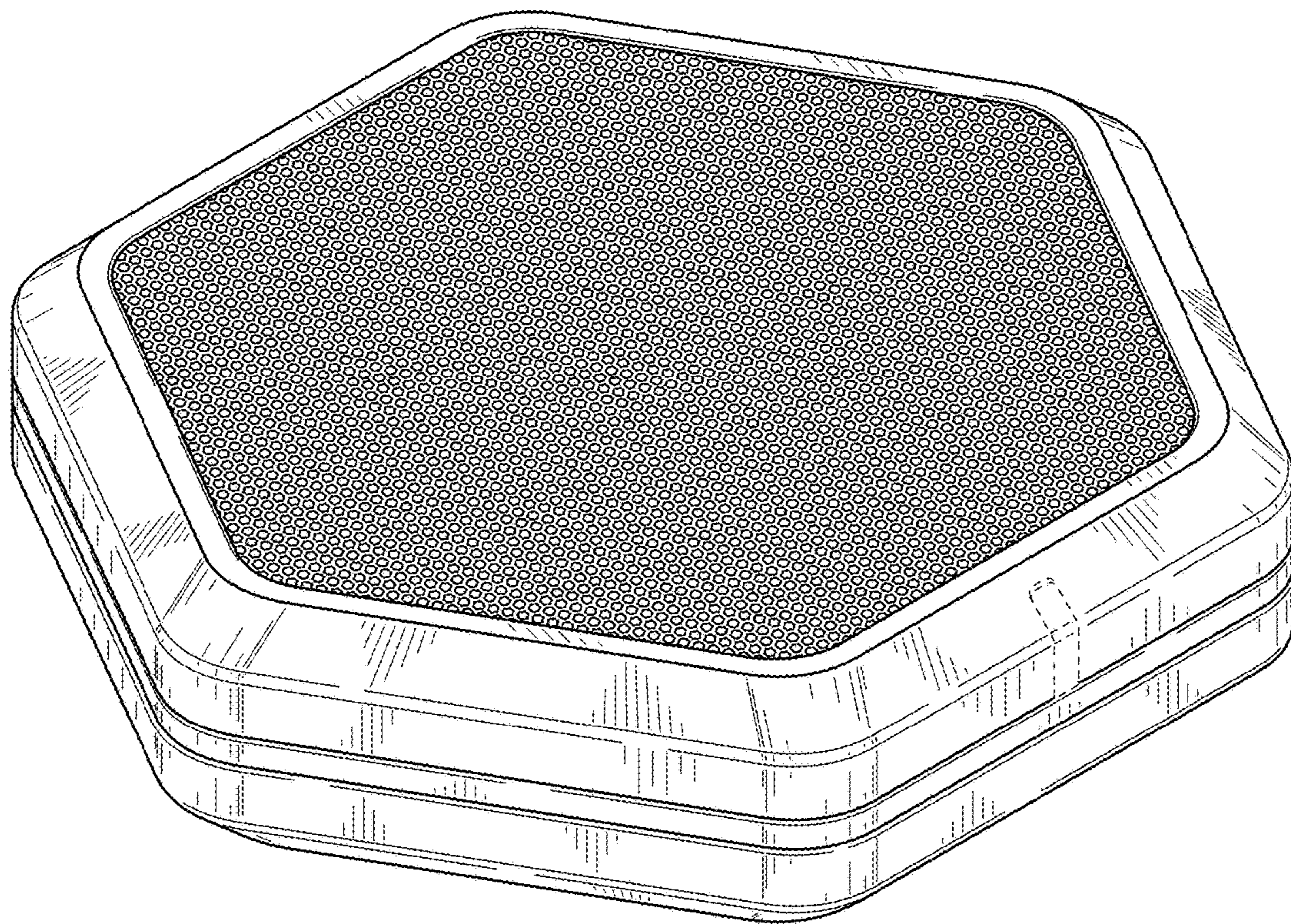


FIG. 1

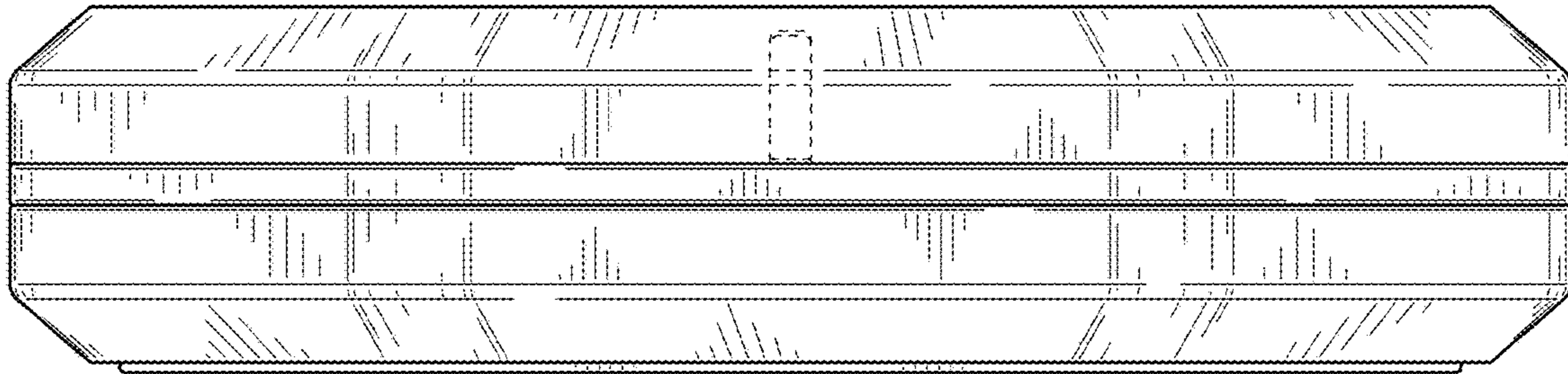


FIG. 2

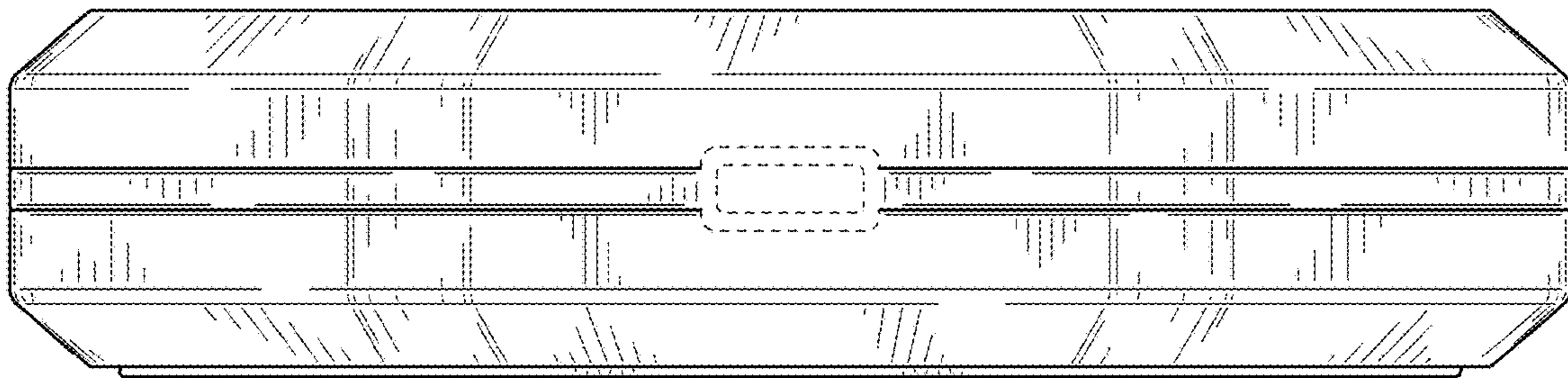


FIG. 3

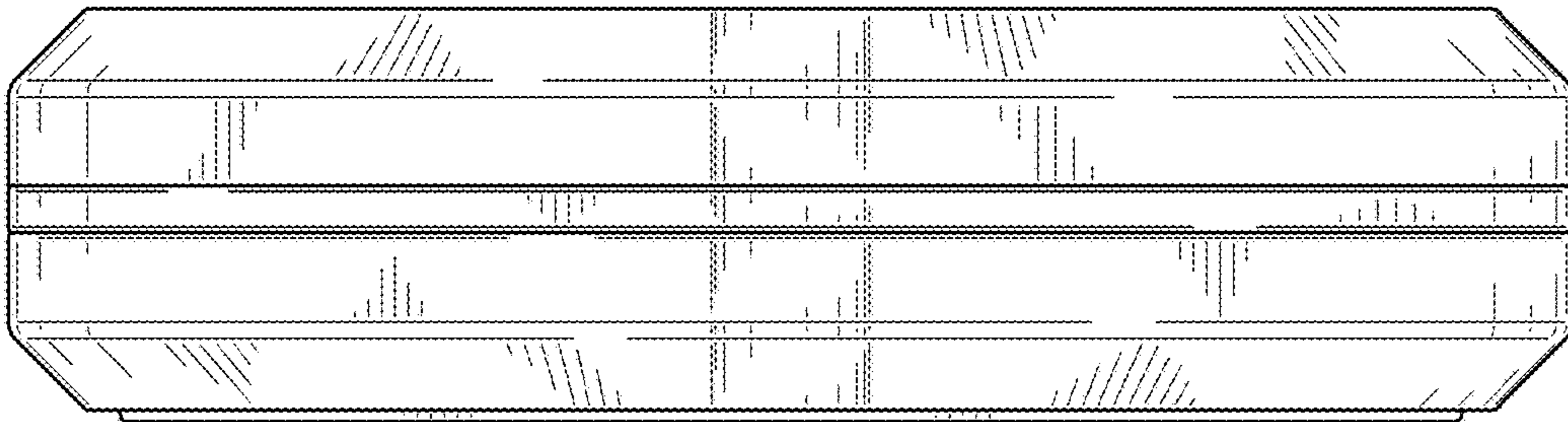


FIG. 4

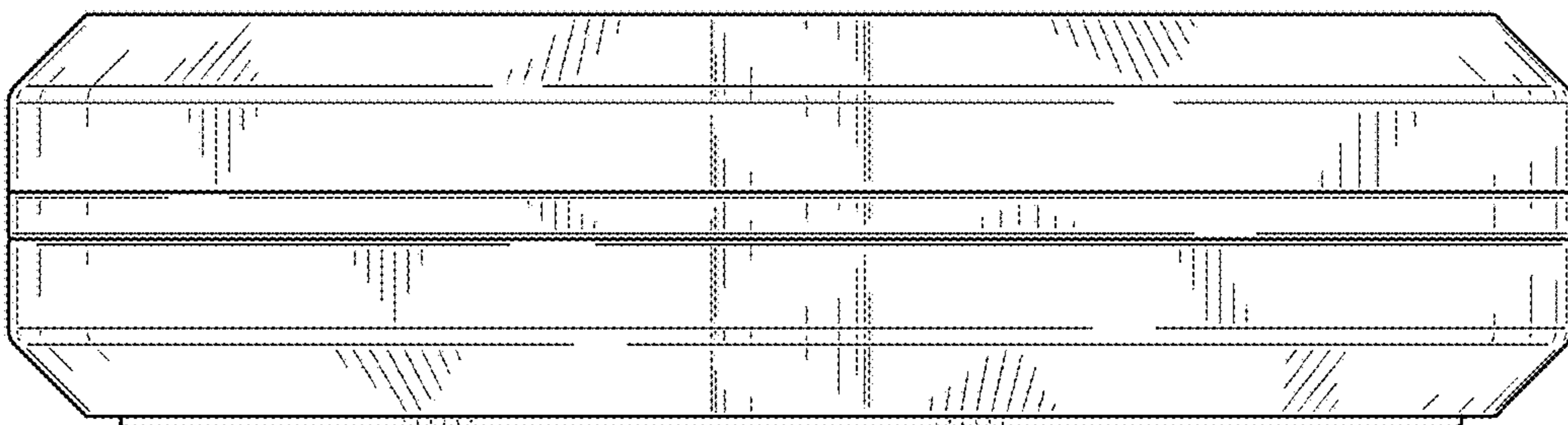


FIG. 5



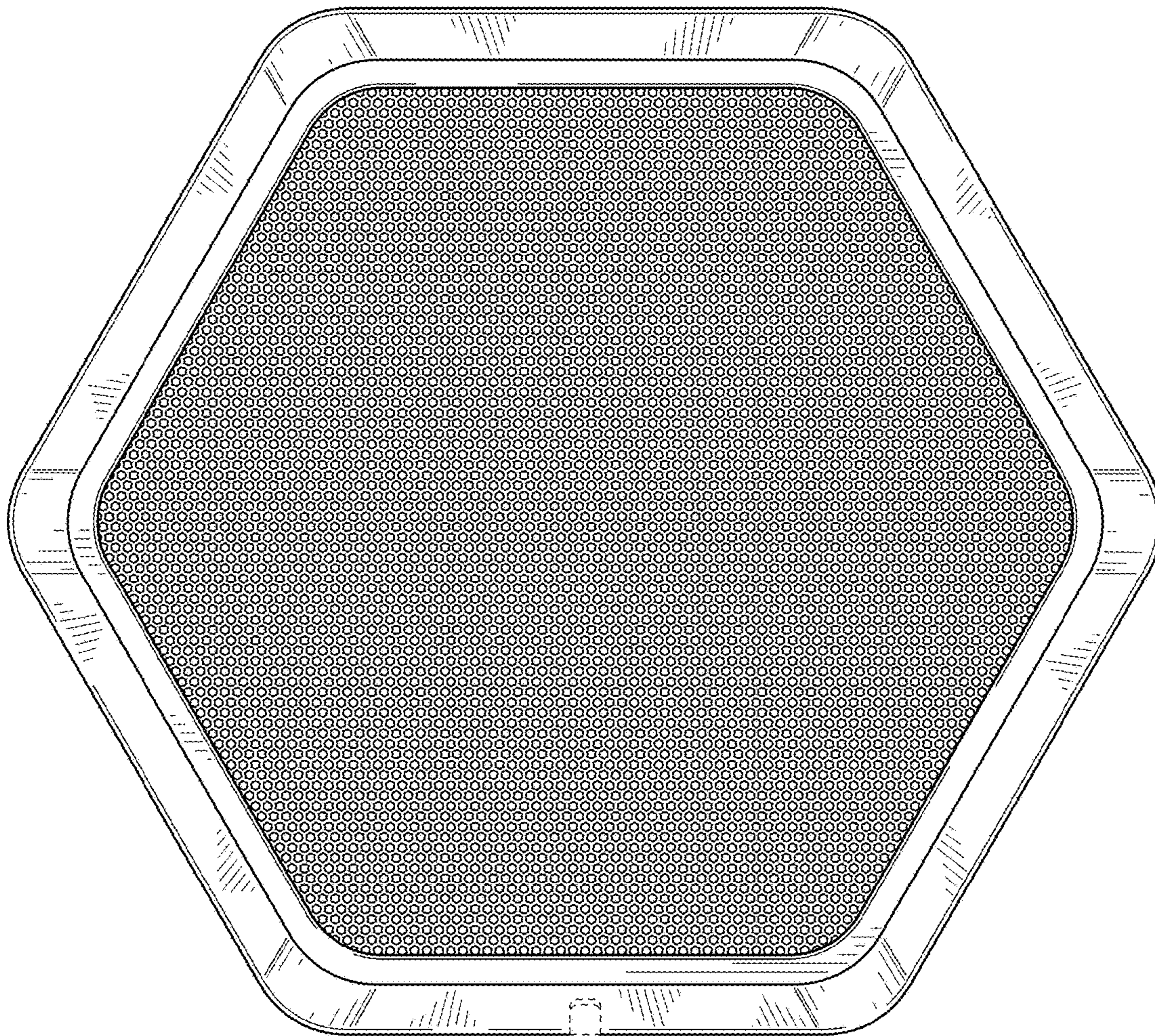


FIG. 6



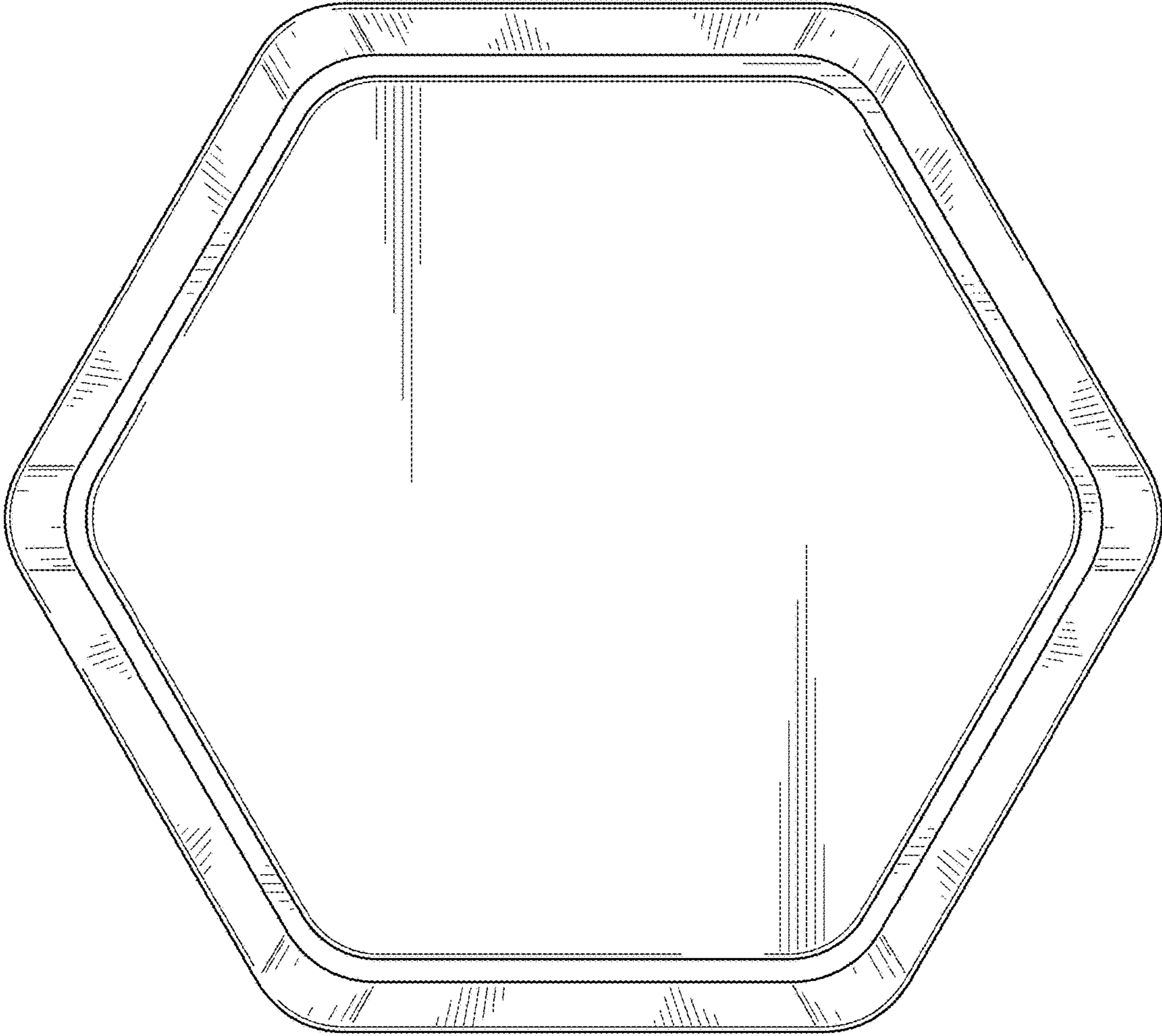


FIG. 7