



US00D819602S

(12) **United States Design Patent** (10) **Patent No.:** **US D819,602 S**
Won et al. (45) **Date of Patent:** **** Jun. 5, 2018**

(54) **AUDIO VISUAL BOX FOR TV RECEIVER**

H04R 19/02; H04F 2400/00; H04F 2400/07; H04F 2400/11; G06F 1/16

See application file for complete search history.

(71) Applicant: **LG ELECTRONICS INC.**, Seoul (KR)

(56) **References Cited**

(72) Inventors: **Hyojin Won**, Seoul (KR); **Hyeyoung Hong**, Seoul (KR); **Yongho Lee**, Seoul (KR); **Youngkyoung Kim**, Seoul (KR)

U.S. PATENT DOCUMENTS

(73) Assignee: **LG ELECTRONICS INC.**, Seoul (KR)

4,334,211	A	*	6/1982	McConnell	H04R 1/023 116/147
D442,943	S	*	5/2001	Chang	D14/215
D537,071	S	*	2/2007	Chen	D14/215
D582,392	S	*	12/2008	Pauschitz	D14/215
D624,528	S	*	9/2010	Hoehn	D14/214
D687,811	S	*	8/2013	Lee	D14/211
D716,756	S	*	11/2014	Kim	D14/204
D718,737	S	*	12/2014	Shadovitz	D14/209.1
D744,982	S	*	12/2015	Kim	D14/214
D750,596	S	*	3/2016	Li	D14/216
D754,104	S	*	4/2016	Yoon	D14/214

(Continued)

(**) Term: **15 Years**

(21) Appl. No.: **35/502,873**

(22) Filed: **Oct. 24, 2016**

OTHER PUBLICATIONS

(80) **Hague Agreement Data**

Int. Filing Date: **Oct. 24, 2016**
Int. Reg. No.: **DM/093222**
Int. Reg. Date: **Oct. 24, 2016**
Int. Reg. Pub. Date: **Apr. 28, 2017**

Polk Signa Solo GE Universal Home Theater Sound Bar, posted at Toys R Us, review posted Dec. 2017. [online][site visited Mar. 13, 2018] URL: <<https://www.toysrus.com/buy/more-ps4-accessories/polk-signa-solo-ge-universal-home-theater-sound-bar-null-135224536>> (Year: 2017).*

(Continued)

(30) **Foreign Application Priority Data**

Apr. 27, 2016 (KR) 30-2016-0020178

(51) **LOC (11) Cl.** **14-03**

(52) **U.S. Cl.**
USPC **D14/216**

(58) **Field of Classification Search**

USPC D14/125-126, 129, 132-133, 375-376,
D14/451, 221, 224, 224.1, 239, 242, 204,
D14/209.1, 210, 211, 214-216, 357-358,
D14/496, 172, 194-195
CPC . B60R 11/0217; B60R 11/0223; H04R 1/023;
H04R 1/025; H04R 1/323; H04R 5/02;

Primary Examiner — George D. Kirschbaum
Assistant Examiner — Kathleen L Jones

(74) *Attorney, Agent, or Firm* — Birch, Stewart, Kolasch & Birch, LLP

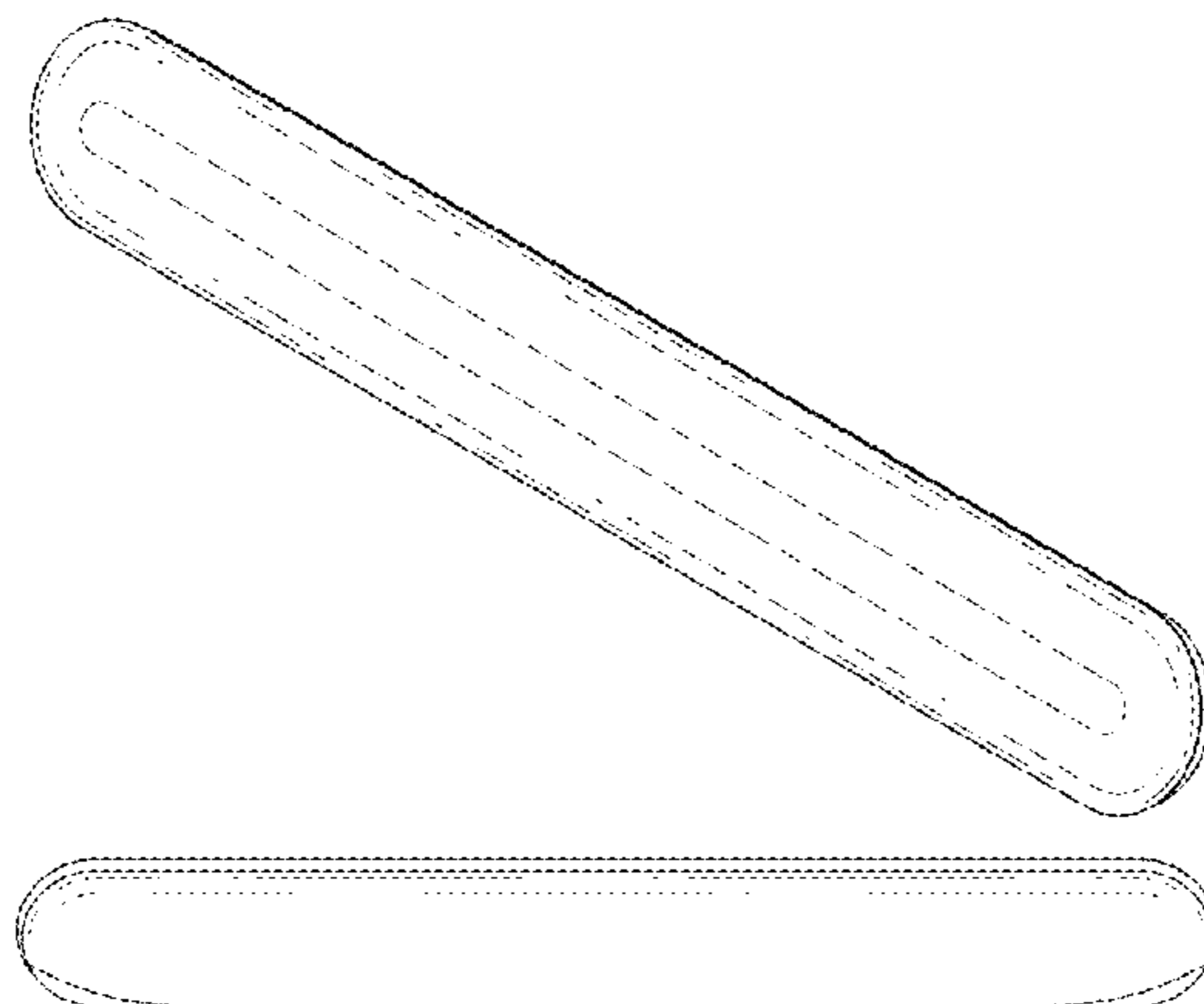
(57) **CLAIM**

The ornamental design for an audio visual box for TV receiver, as shown and described.

DESCRIPTION

- 1. Audio visual box for TV receiver
- 1.1** is a perspective view.
- 1.2** is a front view.
- 1.3** is a back view.

(Continued)



- 1.4 is a left side view.
- 1.5 is a right side view.
- 1.6 is a top view.
- 1.7 is a bottom view.

1 Claim, 7 Drawing Sheets

(56)

References Cited

U.S. PATENT DOCUMENTS

D778,859 S	*	2/2017	Kim	D14/126
D780,140 S	*	2/2017	Kim	D14/126
D793,362 S	*	8/2017	Fischer	D14/214
D797,702 S	*	9/2017	Valeur	D14/212

OTHER PUBLICATIONS

Zhicong, Zhou, CN-302789369, posted at Orbit, publication date Apr. 9, 2014. [online] [site visited Mar. 13, 2018] (Year: 2014).*

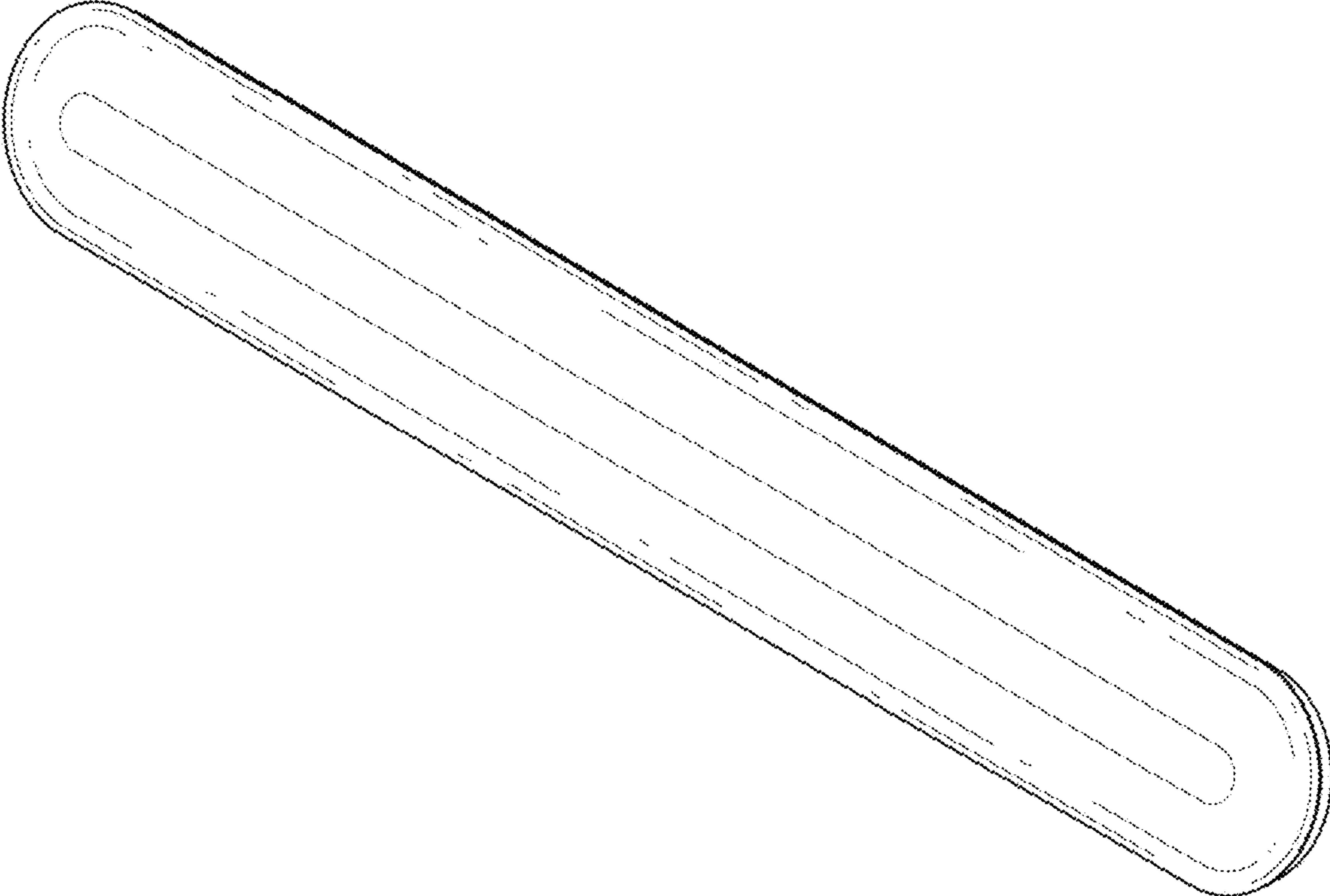
Soundbar speaker, posted at Philips, review posting date Sep. 10, 2013. [online][site visited Mar. 13, 2018] URL: <https://www.usa.philips.com/c-p/HTL5120_F7/soundbar-speaker> (Year: 2013).*

Klipsch Gallery G-42 Flat Panel Speaker, posted at Klipsch, review posting year 2015. [online][site visited Mar. 13, 2018] URL: <<http://www.klipsch.com/products/klipsch-gallery-speakers#product-consumer-reviews>> (Year: 2015).*

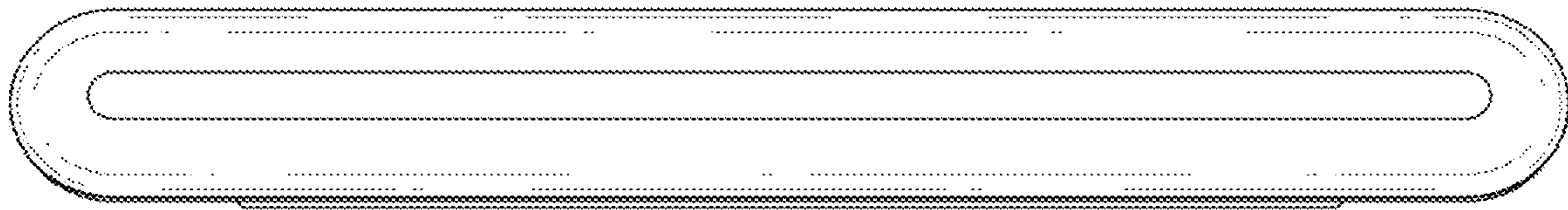
Sondpex Bluetooth Speaker Bar and Music Player, posted at Pep Boys, review posting year 2016. [online][site visited Mar. 14, 2018] URL: <<https://www.pepboys.com/product/details/1152874/00071>> (Year: 2016).*

* cited by examiner

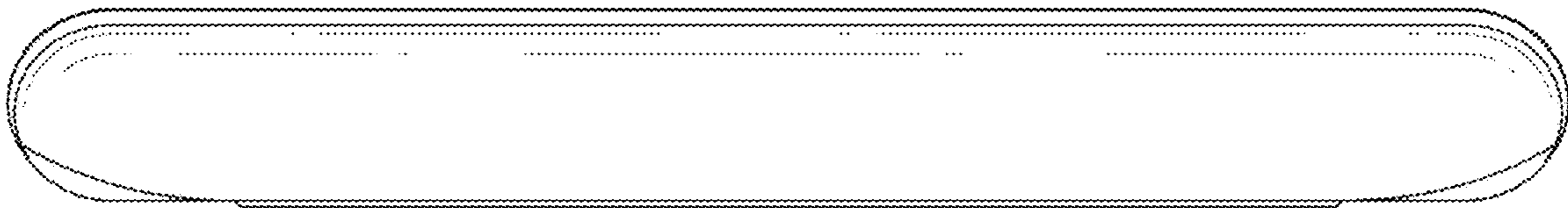
1.1



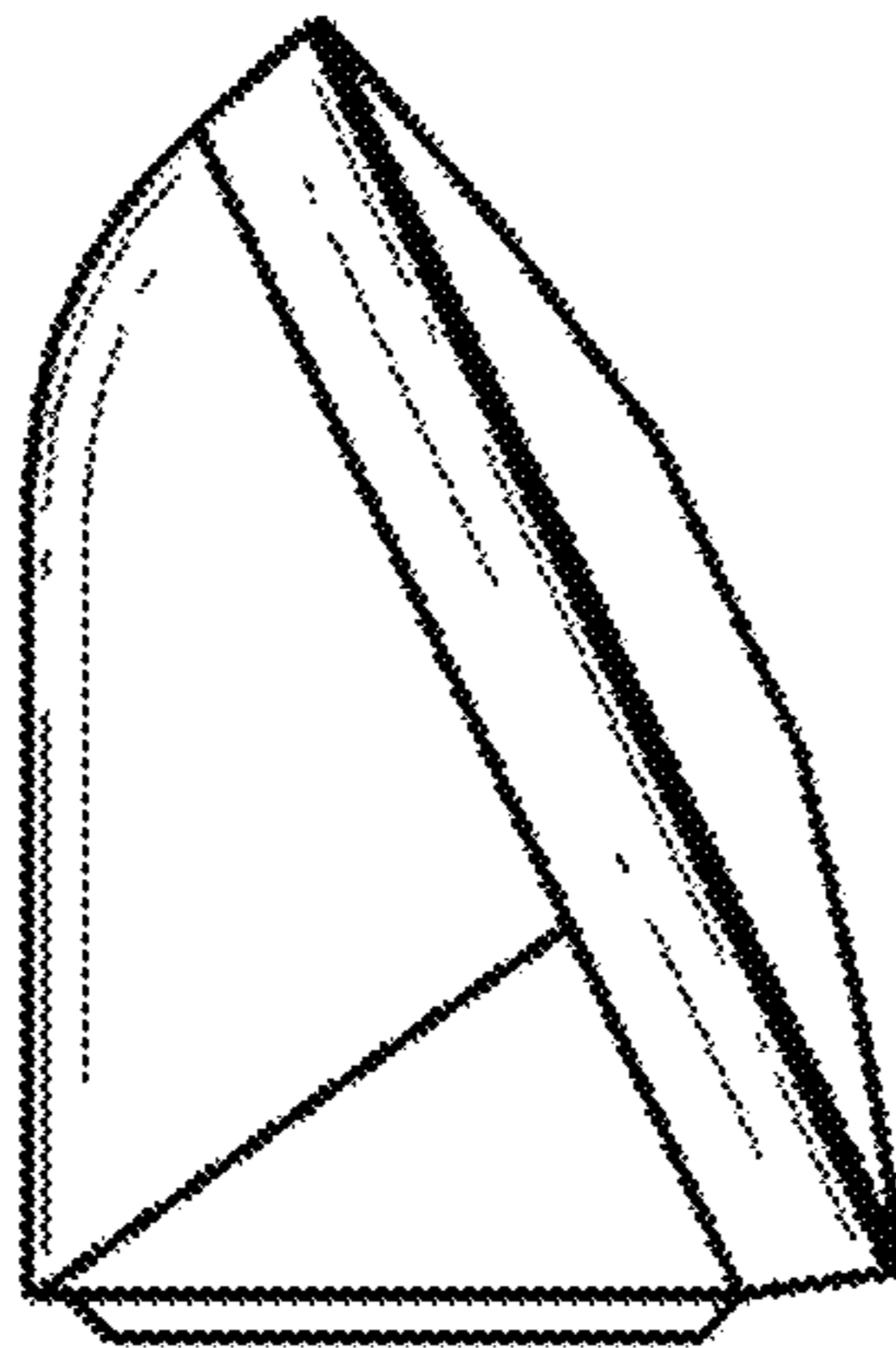
1.2



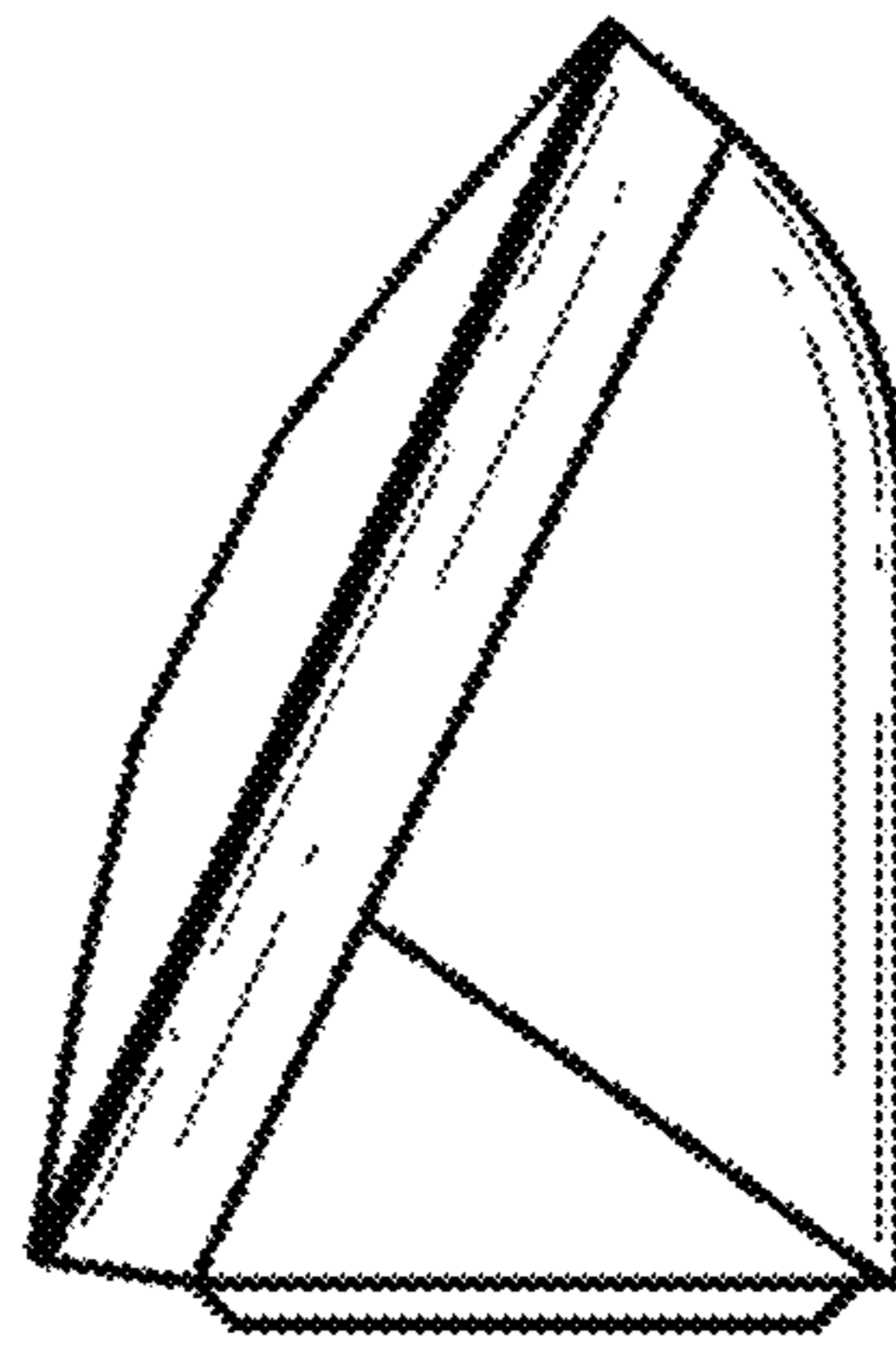
1.3



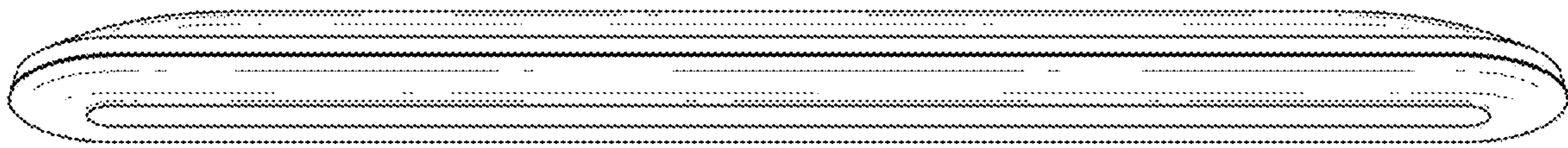
1.4



1.5



1.6



1.7

