



US00D819600S

(12) **United States Design Patent**  
**Jeon et al.**

(10) **Patent No.:** **US D819,600 S**

(45) **Date of Patent:** **\*\* Jun. 5, 2018**

(54) **PORTABLE SPEAKER**

(71) Applicant: **LG ELECTRONICS INC.**, Seoul  
(KR)

(72) Inventors: **Byunglok Jeon**, Seoul (KR); **Gangho Woo**, Seoul (KR)

(73) Assignee: **LG ELECTRONICS INC.**, Seoul  
(KR)

(\*\*) Term: **15 Years**

(21) Appl. No.: **35/502,787**

(22) Filed: **Oct. 10, 2016**

(80) **Hague Agreement Data**

Int. Filing Date: **Oct. 10, 2016**

Int. Reg. No.: **DM/093151**

Int. Reg. Date: **Oct. 10, 2016**

Int. Reg. Pub. Date: **Apr. 14, 2017**

(30) **Foreign Application Priority Data**

Apr. 18, 2016 (KR) ..... 30-2016-0018348

(51) **LOC (11) Cl.** ..... **14-03**

(52) **U.S. Cl.**  
USPC ..... **D14/216**

(58) **Field of Classification Search**  
USPC ..... D14/167, 168, 170-172, 188, 194-196,  
D14/204, 207, 209.1, 210-216, 219, 221,  
D14/222, 224, 239, 496; D10/114.5, 120  
CPC ..... H04R 1/028; H04R 1/10; H04R 1/2803;  
H04R 1/2826; H04R 1/342; H04R 3/00;  
H05K 1/0278  
See application file for complete search history.

(56) **References Cited**

**U.S. PATENT DOCUMENTS**

D465,469 S \* 11/2002 Heath ..... D10/104.1

D596,159 S \* 7/2009 Yamaji ..... D14/209.1

D636,760 S \* 4/2011 Cheng ..... D14/216  
D643,412 S \* 8/2011 Brady ..... D14/218  
D647,508 S \* 10/2011 Lee ..... D14/216  
D656,130 S \* 3/2012 Bailey ..... D14/227  
D659,680 S \* 5/2012 Kim ..... D14/216  
D682,805 S \* 5/2013 Rath ..... D14/149  
D687,809 S \* 8/2013 Bergmann ..... D14/209.1  
D698,755 S \* 2/2014 Miyawaki ..... D14/216  
D698,765 S \* 2/2014 Bremaud ..... D14/231  
D717,770 S \* 11/2014 Yamamoto ..... D14/216  
D727,297 S \* 4/2015 Valeur ..... D14/216  
D727,877 S \* 4/2015 Seoc ..... D14/209.1  
D730,872 S \* 6/2015 Wan ..... D14/216  
D738,353 S \* 9/2015 Slaato ..... D14/216  
D743,383 S \* 11/2015 Hinokio ..... D14/225  
D755,162 S \* 5/2016 He ..... D14/216  
D756,955 S \* 5/2016 Wagner ..... D14/203.6  
9,351,066 B2 \* 5/2016 Walter ..... H04R 1/2811  
D765,163 S \* 8/2016 Seymour ..... D17/5  
D766,877 S \* 9/2016 Haase ..... D14/172  
D768,113 S \* 10/2016 Lee ..... D14/216  
D770,417 S \* 11/2016 Chen ..... D14/216

(Continued)

*Primary Examiner* — Darlington Ly

(74) *Attorney, Agent, or Firm* — Birch, Stewart, Kolasch & Birch, LLP

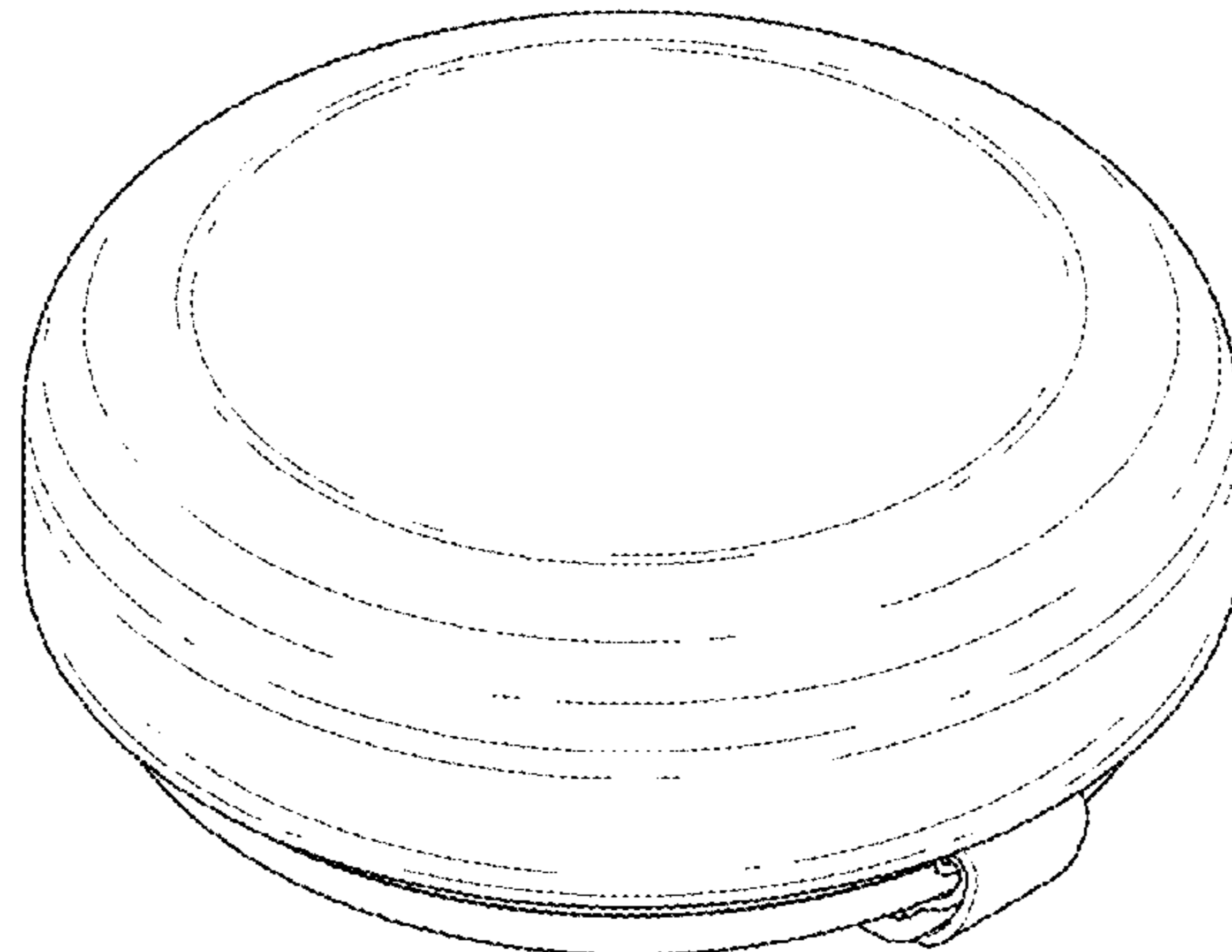
(57) **CLAIM**

The ornamental design for a portable speaker, as shown and described.

**DESCRIPTION**

1. Portable speaker  
1.1 is a top perspective view of a portable speaker showing our new design;  
1.2 is a front elevation view thereof;  
1.3 is a rear elevation view thereof;  
1.4 is a left side elevation view thereof;  
1.5 is a right side elevation view thereof;  
1.6 is a top plan view thereof; and  
1.7 is a bottom plan view thereof.

**1 Claim, 7 Drawing Sheets**



(56)

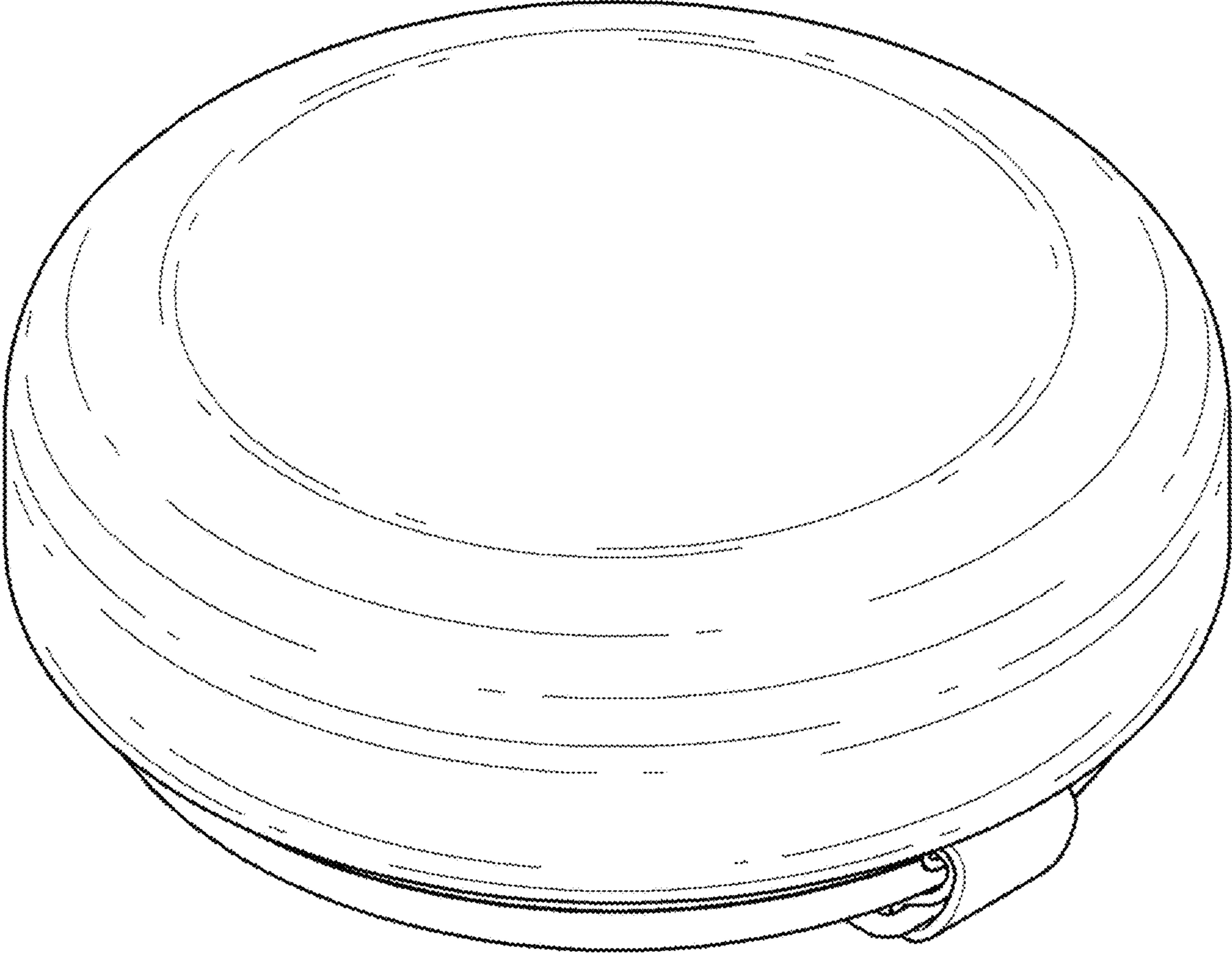
**References Cited**

U.S. PATENT DOCUMENTS

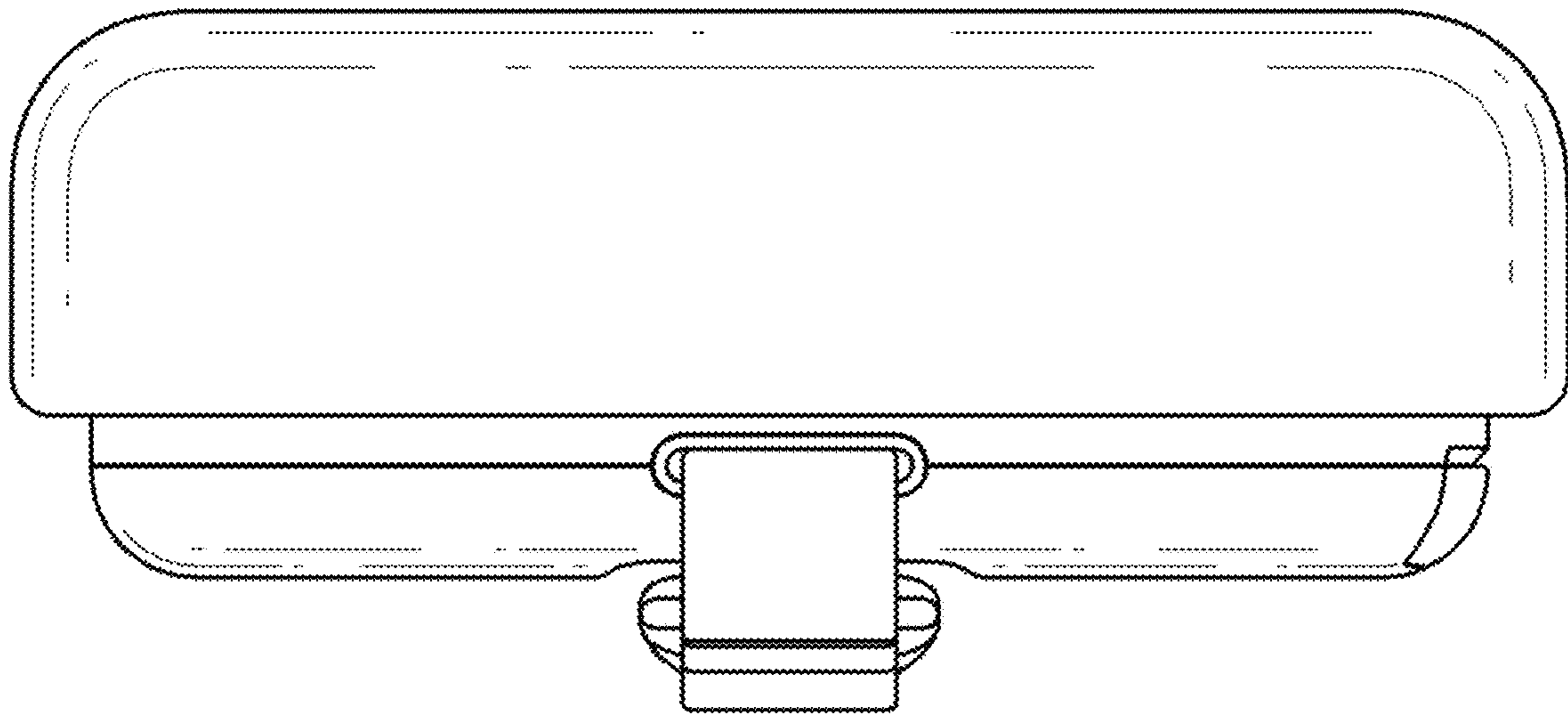
D771,600 S	*	11/2016	Hinokio .....	D14/228
D778,871 S	*	2/2017	Corval .....	D14/204
D788,075 S	*	5/2017	Bailey .....	D14/204
D790,510 S	*	6/2017	Xiao .....	D14/216
D793,363 S	*	8/2017	Zhang .....	D14/216
D797,704 S	*	9/2017	Fischer .....	D14/216
D801,308 S	*	10/2017	Ahn .....	D14/216
D802,589 S	*	11/2017	Fisher .....	D14/358
D803,191 S	*	11/2017	Luo .....	D14/216
D806,711 S	*	1/2018	Sakaguchi .....	D14/388
D807,328 S	*	1/2018	Garrett .....	D14/216
D807,863 S	*	1/2018	Ploetz .....	D14/230
D808,927 S	*	1/2018	Schaal .....	D14/216
D808,929 S	*	1/2018	Graber .....	D14/216
D811,392 S	*	2/2018	Lu .....	D14/358

\* cited by examiner

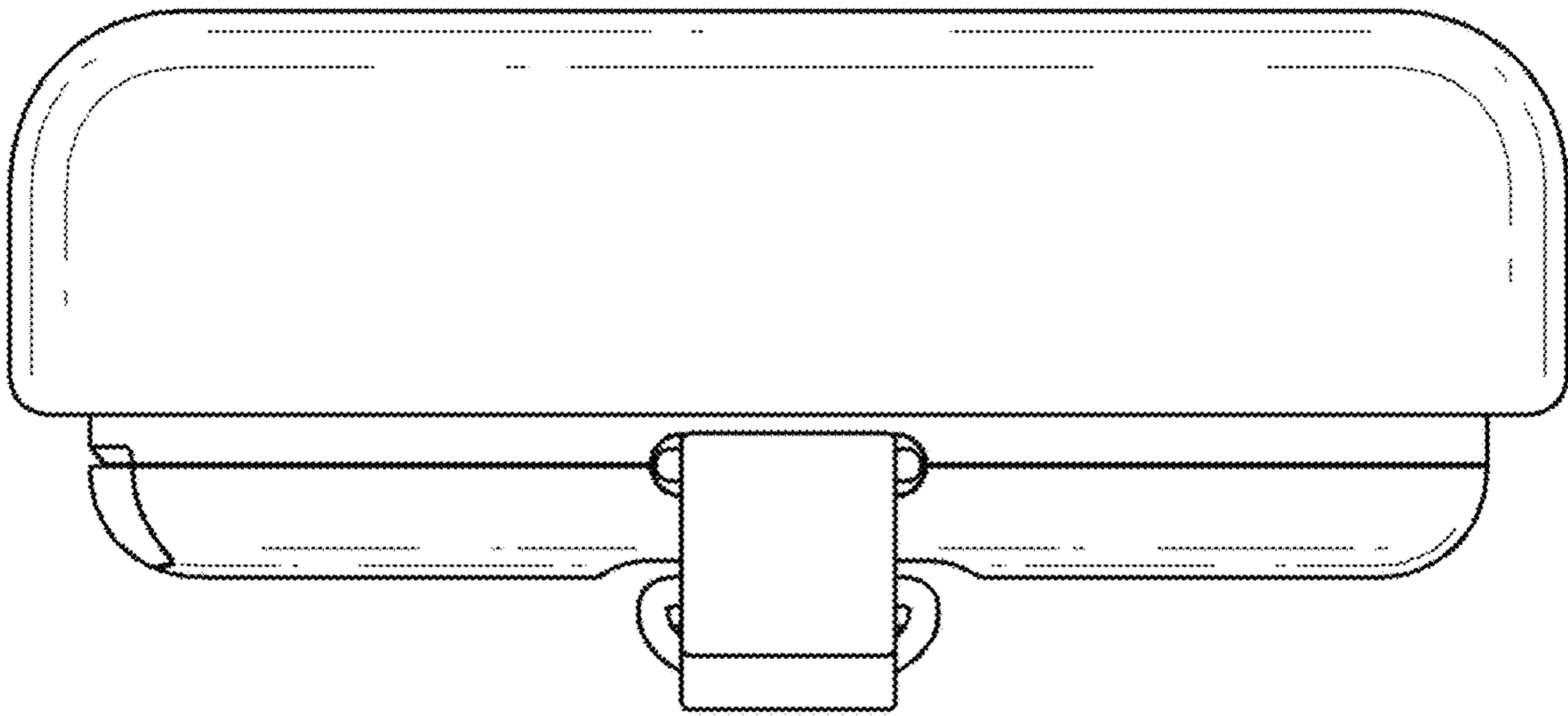
1.1



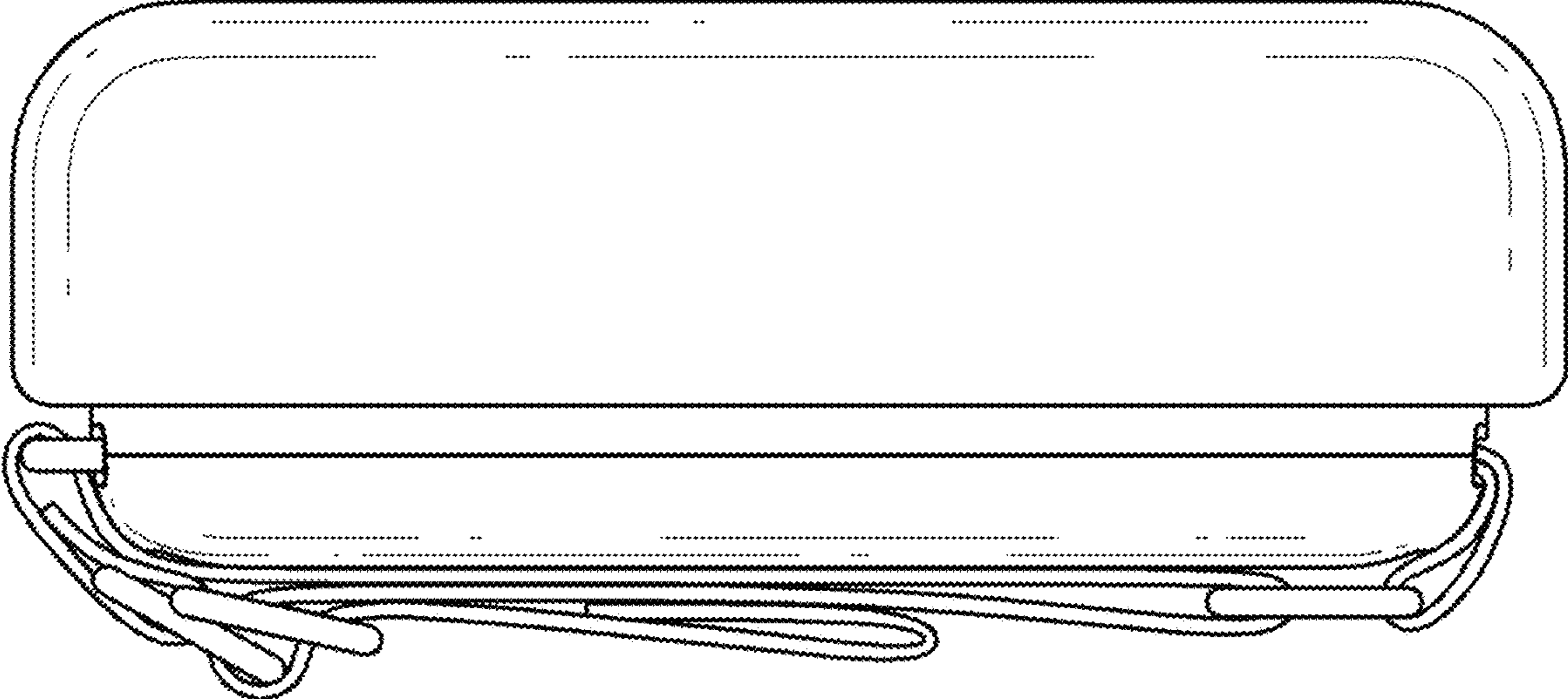
1.2



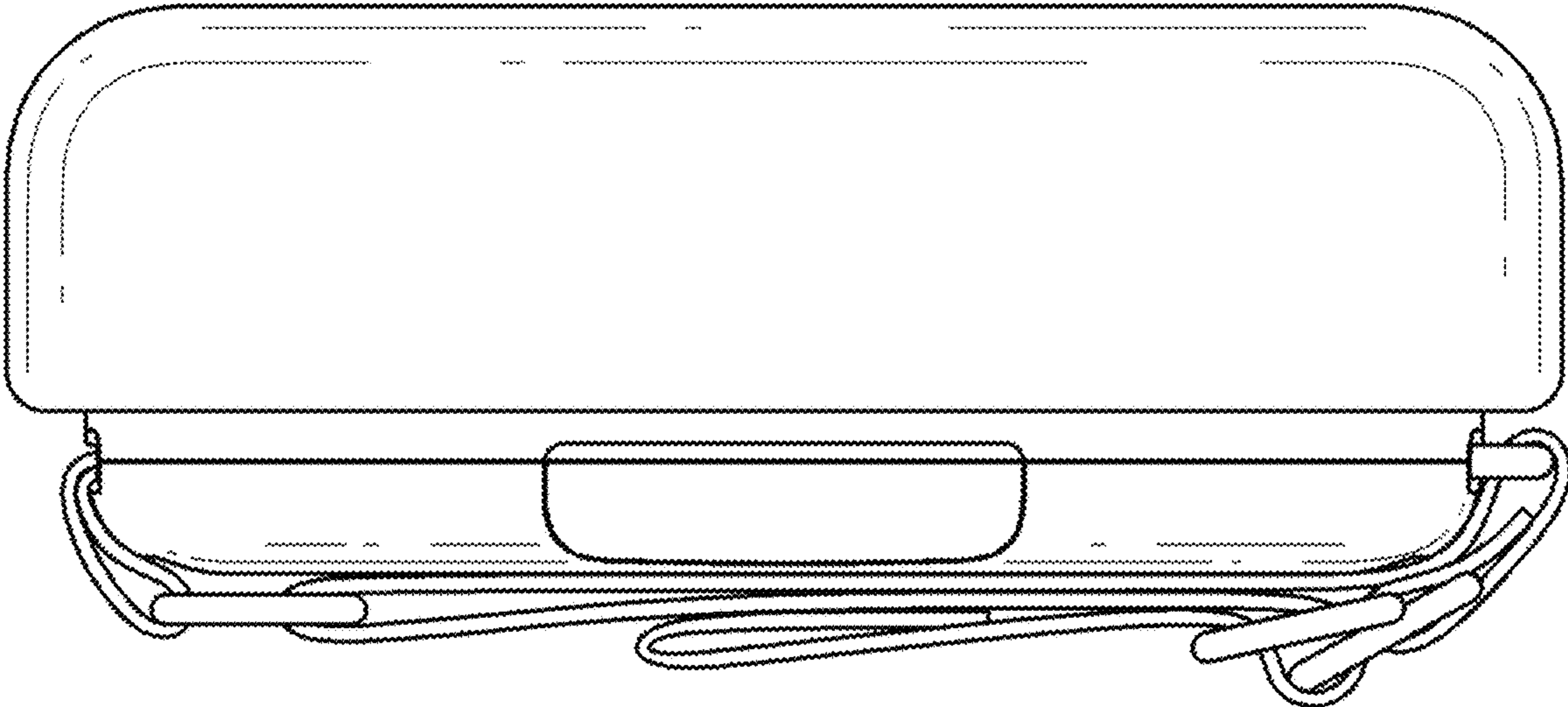
1.3



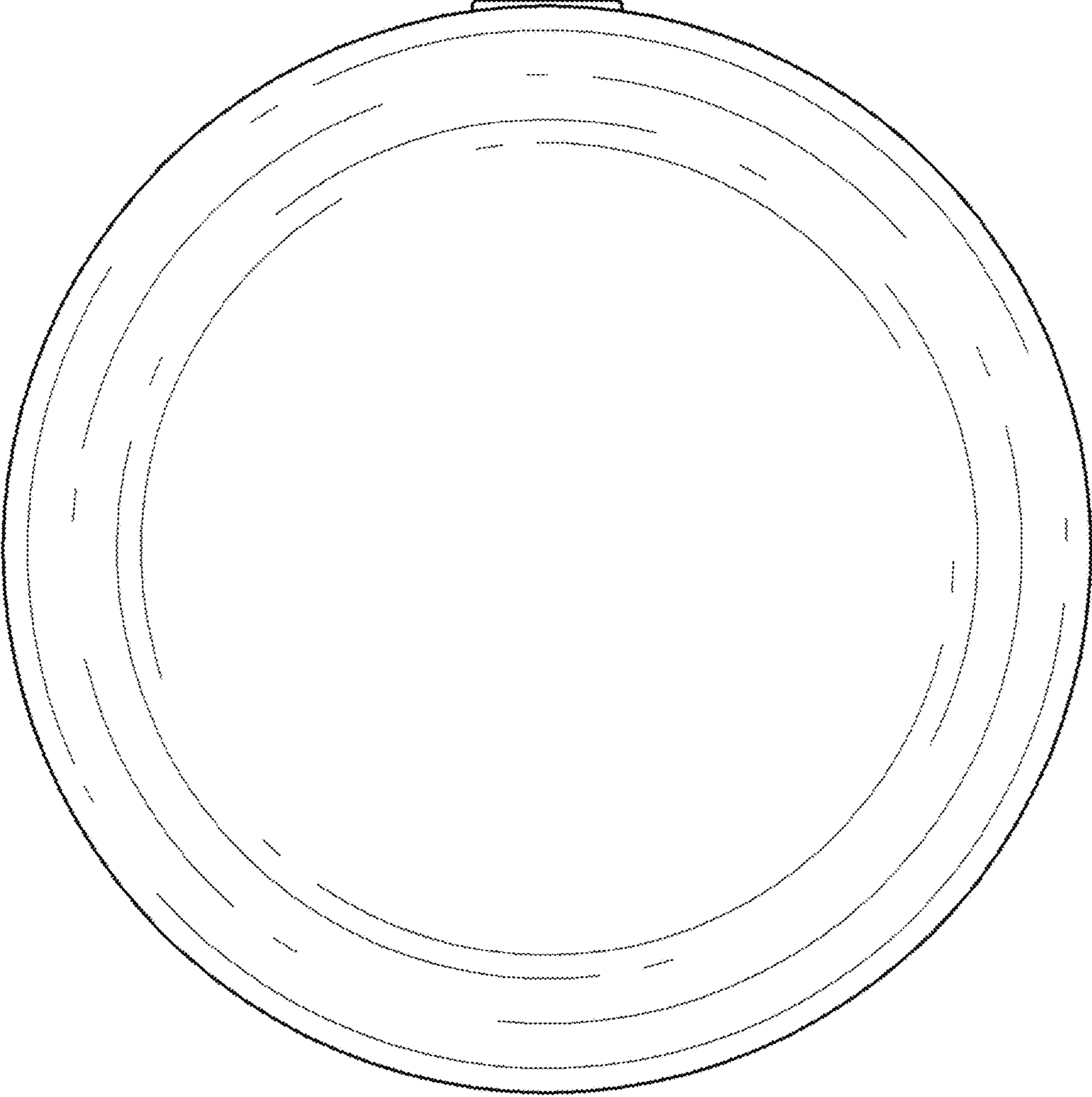
1.4



1.5



1.6





1.7

