



US00D819599S

(12) **United States Design Patent**
Won et al.

(10) **Patent No.:** **US D819,599 S**

(45) **Date of Patent:** **** Jun. 5, 2018**

(54) **AUDIO VISUAL BOX FOR TV RECEIVER**

H04R 19/02; H04F 2400/00; H04F
2400/07; H04F 2400/11; G06F 1/16

(71) Applicant: **LG ELECTRONICS INC.**, Seoul
(KR)

See application file for complete search history.

(72) Inventors: **Hyojin Won**, Seoul (KR); **Hyeyoung
Hong**, Seoul (KR); **Yongho Lee**, Seoul
(KR); **Youngkyoung Kim**, Seoul (KR)

(56) **References Cited**

U.S. PATENT DOCUMENTS

(73) Assignee: **LG ELECTRONICS INC.**, Seoul
(KR)

D285,198 S *	8/1986	Danielson	D14/142
D442,943 S *	5/2001	Chang	D14/215
D483,349 S *	12/2003	Murakami	D14/215
D491,167 S *	6/2004	Yokoyama	D14/215
D570,332 S *	6/2008	Landerholm	D14/207
D578,109 S *	10/2008	Han	D14/215
D590,373 S *	4/2009	Brickstad	D14/215
D629,388 S *	12/2010	Son	D14/214
D653,239 S *	1/2012	Kim	D14/215
D701,187 S *	3/2014	Sung	D14/126
D710,823 S *	8/2014	Woo	D14/214
D720,723 S *	1/2015	Cho	D14/215

(**) Term: **15 Years**

(21) Appl. No.: **35/502,887**

(Continued)

(22) Filed: **Oct. 24, 2016**

OTHER PUBLICATIONS

(80) **Hague Agreement Data**

Int. Filing Date: **Oct. 24, 2016**
Int. Reg. No.: **DM/093223**
Int. Reg. Date: **Oct. 24, 2016**
Int. Reg. Pub. Date: **Apr. 28, 2017**

Larsen, Rasmus, LG brings Dolby Atmos to SJ9 soundbar, posted at FlatpanelsHD, posting date Jan. 10, 2017. [online][site visited Mar. 13, 2018] URL: <<https://www.flatpanelshd.com/news.php?subaction=showfull&id=1484046315>> (Year: 2017).*

(Continued)

(30) **Foreign Application Priority Data**

Apr. 27, 2016 (KR) 30-2016-0020193

Primary Examiner — George D. Kirschbaum

Assistant Examiner — Kathleen L Jones

(51) **LOC (11) Cl.** **14-03**

(74) *Attorney, Agent, or Firm* — Birch, Stewart, Kolasch & Birch, LLP

(52) **U.S. Cl.**
USPC **D14/215**

(57) **CLAIM**

The ornamental design for an audio visual box for TV receiver, as shown and described.

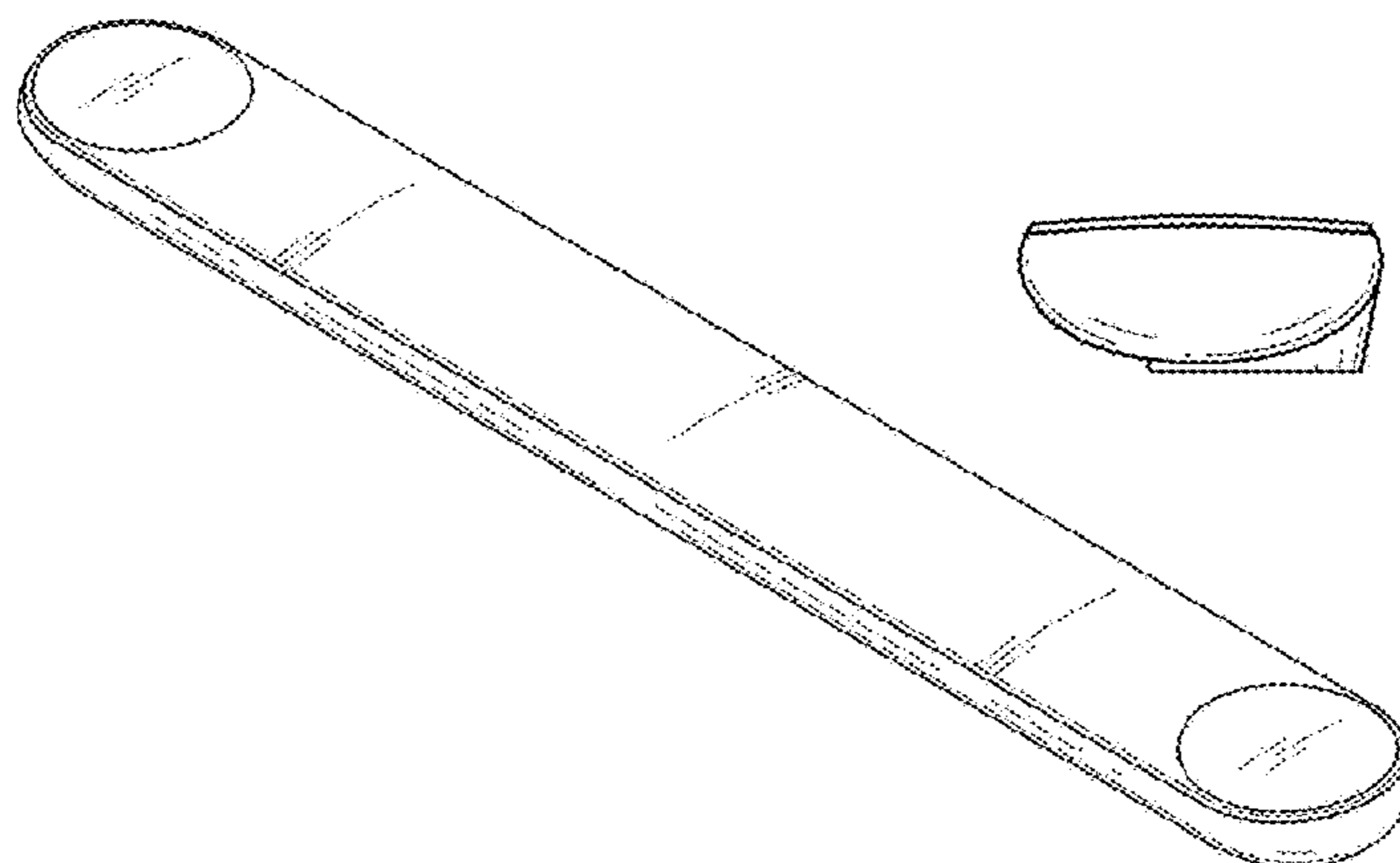
(58) **Field of Classification Search**

USPC D14/125–126, 129, 132–133, 375–376,
D14/451, 221, 224, 224.1, 239, 242, 204,
D14/209.1, 210, 211, 214–216, 357–358,
D14/496, 172, 194–195
CPC . B60R 11/0217; B60R 11/0223; H04R 1/023;
H04R 1/025; H04R 1/323; H04R 5/02;

DESCRIPTION

1. Audio visual box for TV receiver
- 1.1 is a perspective view.
- 1.2 is a front view.
- 1.3 is a back view.
- 1.4 is a left side view.

(Continued)



1.5 is a right side view.

1.6 is a top view.

1.7 is a bottom view.

1 Claim, 7 Drawing Sheets

(56) **References Cited**

U.S. PATENT DOCUMENTS

D784,287 S * 4/2017 Murray D14/168
D793,362 S * 8/2017 Fischer D14/214
D802,549 S * 11/2017 Kim D14/126
2014/0064541 A1 * 3/2014 Guenther H04R 1/288
381/351

OTHER PUBLICATIONS

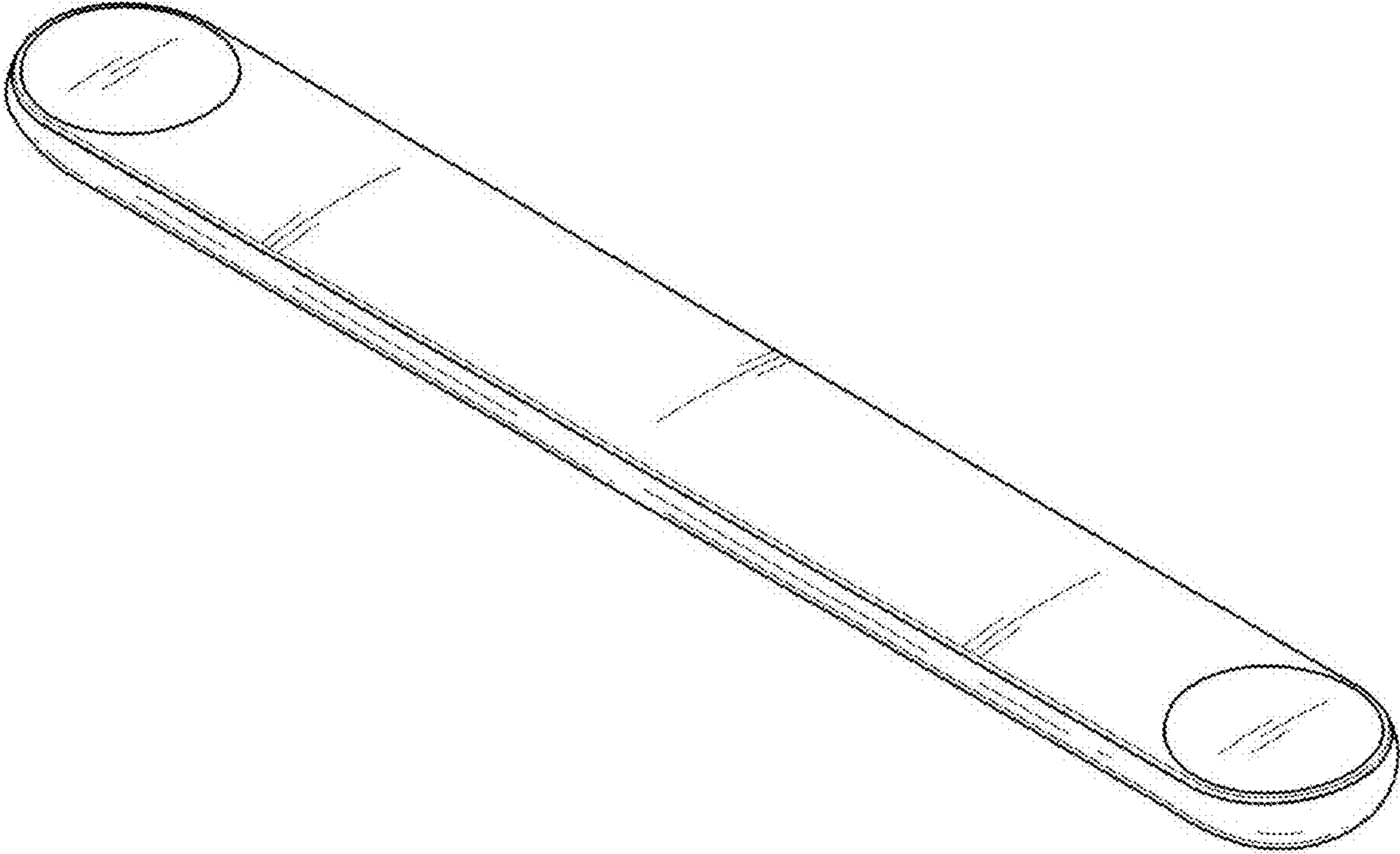
Zhicong, Zhou, CN-302789369, posted at Orbit, publication date Apr. 9, 2014. [online] [site visited Mar. 13, 2018] (Year: 2014).*

Langridge, Max, Best of CES 2017—Speakers: B&O, LG, and more, posted at Pocket lint, posting date Jan. 9, 2017. [online][site visited Mar. 13, 2018] URL: <<https://www.pocket-lint.com/speakers/buyers-guides/140420-best-of-ces-2017-speakers-b-o-lg-and-more>> (Year: 2017).*

Polk Signa Solo GE Universal Home Theater Sound Bar, posted at Toys R Us, review posted Dec. 2017. [online][site visited Mar. 13, 2018] URL: <<https://www.toysrus.com/buy/more-ps4-accessories/polk-signa-solo-ge-universal-home-theater-sound-bar-null-135224536>> (Year: 2017).*

* cited by examiner

1.1



1.2



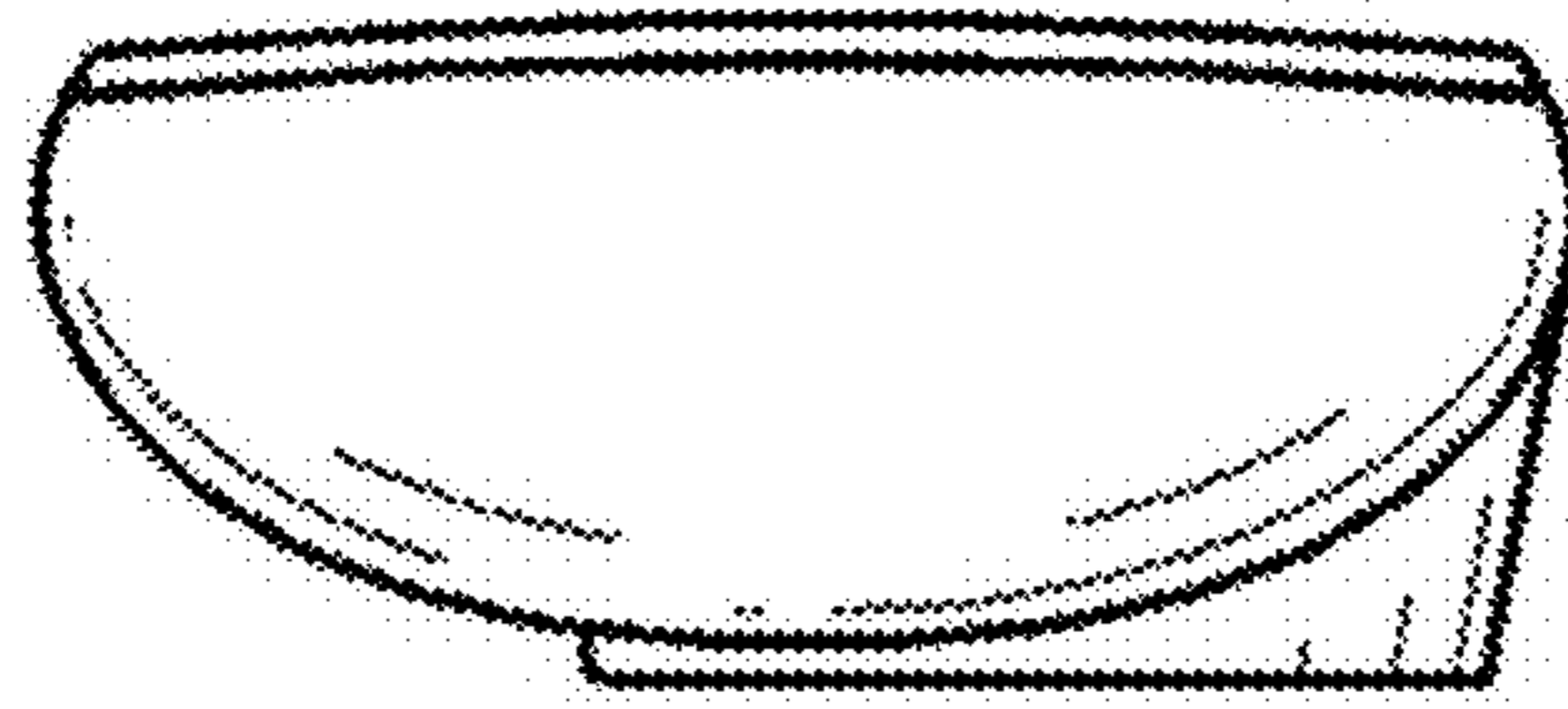
1.3



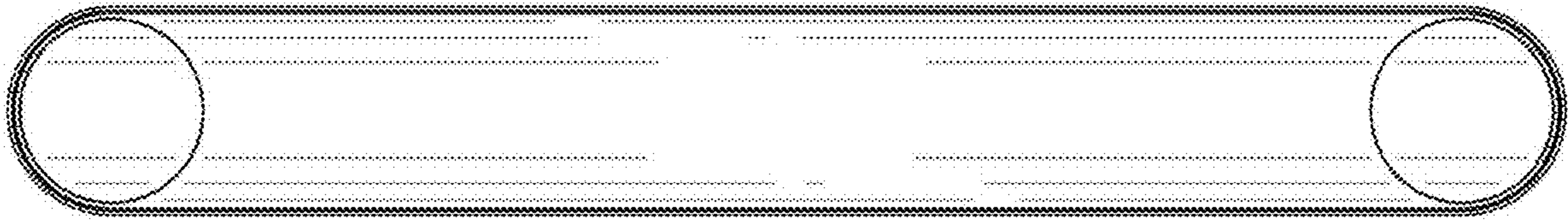
1.4



1.5



1.6



1.7

