



US00D819598S

(12) **United States Design Patent**
Won et al.

(10) **Patent No.:** **US D819,598 S**
(45) **Date of Patent:** **** Jun. 5, 2018**

(54) **AUDIO VISUAL BOX FOR TV RECEIVER**

H04R 19/02; H04F 2400/00; H04F 2400/07; H04F 2400/11; G06F 1/16

See application file for complete search history.

(71) Applicant: **LG ELECTRONICS INC.**, Seoul (KR)

(56) **References Cited**

(72) Inventors: **Hyojin Won**, Seoul (KR); **Hyeyoung Hong**, Seoul (KR); **Yongho Lee**, Seoul (KR); **Youngkyoung Kim**, Seoul (KR)

U.S. PATENT DOCUMENTS

D281,878 S * 12/1985 Kawakami D14/242
D282,256 S * 1/1986 Mizuno D14/242
D285,073 S * 8/1986 Danielson D14/248

(Continued)

(73) Assignee: **LG ELECTRONICS INC.**, Seoul (KR)

OTHER PUBLICATIONS

(**) Term: **15 Years**

Trager, Christian, Sony HT-NT5: test of the TV speaker, posted at Computerbild, posting date Aug. 25, 2016. [online][site visited Mar. 13, 2018] URL: <<http://www.computerbild.de/artikel/avf-Tests-Audio-Sony-HT-NT5-Soundbar-TV-Lautsprecher-Test-16201547.html>> (Year: 2016).*

(21) Appl. No.: **35/502,864**

(Continued)

(22) Filed: **Oct. 24, 2016**

(80) **Hague Agreement Data**

Primary Examiner — George D. Kirschbaum

Assistant Examiner — Kathleen L Jones

Int. Filing Date: **Oct. 24, 2016**

Int. Reg. No.: **DM/093227**

Int. Reg. Date: **Oct. 24, 2016**

Int. Reg. Pub. Date: **Apr. 28, 2017**

(74) *Attorney, Agent, or Firm* — Birch, Stewart, Kolasch & Birch, LLP

(57) **CLAIM**

The ornamental design for an audio visual box for TV receiver, as shown and described.

(30) **Foreign Application Priority Data**

DESCRIPTION

Apr. 27, 2016 (KR) 30-2016-0020183

(51) **LOC (11) Cl.** **14-03**

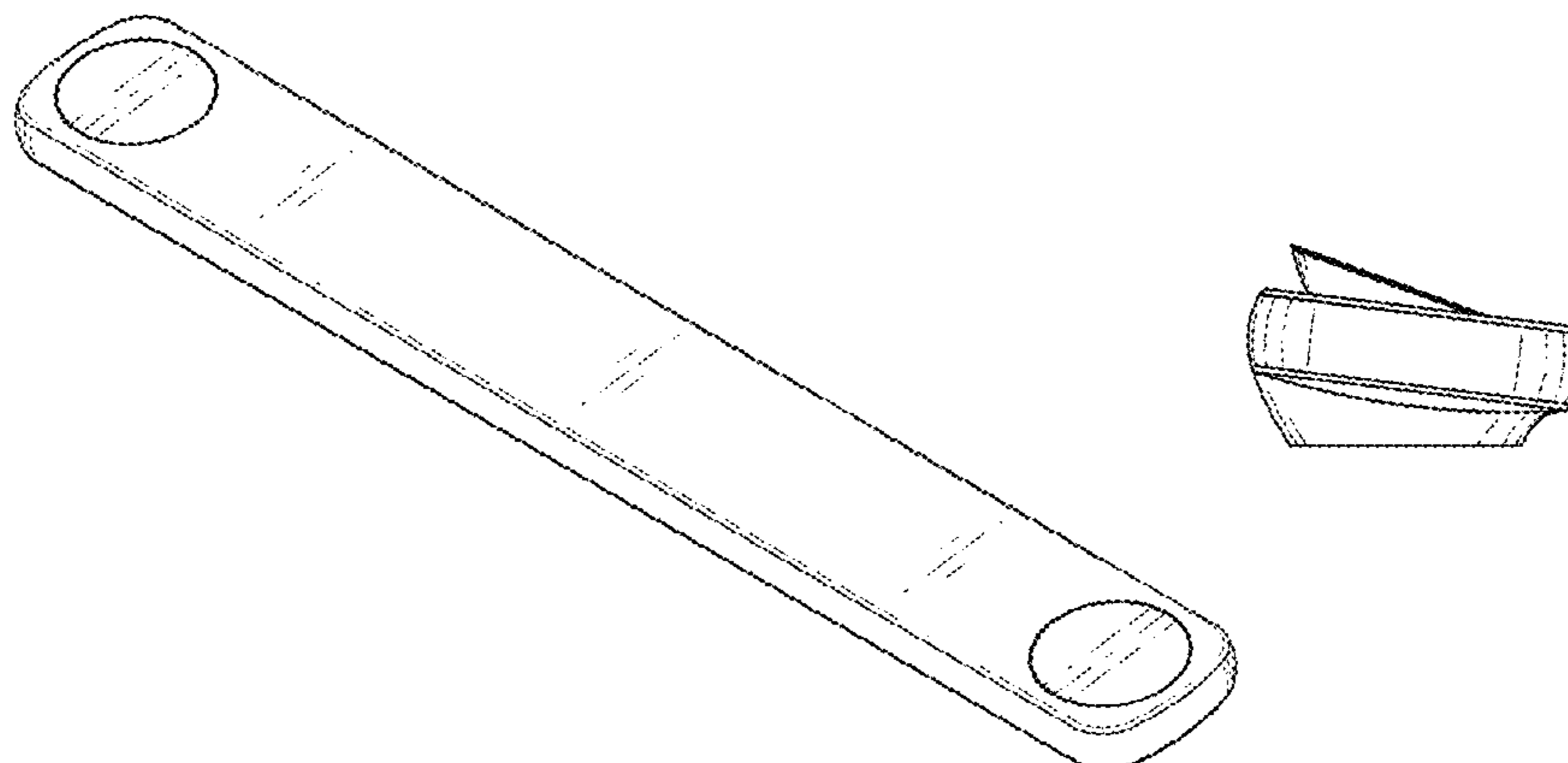
(52) **U.S. Cl.**
USPC **D14/215**

(58) **Field of Classification Search**
USPC D14/125–126, 129, 132–133, 375–376,
D14/451, 221, 224, 224.1, 239, 242, 204,
D14/209.1, 210, 211, 214–216, 357–358,
D14/496, 172, 194–195

CPC . B60R 11/0217; B60R 11/0223; H04R 1/023;
H04R 1/025; H04R 1/323; H04R 5/02;

- 1. Audio visual box for TV receiver
- 1.1 is a perspective view of an audio visual box for TV receiver.
- 1.2 is a front view thereof.
- 1.3 is a back view thereof.
- 1.4 is a left side view thereof.
- 1.5 is a right side view thereof.
- 1.6 is a top view thereof.
- 1.7 is a bottom view thereof.
- 1.8 is a perspective view of an audio visual box for TV receiver in an alternate position.
- 1.9 is a front view thereof.

(Continued)



- 1.10 is a back view thereof.
- 1.11 is a left side view thereof.
- 1.12 is a right side view thereof.
- 1.13 is a top view thereof.
- 1.14 is a bottom view thereof.

D784,287 S *	4/2017	Murray	D14/168
D802,560 S *	11/2017	Kitazawa	D14/214
D812,028 S *	3/2018	Kim	D14/126
2014/0064541 A1*	3/2014	Guenther	H04R 1/288 381/351
2015/0078580 A1*	3/2015	Schwerdtfeger	H04R 1/323 381/86

1 Claim, 14 Drawing Sheets

OTHER PUBLICATIONS

(56)

References Cited

U.S. PATENT DOCUMENTS

D285,198 S *	8/1986	Danielson	D14/142
D442,943 S *	5/2001	Chang	D14/215
D483,349 S *	12/2003	Murakami	D14/215
D578,109 S *	10/2008	Han	D14/215
D589,915 S *	4/2009	Xie	D14/125
D590,373 S *	4/2009	Brickstad	D14/215
D629,388 S *	12/2010	Son	D14/214
D701,187 S *	3/2014	Sung	D14/126
D710,823 S *	8/2014	Woo	D14/214
D718,274 S *	11/2014	Shadovitz	D14/209.1
D720,723 S *	1/2015	Cho	D14/215

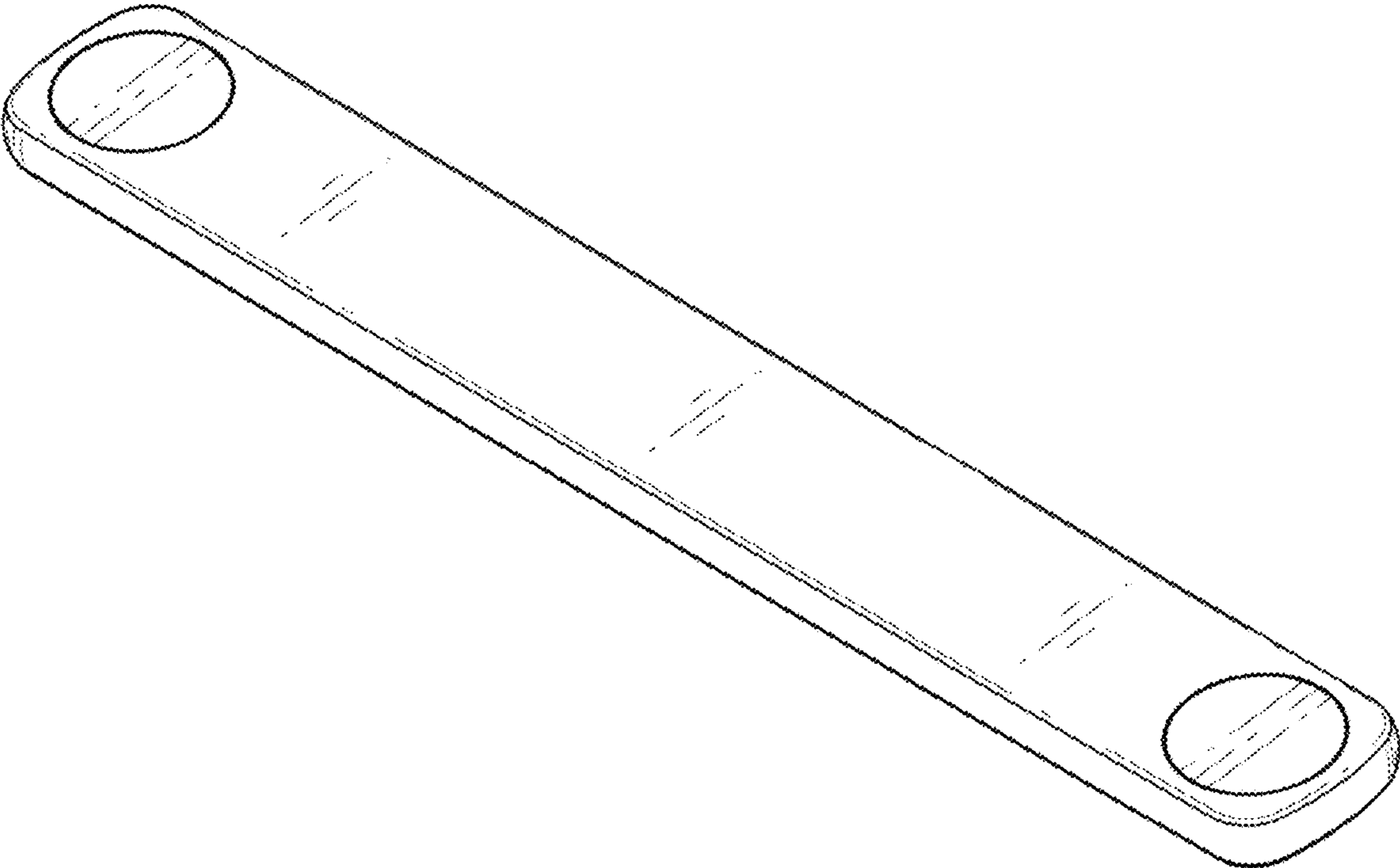
Yamaha YAS-201, posted at Crutchfield, comment posting date Jan. 5, 2014. [online][site visited 24 Mar. 2018] Url: <[https:// www.crutchfield.com/S-17N8o9MJnnXP/p. 022YAS201/Yamaha-YAS-201.html?tp=47366](https://www.crutchfield.com/S-17N8o9MJnnXP/p.022YAS201/Yamaha-YAS-201.html?tp=47366)> (Year: 2014).*

Larsen, Rasmus, LG brings Dolby Atmos to SJ9 soundbar, posted at FlatpanelsHD, posting date Jan. 10, 2017. [online][site visited Mar. 13, 2018] URL: <<https://www.flatpanelshd.com/news.php?subaction=showfull&id=1484046315>> (Year: 2017).*

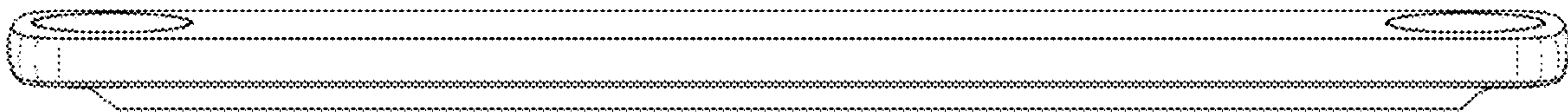
Langridge, Max, Best of CES 2017—Speakers: B&O, LG, and more, posted at Pocket lint, posting date Jan. 9, 2017. [online][site visited Mar. 13, 2018] URL: <<https://www.pocket-lint.com/speakers/buyers-guides/140420-best-of-ces-2017-speakers-b-o-lg-and-more>> (Year: 2017).*

* cited by examiner

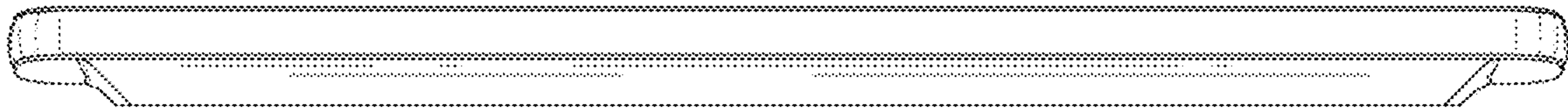
1.1



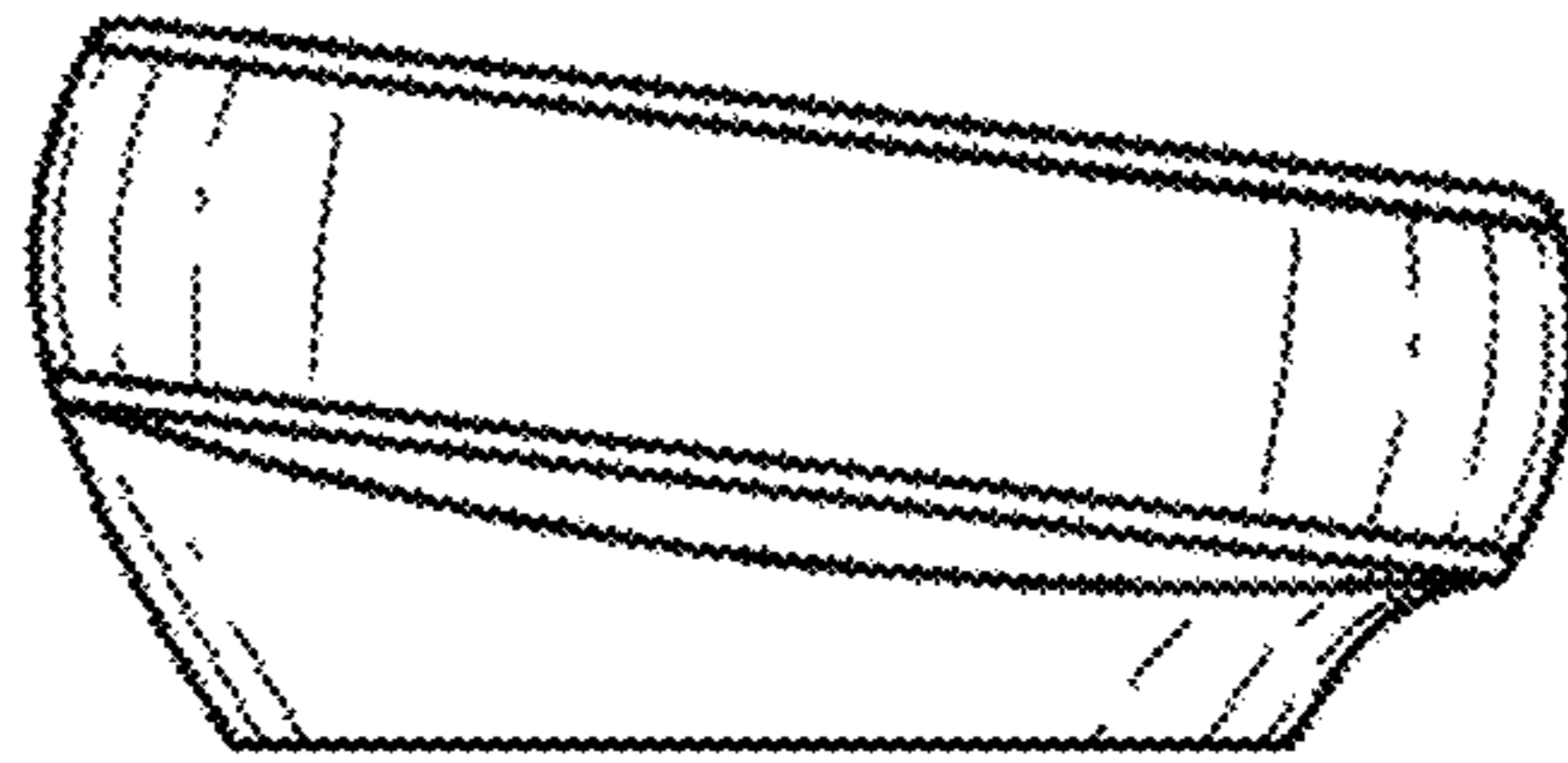
1.2



1.3



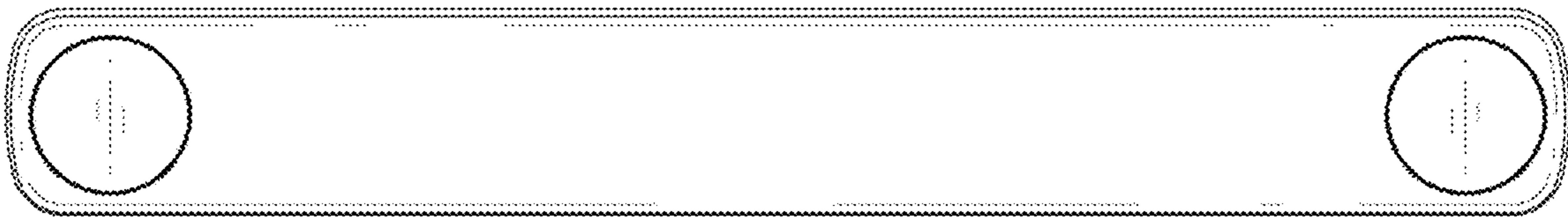
1.4



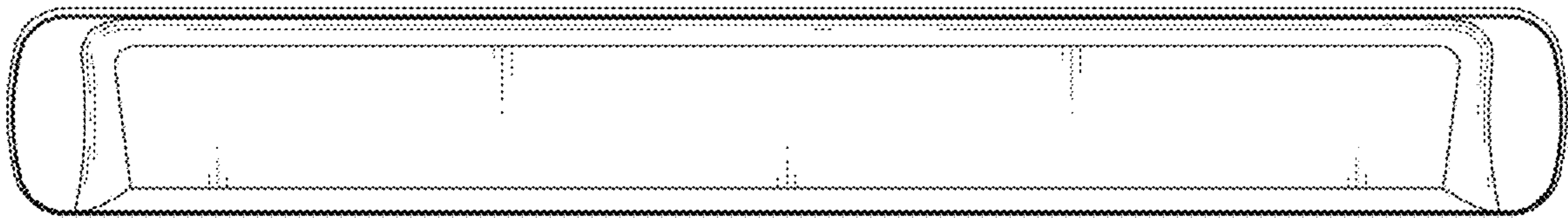
1.5



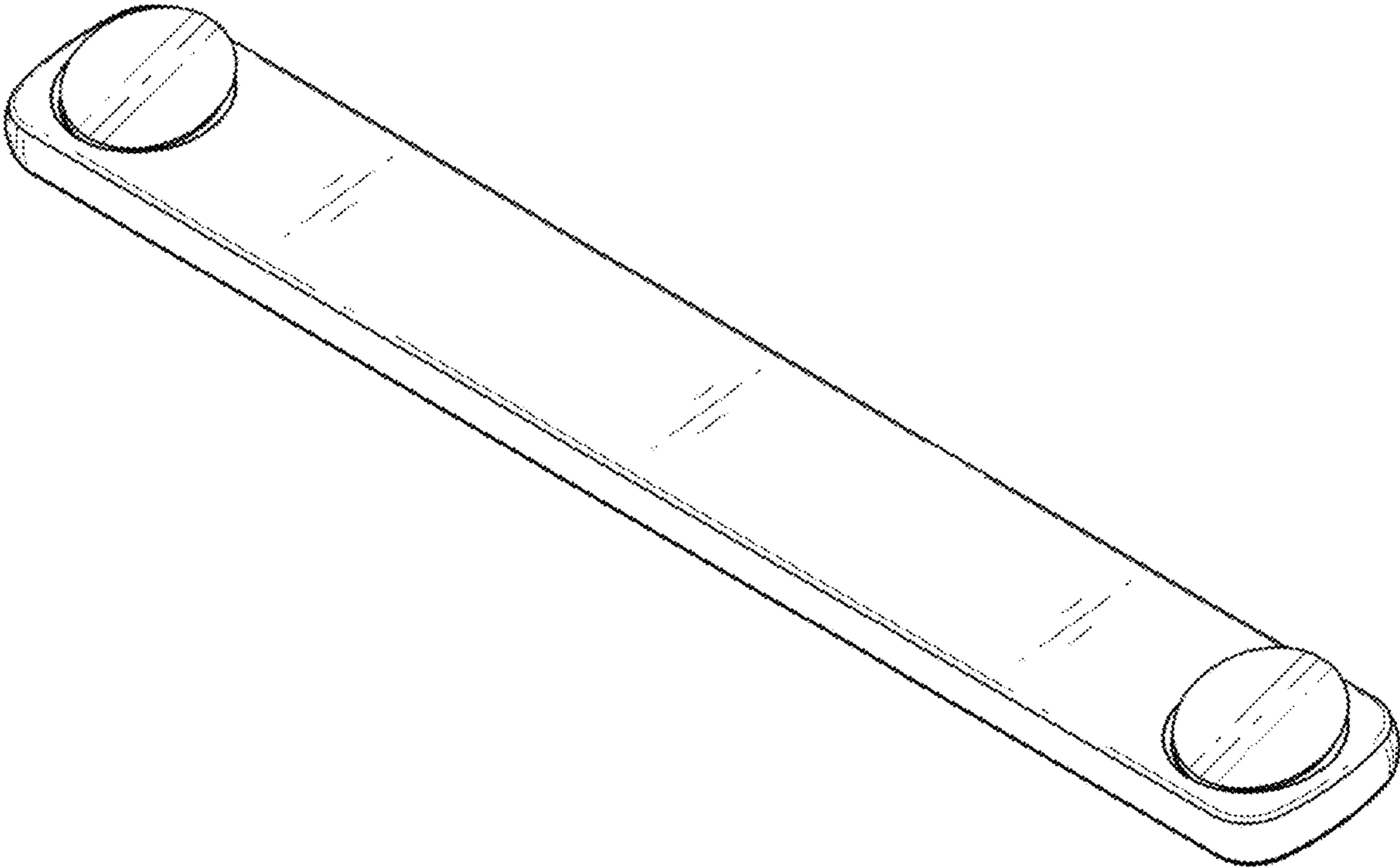
1.6



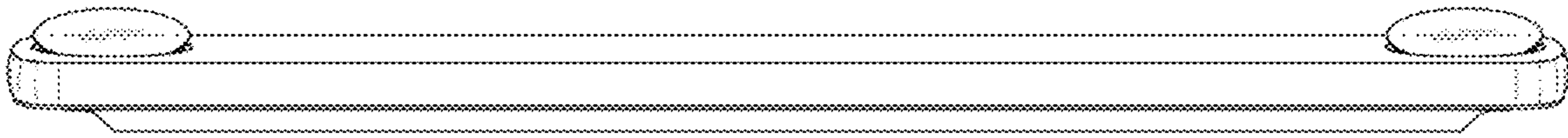
1.7



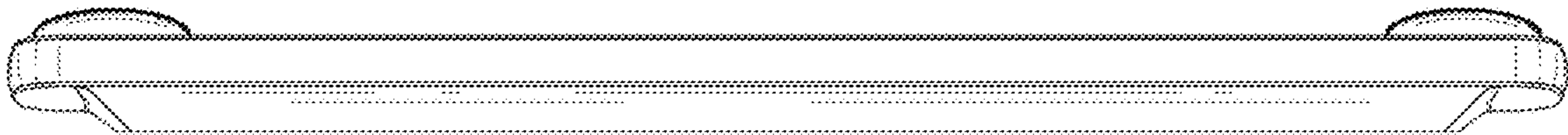
1.8



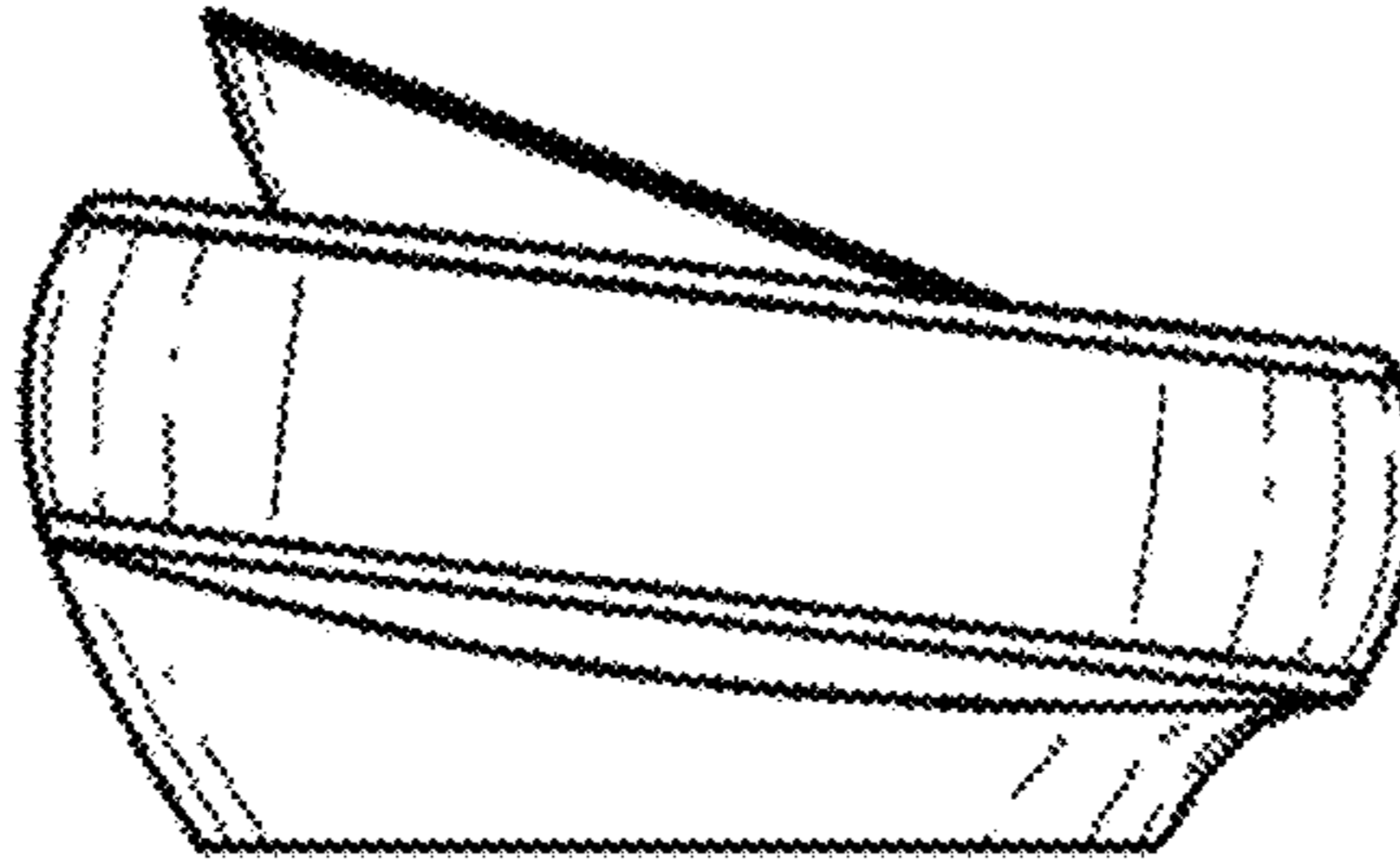
1.9



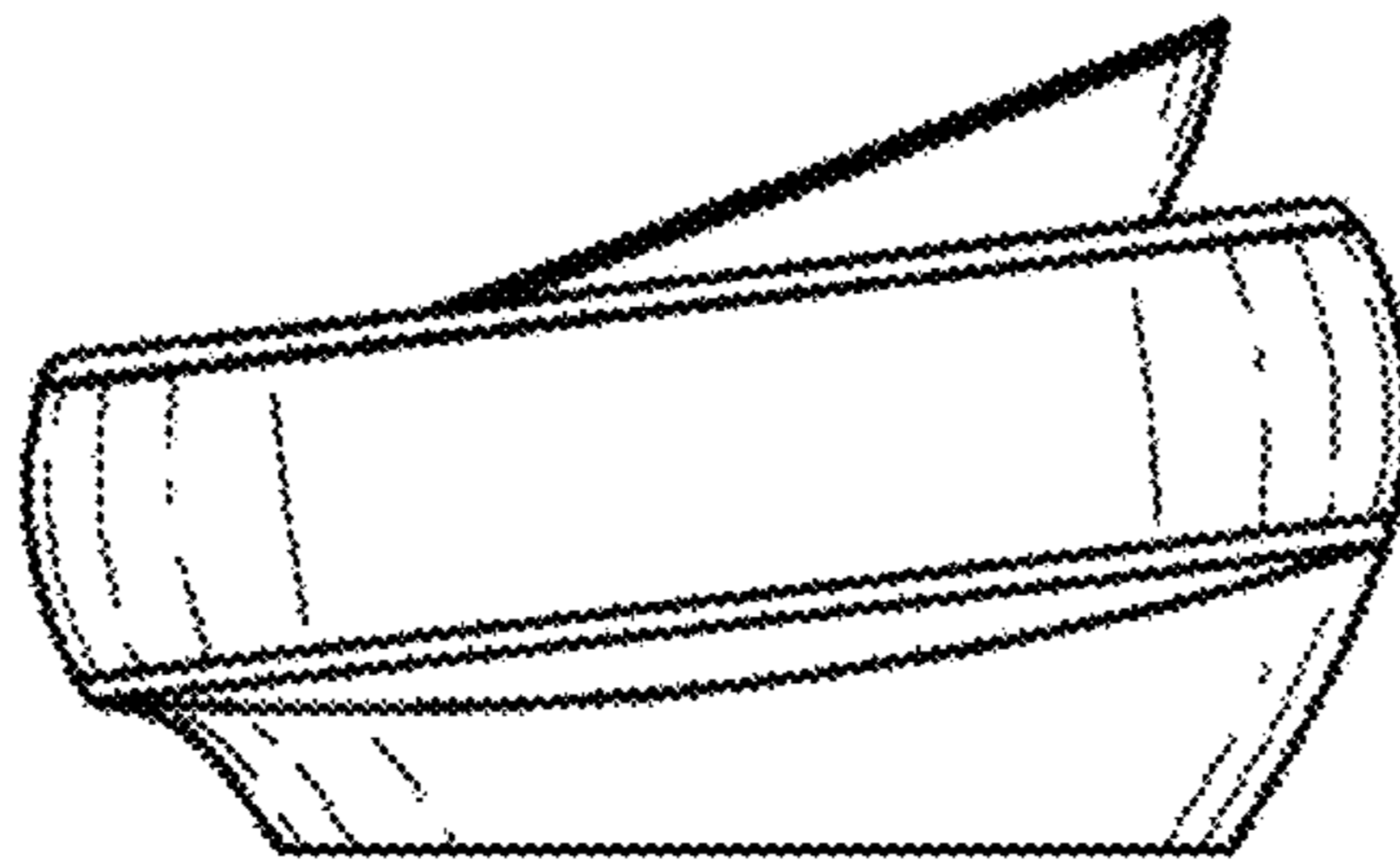
1.10



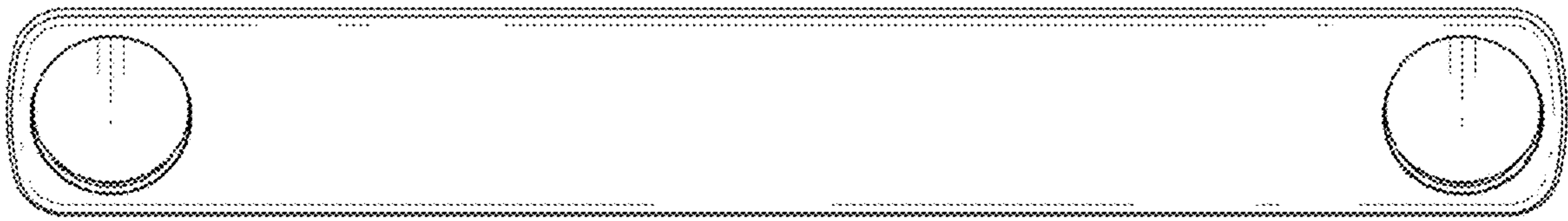
1.11



1.12



1.13



1.14

