



US00D819597S

(12) **United States Design Patent** (10) **Patent No.:** **US D819,597 S**  
**Hu** (45) **Date of Patent:** **\*\* Jun. 5, 2018**

(54) **WIRELESS SPEAKER**  
(71) Applicant: **Shuangwu Hu**, Jiangxi (CN)  
(72) Inventor: **Shuangwu Hu**, Jiangxi (CN)  
(\*\*) Term: **15 Years**  
(21) Appl. No.: **29/589,527**  
(22) Filed: **Jan. 2, 2017**  
(51) **LOC (11) Cl.** ..... **14-03**  
(52) **U.S. Cl.**  
USPC ..... **D14/214**  
(58) **Field of Classification Search**  
USPC ..... D14/167, 168, 170–172, 188, 194–196,  
D14/204, 207, 209.1, 210–216, 219, 221,  
D14/222, 224, 239, 496; 181/143, 144,  
181/147, 148, 150, 153, 157, 198, 199;  
381/300–303, 306, 332, 333, 336, 345,  
381/361–364, 386–388; 369/6–12  
CPC ..... B60R 11/0217; G06F 1/1688; G10K 9/22;  
G10K 11/004; H03F 1/327; H04M 1/03;  
H04M 1/035; H04N 5/642; H04N  
21/4852; H04R 1/02; H04R 1/06; H04R  
1/021; H04R 1/025; H04R 1/026; H04R  
1/028; H04R 1/105; H04R 1/323; H04R  
1/403; H04R 1/2803; H04R 1/2834;  
H04R 5/02; H04R 7/20; H04R 9/06;  
H04R 9/025; H04R 2201/021; H04R  
2400/00; H04R 2400/07; H04R 2499/11;  
H04R 2499/13; H04R 2499/15; H04S  
3/00; H04S 7/30

See application file for complete search history.

(56) **References Cited**  
U.S. PATENT DOCUMENTS  
D707,203 S \* 6/2014 Xie ..... D14/204  
D718,277 S \* 11/2014 Yamamoto ..... D14/214  
D719,932 S \* 12/2014 Osborn ..... D14/214  
D739,845 S \* 9/2015 Hwang ..... D14/214  
D743,937 S \* 11/2015 Farr ..... D14/214  
D761,227 S \* 7/2016 Poandl ..... D14/171  
D763,823 S \* 8/2016 Holzer ..... D14/209.1  
D766,875 S \* 9/2016 Holzer ..... D14/214  
D806,679 S \* 1/2018 Demin ..... D14/214

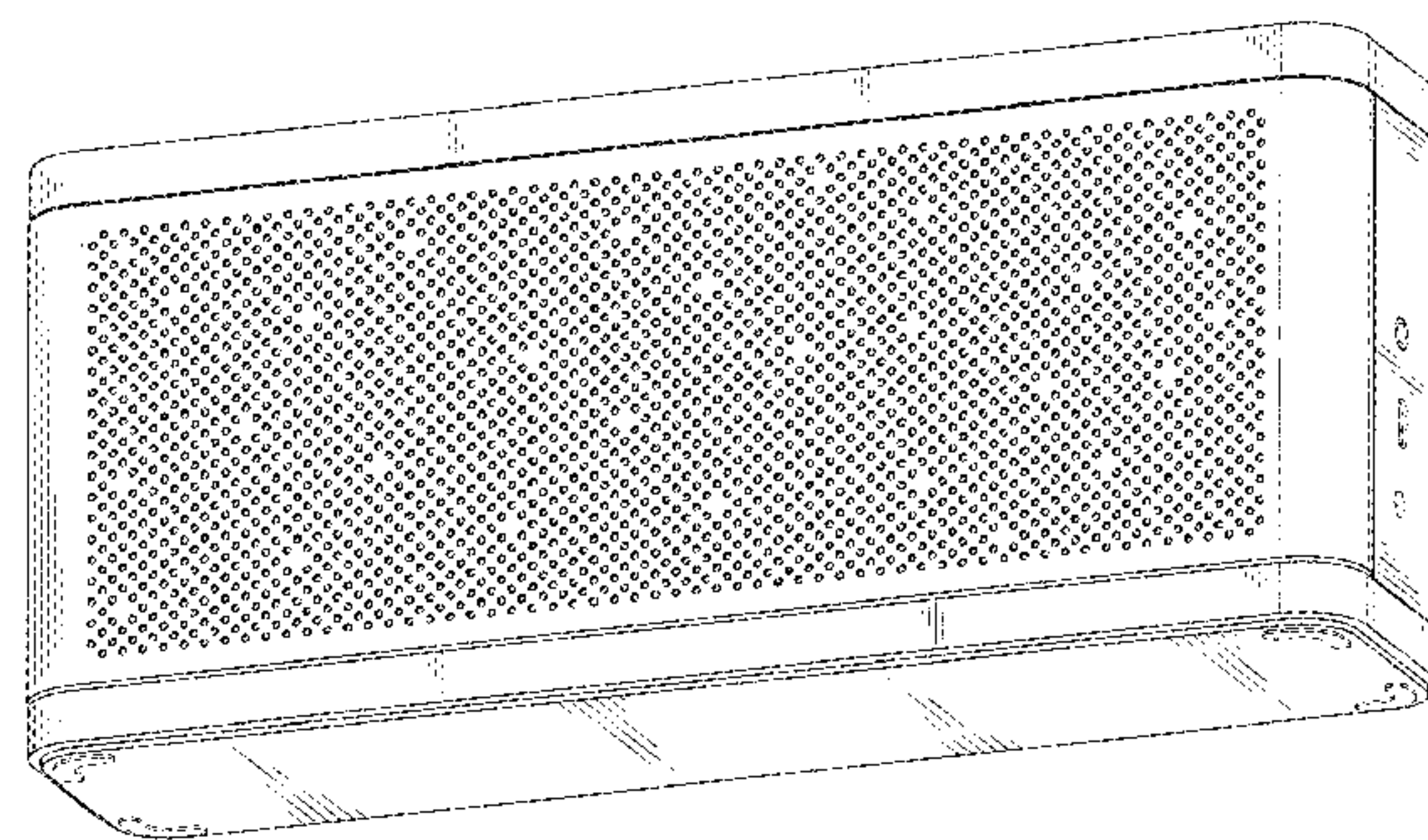
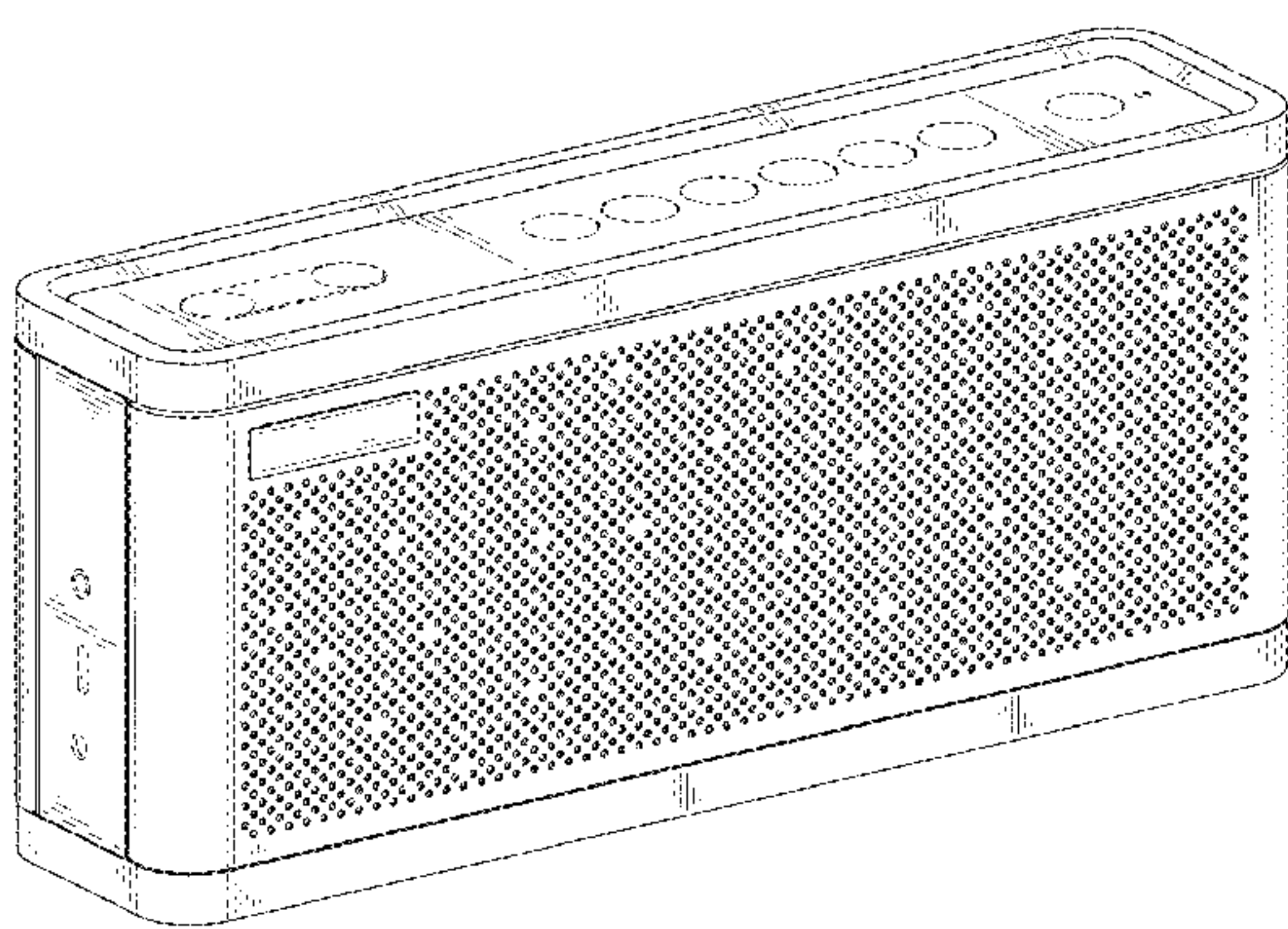
\* cited by examiner

*Primary Examiner* — Keli L Hill

(57) **CLAIM**  
The ornamental design for a wireless speaker, as shown and described.

**DESCRIPTION**  
FIG. 1 is a first perspective view of a wireless speaker showing my new design;  
FIG. 2 is a second perspective view thereof;  
FIG. 3 is a front elevational view thereof;  
FIG. 4 is a rear elevational view thereof;  
FIG. 5 is a left side view thereof;  
FIG. 6 is a right side view thereof;  
FIG. 7 is a top plan view thereof; and,  
FIG. 8 is a bottom plan view thereof.  
The broken lines in the drawings illustrate portions of the wireless speaker which form no part of the claimed design.

**1 Claim, 8 Drawing Sheets**



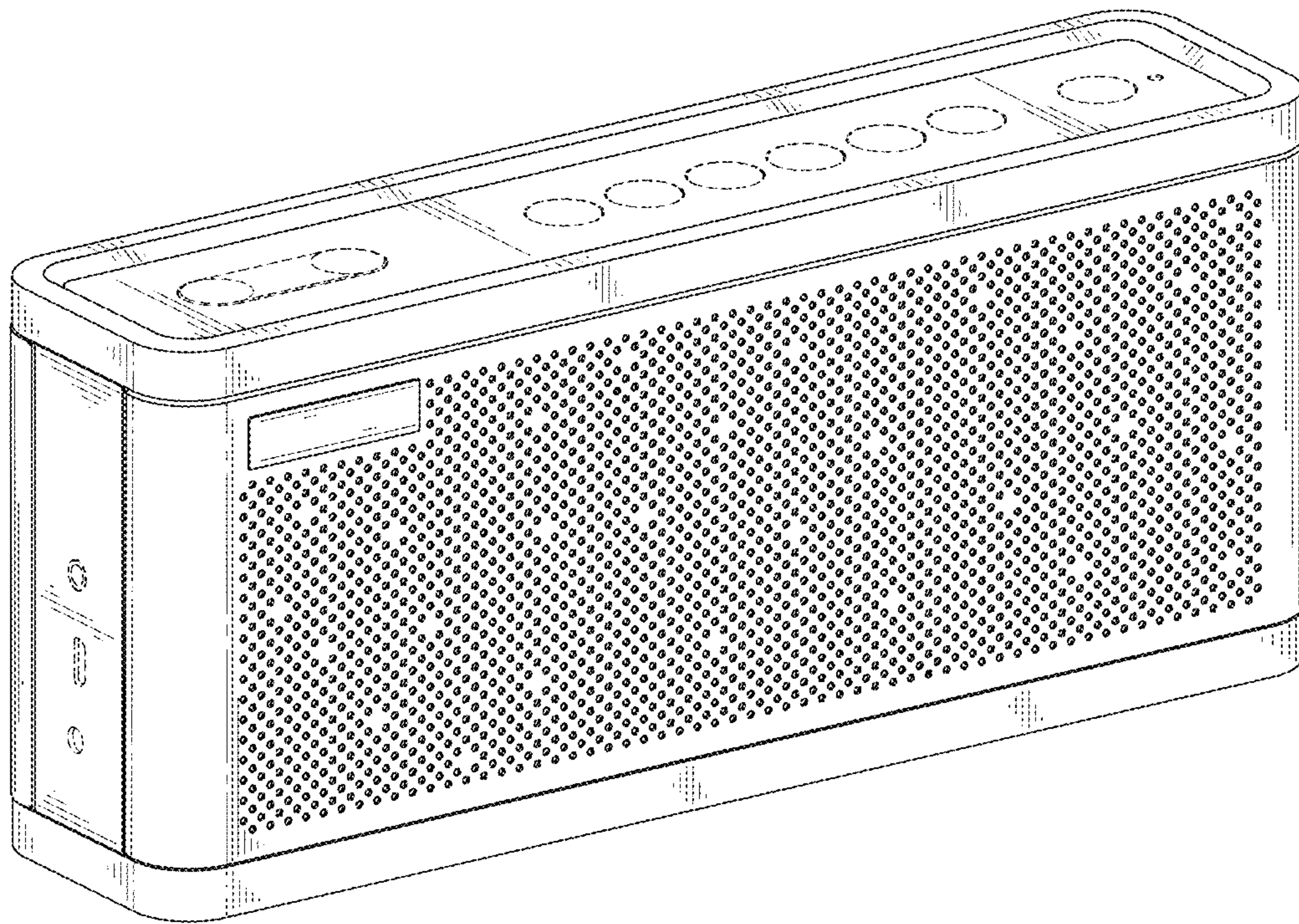


Fig. 1



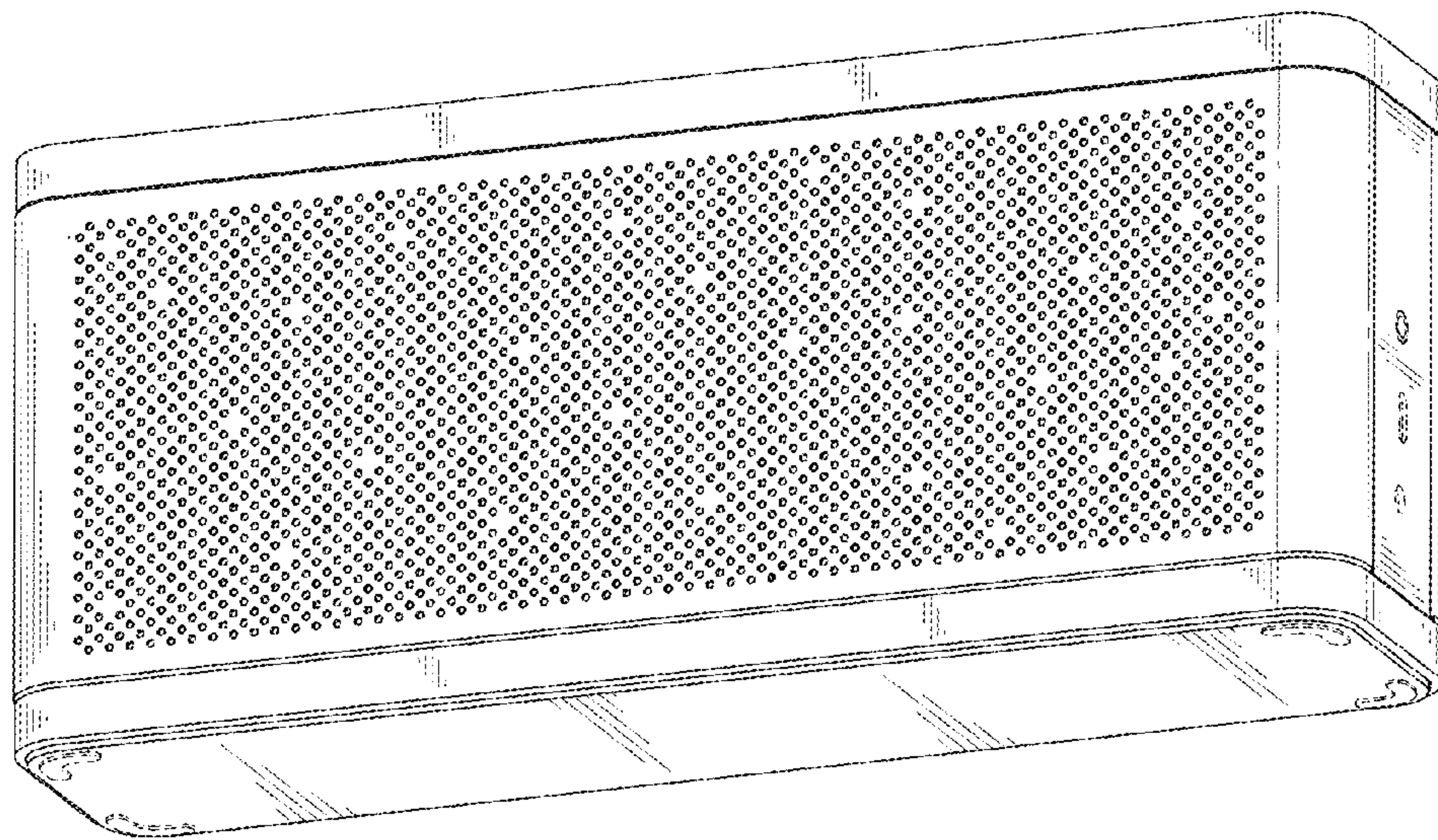


Fig. 2

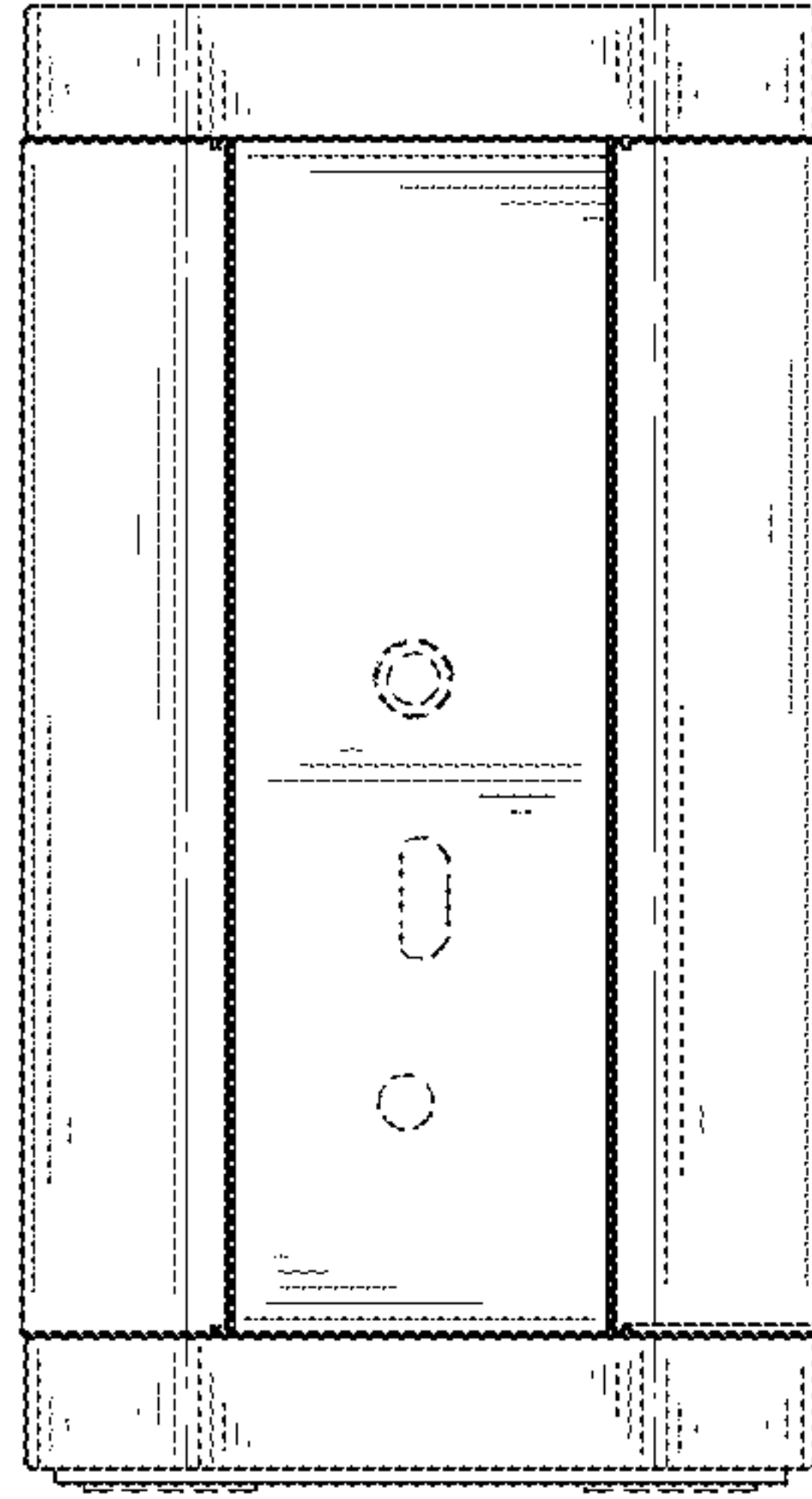


Fig. 3

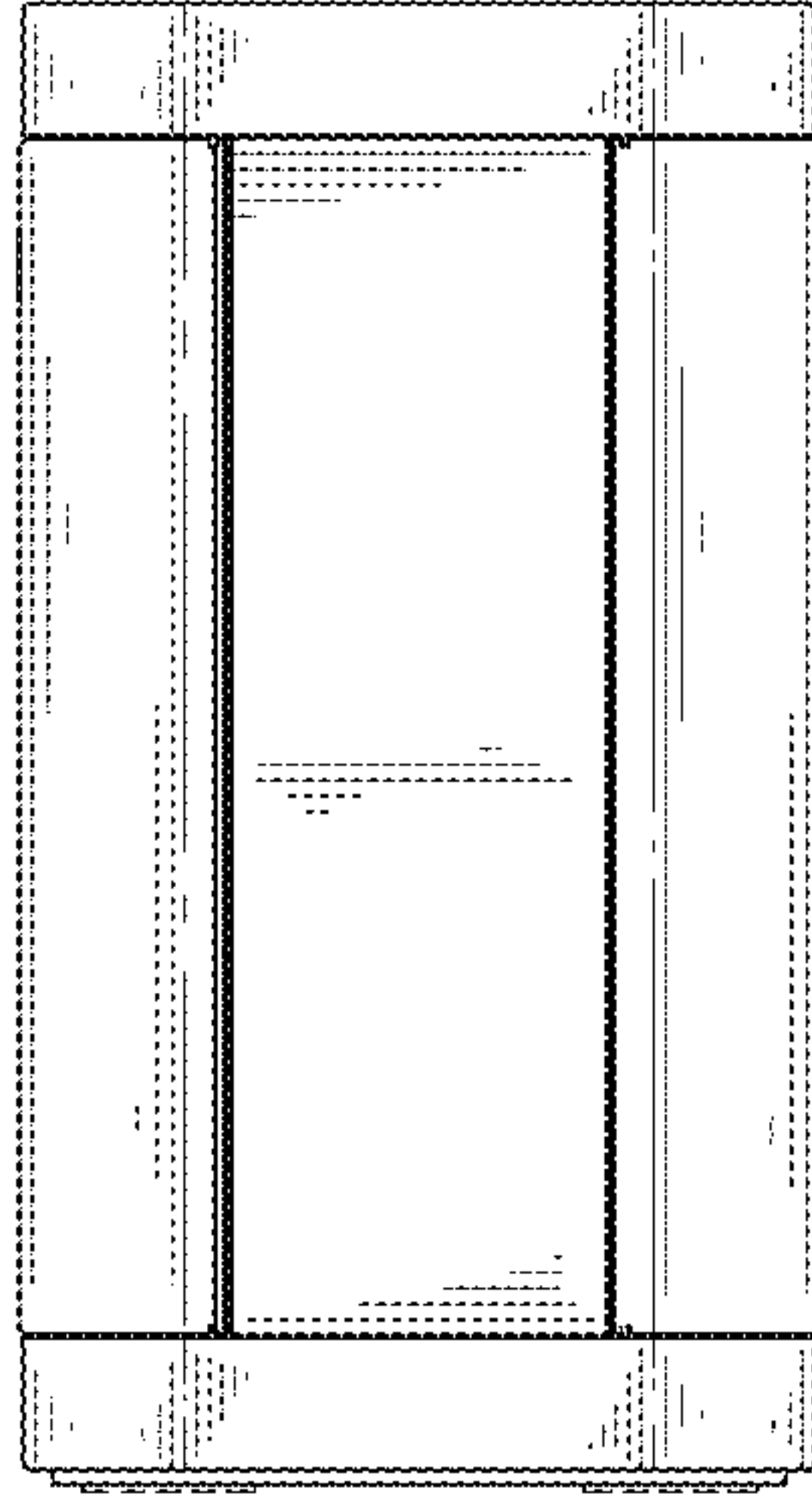


Fig. 4

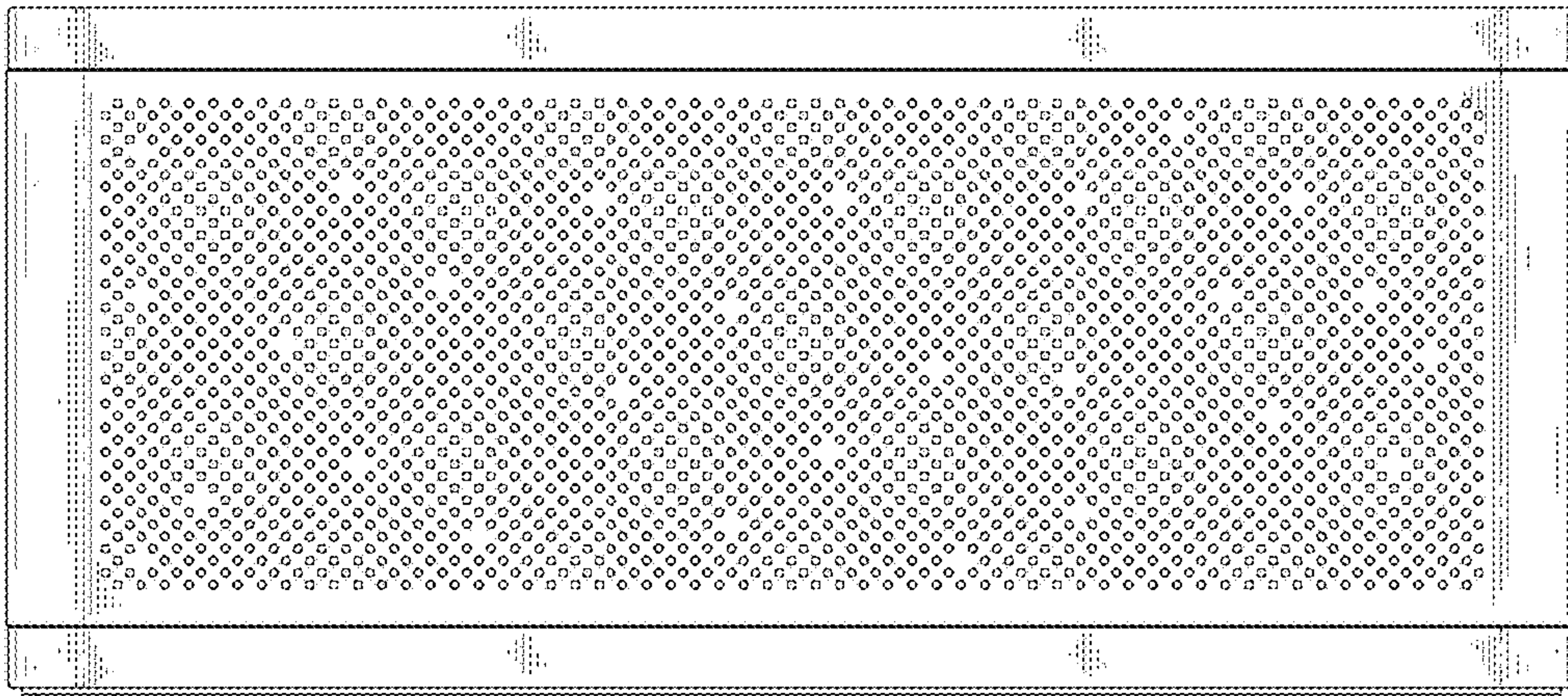


Fig. 5



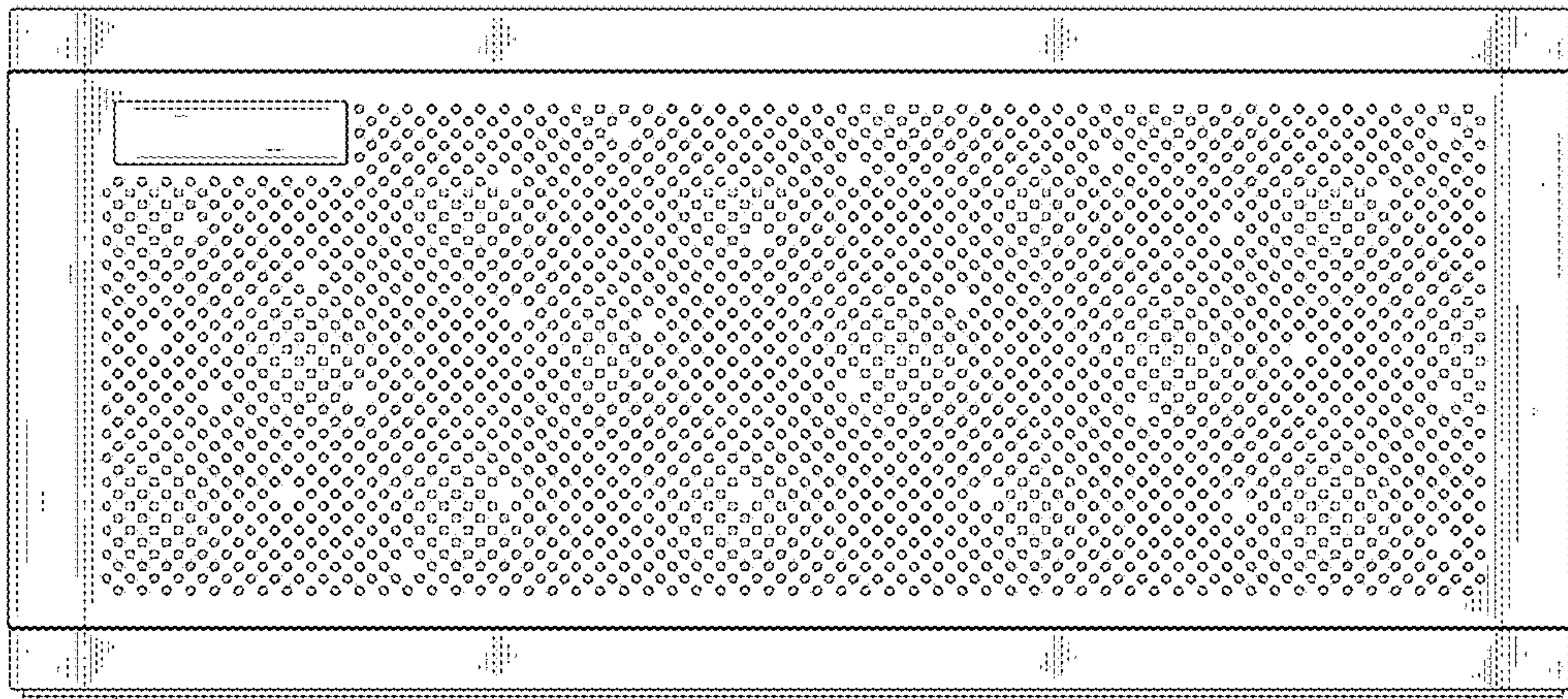


Fig. 6

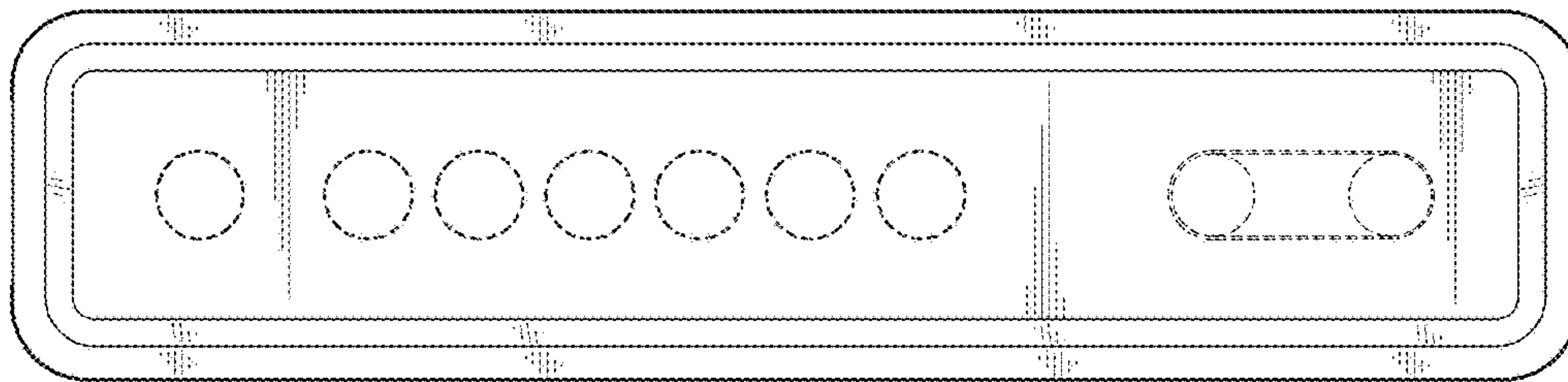


Fig. 7



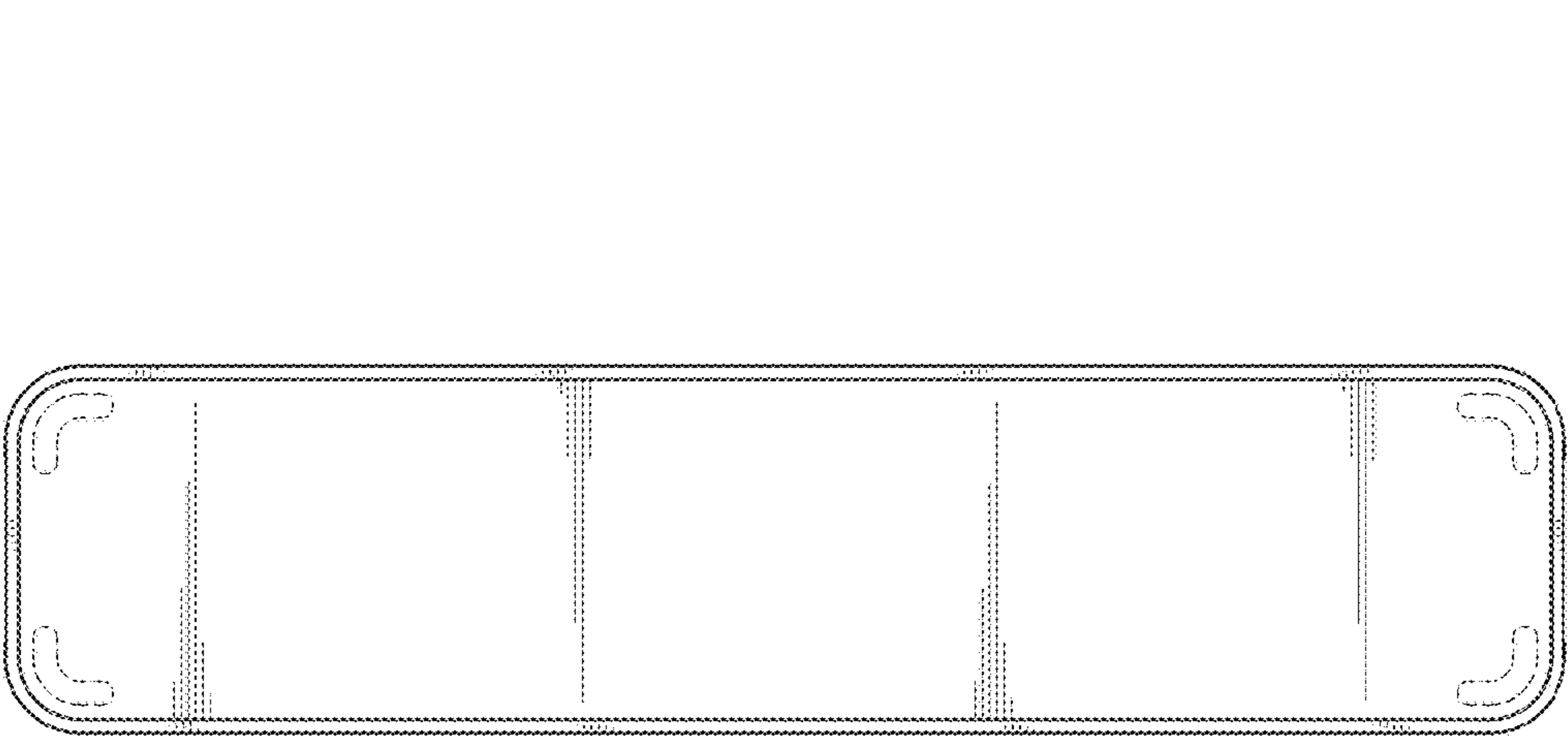


Fig. 8