

US00D819595S

(12) **United States Design Patent**
Tan

(10) **Patent No.:** **US D819,595 S**
(45) **Date of Patent:** **** Jun. 5, 2018**

(54) **STEREO SYSTEM**

(71) Applicant: **Universal Wisdom Tech. (Beijing) Co., Ltd.**, Beijing (CN)

(72) Inventor: **Gates Tan**, Beijing (CN)

(73) Assignee: **Universal Wisdom Tech (Beijing) Co., Ltd.** (CN)

(**) Term: **15 Years**

(21) Appl. No.: **29/590,985**

(22) Filed: **Jan. 15, 2017**

(51) **LOC (11) Cl.** **14-01**

(52) **U.S. Cl.**
USPC **D14/209.1**

(58) **Field of Classification Search**
USPC ... D14/209.1, 204, 214, 496, 156, 172, 253, D14/203.3, 434; 381/380, 381, 334; 455/90.3, 575.1, 569.1; 181/129, 130, 181/135; 379/430, 431
CPC . H04R 1/02; H04R 1/025; H04R 9/06; H04R 25/00; H04R 1/1091; H05K 5/00
See application file for complete search history.

D558,738 S * 1/2008 Andre D14/217
D584,287 S * 1/2009 Pauschitz D14/214
D592,177 S * 5/2009 Dobbs D14/158
D596,614 S * 7/2009 Wilson D14/188
D602,466 S * 10/2009 Hibino D14/203.3
D612,866 S * 3/2010 Sukeda D14/496
D620,922 S * 8/2010 Skurdal D14/209.1
D625,729 S * 10/2010 McNames D10/65
D631,062 S * 1/2011 Bennett D14/496
D633,503 S * 3/2011 Bo D14/434
D661,249 S * 6/2012 Smith D13/110
D669,879 S * 10/2012 Iijima D14/167
D682,806 S * 5/2013 Smith D14/155
D692,857 S * 11/2013 Chuang D14/212
D713,381 S * 9/2014 Riggs D14/214
D718,279 S * 11/2014 Yoon D14/215
8,971,560 B2 * 3/2015 Lyons H04R 1/026
381/334
D726,684 S * 4/2015 Schmiedbauer D14/210
D726,686 S * 4/2015 Yoon D14/216
D730,314 S * 5/2015 Chapman D14/204
9,226,056 B2 * 12/2015 Pan H04R 1/025
D748,075 S * 1/2016 McManigal D14/214

(Continued)

Primary Examiner — Paula Allen Greene

(57) **CLAIM**

The ornamental design for a stereo system, as shown and described.

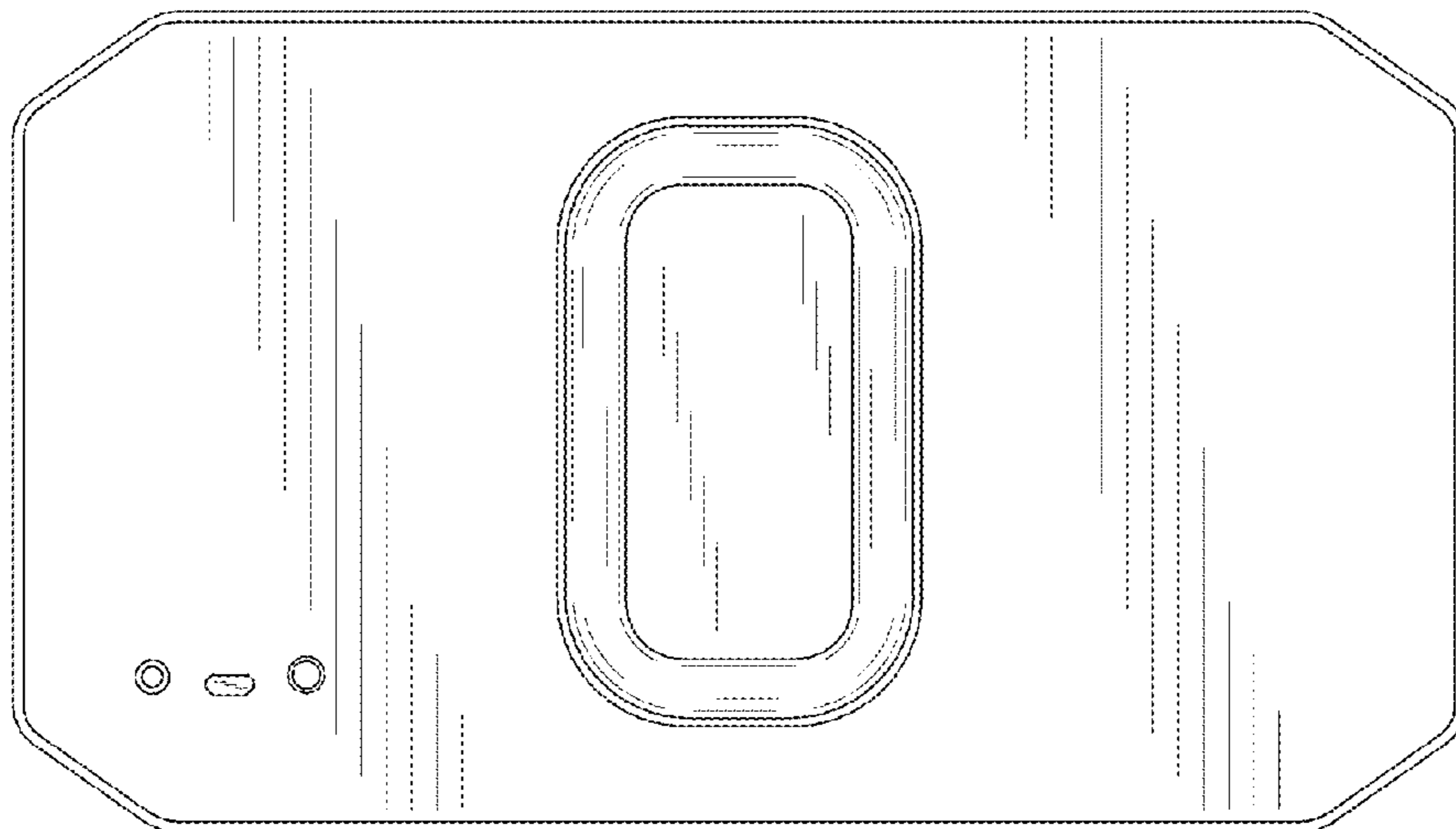
DESCRIPTION

FIG. 1 is a front view of the stereo system showing our new design;
FIG. 2 is a back view thereof;
FIG. 3 is a left side view thereof;
FIG. 4 is a right side view thereof;
FIG. 5 is a top view thereof;
FIG. 6 is a bottom view thereof;
FIG. 7 is a top perspective view thereof; and,
FIG. 8 is a bottom perspective view thereof.

1 Claim, 3 Drawing Sheets

(56) **References Cited**
U.S. PATENT DOCUMENTS

D388,089 S * 12/1997 Komamiya D14/191
5,883,859 A * 3/1999 Bentley G04G 13/021
368/10
D495,336 S * 8/2004 Andre D14/434
D513,617 S * 1/2006 Tierney D14/496
7,075,579 B2 * 7/2006 Whitby H04N 1/00204
348/207.99
D532,005 S * 11/2006 Leith D14/253
D550,703 S * 9/2007 Koizumi D14/496
D551,679 S * 9/2007 Hayes D14/188
D555,169 S * 11/2007 Shimizu D14/496
D557,709 S * 12/2007 Preston D15/7



(56)

References Cited

U.S. PATENT DOCUMENTS

D758,341 S *	6/2016	Ding	D14/209.1
D759,632 S *	6/2016	Fischer	D14/204
D763,823 S *	8/2016	Holzer	D14/209.1
D788,739 S *	6/2017	DeVesto	D14/172
D788,740 S *	6/2017	DeVesto	D14/172
2006/0250764 A1 *	11/2006	Howarth	G06F 1/1632
			361/679.41
2014/0247960 A1 *	9/2014	Liu	H04R 7/20
			381/400

* cited by examiner

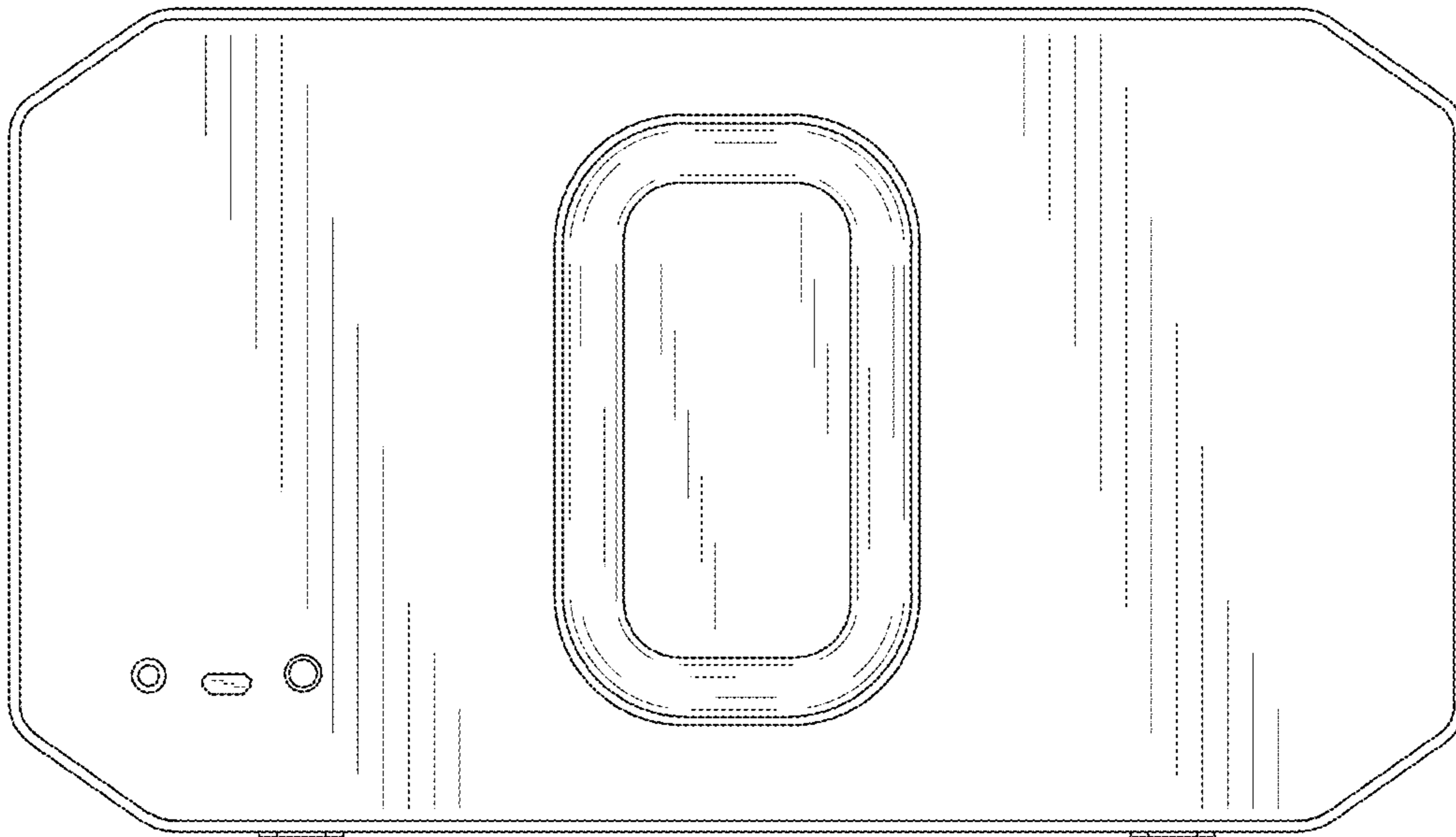


FIG.1

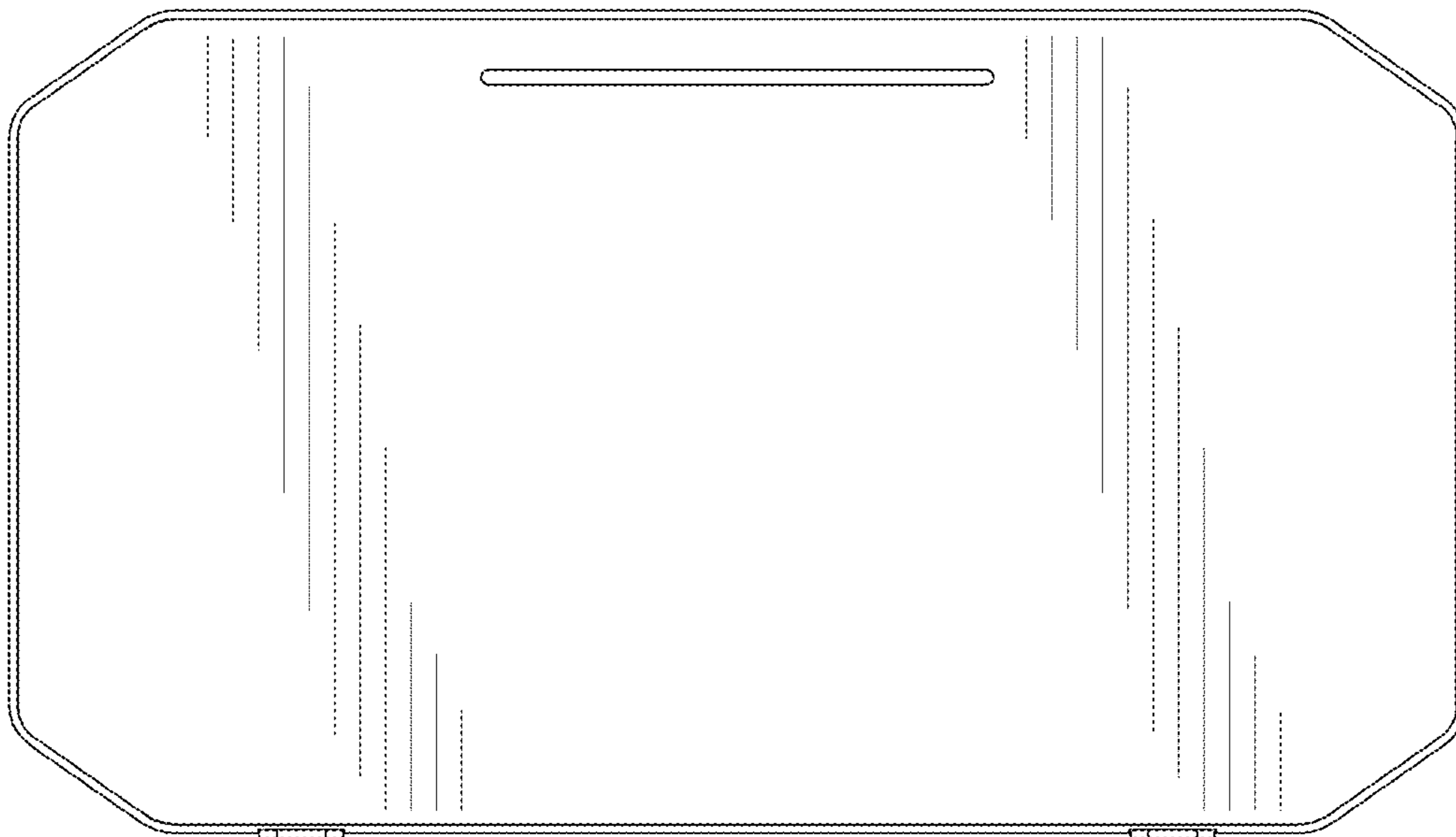


FIG.2

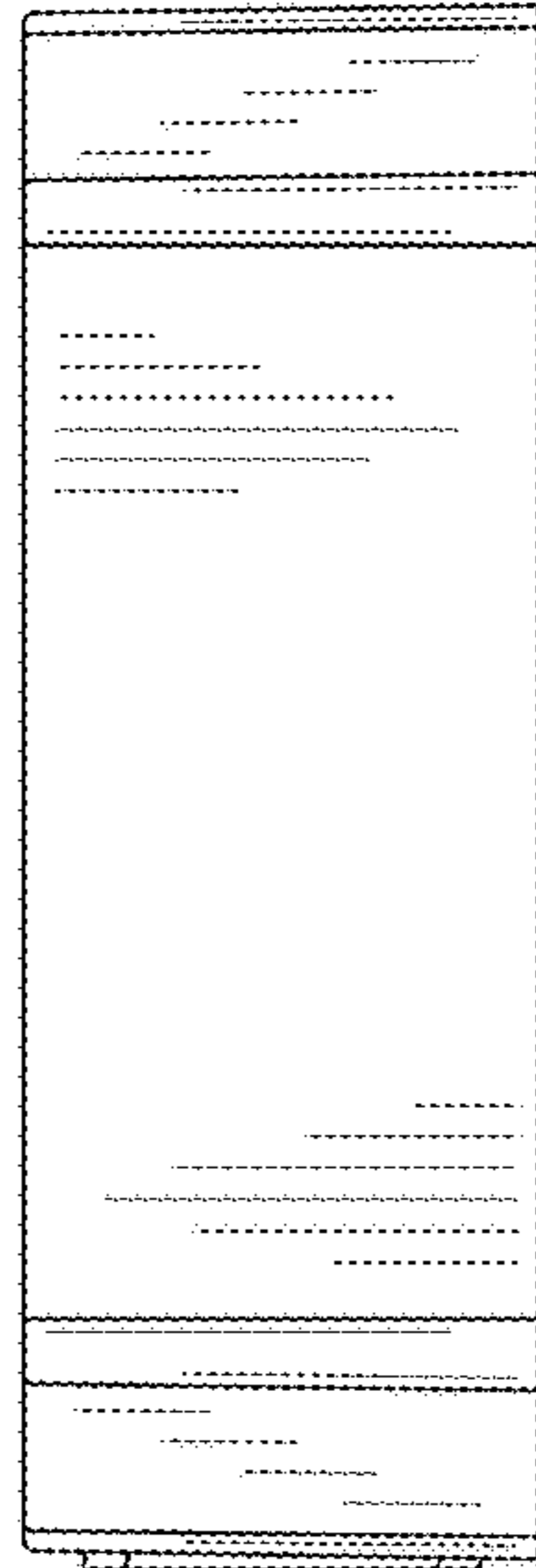


FIG. 3

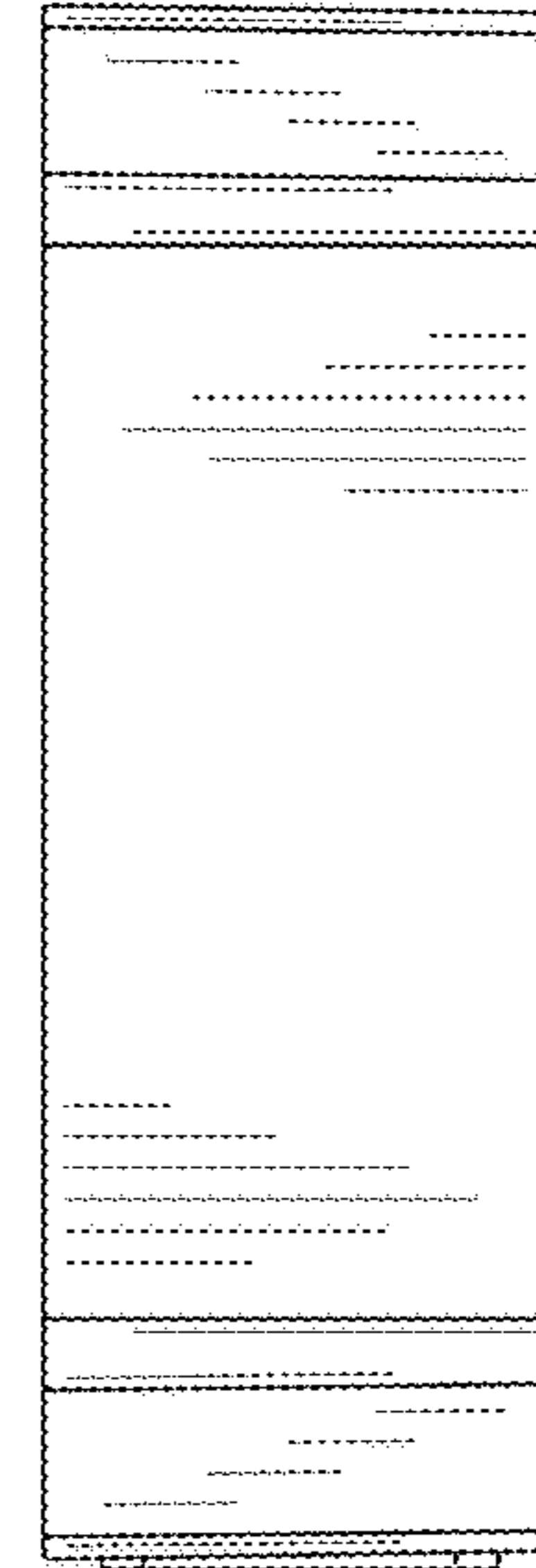


FIG. 4

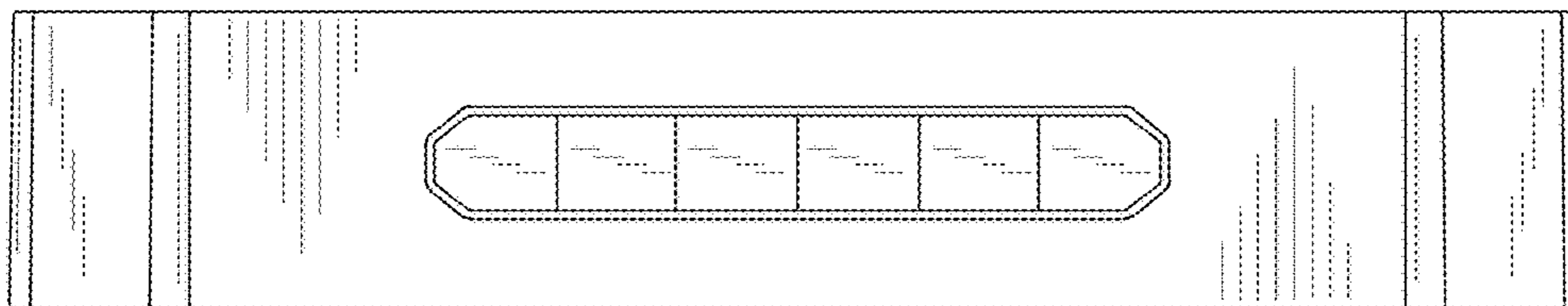


FIG. 5

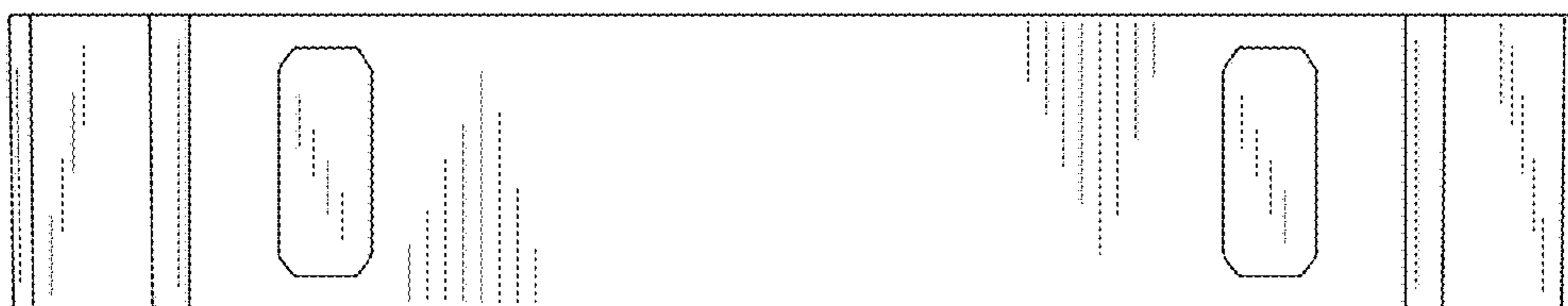


FIG. 6

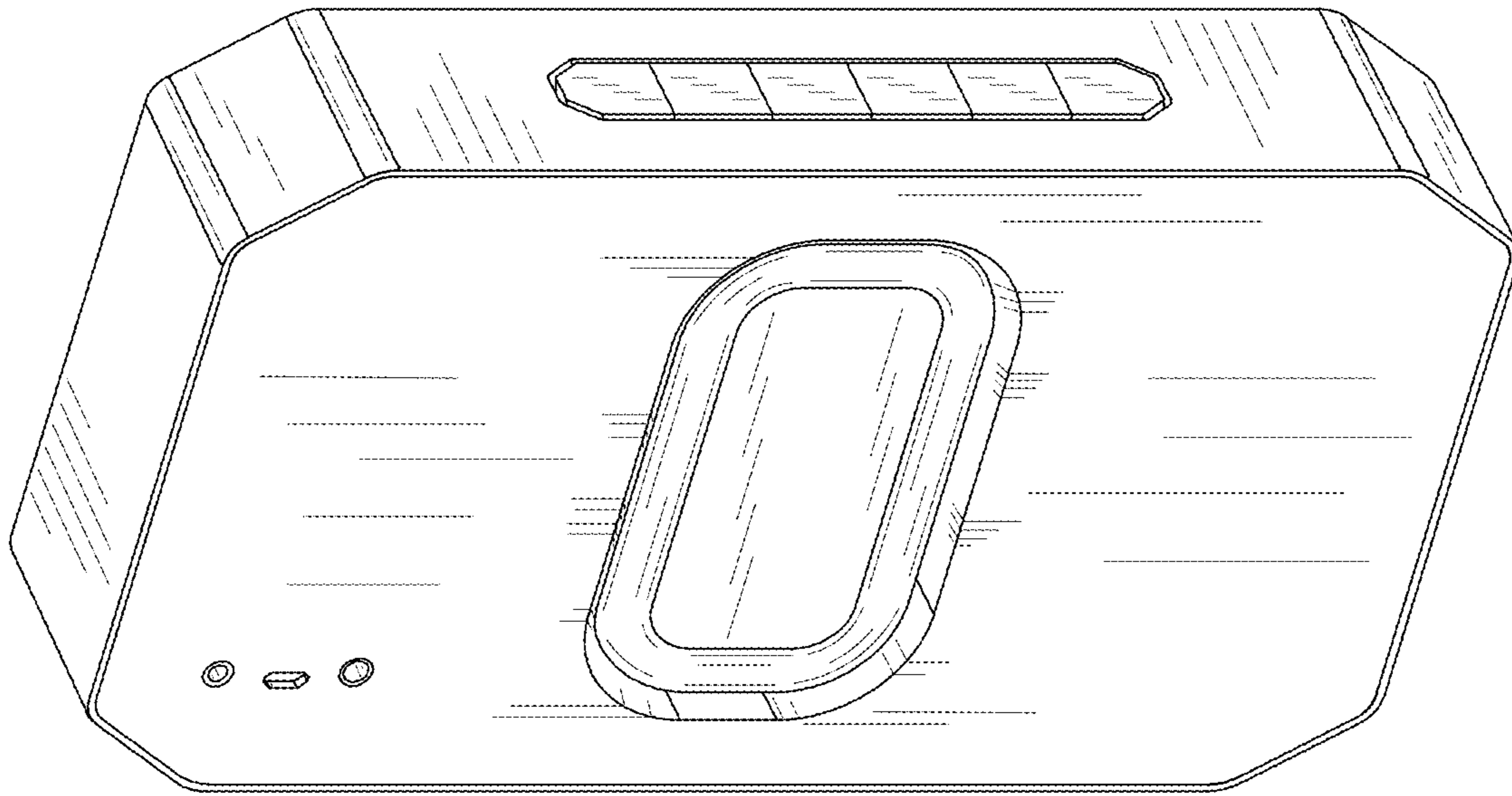


FIG. 7

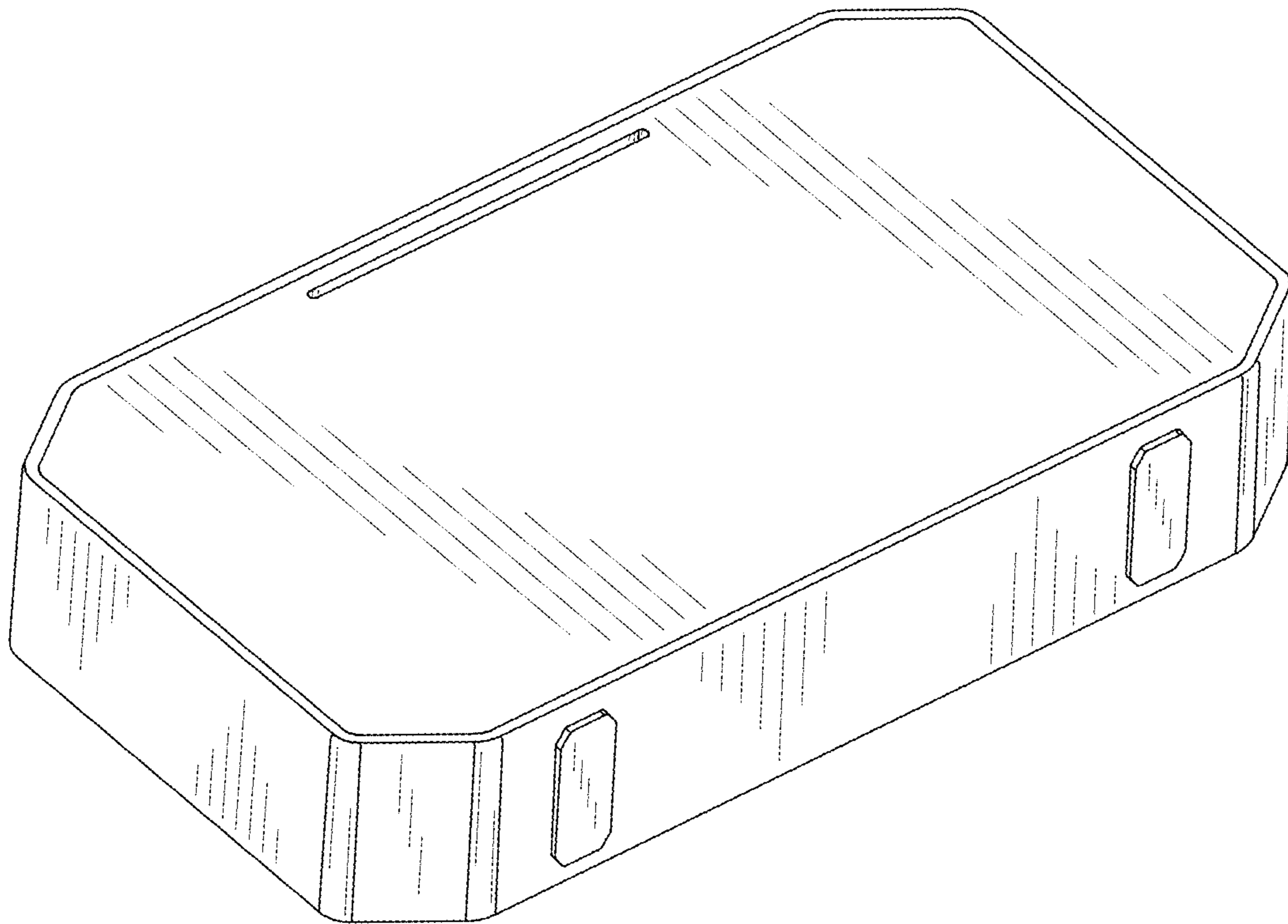


FIG. 8