



US00D819594S

(12) **United States Design Patent**
Hosoda et al.

(10) **Patent No.:** **US D819,594 S**
(45) **Date of Patent:** **** Jun. 5, 2018**

(54) **EARPHONE**

DESCRIPTION

(71) Applicant: **Sony Corporation**, Tokyo (JP)

(72) Inventors: **Yasuhide Hosoda**, Kanagawa (JP);
Satoshi Suzuki, Kanagawa (JP); **Go Igarashi**, Tokyo (JP)

(73) Assignee: **SONY CORPORATION**, Tokyo (JP)

(**) Term: **15 Years**

(21) Appl. No.: **29/558,350**

(22) Filed: **Mar. 16, 2016**

(30) **Foreign Application Priority Data**

Feb. 29, 2016 (JP) D2016-004475
Feb. 29, 2016 (JP) D2016-004476

(Continued)

(51) **LOC (11) Cl.** **14-01**

(52) **U.S. Cl.**
USPC **D14/205**

(58) **Field of Classification Search**
USPC D14/205, 223; D24/174; 181/129, 130,
181/135; 379/430, 431; 381/380, 381;
455/90.3, 575.1

(Continued)

(56) **References Cited**

U.S. PATENT DOCUMENTS

2,481,387 A * 9/1949 Bonecutter H04M 1/05
379/446
2,545,731 A * 3/1951 French H04R 25/604
181/135

(Continued)

Primary Examiner — Paula Allen Greene

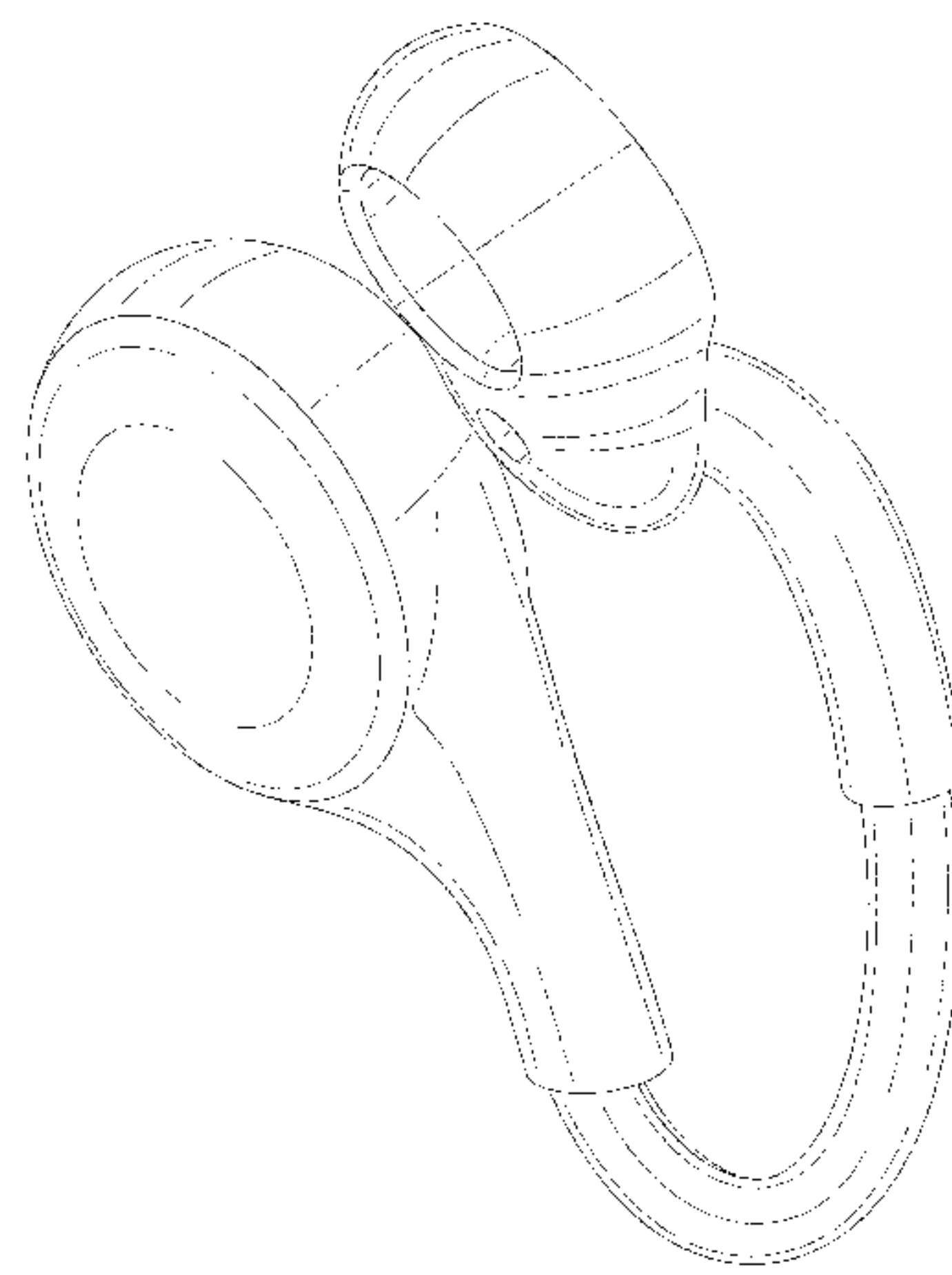
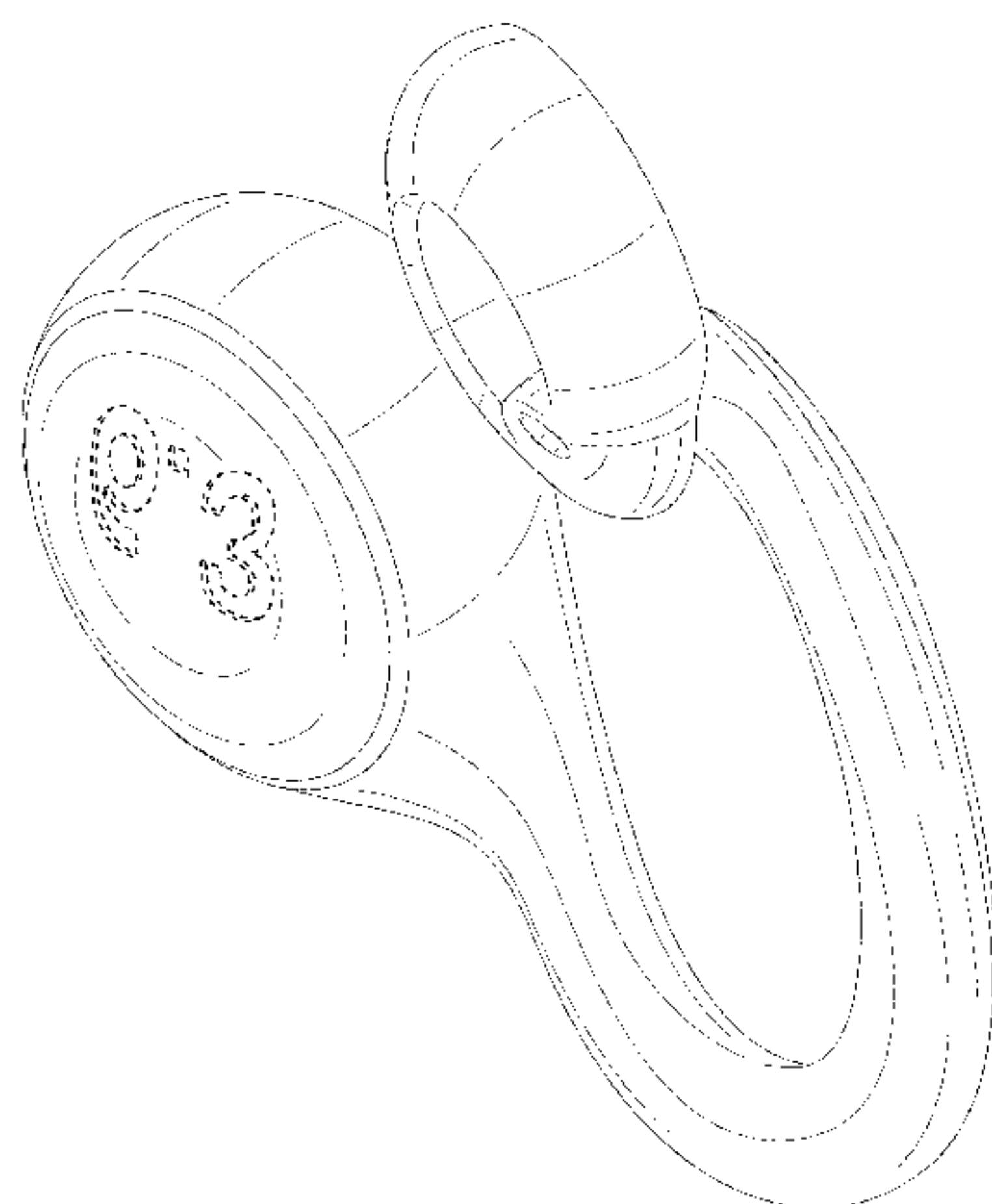
(74) *Attorney, Agent, or Firm* — Michael Best and Friedrich LLP

(57) **CLAIM**

The ornamental design for an earphone, as shown.

FIG. 1 is a front, top, right perspective view of a first embodiment of an earphone showing my new design; FIG. 2 is a rear, top, right perspective view thereof; FIG. 3 is a front elevational view thereof; FIG. 4 is a rear elevational view thereof; FIG. 5 is a left side elevational view thereof; FIG. 6 is a right side elevational view thereof; FIG. 7 is a top plan view thereof; and FIG. 8 is a bottom plan view thereof. FIG. 9 is a front, top, right perspective view of a second embodiment of an earphone showing my new design; FIG. 10 is a rear, top, right perspective view thereof; FIG. 11 is a front elevational view thereof; FIG. 12 is a rear elevational view thereof; FIG. 13 is a left side elevational view thereof; FIG. 14 is a right side elevational view thereof; FIG. 15 is a top plan view thereof; and FIG. 16 is a bottom plan view thereof. FIG. 17 is a front, top, right perspective view of a third embodiment of an earphone showing my new design; FIG. 18 is a rear, top, right perspective view thereof; FIG. 19 is a front elevational view thereof; FIG. 20 is a rear elevational view thereof; FIG. 21 is a left side elevational view thereof; FIG. 22 is a right side elevational view thereof; FIG. 23 is a top plan view thereof; and FIG. 24 is a bottom plan view thereof. FIG. 25 is a front, top, right perspective view of a fourth embodiment of an earphone showing my new design; FIG. 26 is a rear, top, right perspective view thereof; FIG. 27 is a front elevational view thereof; FIG. 28 is a rear elevational view thereof; FIG. 29 is a left side elevational view thereof; FIG. 30 is a right side elevational view thereof; FIG. 31 is a top plan view thereof; and FIG. 32 is a bottom plan view thereof. The broken lines illustrating unclaimed portions of the earphone form no part of the claimed design.

1 Claim, 32 Drawing Sheets



(30) Foreign Application Priority Data

Feb. 29, 2016 (JP) D2016-004477
 Feb. 29, 2016 (JP) D2016-004478
 Feb. 29, 2016 (JP) D2016-004479
 Feb. 29, 2016 (JP) D2016-004480
 Feb. 29, 2016 (JP) D2016-004481
 Feb. 29, 2016 (JP) D2016-004482
 Feb. 29, 2016 (JP) D2016-004483
 Feb. 29, 2016 (JP) D2016-004484
 Feb. 29, 2016 (JP) D2016-004485

6,418,230 B1 * 7/2002 McDonald H04R 1/10
 379/426
 6,463,157 B1 * 10/2002 May H04R 1/083
 310/324
 D470,129 S * 2/2003 Hlas D14/205
 D470,833 S * 2/2003 Rath D14/205
 D472,890 S 4/2003 Suzuki
 D482,022 S 11/2003 Nakano
 D504,672 S 5/2005 Hirano
 D504,883 S * 5/2005 Jacobson D14/192
 D515,069 S 2/2006 Naito
 7,139,404 B2 * 11/2006 Feeley H04R 25/608
 381/322

(58) Field of Classification Search

CPC H04R 1/10; H04R 25/00; H04R 1/1066;
 H04R 1/1016; H04R 1/105; H04R 5/033;
 H04R 5/0335; H04R 1/02; H04R 1/00
 See application file for complete search history.

D561,739 S * 2/2008 Ikeda D14/206
 7,346,180 B2 * 3/2008 Ham H04R 1/105
 381/370
 D573,137 S * 7/2008 Polito D14/223
 D599,781 S * 9/2009 Lee D14/205
 7,720,244 B2 * 5/2010 Espersen H04R 25/656
 381/328

(56) References Cited

U.S. PATENT DOCUMENTS

2,573,132 A * 10/1951 French H04R 25/55
 181/135
 2,584,402 A * 2/1952 Volkmann H04R 25/556
 181/129
 2,738,850 A * 3/1956 Tooker H04R 25/60
 181/135
 2,930,856 A * 3/1960 Toht H04R 25/652
 381/322
 3,906,478 A * 9/1975 Smey B60K 28/06
 340/575
 4,048,453 A * 9/1977 Seidel H04M 1/05
 379/430
 D311,521 S * 10/1990 Jonsson D14/206
 D348,067 S * 6/1994 Lucey D14/223
 5,606,621 A * 2/1997 Reiter H04R 25/65
 381/328
 D419,564 S * 1/2000 McDonald D14/223
 6,386,314 B1 * 5/2002 Sheehan A61B 5/12
 181/129

D666,581 S * 9/2012 Perez D14/223
 D683,332 S * 5/2013 Lee D14/223
 D727,301 S * 4/2015 Smith D14/205
 D773,438 S * 12/2016 Walker D14/223
 D779,461 S * 2/2017 Smith D14/223
 D781,822 S * 3/2017 Morris D14/223
 2003/0002700 A1 * 1/2003 Fretz H04R 25/65
 381/330
 2004/0264720 A1 * 12/2004 Huang H04M 1/05
 381/315
 2005/0002539 A1 * 1/2005 Nielsen H04R 25/656
 381/312
 2008/0298626 A1 * 12/2008 Dean H04R 1/105
 381/381
 2009/0226024 A1 * 9/2009 Dean H04R 1/1016
 381/379
 2009/0285433 A1 * 11/2009 Yang H04R 1/1091
 381/370
 2013/0188803 A1 * 7/2013 Shaanan H04R 5/033
 381/74

* cited by examiner

FIG.1

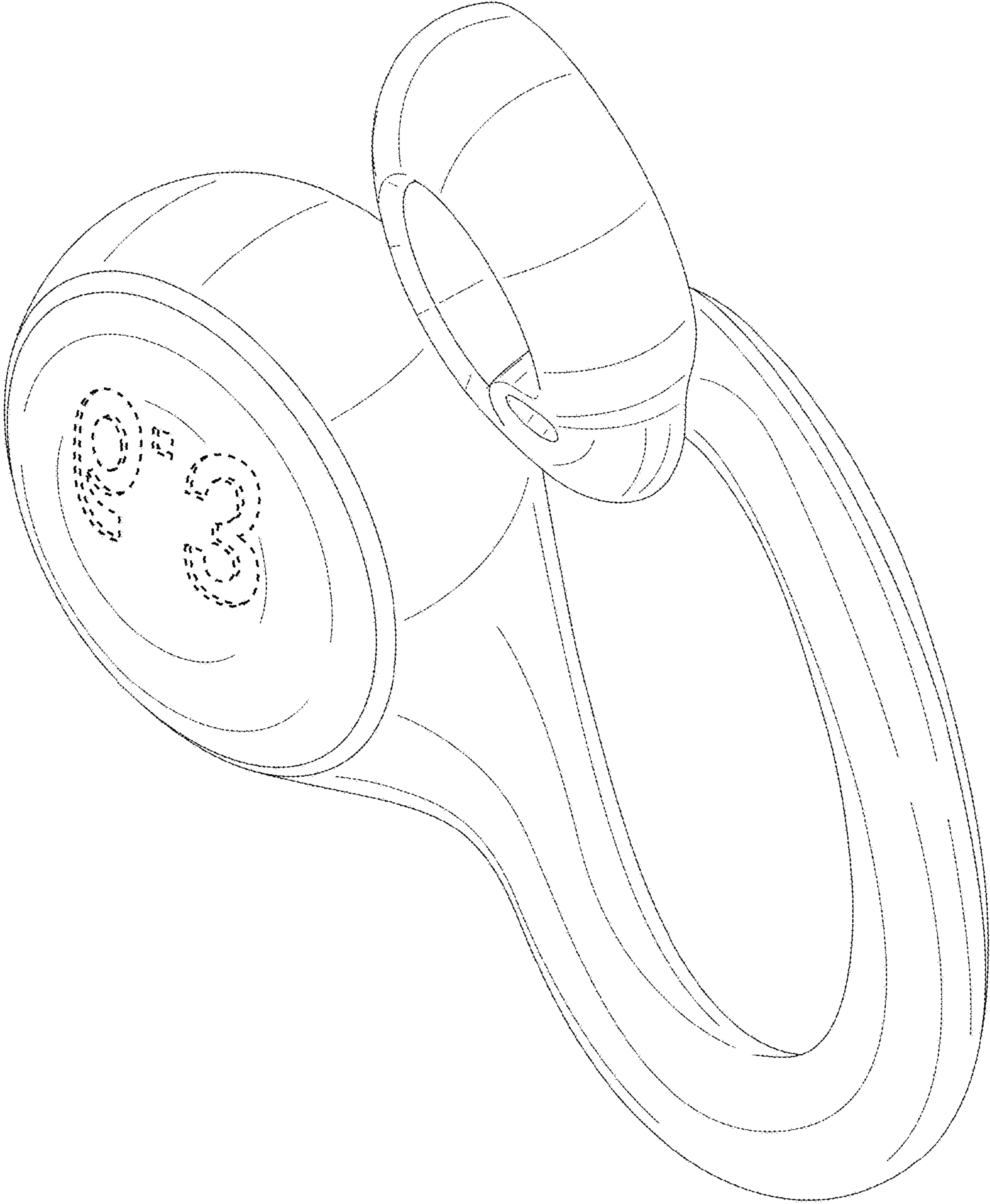


FIG.2

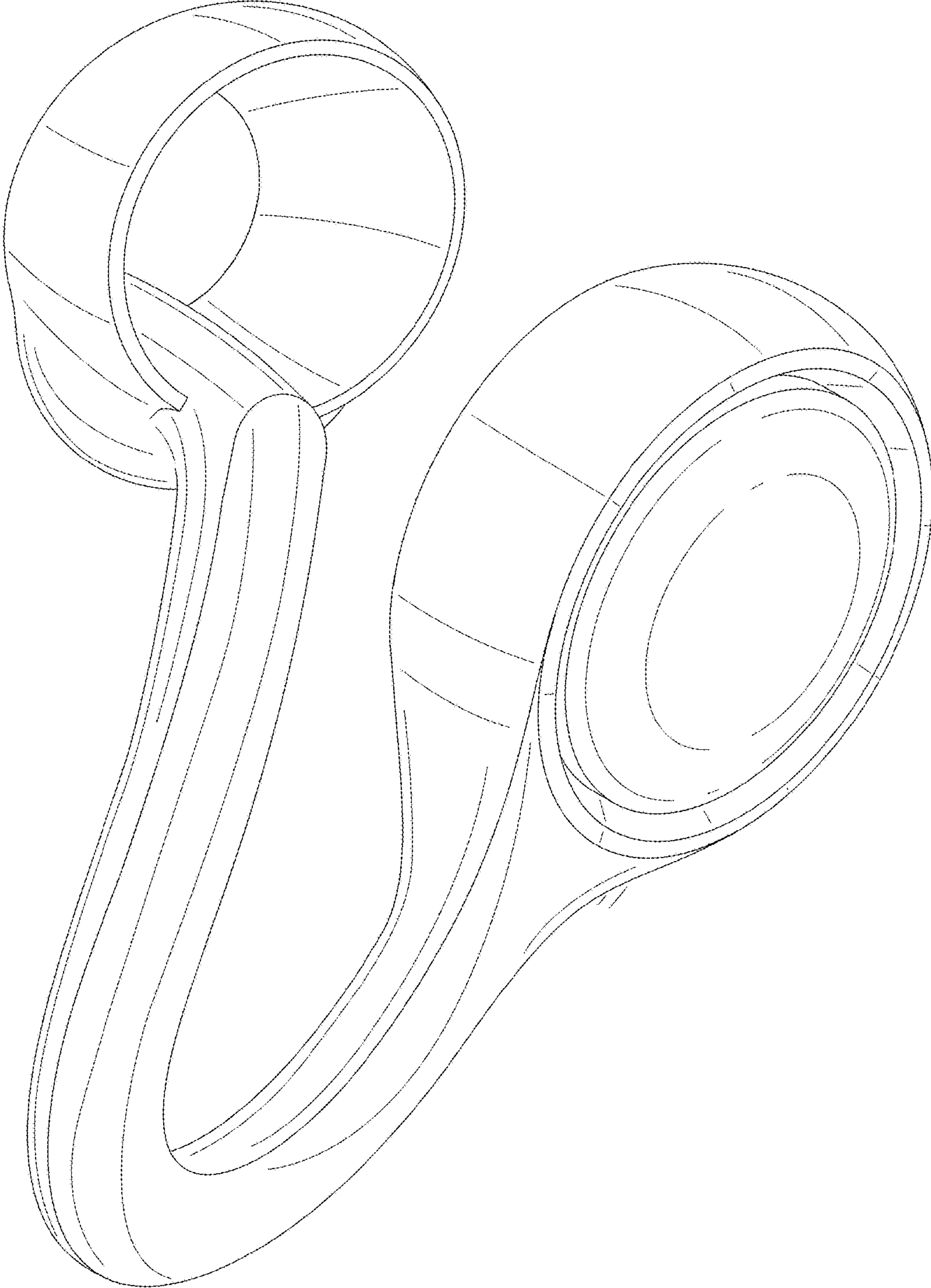


FIG.3

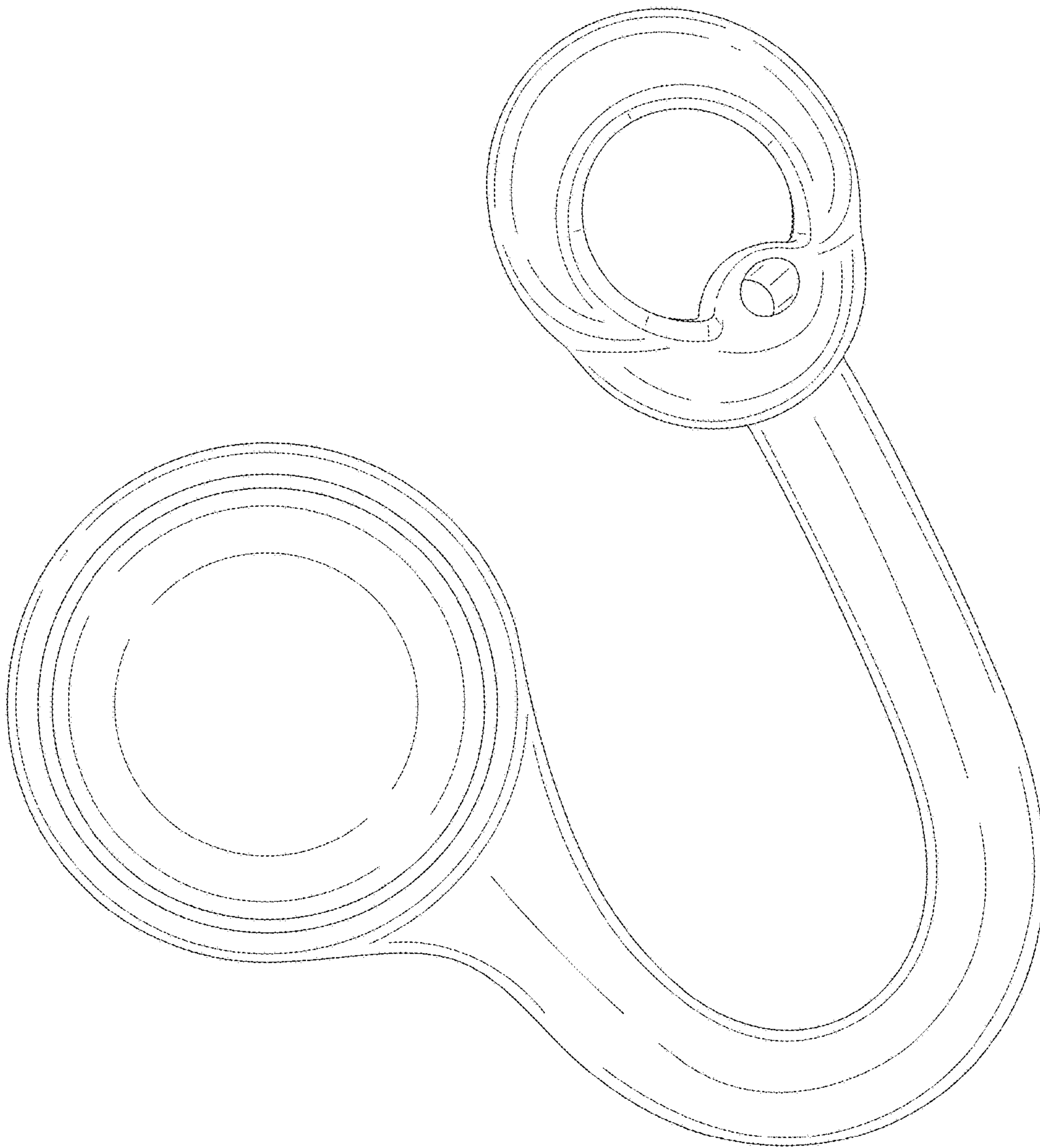


FIG.4

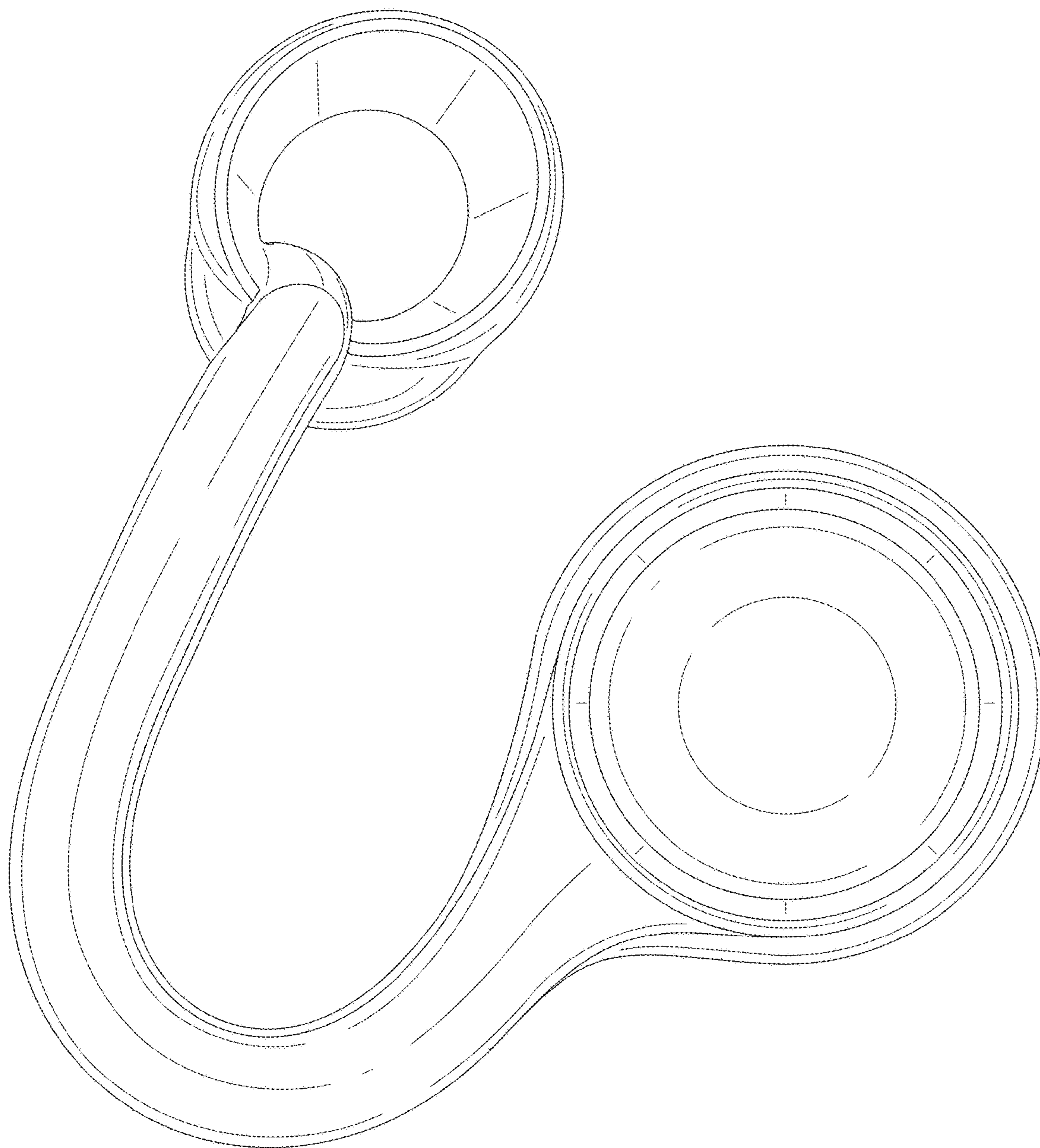


FIG.5

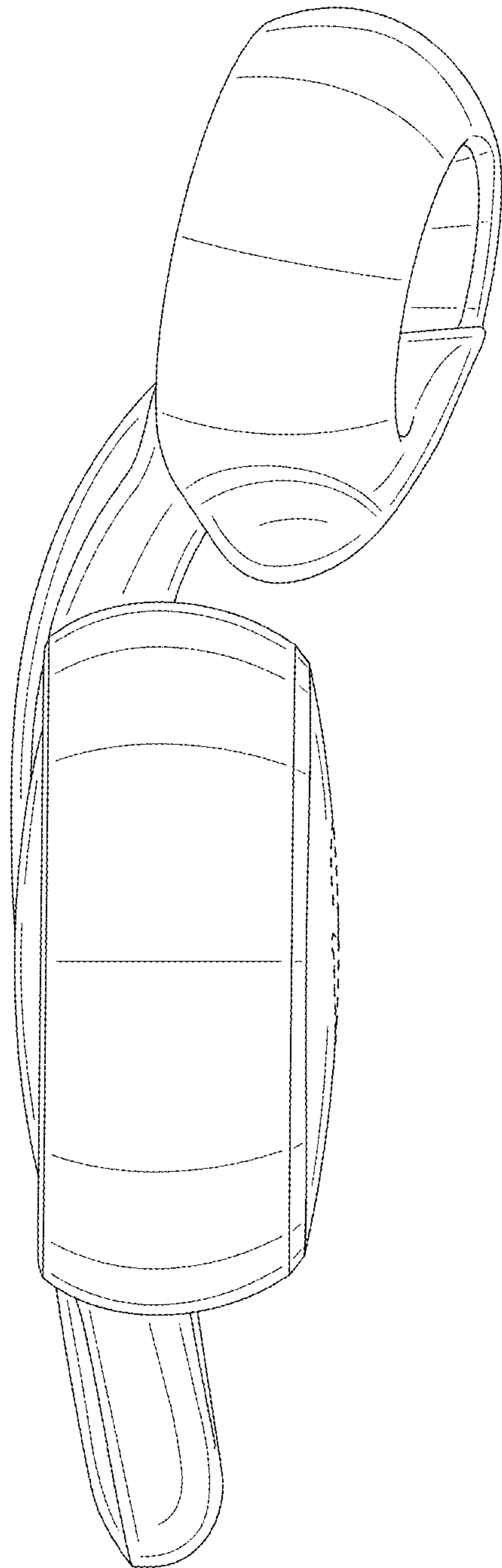


FIG.6

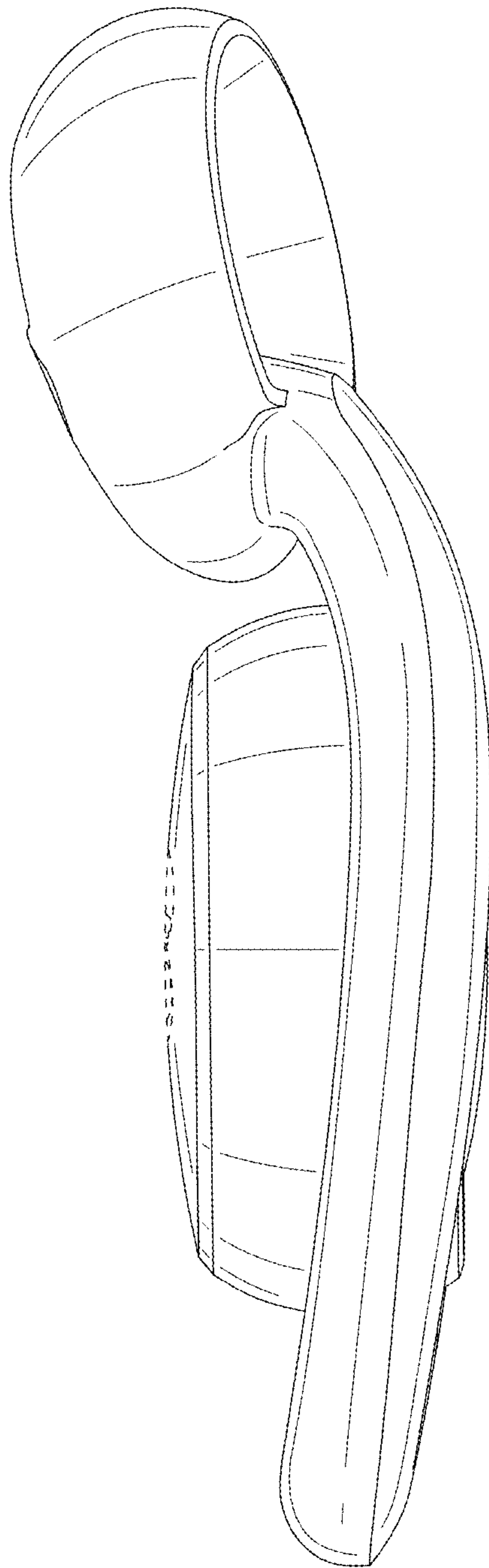


FIG.7

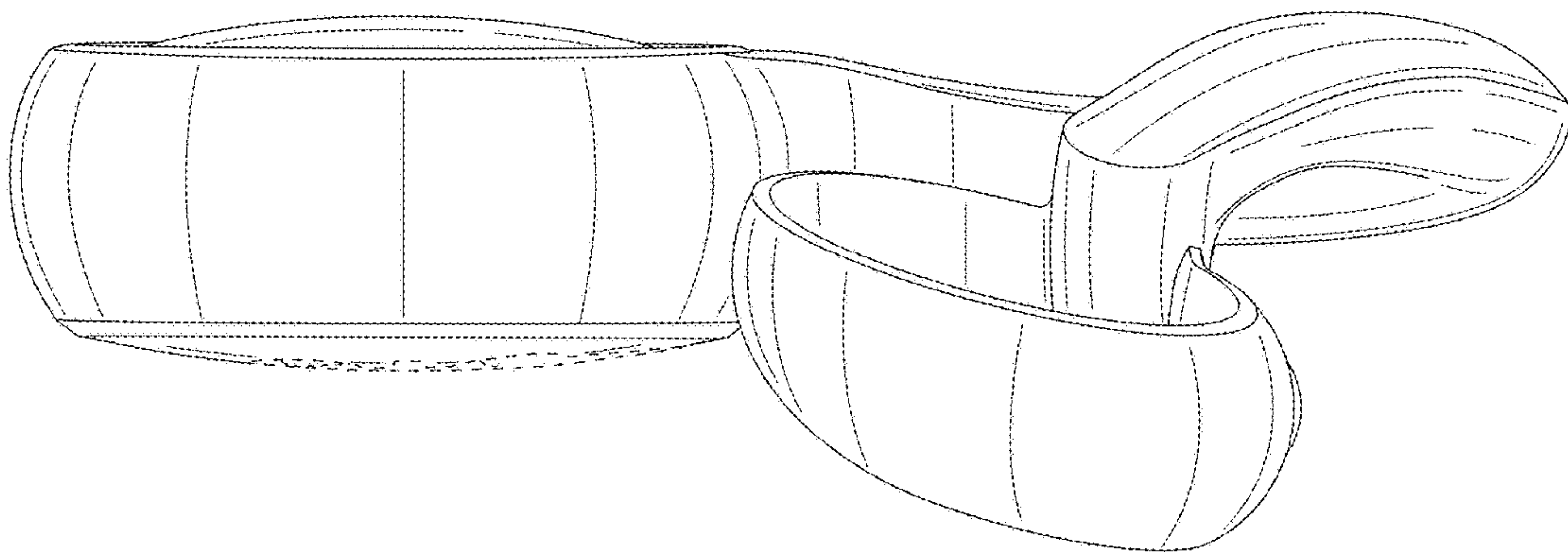


FIG.8

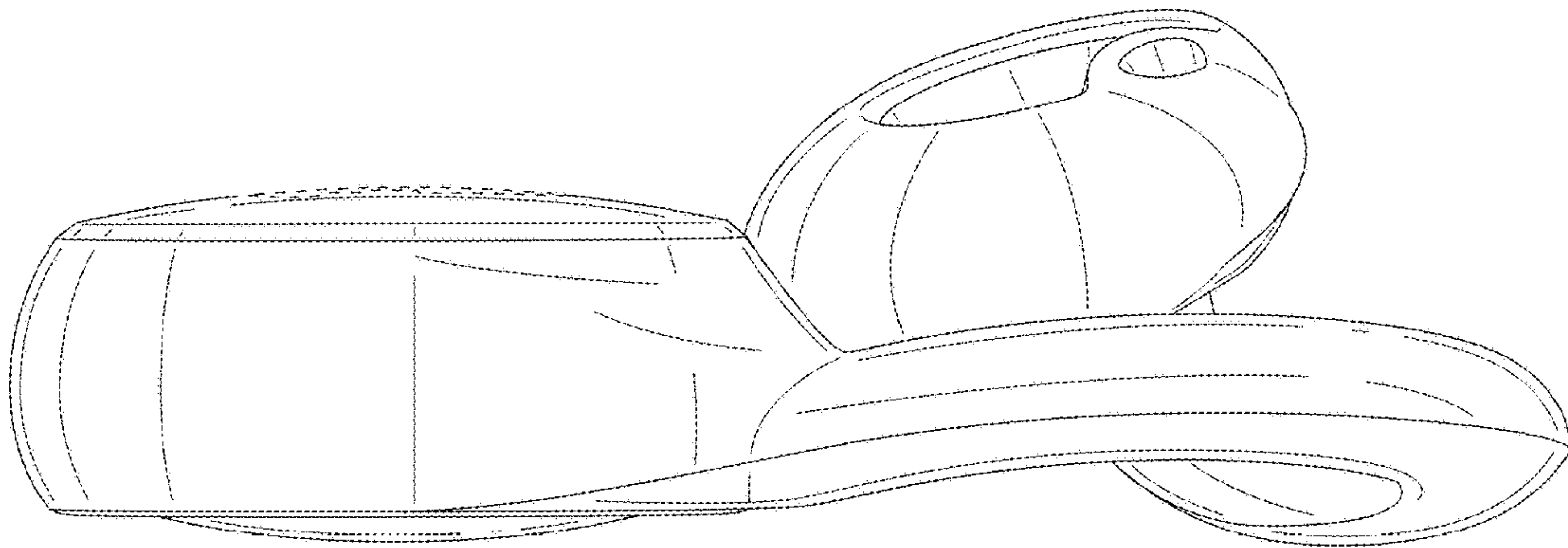


FIG.9

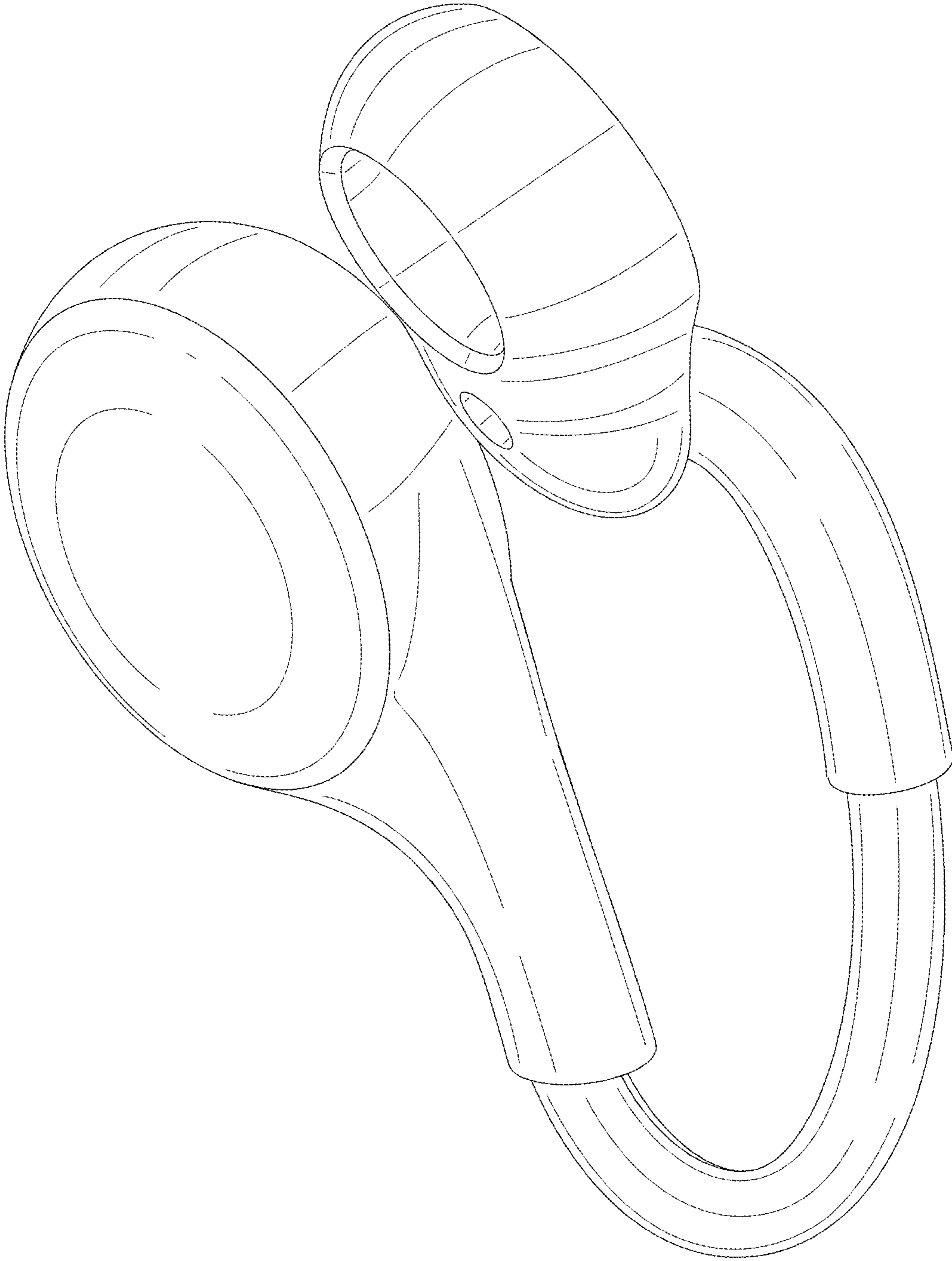


FIG.10

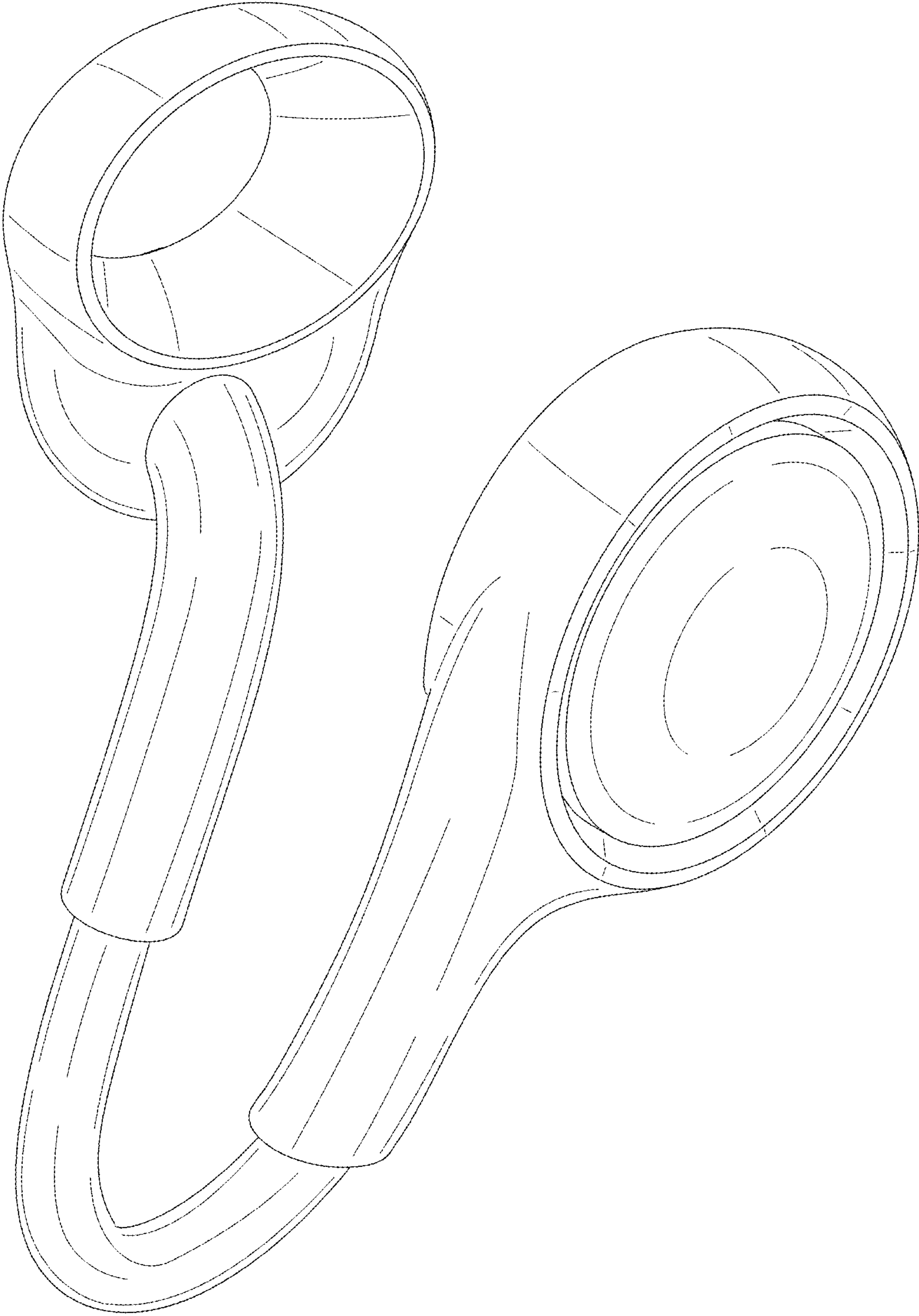


FIG.11

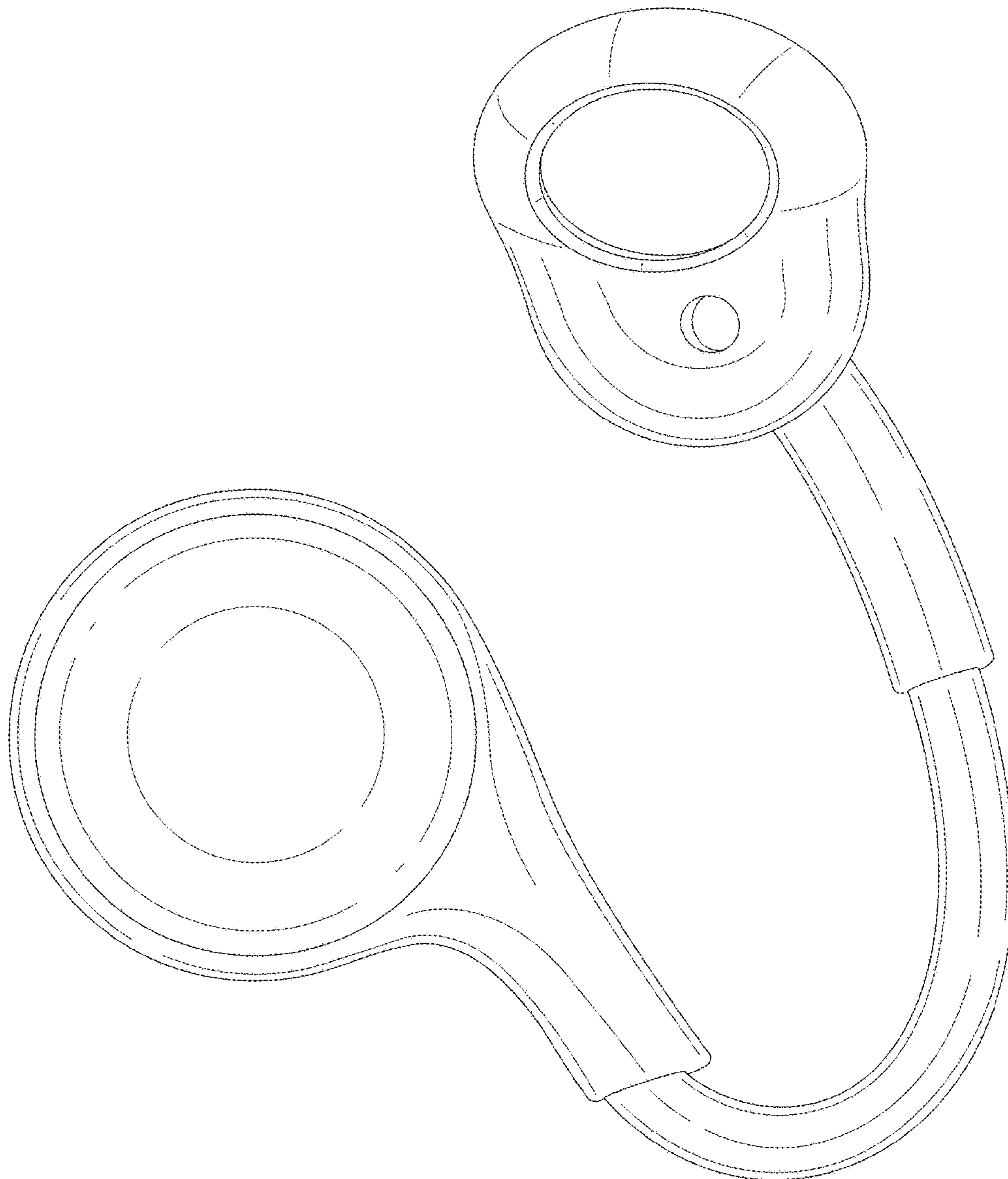


FIG.12

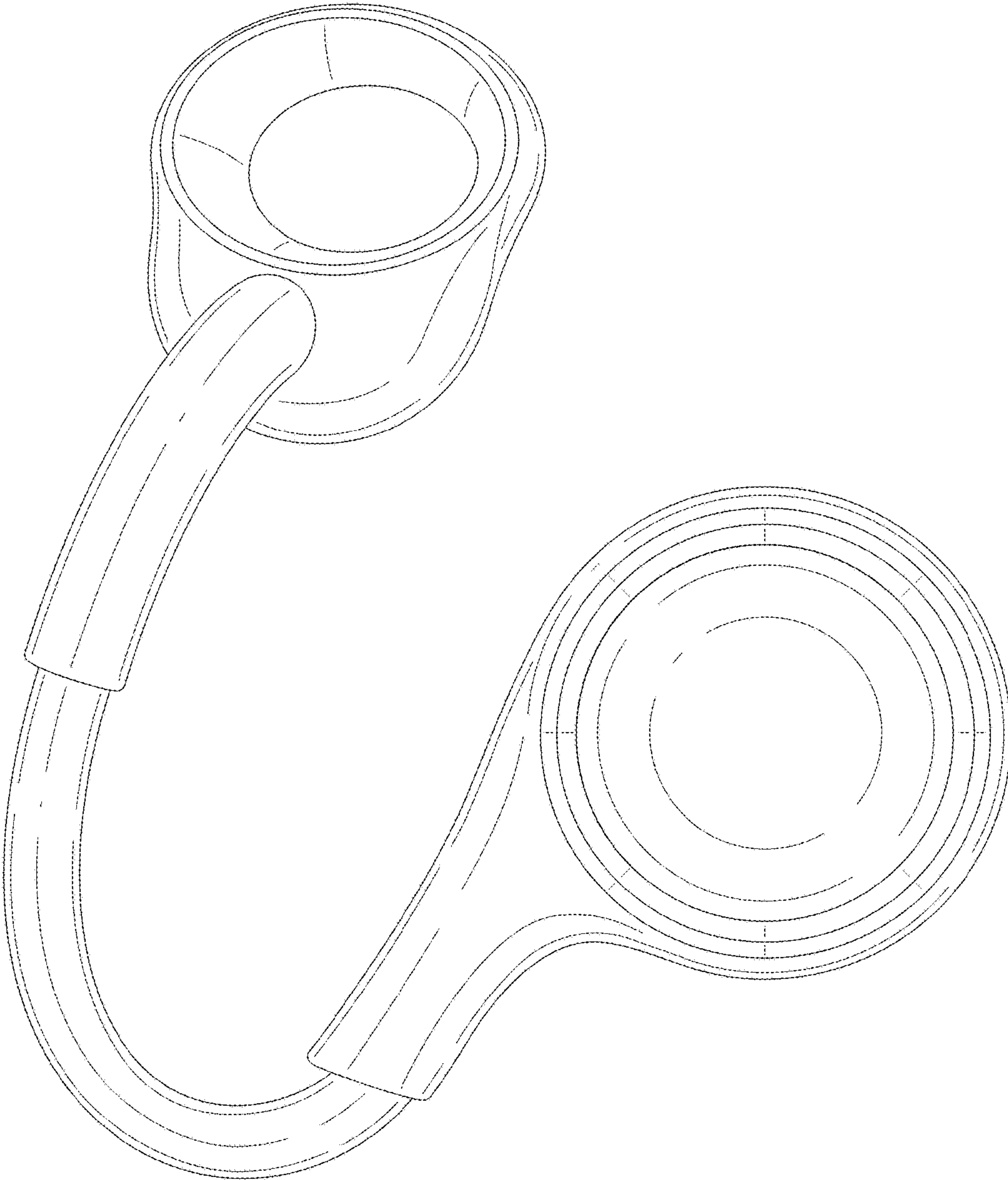


FIG.13

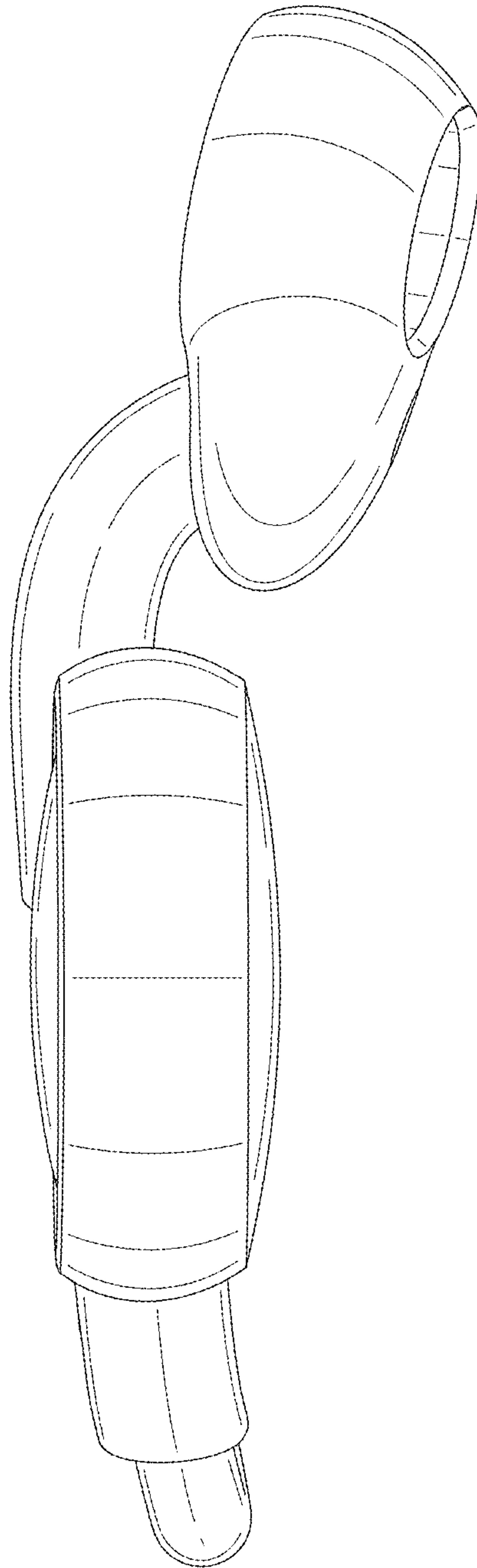


FIG.14

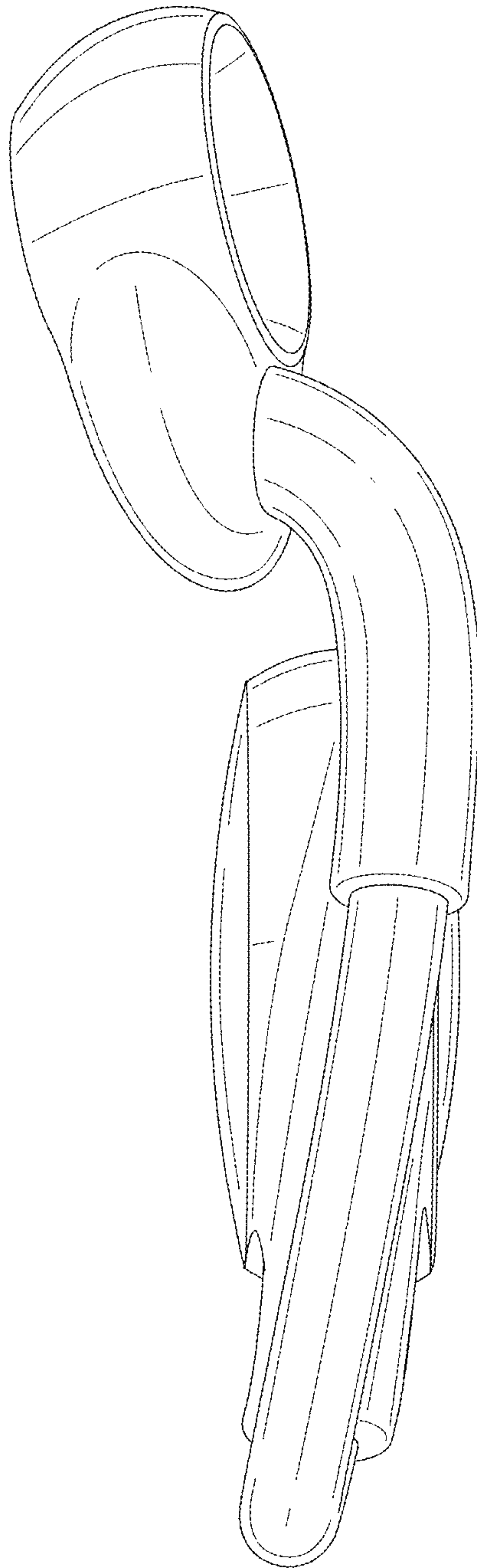


FIG.15

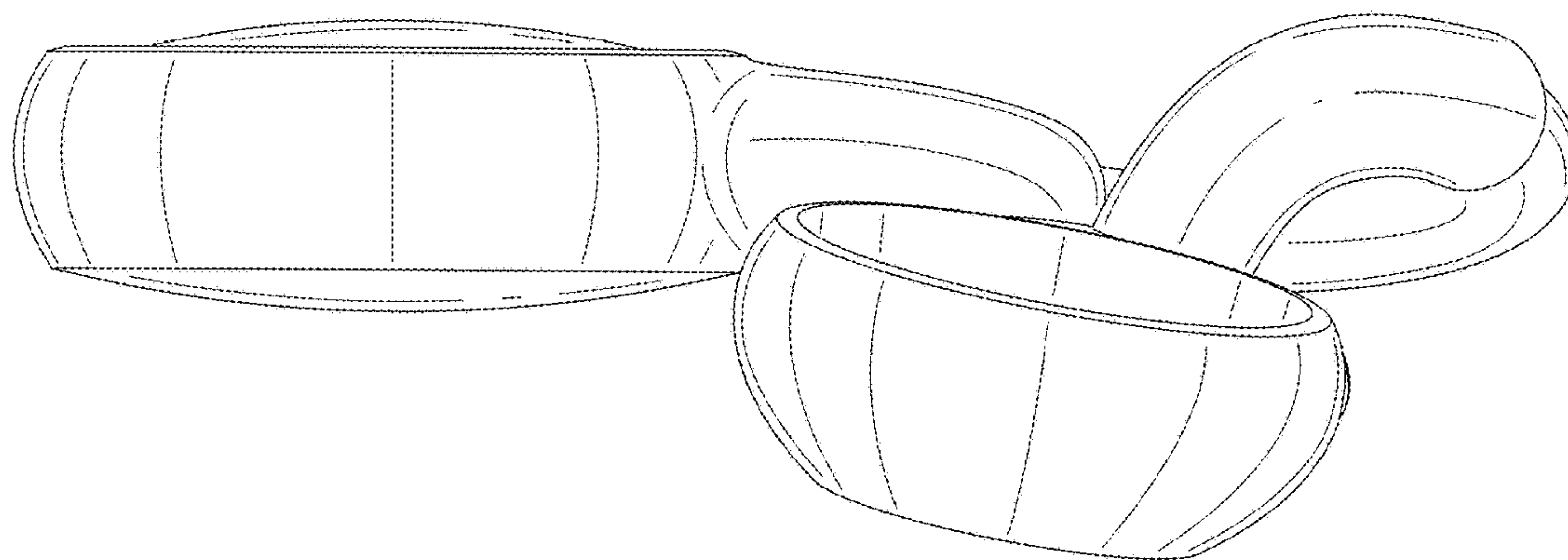


FIG.16

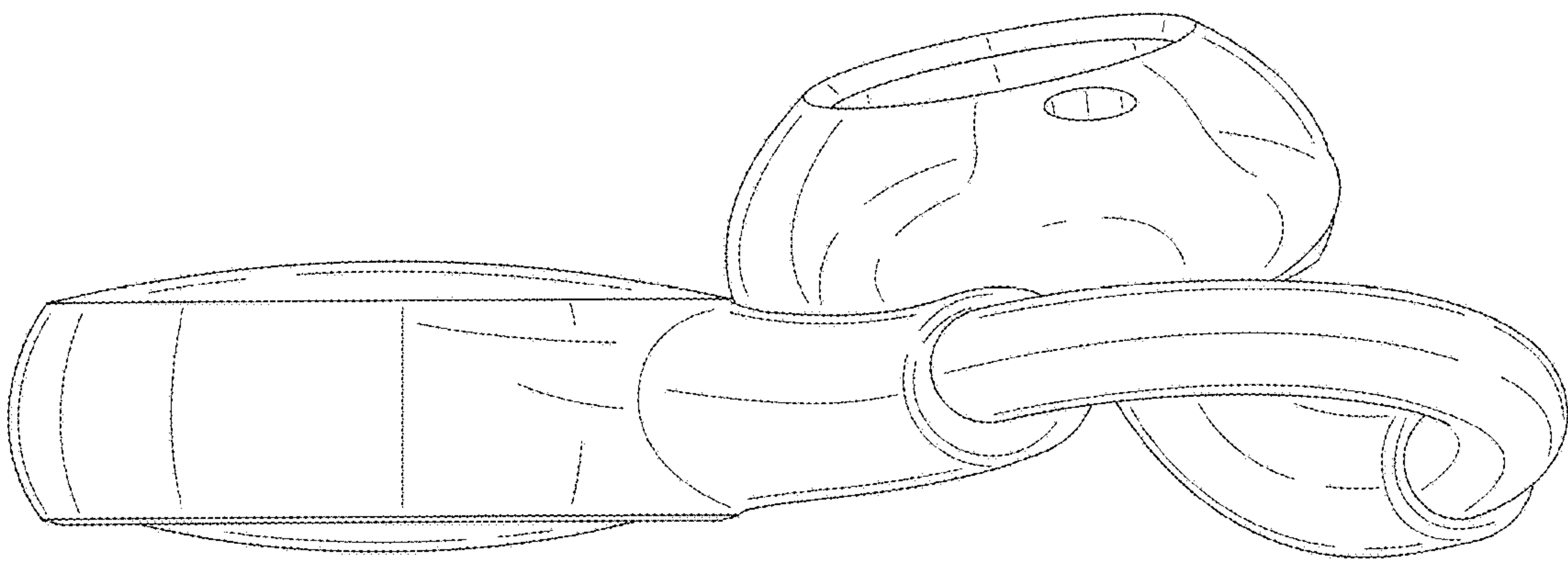


FIG.17



FIG.18

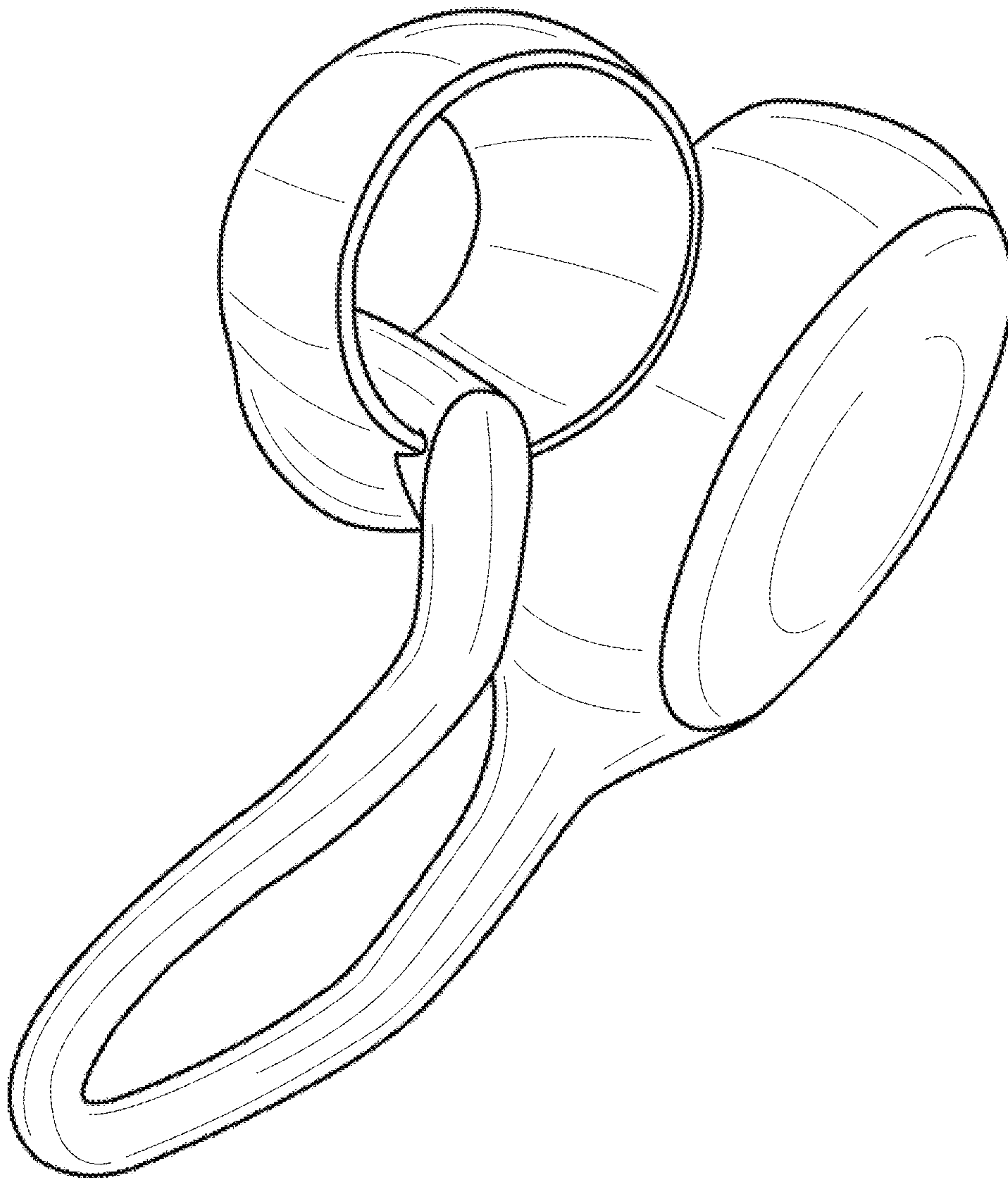


FIG.19

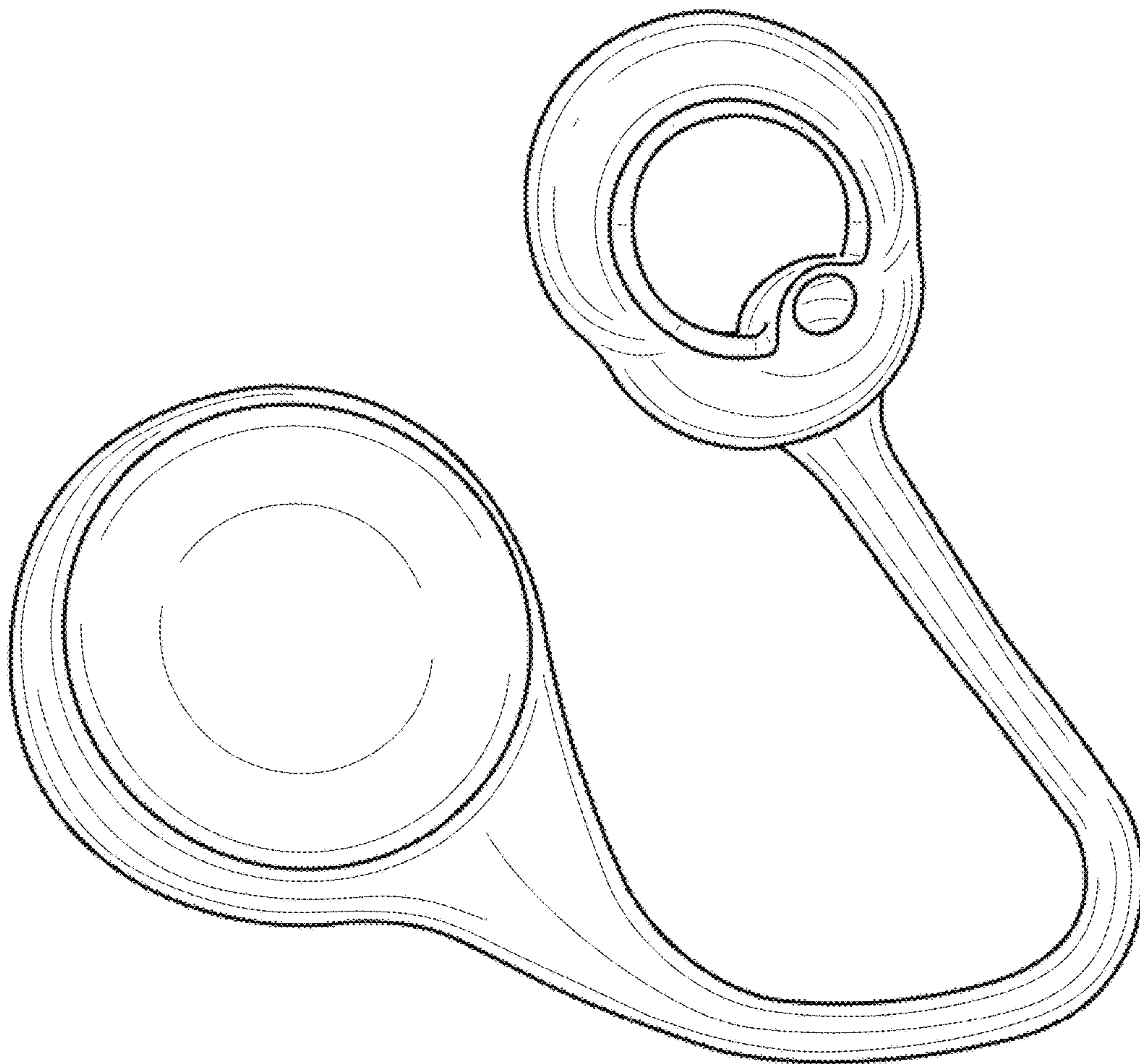


FIG.20

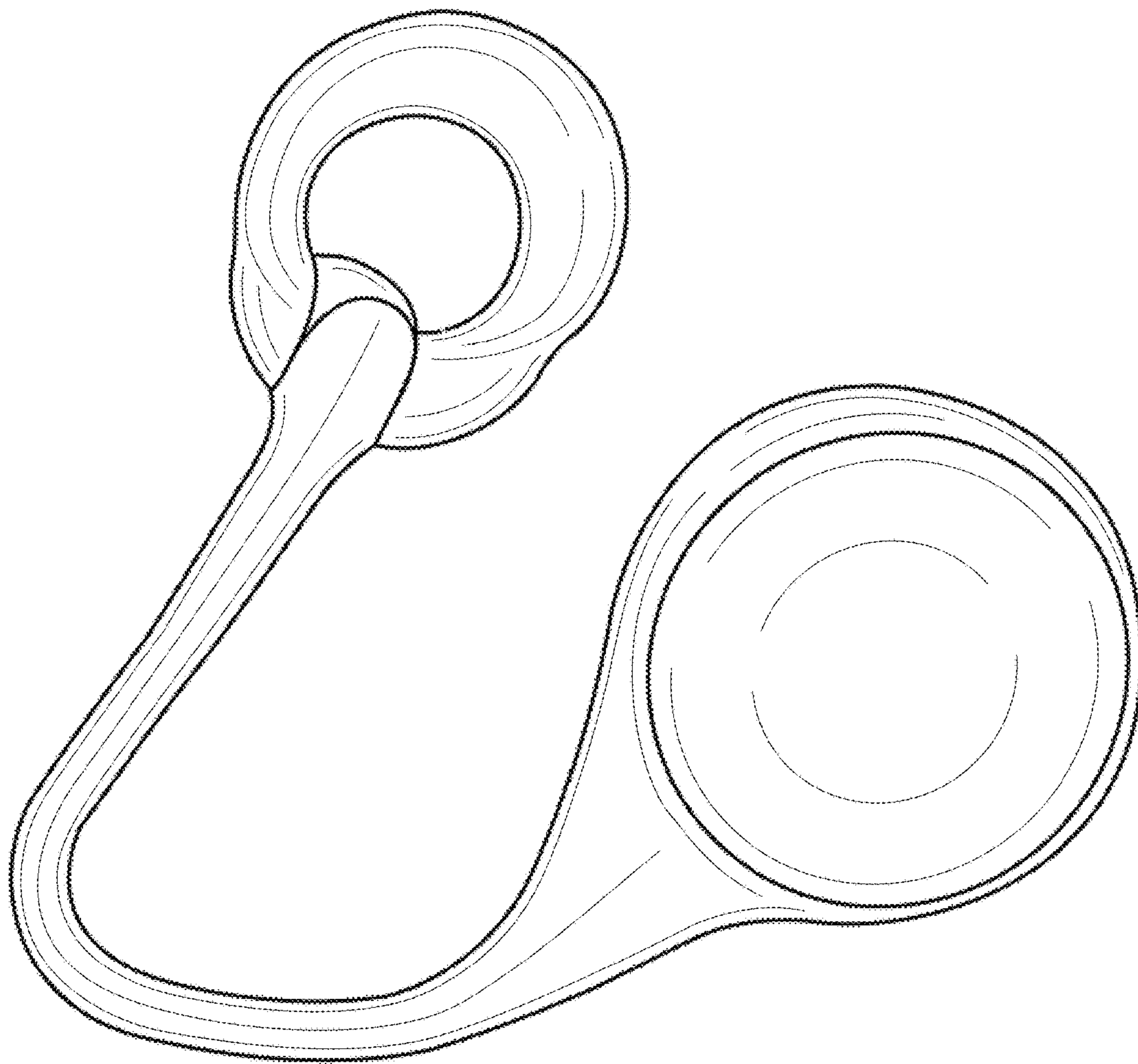


FIG.21

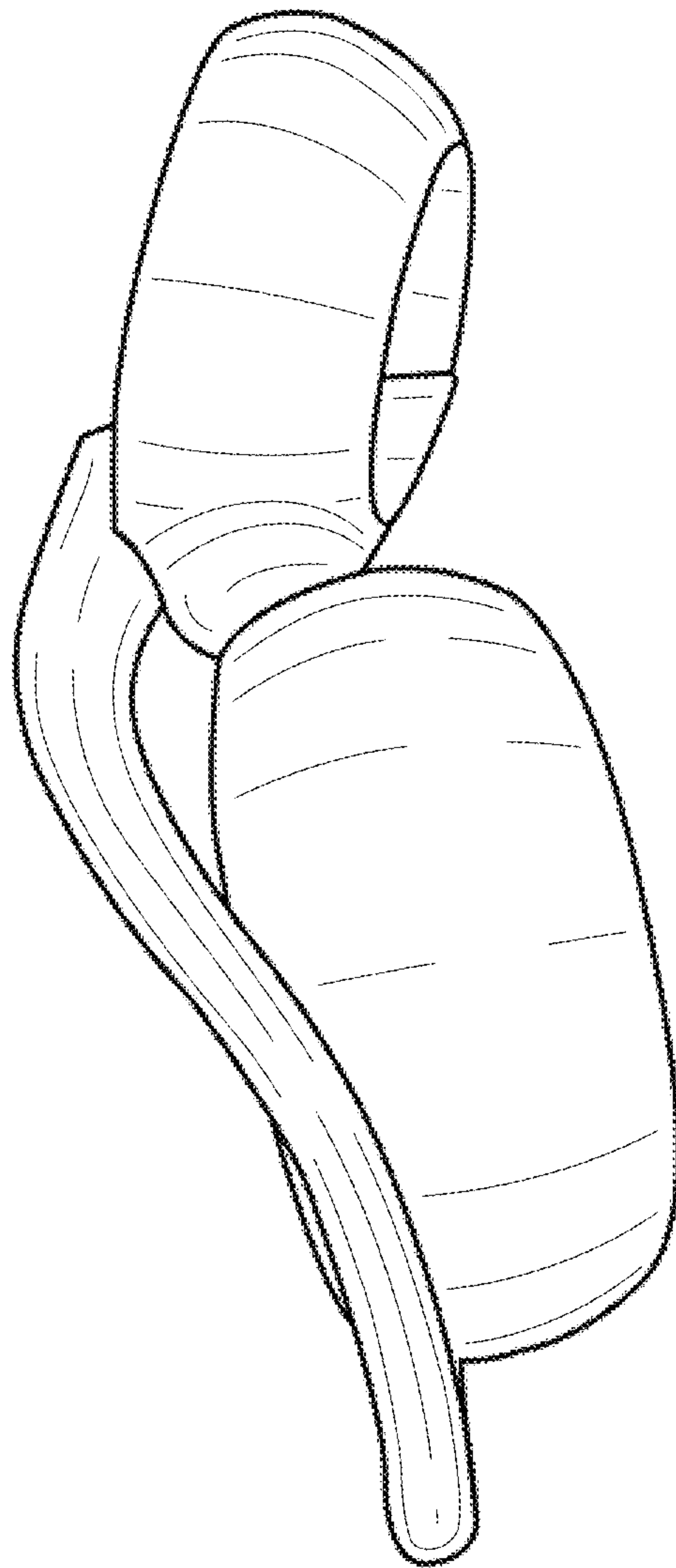


FIG.22

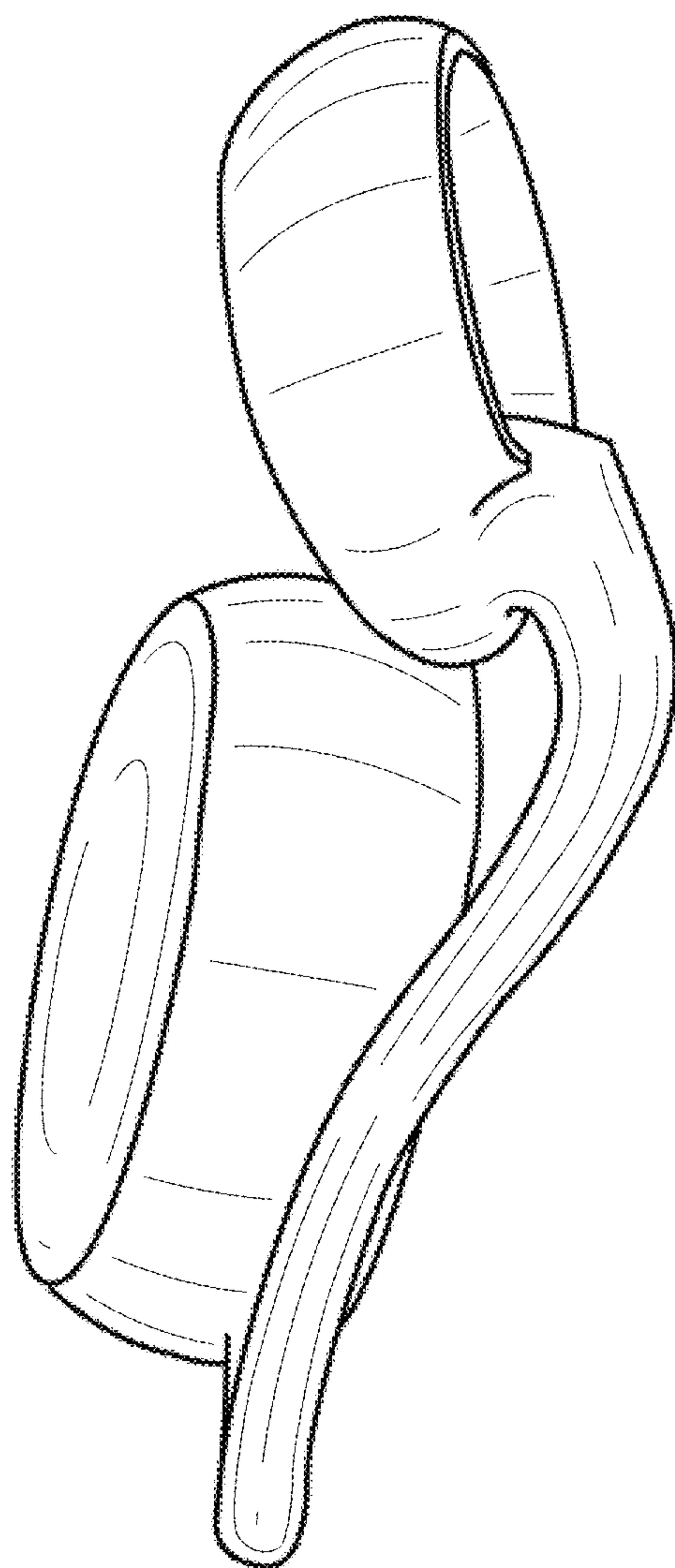


FIG.23

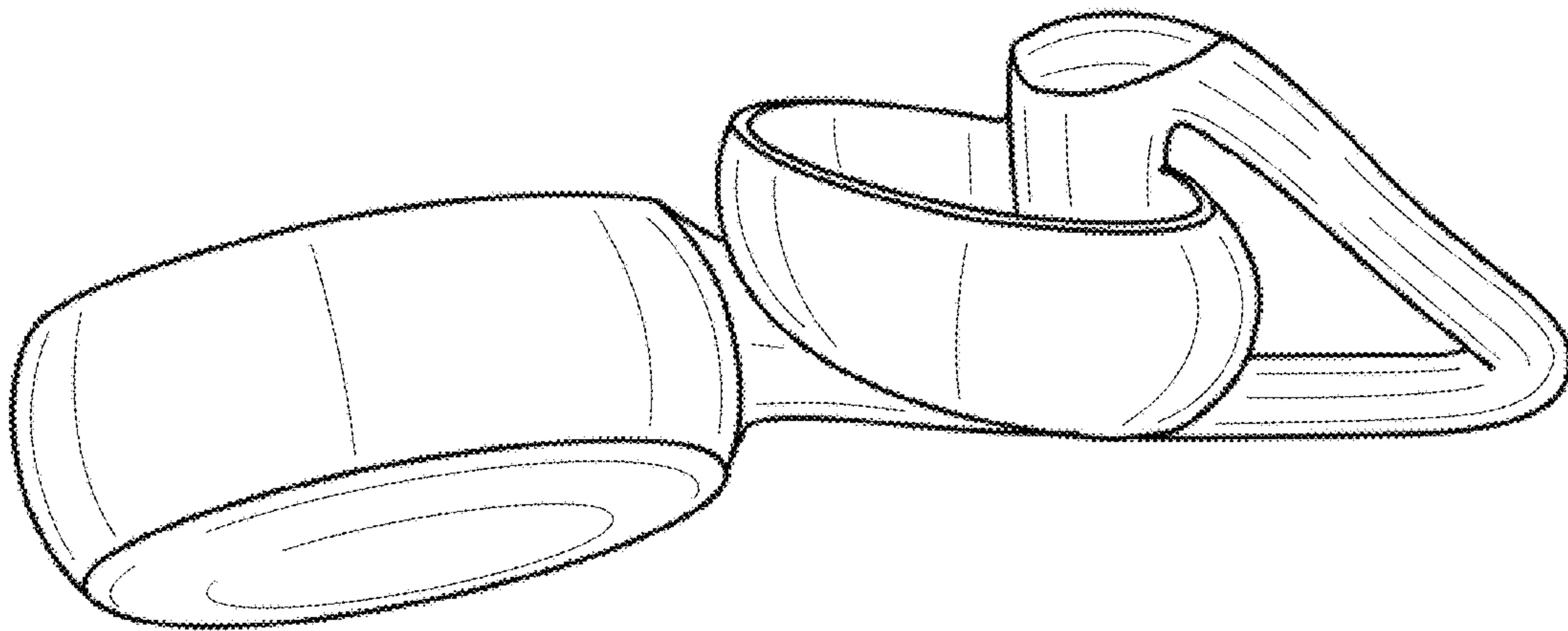


FIG.24

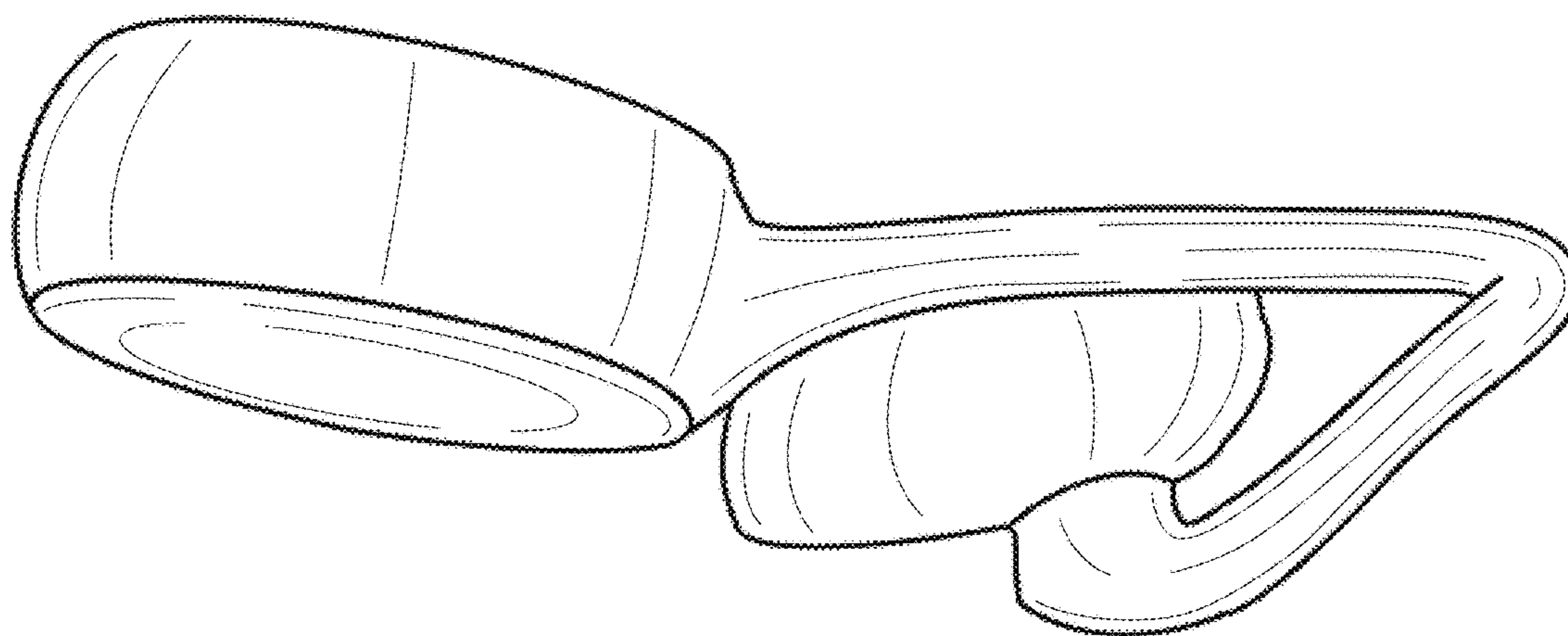


FIG.25

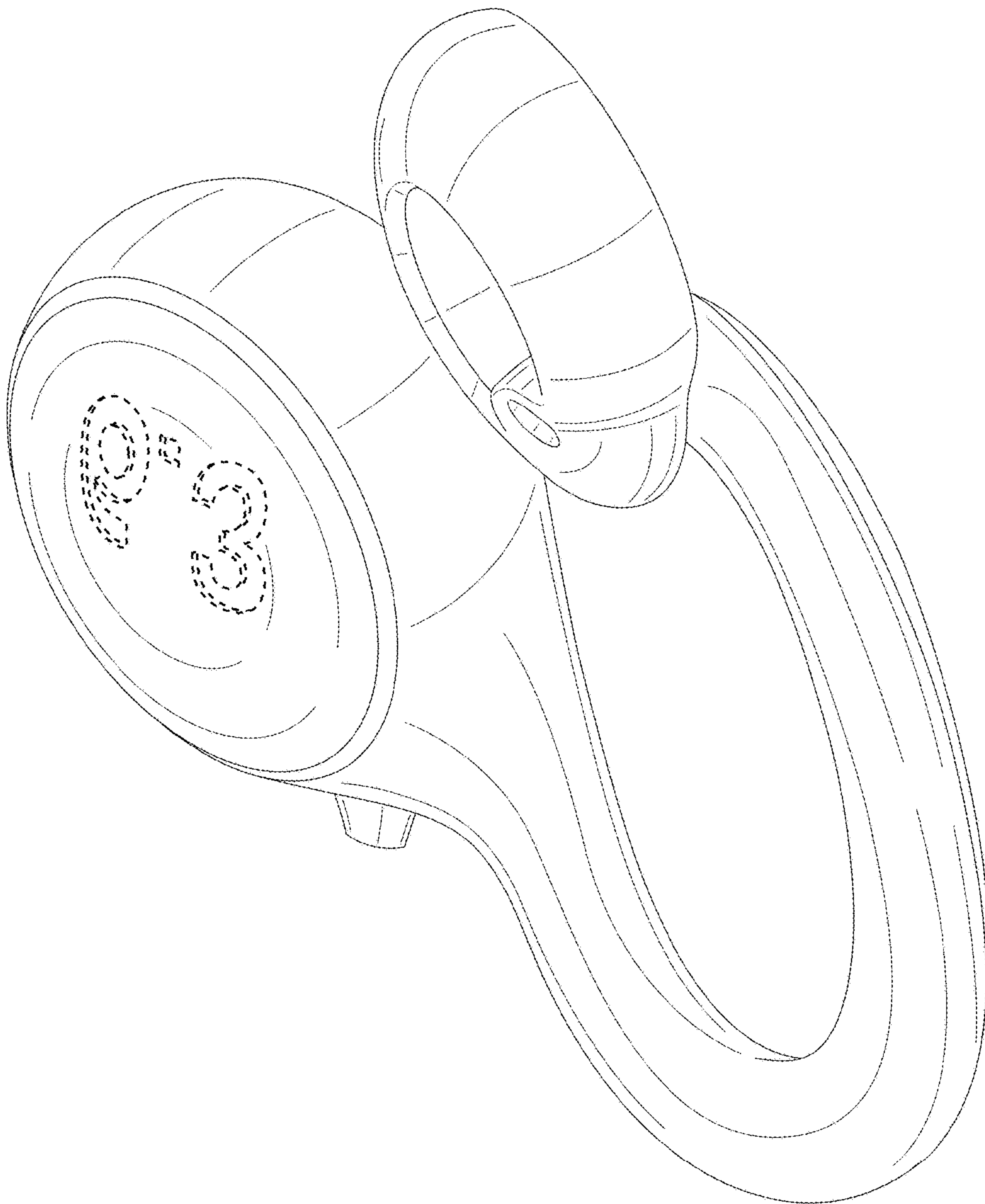


FIG.26

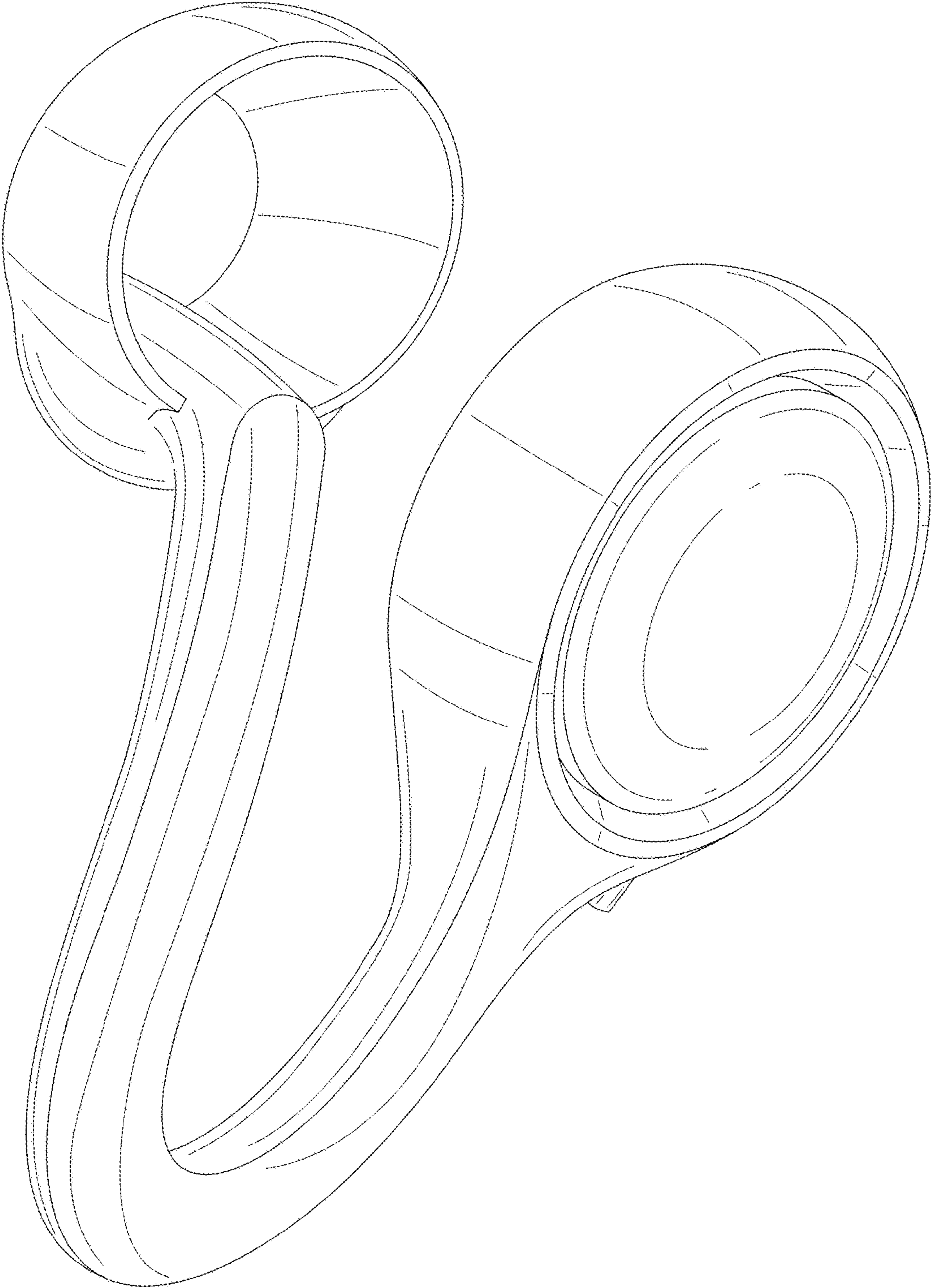


FIG.27

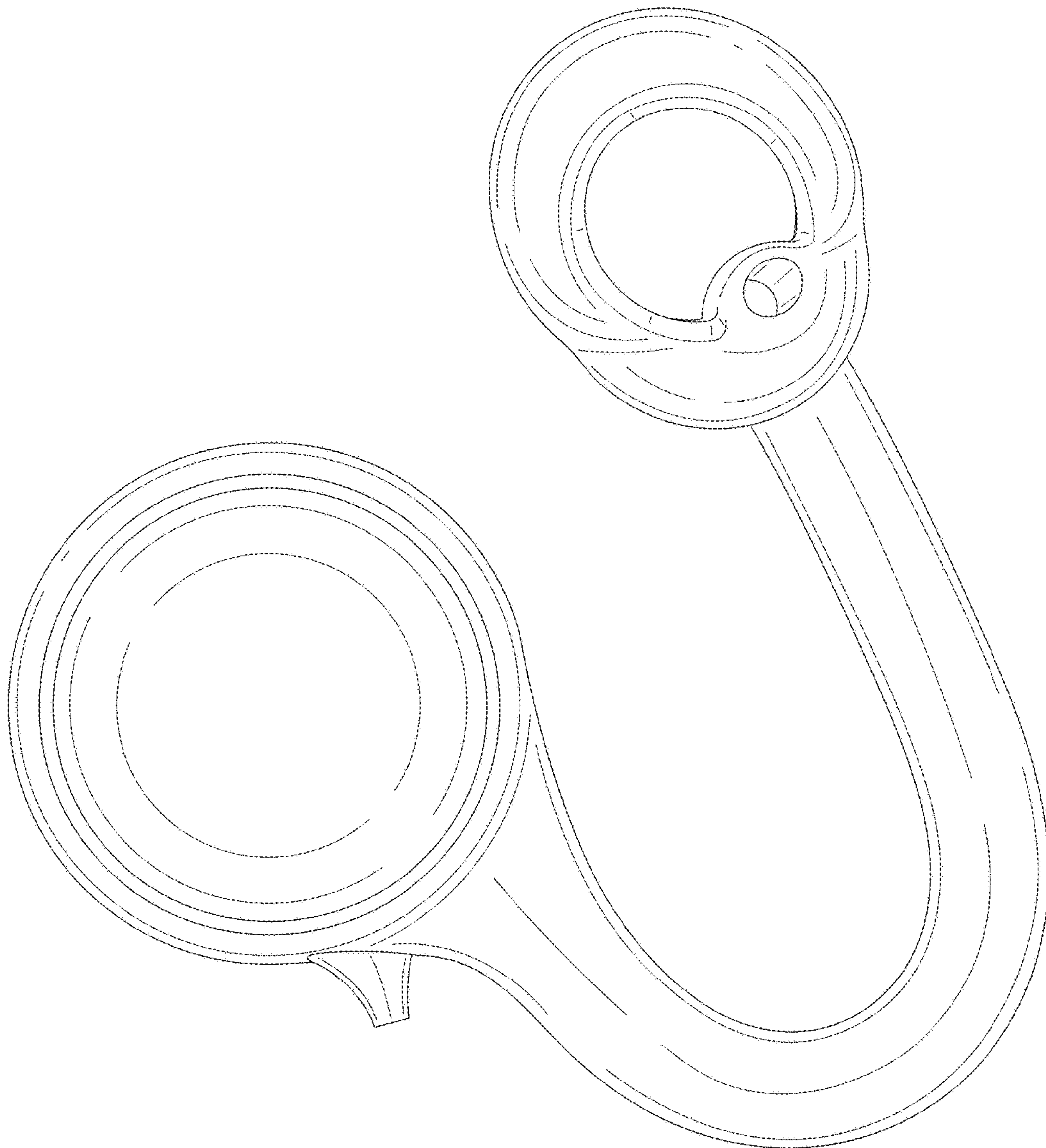


FIG.28

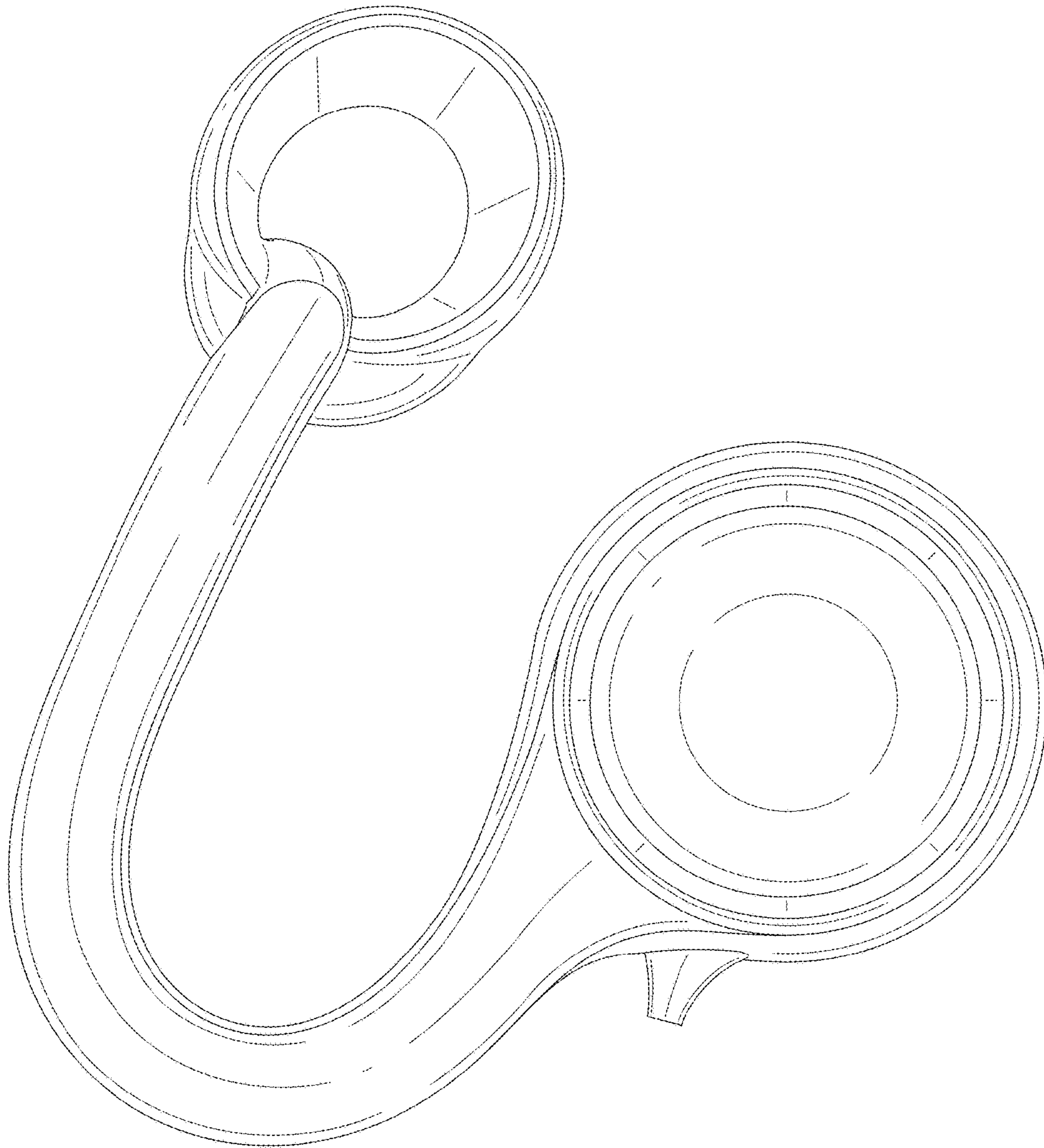


FIG.29

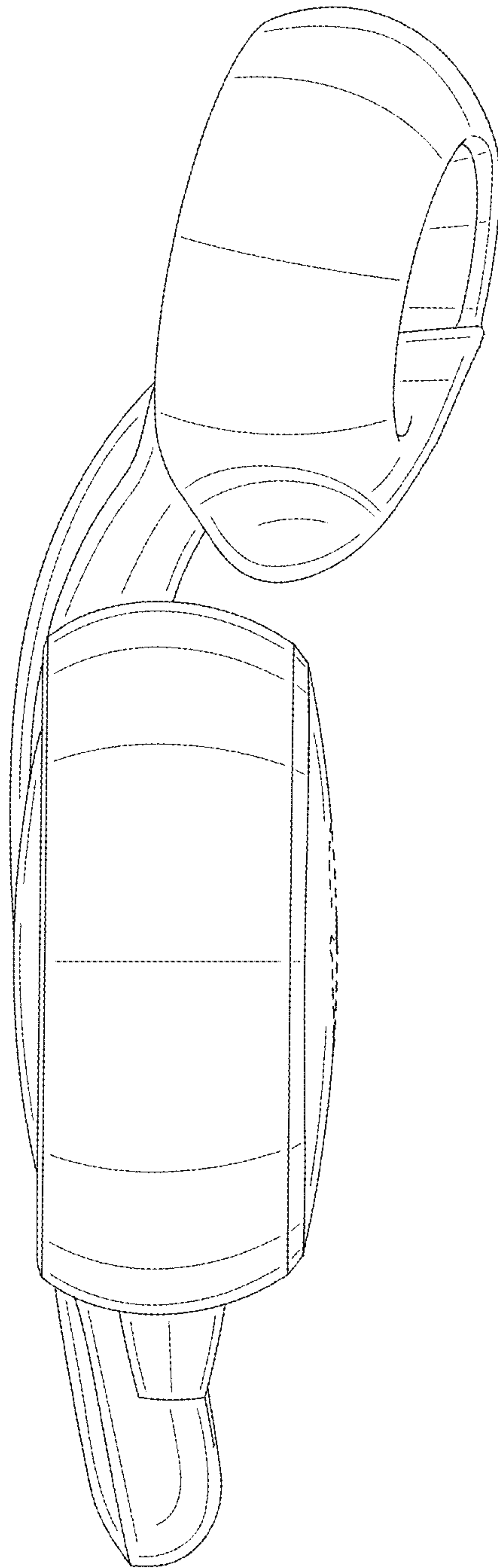


FIG.30

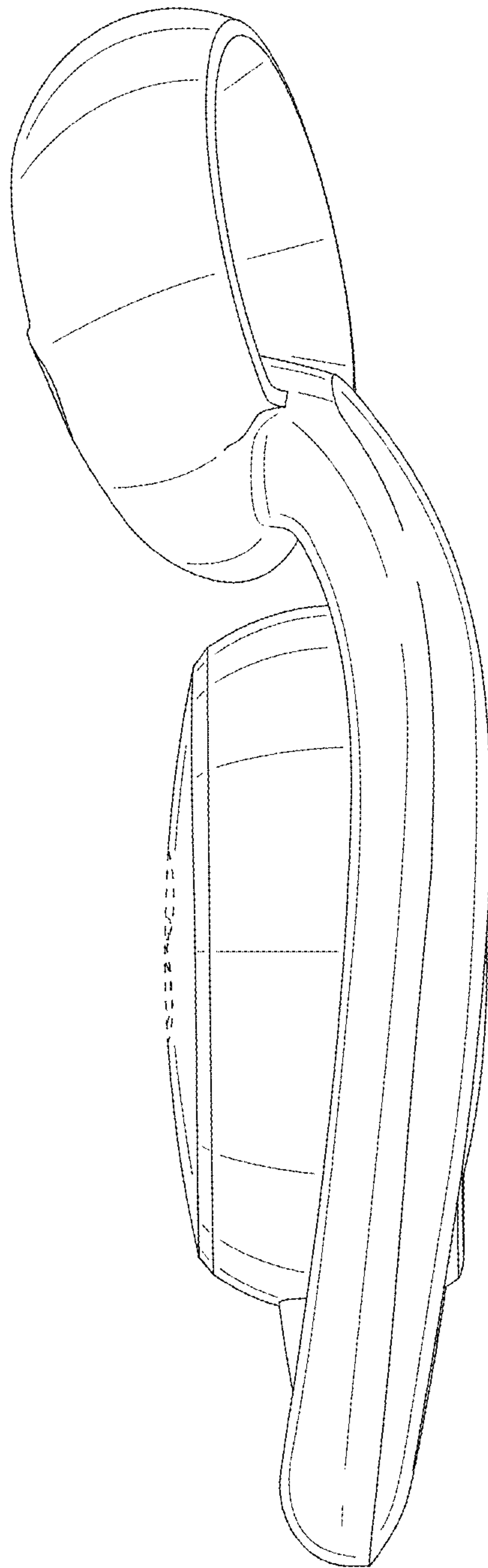


FIG.31

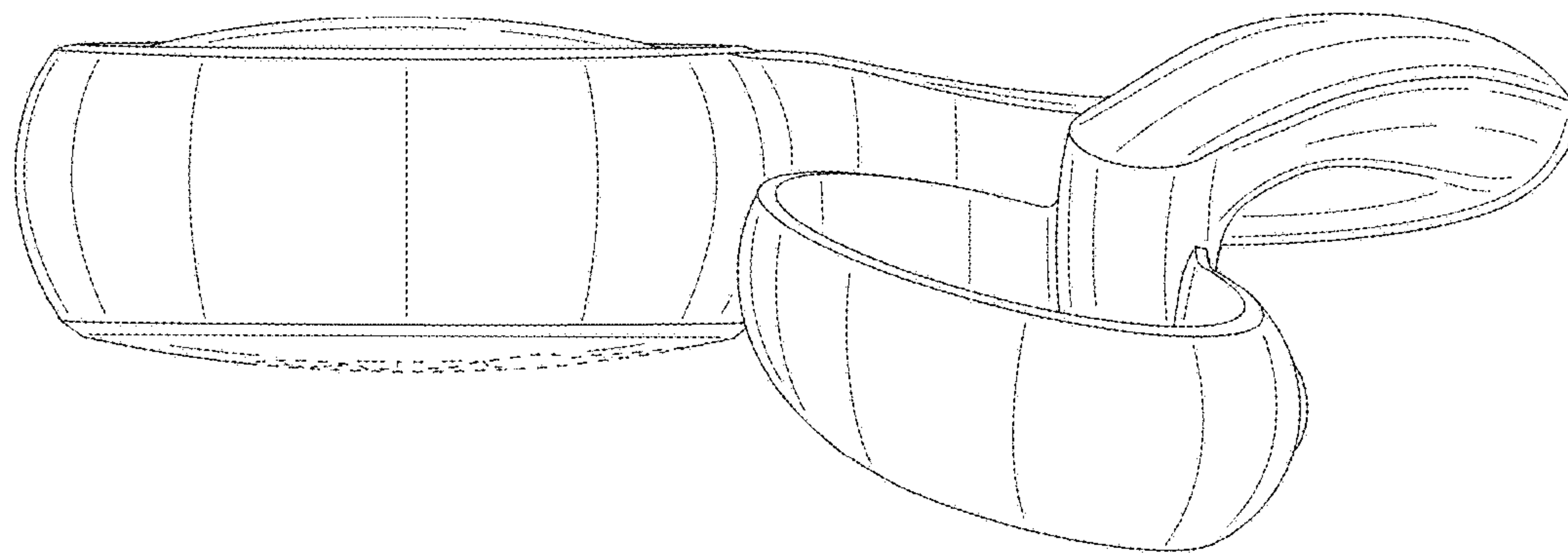


FIG.32

