



US00D819593S

(12) **United States Design Patent**
Lee

(10) **Patent No.:** **US D819,593 S**
(45) **Date of Patent:** **** Jun. 5, 2018**

(54) **AUDIO AMPLIFIER**

(71) Applicant: **IRIVER LIMITED**, Seoul (KR)

(72) Inventor: **Eun Kyung Lee**, Seoul (KR)

(73) Assignee: **IRIVER LIMITED**, Seoul (KR)

(**) Term: **15 Years**

(21) Appl. No.: **29/605,768**

(22) Filed: **May 30, 2017**

(30) **Foreign Application Priority Data**

May 19, 2017 (KR) 30-2017-0022861

(51) **LOC (11) Cl.** **14-03**

(52) **U.S. Cl.**
USPC **D14/197**

(58) **Field of Classification Search**
USPC D14/157, 168, 172, 188, 194, 195, 196,
D14/197, 198, 204, 210, 211, 212, 213,
D14/214, 215, 216, 217, 221, 222, 223,
D14/224, 257, 258

CPC B60R 11/0217; G06F 1/1688; G10K 9/22;
G10K 11/004; H03F 1/327; H04M 1/03;
H04M 1/035; H04N 5/642; H04N
21/4852; H04S 3/00; H04S 7/30; H04R
1/02; H04R 1/06; H04R 1/021; H04R
1/025; H04R 1/026; H04R 1/028; H04R
1/105; H04R 1/323; H04R 1/403; H04R
1/2803; H04R 1/2834; H04R 5/02; H04R
7/20; H04R 9/06; H04R 9/025; H04R
2201/021; H04R 2400/00; H04R 2400/07;
H04R 2499/11; H04R 2499/13; H04R
2499/15

See application file for complete search history.

(56) **References Cited**

U.S. PATENT DOCUMENTS

D97,763 S * 12/1935 Erwood D14/168
D224,541 S * 8/1972 Burrige D14/222

D349,290 S * 8/1994 Christensen D14/217
D448,754 S * 10/2001 Chang D14/217
6,614,913 B1 * 9/2003 Allen H04R 1/025
181/150
D498,743 S * 11/2004 Robinson D14/188
D533,864 S * 12/2006 Yokoyama D14/168
D581,393 S * 11/2008 Rodrigues D14/188
D718,282 S * 11/2014 Bennett D13/163
8,967,323 B1 * 3/2015 Grenier H04R 1/403
181/198
D740,199 S * 10/2015 Akita D12/307

(Continued)

OTHER PUBLICATIONS

Amazon—Iriver Audio Amplifier, announced Dec. 14, 2017 (date first available) [online], [site visited Jan. 31, 2018]. Available from Internet, URL: <<https://www.amazon.com/dp/B0788HKYV9>>.*

(Continued)

Primary Examiner — Keli L Hill

Assistant Examiner — Karra S Johnson

(74) *Attorney, Agent, or Firm* — Hauptman Ham, LLP

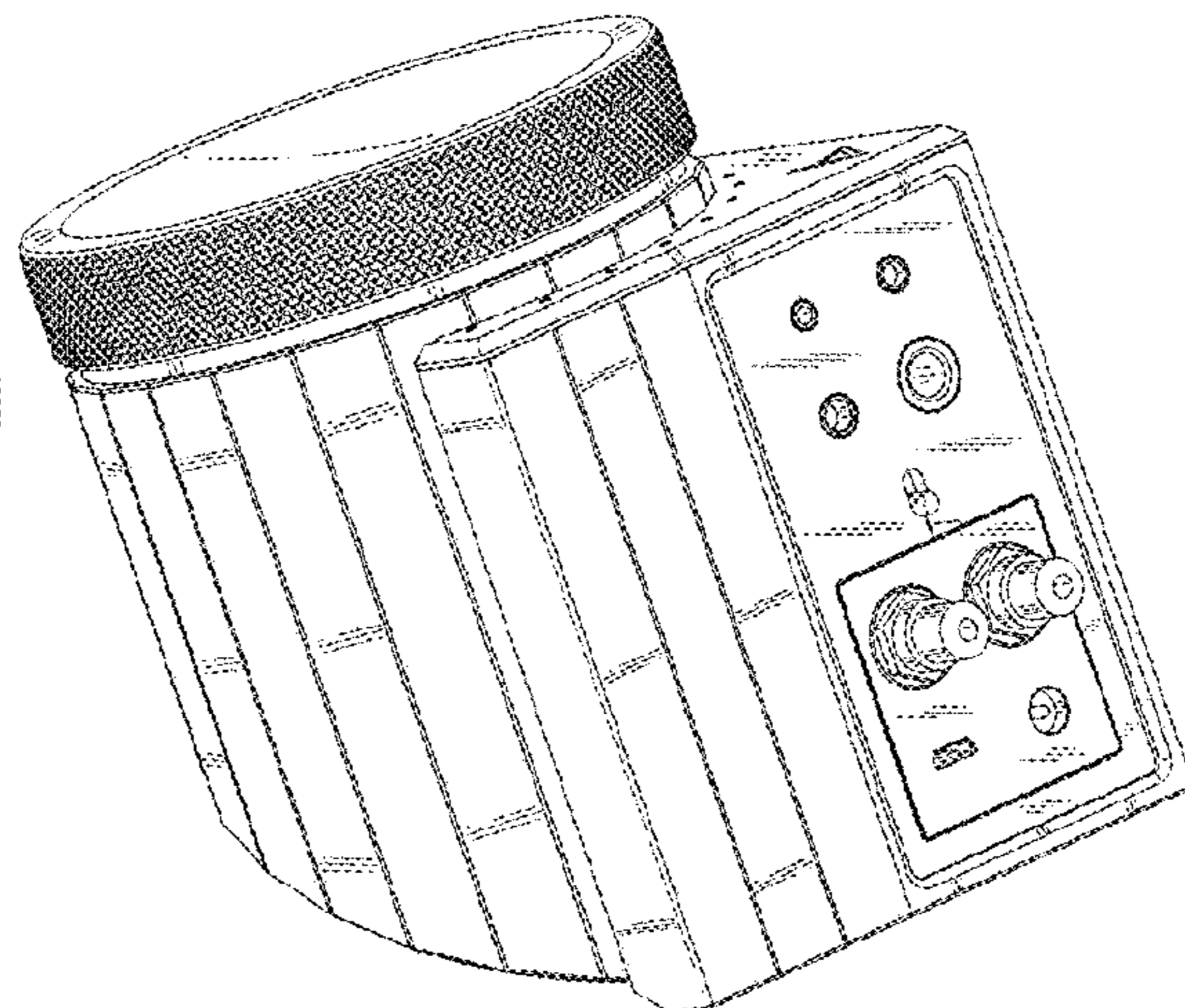
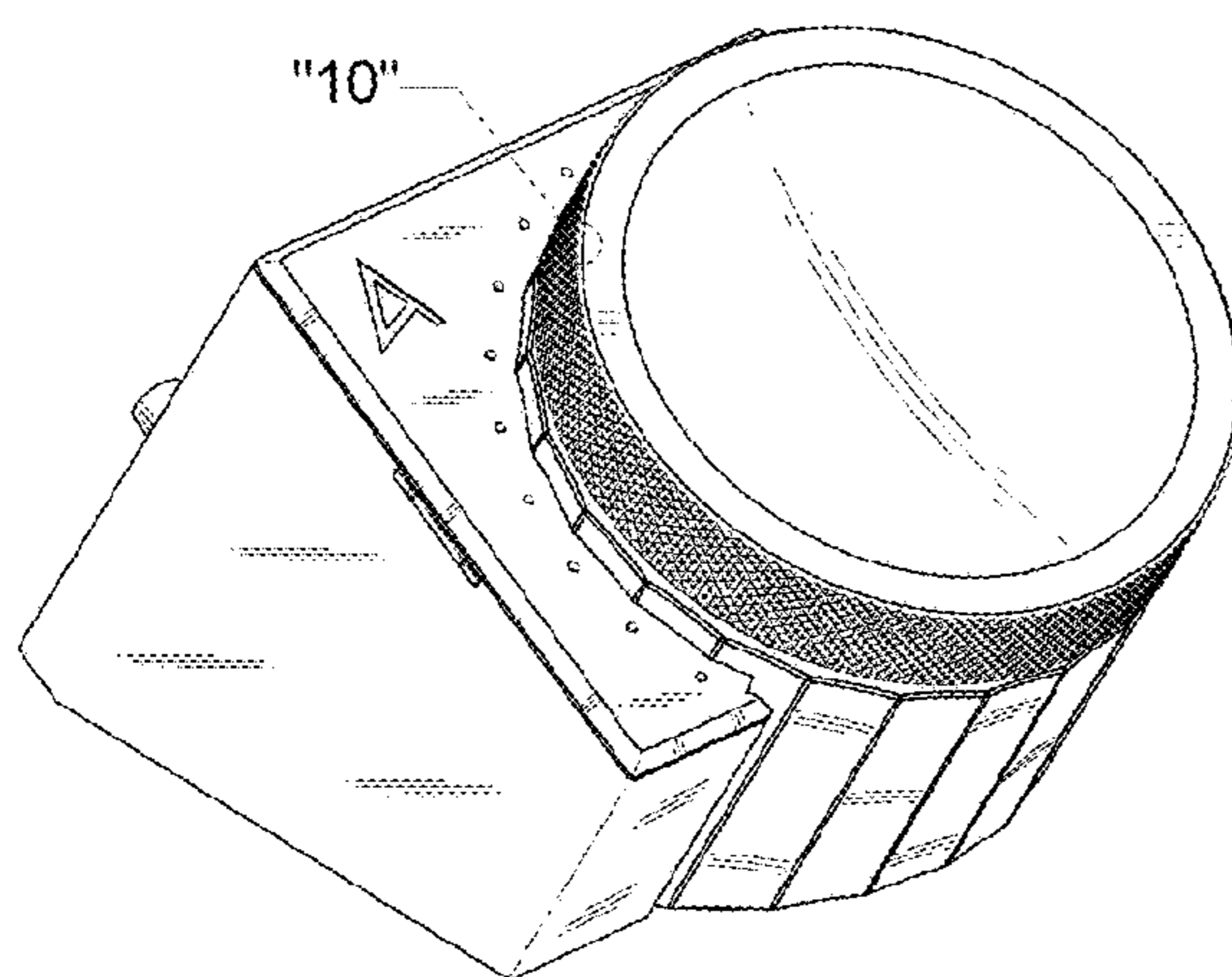
(57) **CLAIM**

I claim the ornamental design for an audio amplifier, as shown and described.

DESCRIPTION

FIG. 1 is a front perspective view of the audio amplifier; FIG. 2 is a rear perspective view thereof; FIG. 3 is a bottom perspective view thereof; FIG. 4 is a front elevation view thereof; FIG. 5 is a rear elevation view thereof; FIG. 6 is a left side elevation view thereof; FIG. 7 is a right side elevation view thereof; FIG. 8 is a top plane view thereof; FIG. 9 is a bottom plane view thereof; and, FIG. 10 is an enlarged view of “10” of FIG. 1 thereof.

1 Claim, 10 Drawing Sheets



(56)

References Cited

U.S. PATENT DOCUMENTS

D808,925 S * 1/2018 Kaplan D14/215
2017/0245049 A1* 8/2017 Clark H04R 1/2834

OTHER PUBLICATIONS

Amazon—Astell&Kern Bluetooth Remote Control, announced Apr. 28, 2016 (dated via reviews) [online], [site visited Jan. 31, 2018]. Available from internet, URL: <<https://www.amazon.com/Astell-Kern-Bluetooth-Remote-Control/dp/B01AU5PKRW>>.*

* cited by examiner

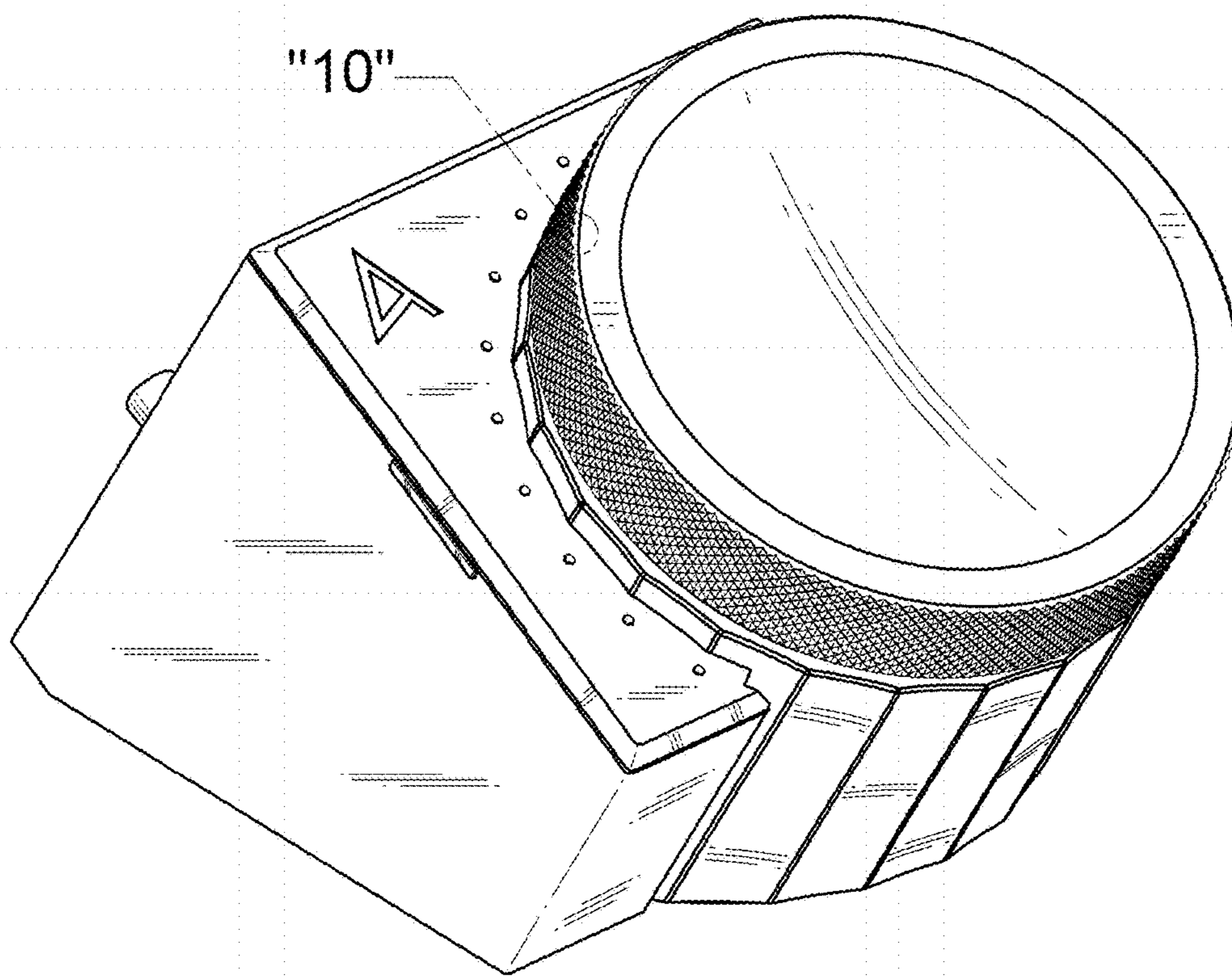


FIG. 1

FIG. 2

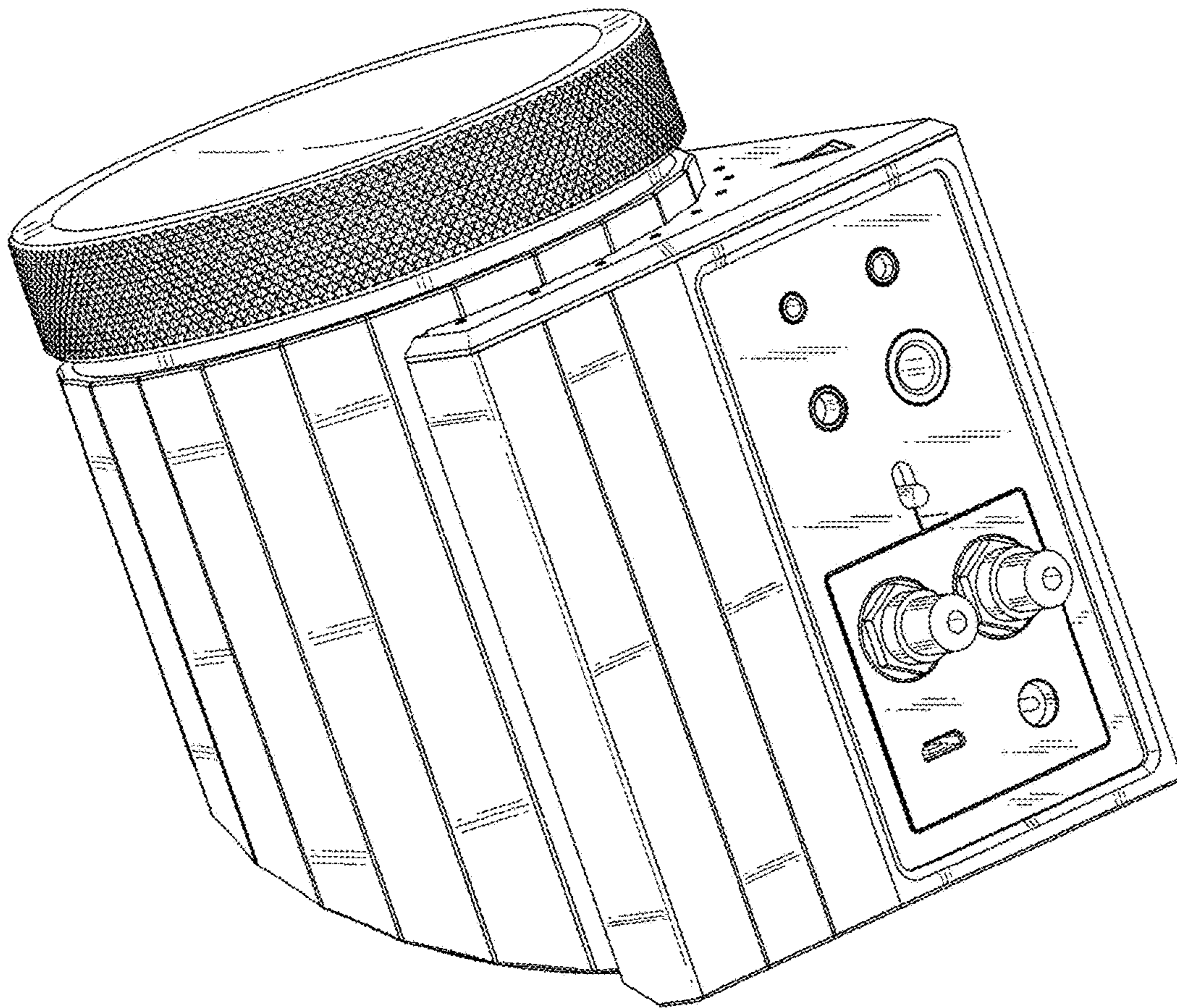


FIG. 3

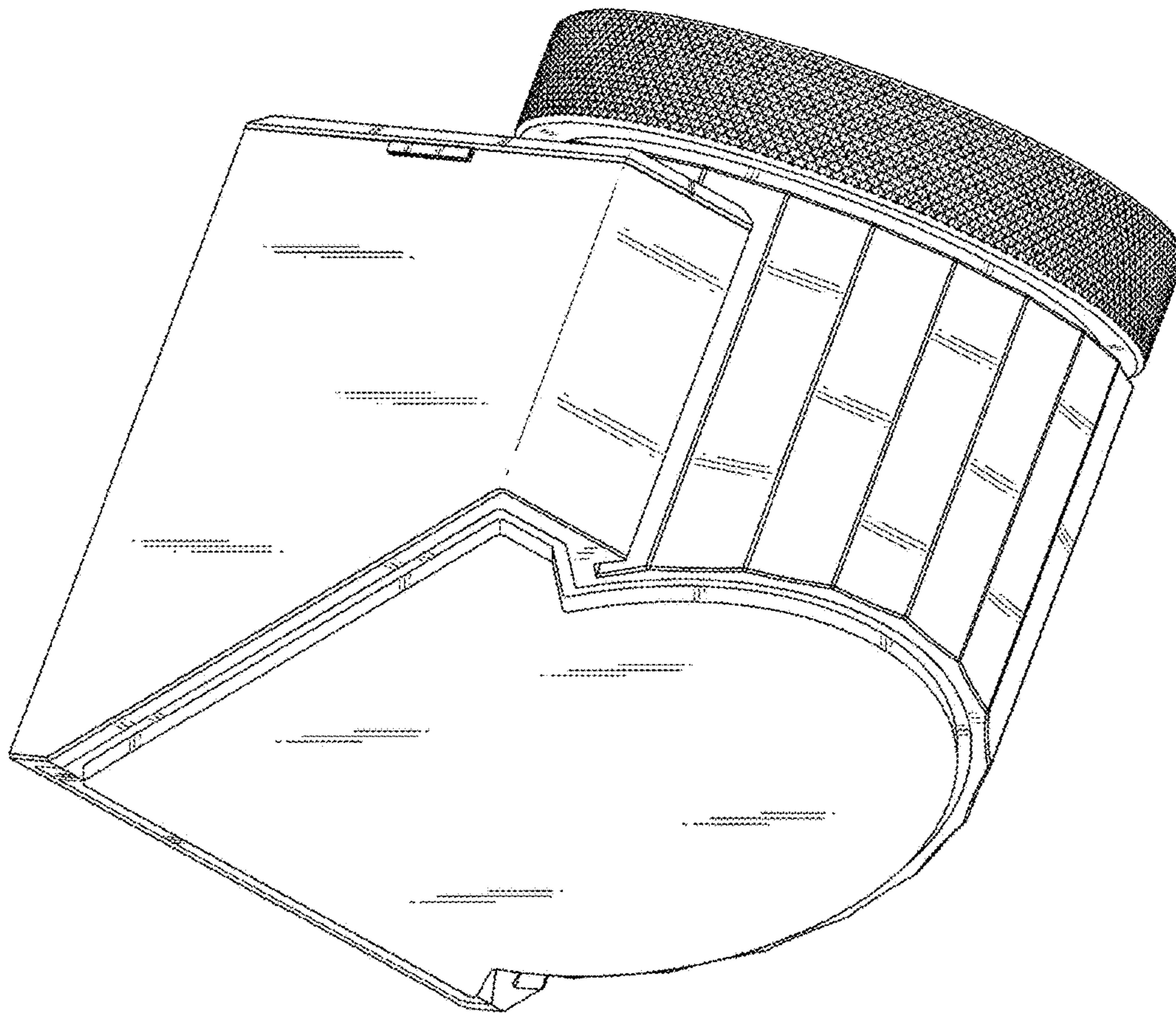


FIG. 4

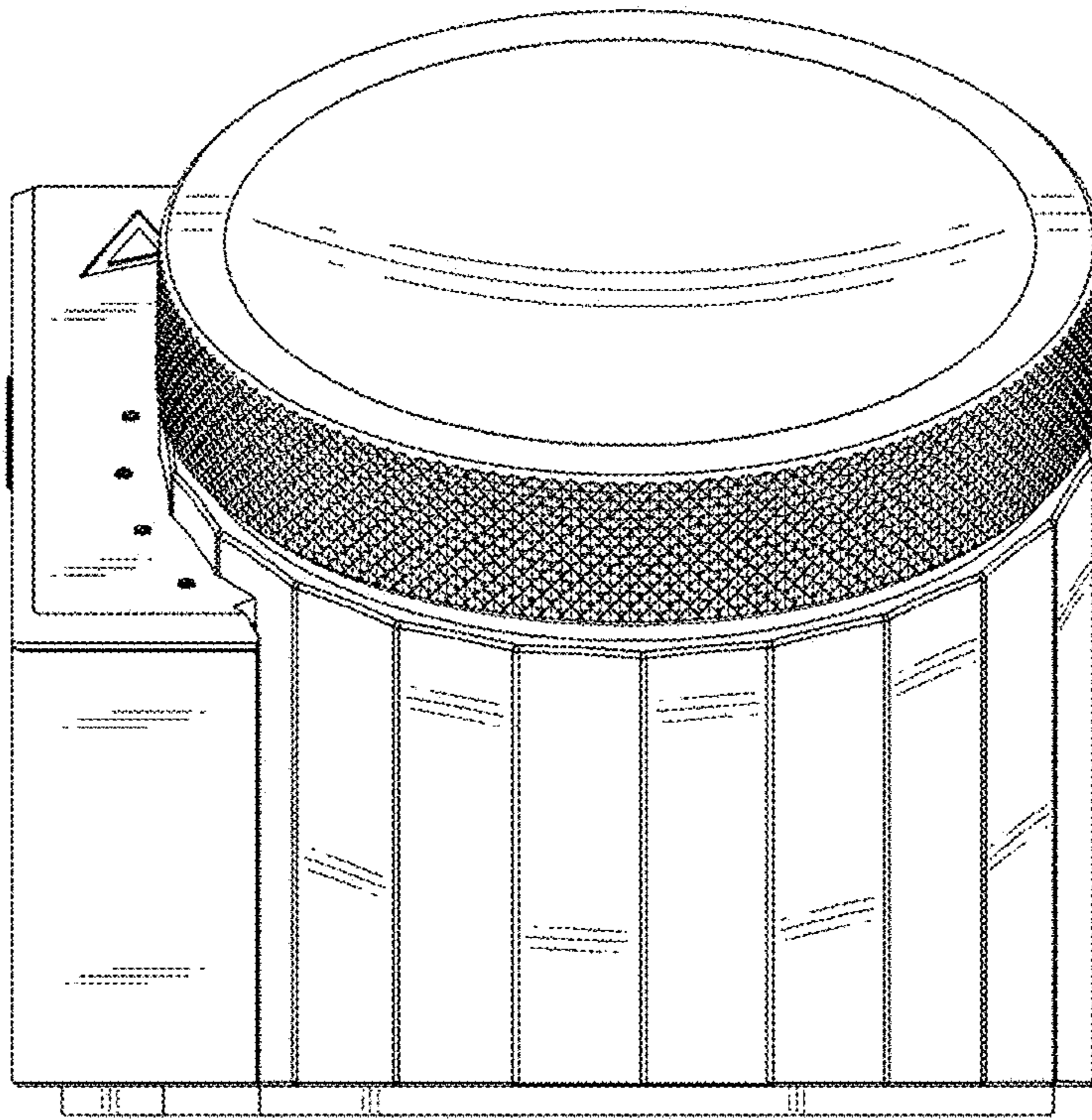


FIG. 5

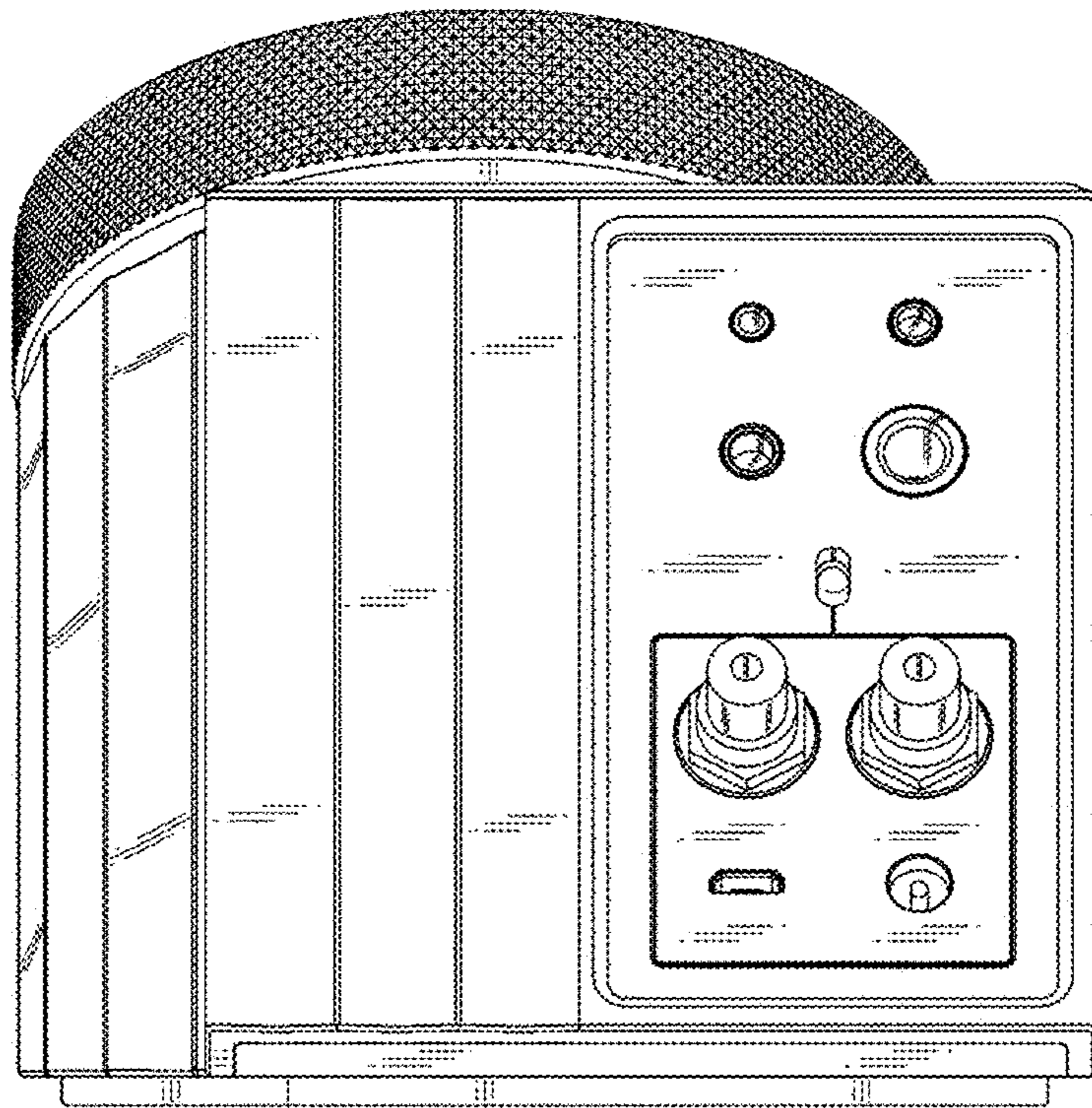


FIG. 6

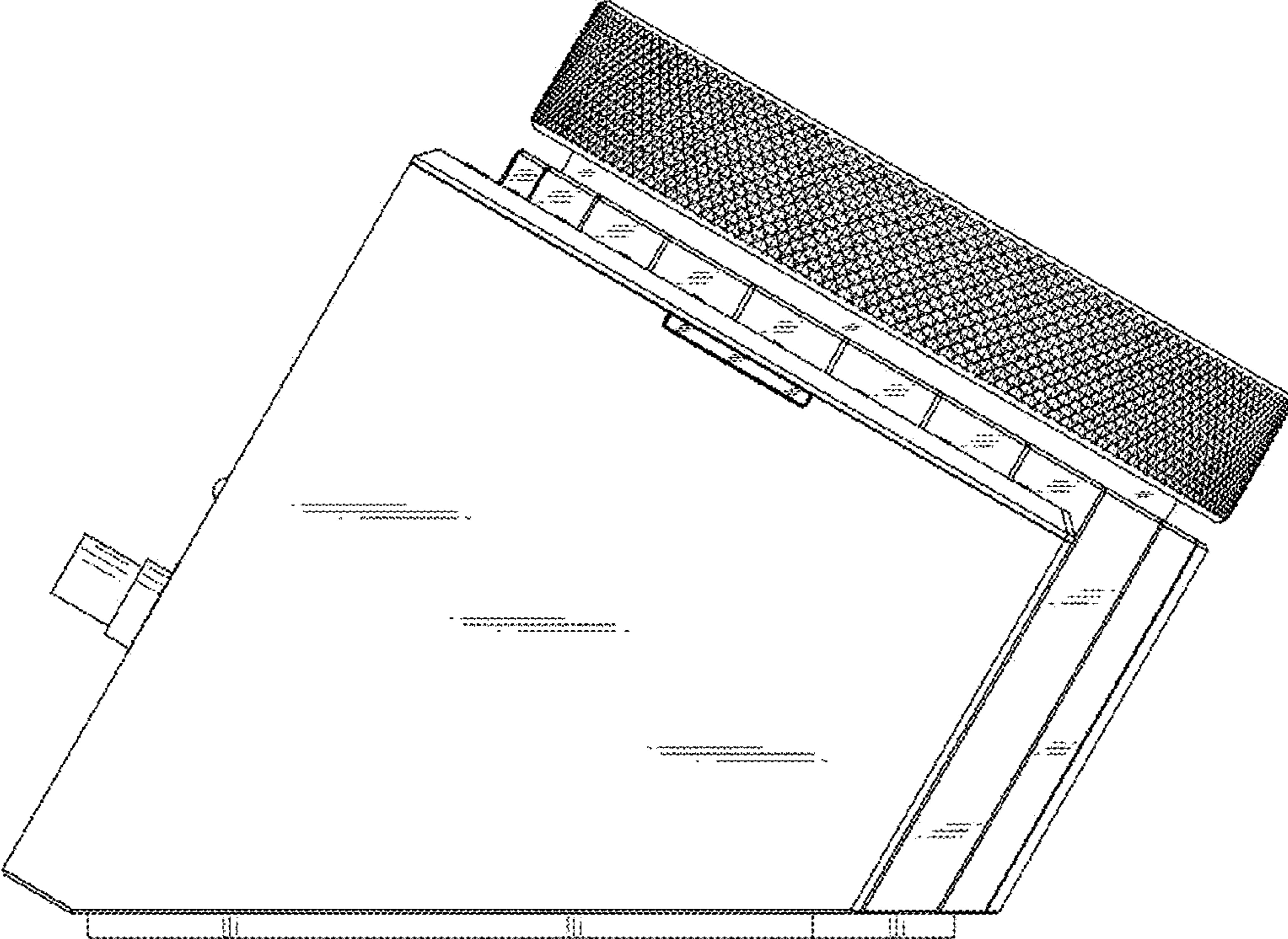


FIG. 7

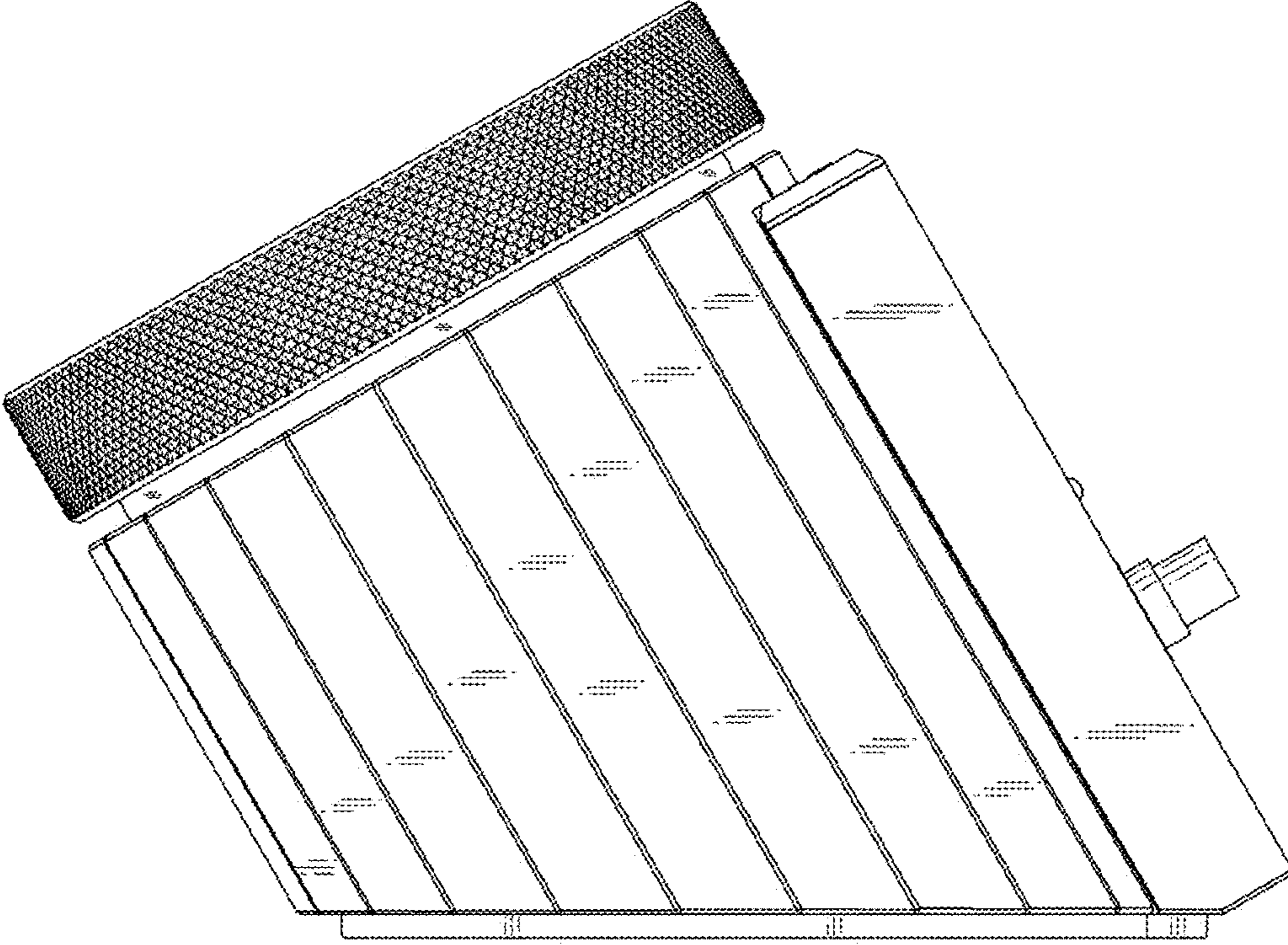


FIG. 8

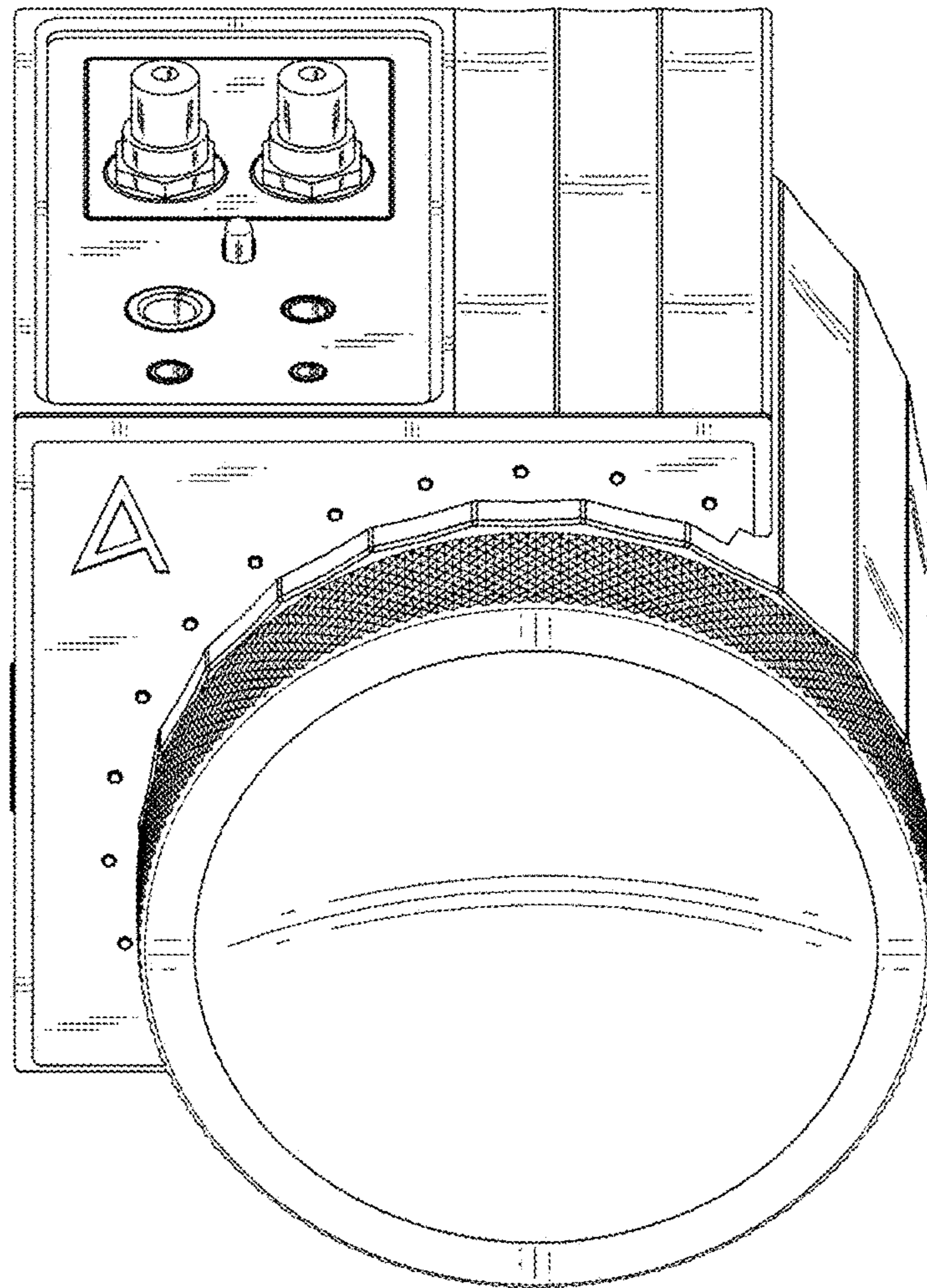


FIG. 9

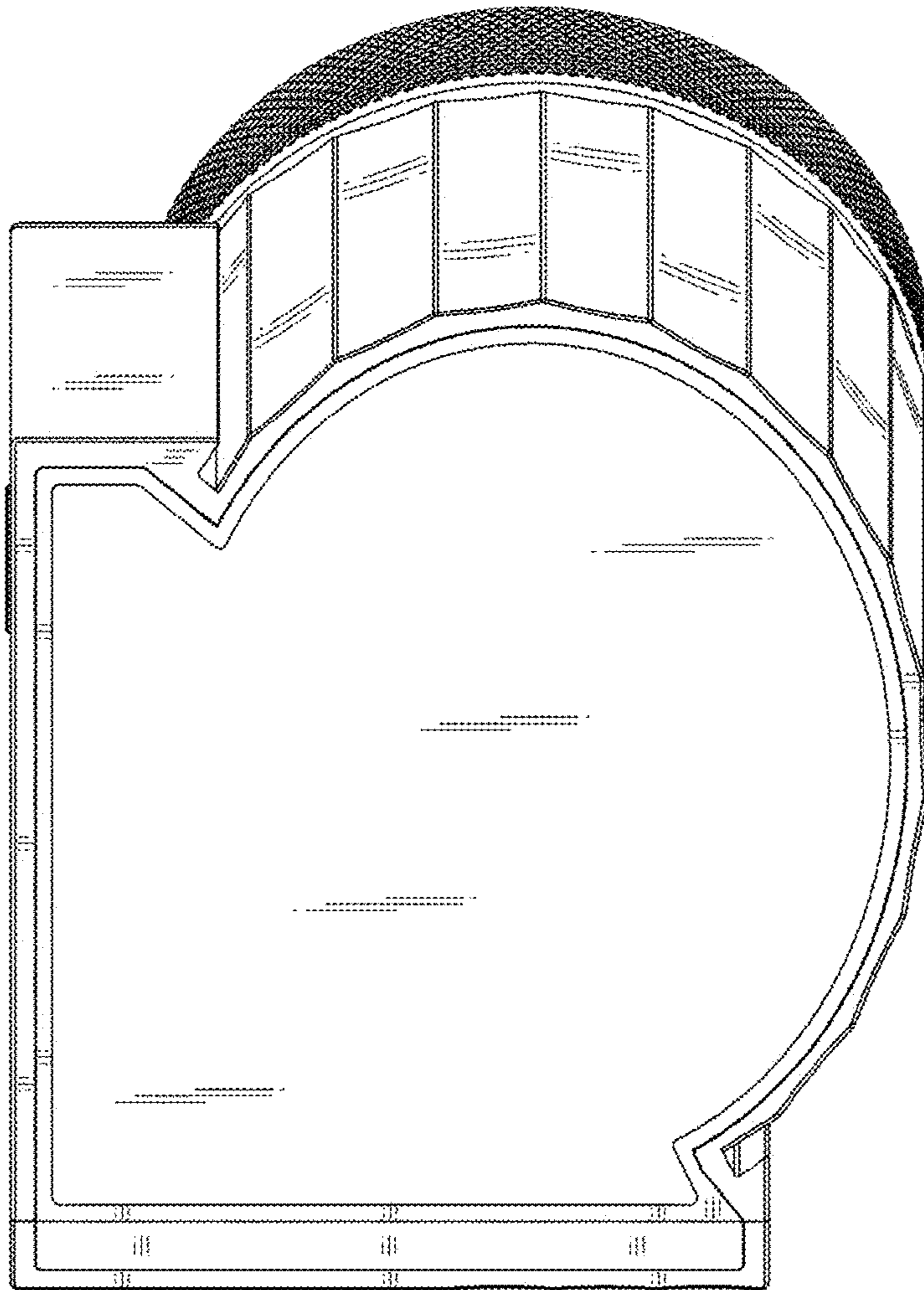


FIG. 10

