



US00D819590S

(12) **United States Design Patent**  
**Nakagawa**

(10) **Patent No.:** **US D819,590 S**  
(45) **Date of Patent:** **\*\* Jun. 5, 2018**

(54) **PORTABLE COMMUNICATION DEVICE**

(71) Applicant: **ICOM INCORPORATED**, Osaka-shi,  
Osaka (JP)

(72) Inventor: **Masashi Nakagawa**, Osaka (JP)

(73) Assignee: **ICOM INCORPORATED**, Osaka (JP)

(\*\*) Term: **15 Years**

(21) Appl. No.: **29/587,768**

(22) Filed: **Dec. 15, 2016**

(30) **Foreign Application Priority Data**

Jun. 16, 2016 (JP) ..... D2016-012888

(51) **LOC (11) Cl.** ..... **14-03**

(52) **U.S. Cl.**  
USPC ..... **D14/137; D14/138 AA**

(58) **Field of Classification Search**  
USPC .... D14/137, 138 R, 138 AA, 147, 148, 218,  
D14/155, 159, 142, 225, 226, 191, 188,  
D14/192, 194, 197, 198; D21/517;  
D10/104.1, 104.2, 106.1, 65; D13/168  
CPC ..... H04B 1/3833; H04B 1/3827; H04B  
2001/3861; H04M 1/0202; H04M 1/03;  
H04M 1/035; H04W 76/005; G08B  
21/0202

See application file for complete search history.

(56) **References Cited**

**U.S. PATENT DOCUMENTS**

D451,484 S \* 12/2001 Page ..... D14/137  
D526,993 S \* 8/2006 Richards ..... D14/188  
D540,289 S \* 4/2007 Liu ..... D14/137  
D584,712 S \* 1/2009 Okkonen ..... D14/138 AA  
D589,919 S \* 4/2009 Bower ..... D14/138 AA  
D591,251 S \* 4/2009 Laine ..... D14/138 AA  
D602,454 S \* 10/2009 Boucquoy ..... D14/137

D609,209 S \* 2/2010 Cheng ..... D14/138 AA  
D611,022 S \* 3/2010 Puhalla ..... D14/138 AA  
D611,442 S \* 3/2010 Kim ..... D14/138 AA

(Continued)

**FOREIGN PATENT DOCUMENTS**

JP D1535839 10/2015  
JP D1583449 \* 8/2017

**OTHER PUBLICATIONS**

Icom A25 Aviation Radio—In-Flight PIREP, published Nov 17, 2017 on YouTube by Sporty’s Pilot Shop, [online], [site visited Dec. 30, 2017]. Available from Internet, <URL: <https://www.youtube.com/watch?v=RMxzhrRqyKY>>.\*

*Primary Examiner* — Jeffrey D Asch

(74) *Attorney, Agent, or Firm* — Birch, Stewart, Kolasch & Birch, LLP

(57) **CLAIM**

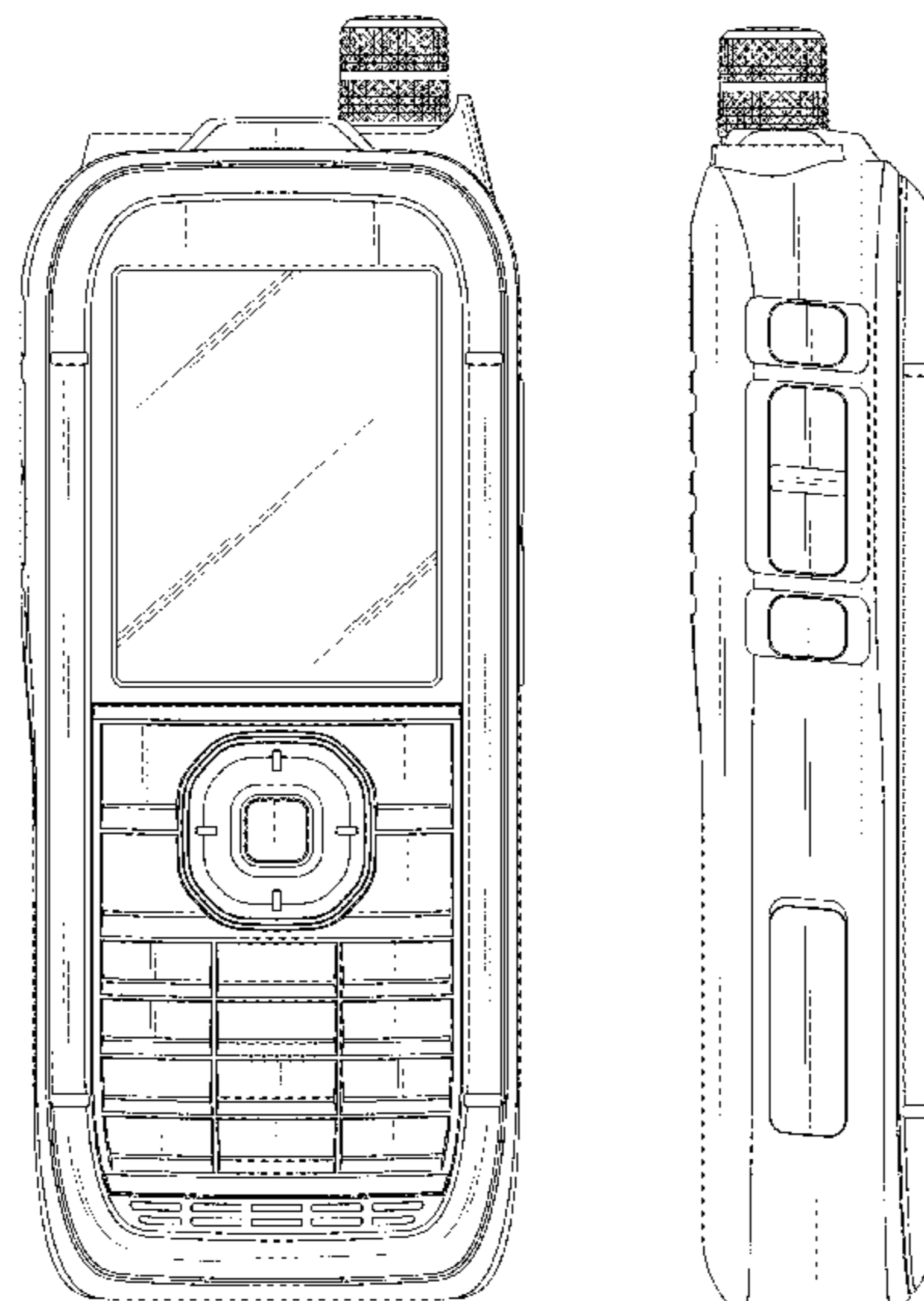
The ornamental design for a portable communication device, as shown and described.

**DESCRIPTION**

FIG. 1 is a perspective view of the portable communication device;  
FIG. 2 is a front view of the portable communication device;  
FIG. 3 is a rear view of the portable communication device;  
FIG. 4 is a left side view of the portable communication device;  
FIG. 5 is a right side view of the portable communication device;  
FIG. 6 is a top view of the portable communication device;  
and,  
FIG. 7 is a bottom view of the portable communication device.

The broken lines depict portions of the portable communication device in which the design is embodied that are not considered part of the claimed design.

**1 Claim, 5 Drawing Sheets**



(56)

**References Cited**

U.S. PATENT DOCUMENTS

D612,822 S \* 3/2010 Hunt ..... D14/138 AA  
D618,202 S \* 6/2010 Chaumont ..... D14/138 AA  
D620,466 S \* 7/2010 Kim ..... D14/138 AA  
D632,274 S \* 2/2011 Nilsen ..... D14/138 AA  
D643,009 S \* 8/2011 Lee ..... D14/138 AA  
D664,111 S \* 7/2012 Ismail ..... D14/137  
D687,003 S \* 7/2013 Flores Meneses .... D14/138 AA  
D695,246 S \* 12/2013 Jeong ..... D14/138 AA  
D721,348 S \* 1/2015 Plaschke ..... D14/138 AA  
D778,861 S \* 2/2017 Guo ..... D14/138 AA  
D786,212 S \* 5/2017 Huang ..... D14/138 AA  
D796,467 S \* 9/2017 Oikawa ..... D14/137  
D797,069 S \* 9/2017 Nishizawa ..... D14/137  
2006/0234785 A1 \* 10/2006 Lee ..... H04M 1/72527  
455/575.1

\* cited by examiner

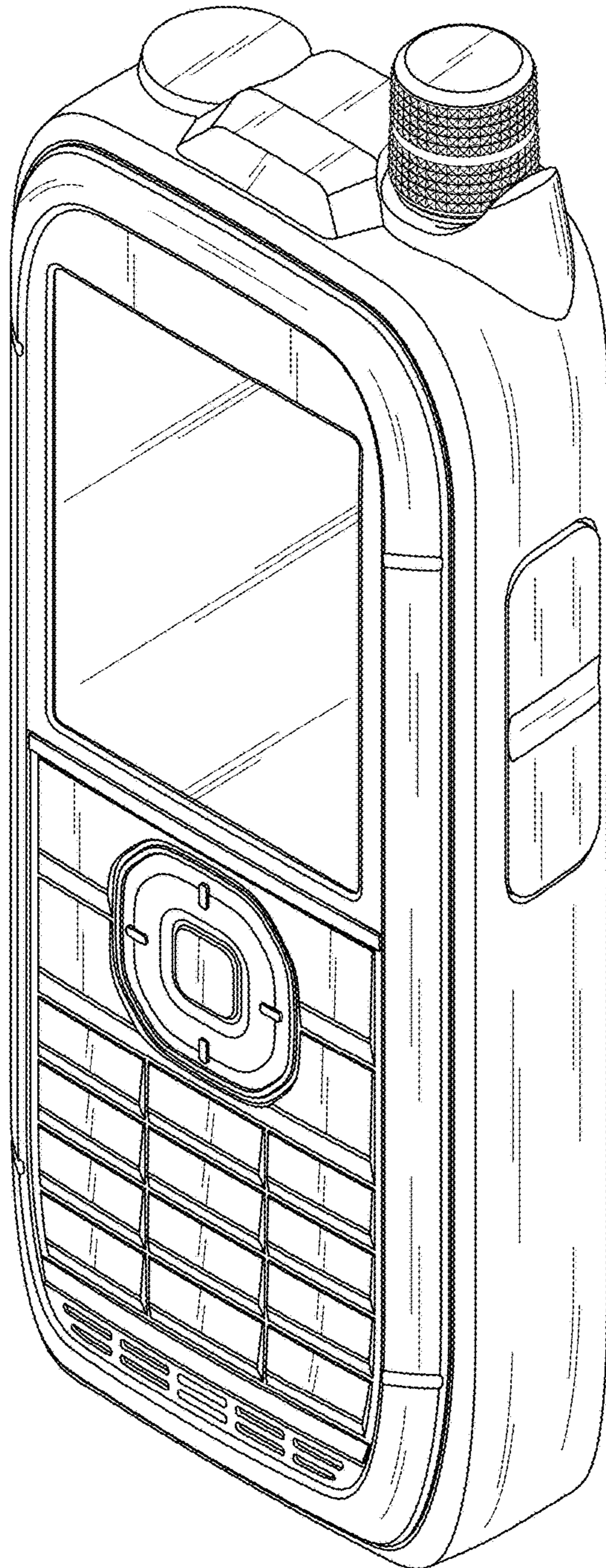


FIG. 1

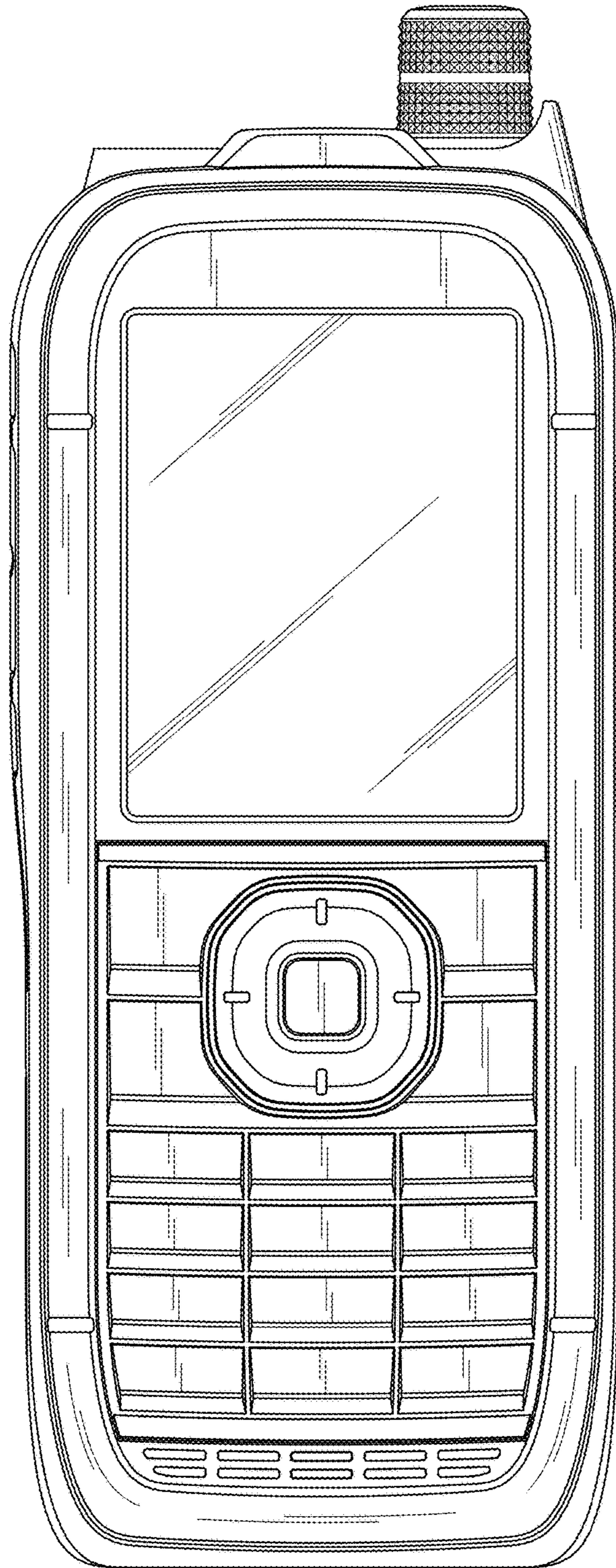


FIG.2

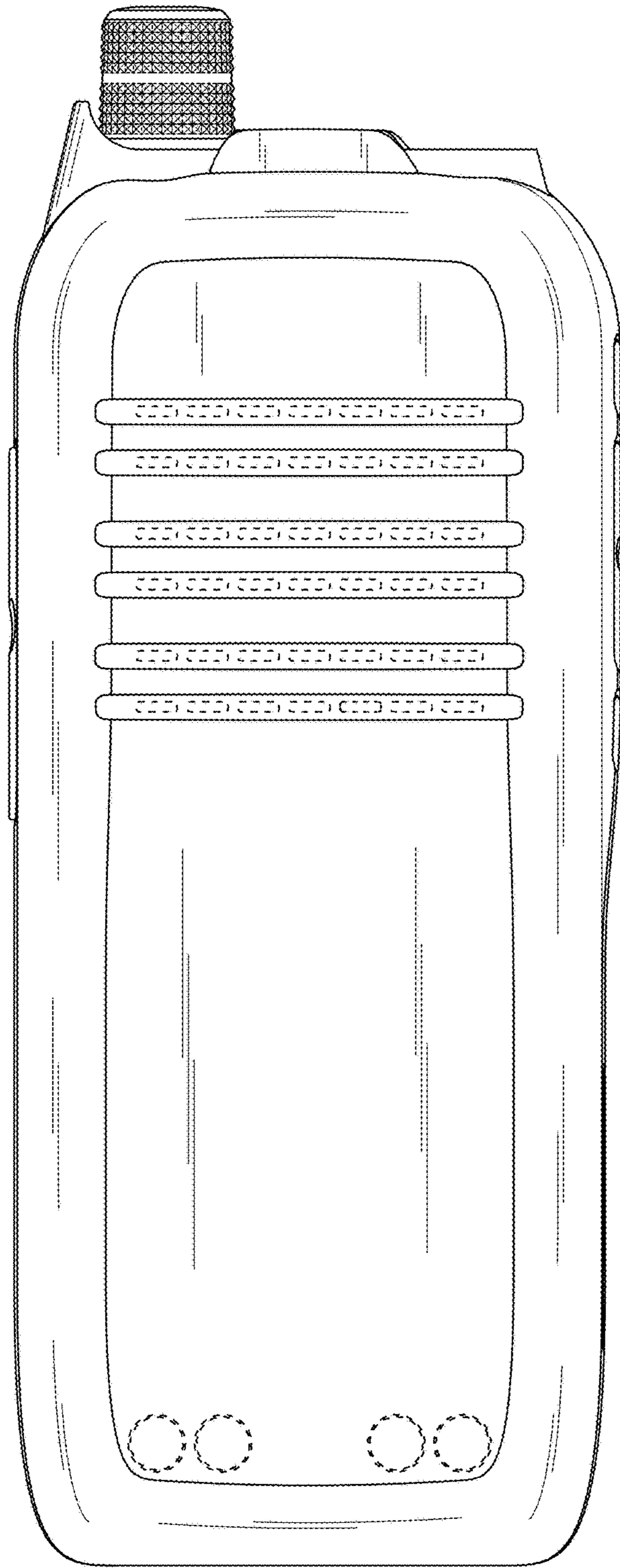


FIG.3

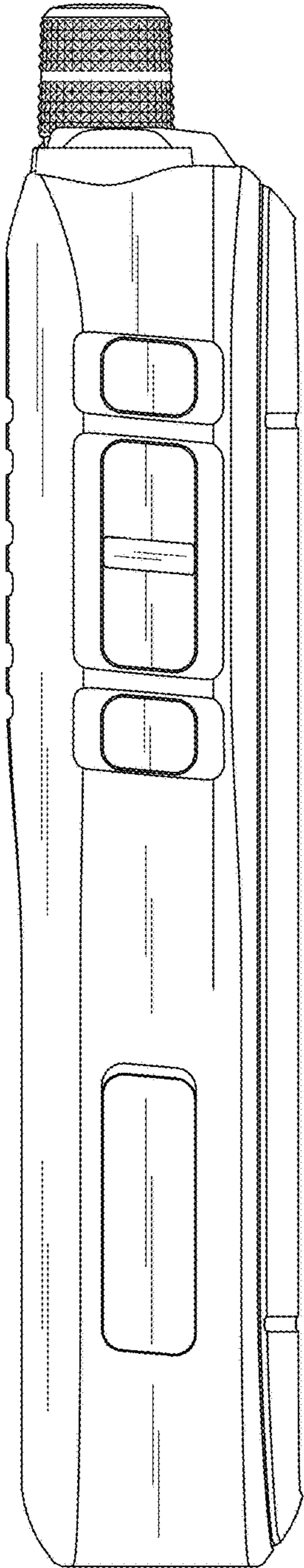


FIG. 4

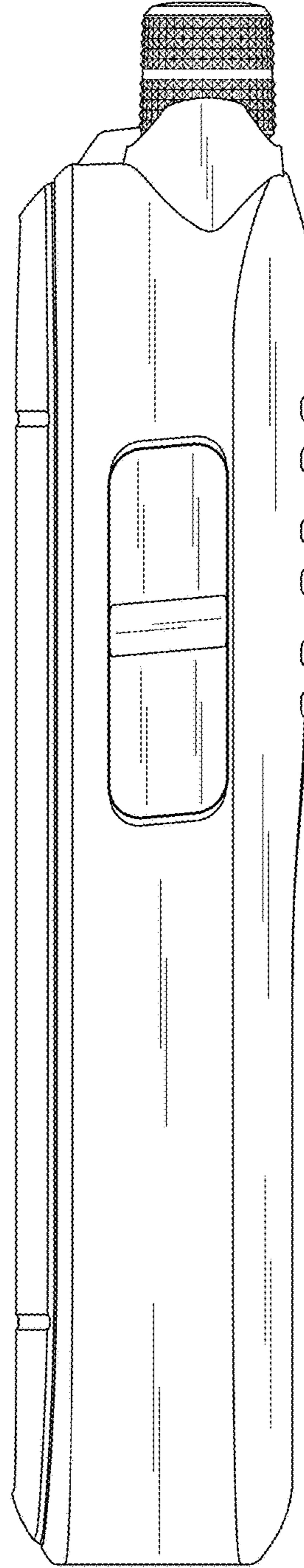


FIG. 5

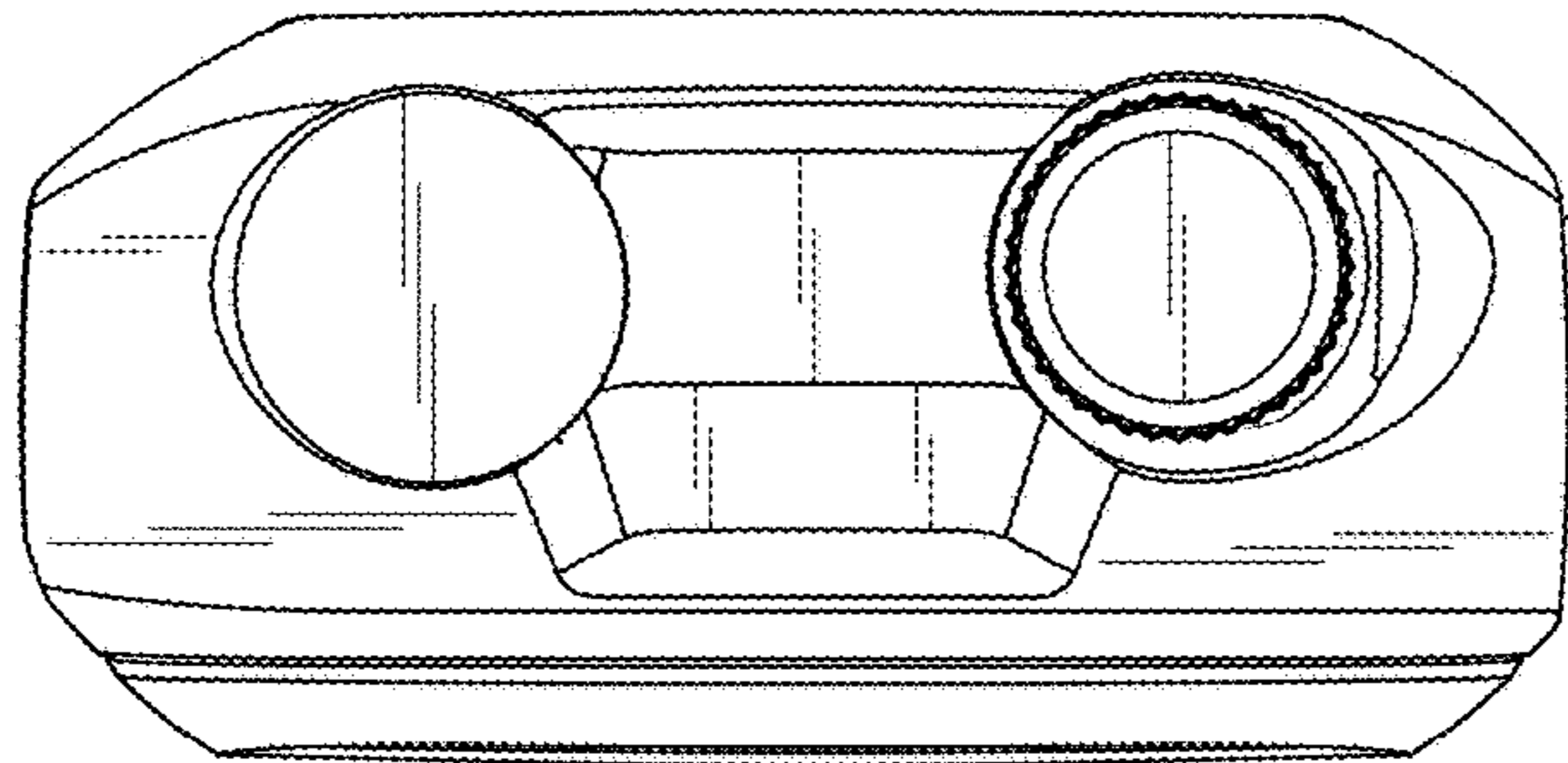


FIG. 6

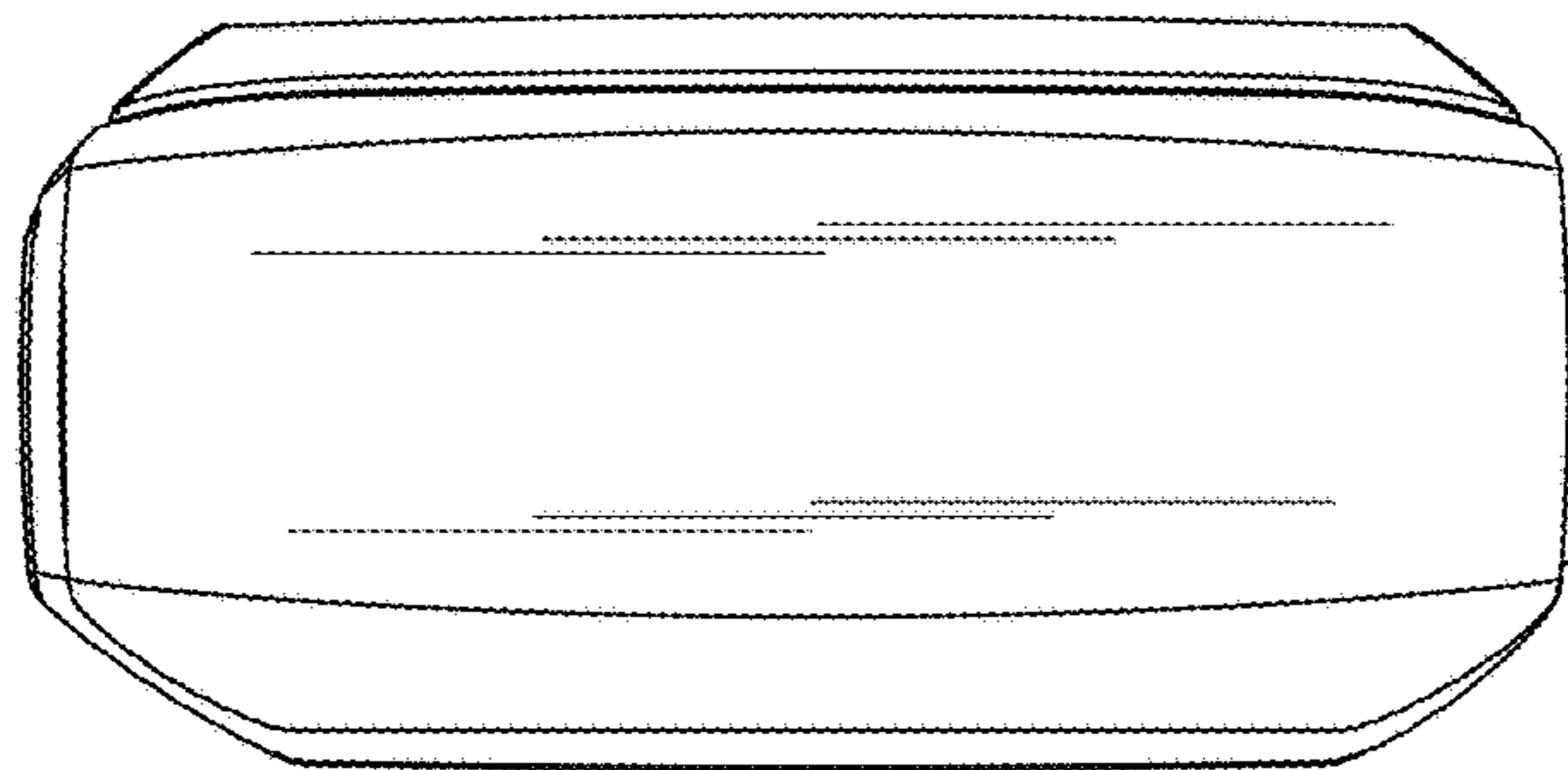


FIG. 7