

US00D819589S

(12) **United States Design Patent**  
**Kim et al.**

(10) **Patent No.:** **US D819,589 S**

(45) **Date of Patent:** **\*\* \*Jun. 5, 2018**

(54) **TV RECEIVER**

CPC ... G06F 1/1601; G06F 1/1643; H05K 5/0004;  
H05K 5/0017; H05K 5/02; H05K 5/0217  
See application file for complete search history.

(71) Applicant: **LG ELECTRONICS INC.**, Seoul  
(KR)

(56) **References Cited**

(72) Inventors: **Yooseok Kim**, Seoul (KR); **Jongyoun Shin**, Seoul (KR); **Sunha Park**, Seoul (KR); **Younsoo Kim**, Seoul (KR); **Byungmu Huh**, Seoul (KR)

U.S. PATENT DOCUMENTS

(73) Assignee: **LG ELECTRONICS INC.**, Seoul  
(KR)

D692,403	S	*	10/2013	Takami	.....	D14/126
D700,586	S	*	3/2014	Kim	.....	D14/126
D703,168	S	*	4/2014	Won	.....	D14/126
D714,238	S	*	9/2014	Kim	.....	D14/126
D719,119	S	*	12/2014	Park	.....	D14/126
D720,315	S	*	12/2014	Kim	.....	D14/126
D722,033	S	*	2/2015	Kim	.....	D14/126
D722,989	S	*	2/2015	Park	.....	D14/126
D733,082	S	*	6/2015	Hwangbo	.....	D14/126
D748,596	S	*	2/2016	McManigal	.....	D14/126
D751,519	S	*	3/2016	Ma	.....	D14/126
D754,086	S	*	4/2016	Valeur	.....	D14/126
D755,140	S	*	5/2016	Kim	.....	D14/126
D756,945	S	*	5/2016	Kim	.....	D14/126
D768,100	S	*	10/2016	Seo	.....	D14/126
D772,830	S	*	11/2016	Kim	.....	D14/126
D773,419	S	*	12/2016	Han	.....	D14/126

(\*) Notice: This patent is subject to a terminal disclaimer.

(\*\*) Term: **15 Years**

(Continued)

(21) Appl. No.: **35/501,876**

*Primary Examiner* — Michael A. Pratt

(22) Filed: **May 11, 2016**

(74) *Attorney, Agent, or Firm* — Birch, Stewart, Kolasch & Birch, LLP

(80) **Hague Agreement Data**

Int. Filing Date: **May 11, 2016**  
Int. Reg. No.: **DM/092702**  
Int. Reg. Date: **May 11, 2016**  
Int. Reg. Pub. Date: **Nov. 11, 2016**

(57) **CLAIM**

The ornamental design for TV receiver, as shown and described.

(30) **Foreign Application Priority Data**

Nov. 13, 2015 (KR) ..... 30-2015-0057417

**DESCRIPTION**

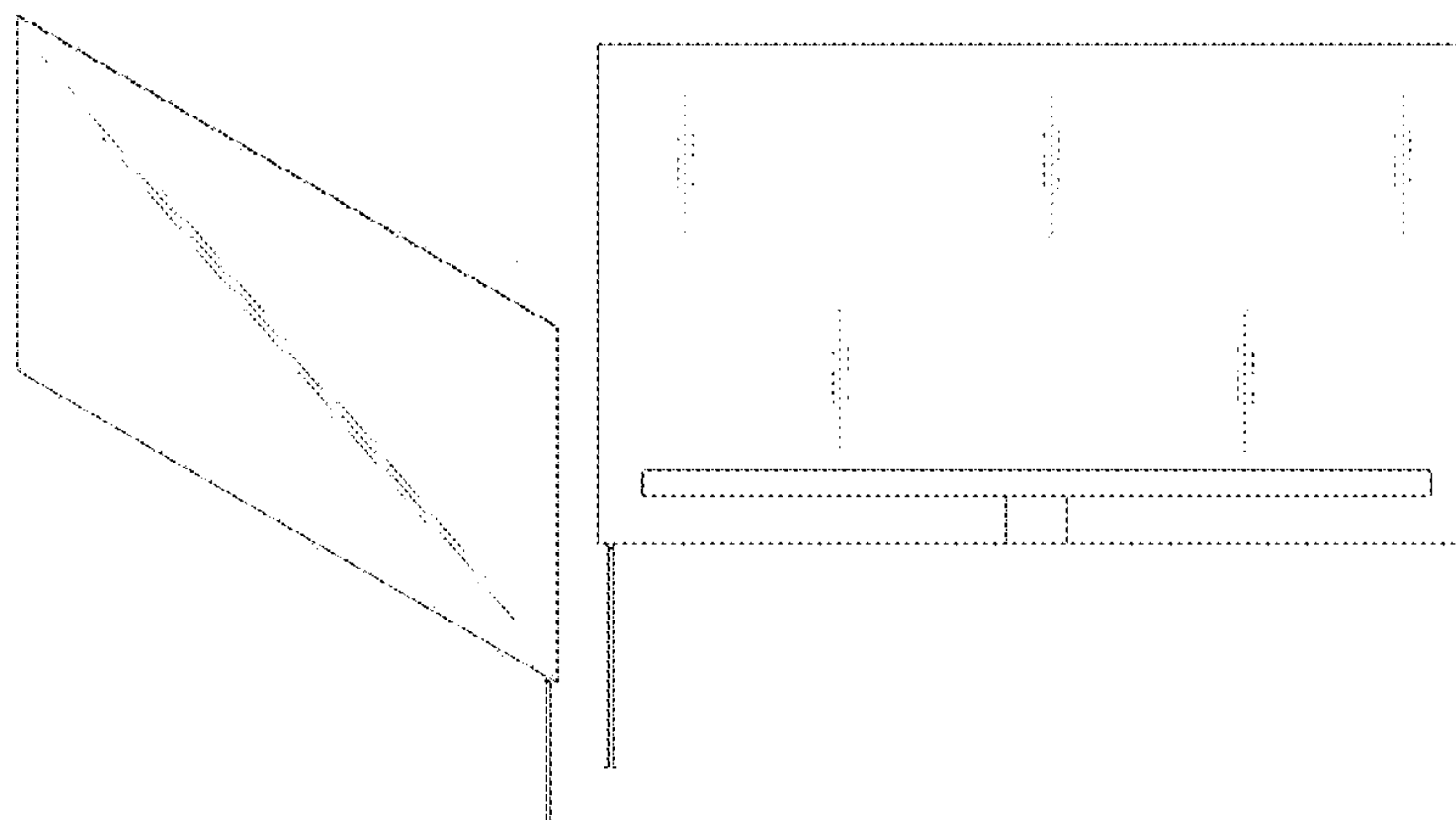
(51) **LOC (11) Cl.** ..... **14-03**

(52) **U.S. Cl.**  
USPC ..... **D14/126**

- 1. TV receiver
- 1.1 : Perspective
- 1.2 : Front
- 1.3 : Back
- 1.4 : Left
- 1.5 : Right
- 1.6 : Top
- 1.7 : Bottom
- 1.8 : Enlarged
- 1.9 : Reference

(58) **Field of Classification Search**  
USPC ..... D14/126, 127, 128, 336, 448

(Continued)



The dash-dot broken line of figure 1.8 is included to show a partially enlarged view only and forms no part of the claimed design. The evenly-spaced broken lines shown in figure 1.9 are for the purpose of illustrating environment and form no part of the claimed design.

**1 Claim, 9 Drawing Sheets**

(56)

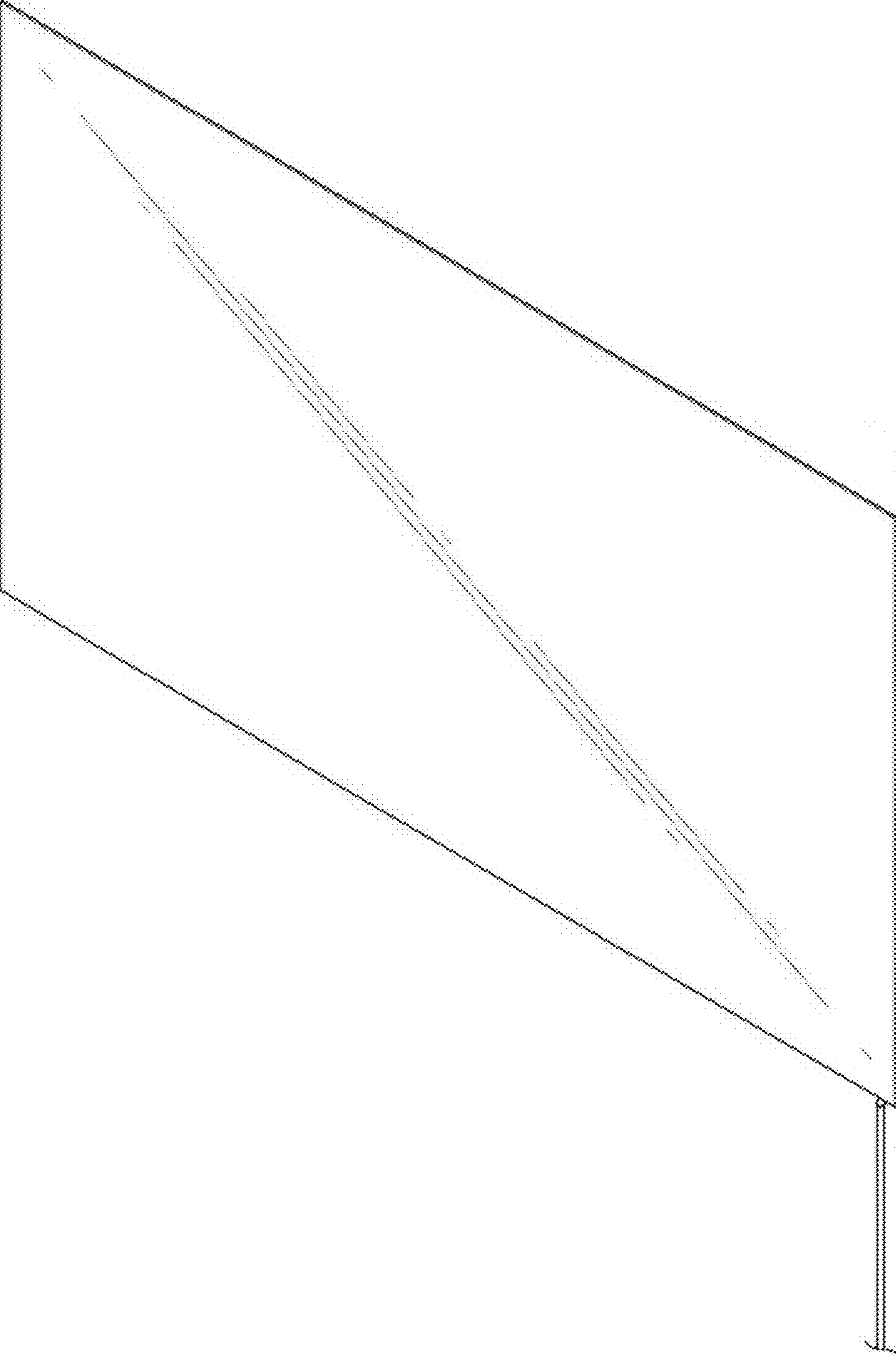
**References Cited**

U.S. PATENT DOCUMENTS

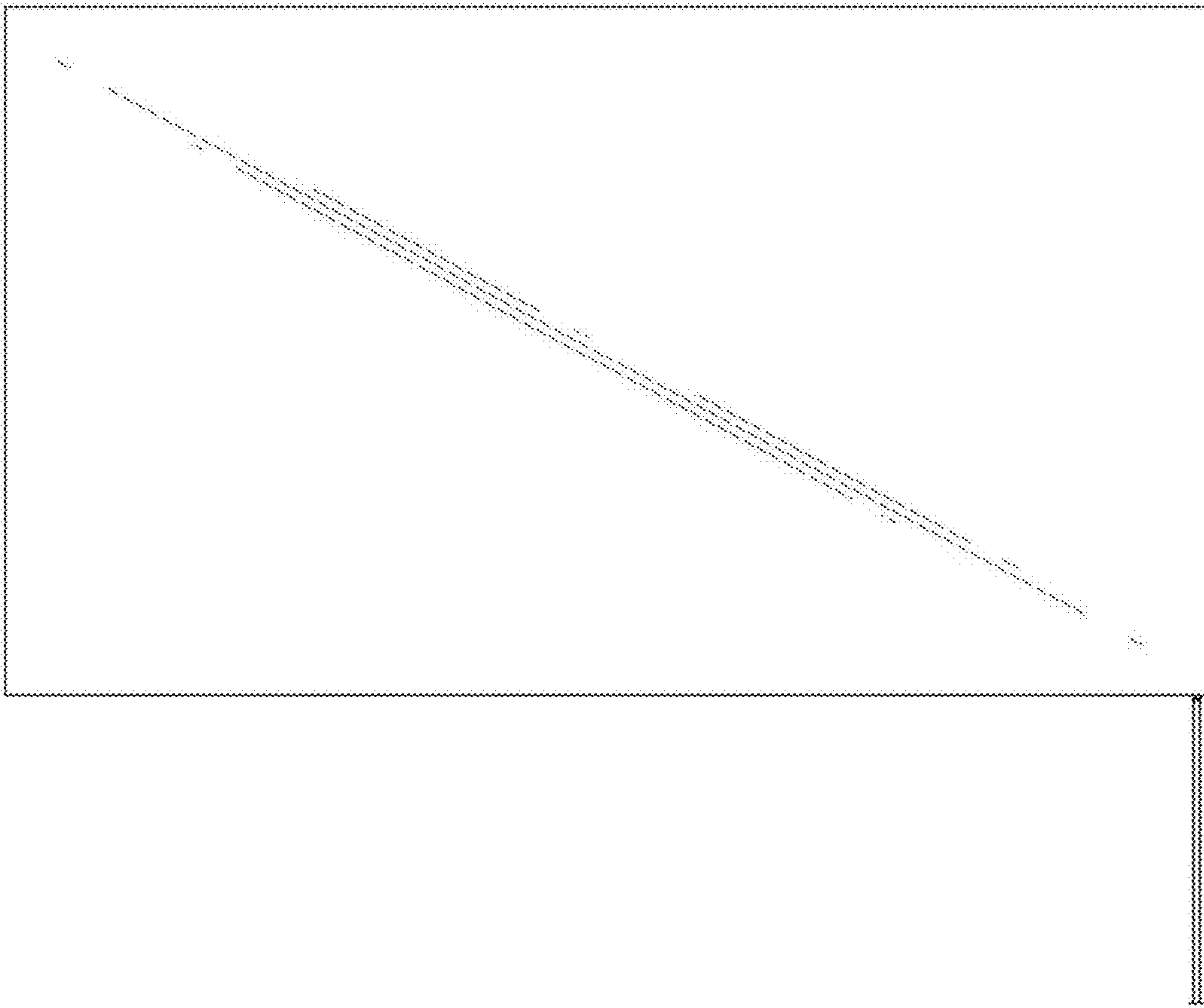
D774,484 S	*	12/2016	Han	.....	D14/126
D775,094 S	*	12/2016	Kim	.....	D14/126
D778,854 S	*	2/2017	Lee	.....	D14/126
D778,855 S	*	2/2017	Lee	.....	D14/126
D780,140 S	*	2/2017	Kim	.....	D14/126
D782,991 S	*	4/2017	Kim	.....	D14/126
D785,581 S	*	5/2017	McManigal	.....	D14/126
D786,813 S	*	5/2017	McManigal	.....	D14/126
D787,462 S	*	5/2017	Shiono	.....	D14/126
D790,493 S	*	6/2017	Han	.....	D14/126
D792,361 S	*	7/2017	Han	.....	D14/126

\* cited by examiner

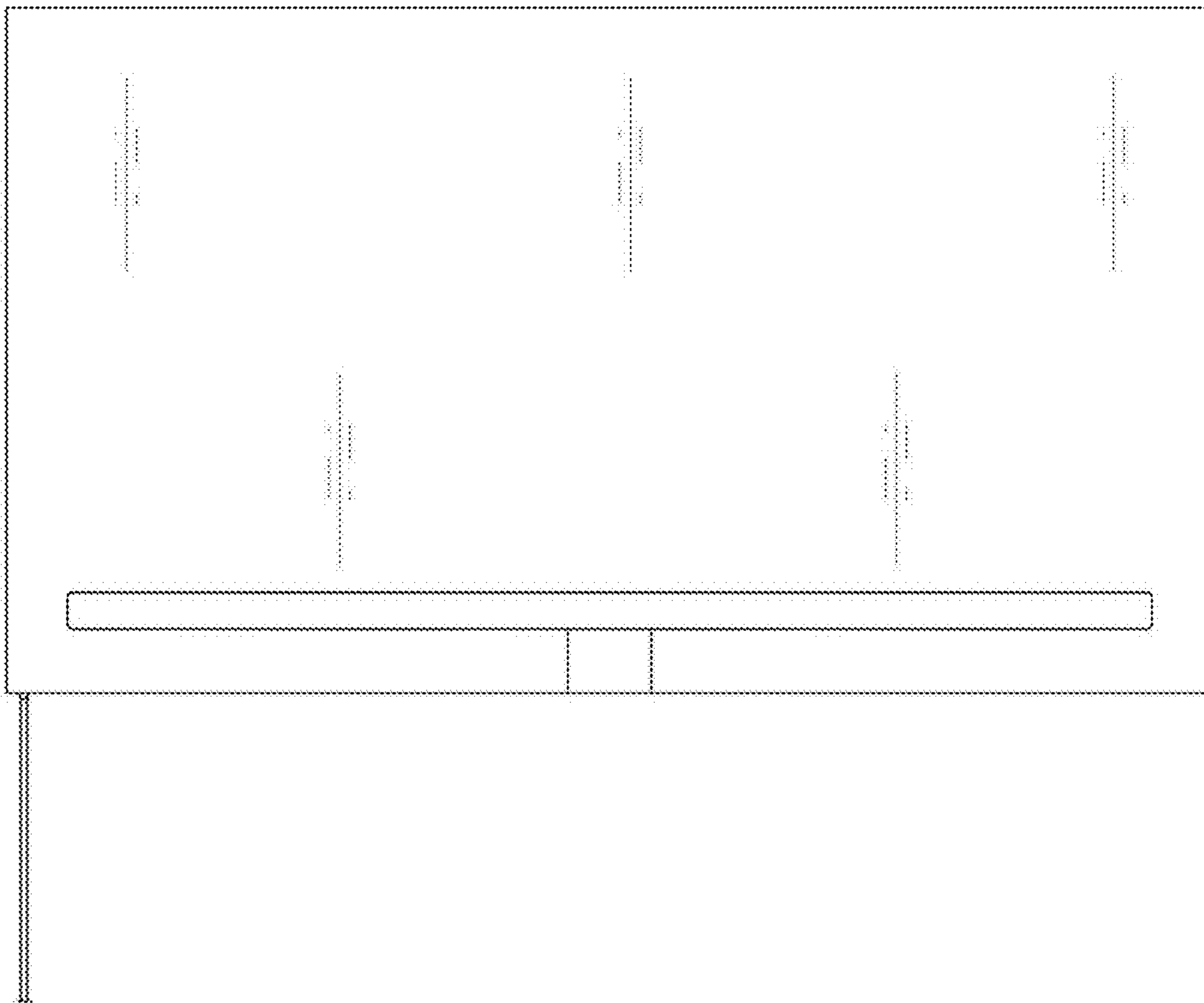
1.1



1.2



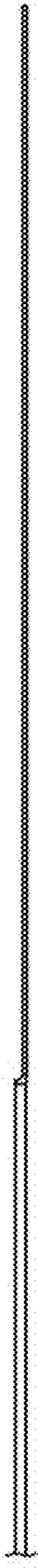
1.3



1.4



1.5



**1.6**

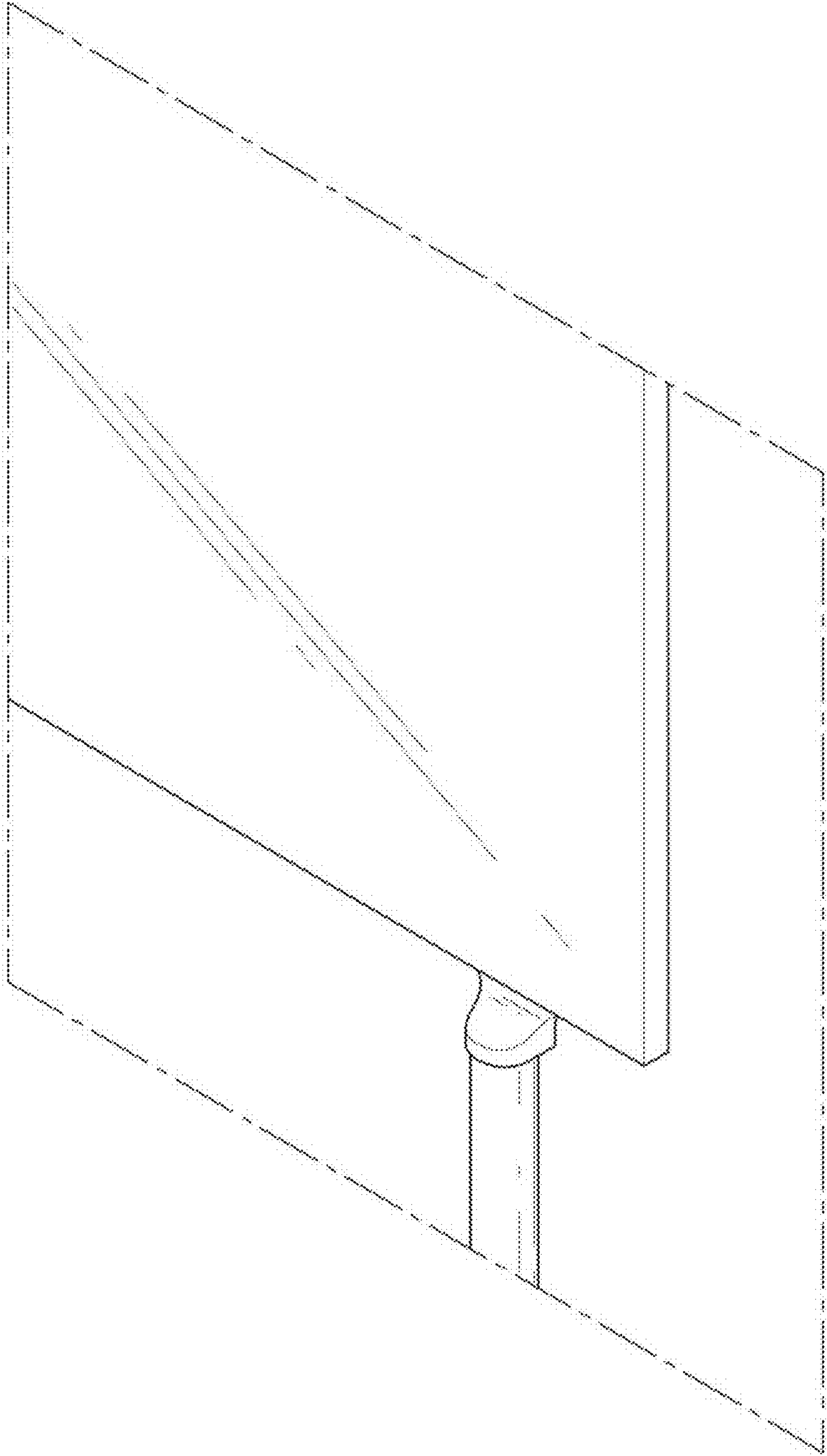
---



**1.7**

---

1.8



1.9

