



US00D819588S

(12) **United States Design Patent**  
**Ryu et al.**

(10) **Patent No.:** **US D819,588 S**

(45) **Date of Patent:** **\*\* \*Jun. 5, 2018**

(54) **TV RECEIVER**

CPC ... G06F 1/1601; G06F 1/1643; H05K 5/0004;  
H05K 5/0017; H05K 5/02; H05K 5/0217  
See application file for complete search history.

(71) Applicant: **LG ELECTRONICS INC.**, Seoul  
(KR)

(72) Inventors: **Junghan Ryu**, Seoul (KR); **Sehdong Yoo**, Seoul (KR); **Bodeung Hwang**, Seoul (KR); **Yoonui Chong**, Seoul (KR); **Yongseok Kim**, Seoul (KR); **Seonkyu Kim**, Seoul (KR)

(73) Assignee: **LG ELECTRONICS INC.**, Seoul  
(KR)

(\*) Notice: This patent is subject to a terminal disclaimer.

(\*\*) Term: **15 Years**

(21) Appl. No.: **35/501,874**

(22) Filed: **May 11, 2016**

(80) **Hague Agreement Data**

Int. Filing Date: **May 11, 2016**  
Int. Reg. No.: **DM/092592**  
Int. Reg. Date: **May 11, 2016**  
Int. Reg. Pub. Date: **Nov. 11, 2016**

(30) **Foreign Application Priority Data**

Nov. 13, 2015 (KR) ..... 30-2015-0057337

(51) **LOC (11) Cl.** ..... **14-03**

(52) **U.S. Cl.**  
USPC ..... **D14/126**

(58) **Field of Classification Search**  
USPC ..... D14/126, 127, 128, 336, 448

(56) **References Cited**

U.S. PATENT DOCUMENTS

D692,403	S	*	10/2013	Takami	.....	D14/126
D700,586	S	*	3/2014	Kim	.....	D14/126
D703,168	S	*	4/2014	Won	.....	D14/126
D714,238	S	*	9/2014	Kim	.....	D14/126
D719,119	S	*	12/2014	Park	.....	D14/126
D720,315	S	*	12/2014	Kim	.....	D14/126
D722,033	S	*	2/2015	Kim	.....	D14/126

(Continued)

*Primary Examiner* — Michael A. Pratt

(74) *Attorney, Agent, or Firm* — Birch, Stewart, Kolasch & Birch, LLP

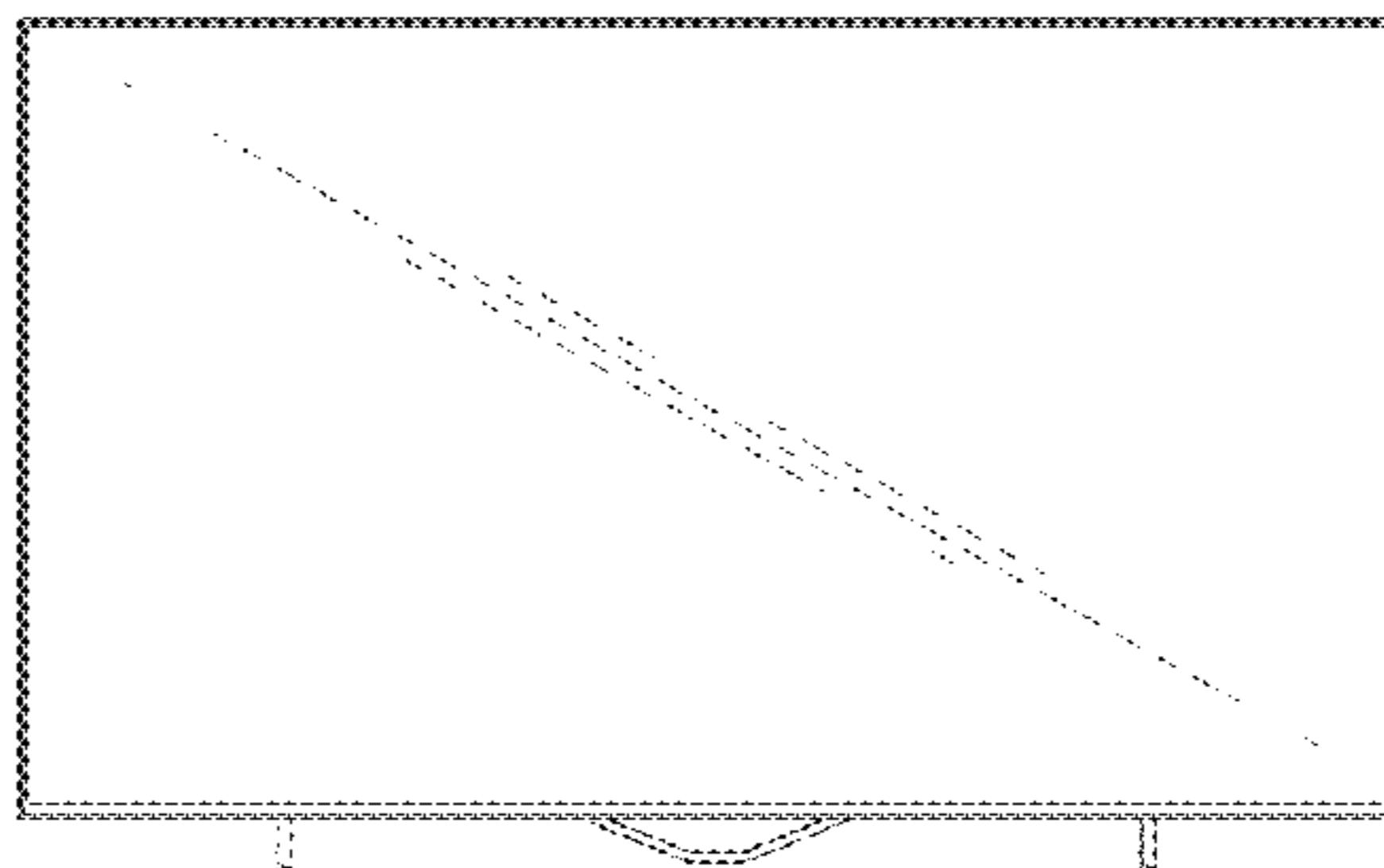
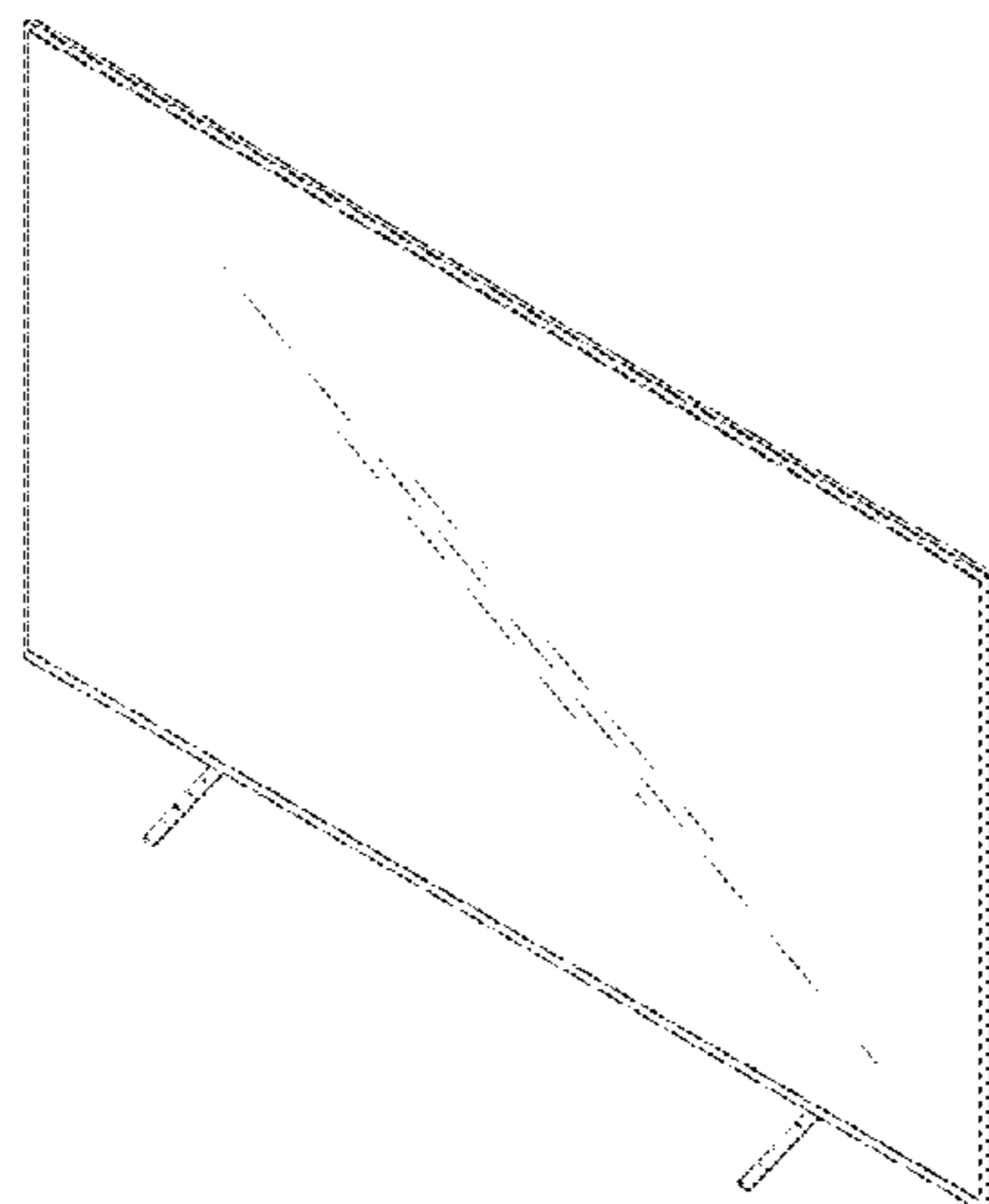
(57) **CLAIM**

The ornamental design for a TV receiver, as shown and described.

**DESCRIPTION**

1. TV receiver
- 1.1 : Perspective
- 1.2 : Rear perspective view
- 1.3 : Front
- 1.4 : Back
- 1.5 : Left
- 1.6 : Right
- 1.7 : Top
- 1.8 : Bottom
- 1.9 : Perspective
- 1.10 : Rear perspective view
- 1.11 : Front
- 1.12 : Back
- 1.13 : Left
- 1.14 : Right
- 1.15 : Top
- 1.16 : Bottom
- 1.17 : Reference

(Continued)



The broken lines shown in figures 1.2, 1.4, 1.5, 1.8, 1.10, 1.12, 1.13 and 1.16 indicate portions of the TV receiver that do not form a part of the claimed design. The broken lines shown in figure 1.17 are for the purpose of illustrating environment and form no part of the claimed design.

**1 Claim, 17 Drawing Sheets**

(56)

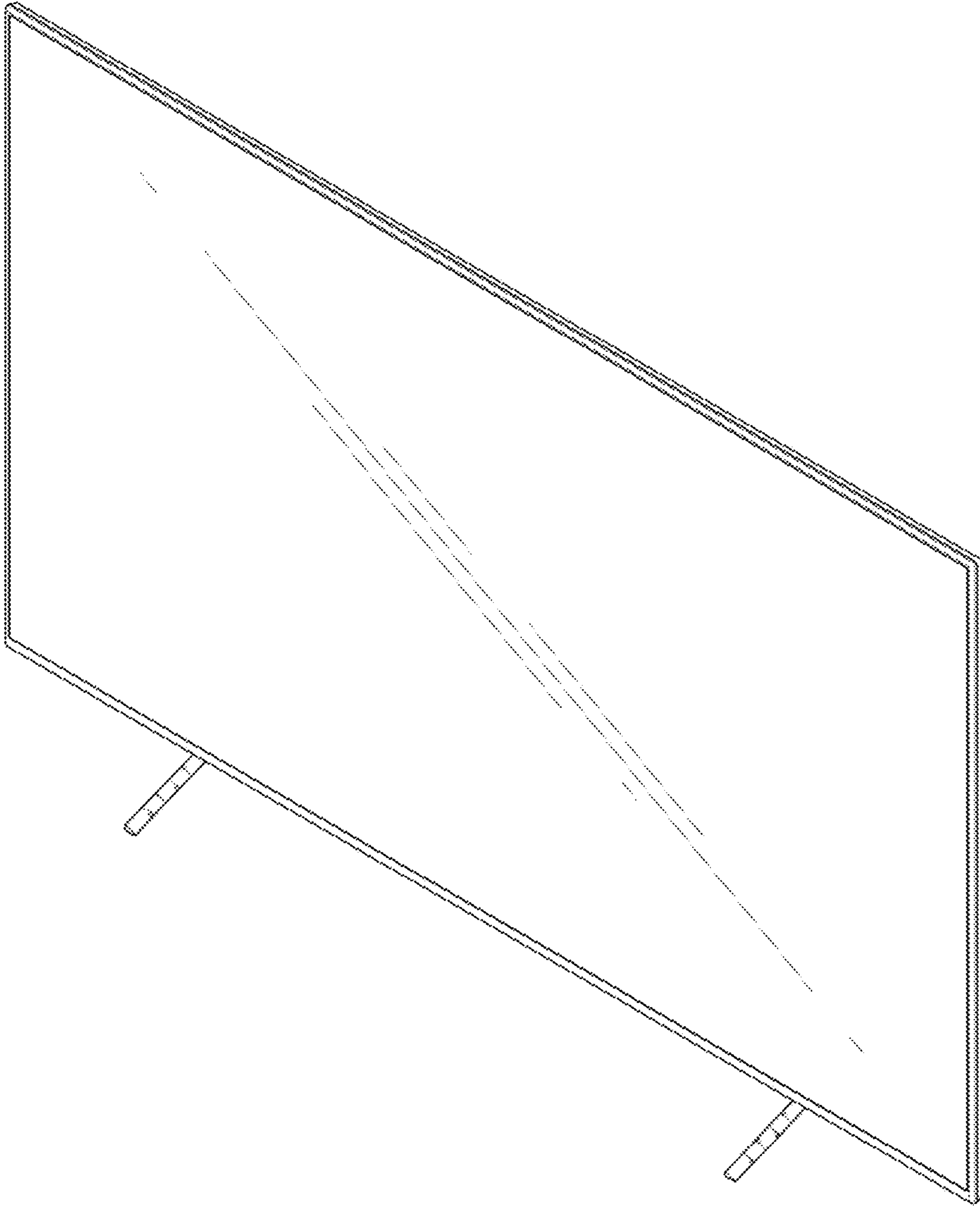
**References Cited**

U.S. PATENT DOCUMENTS

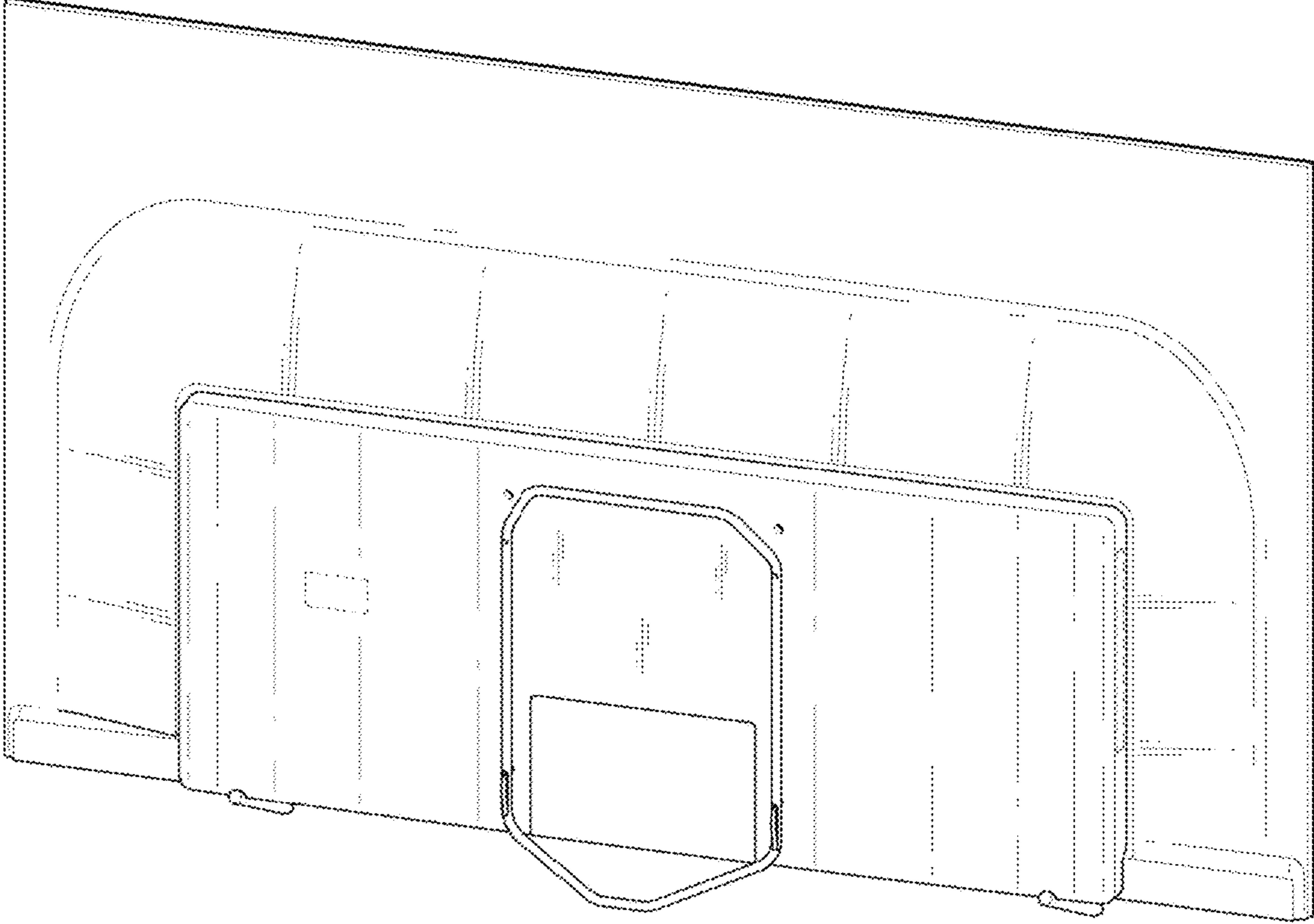
D722,989 S *	2/2015	Park .....	D14/126
D733,082 S *	6/2015	Hwangbo .....	D14/126
D748,596 S *	2/2016	McManigal .....	D14/126
D751,519 S *	3/2016	Ma .....	D14/126
D754,086 S *	4/2016	Valeur .....	D14/126
D755,140 S *	5/2016	Kim .....	D14/126
D756,945 S *	5/2016	Kim .....	D14/126
D768,100 S *	10/2016	Seo .....	D14/126
D772,830 S *	11/2016	Kim .....	D14/126
D773,419 S *	12/2016	Han .....	D14/126
D774,484 S *	12/2016	Han .....	D14/126
D775,094 S *	12/2016	Kim .....	D14/126
D778,854 S *	2/2017	Lee .....	D14/126
D778,855 S *	2/2017	Lee .....	D14/126
D780,140 S *	2/2017	Kim .....	D14/126
D782,991 S *	4/2017	Kim .....	D14/126
D785,581 S *	5/2017	McManigal .....	D14/126
D786,813 S *	5/2017	McManigal .....	D14/126
D787,462 S *	5/2017	Shiono .....	D14/126
D790,493 S *	6/2017	Han .....	D14/126
D792,361 S *	7/2017	Han .....	D14/126

\* cited by examiner

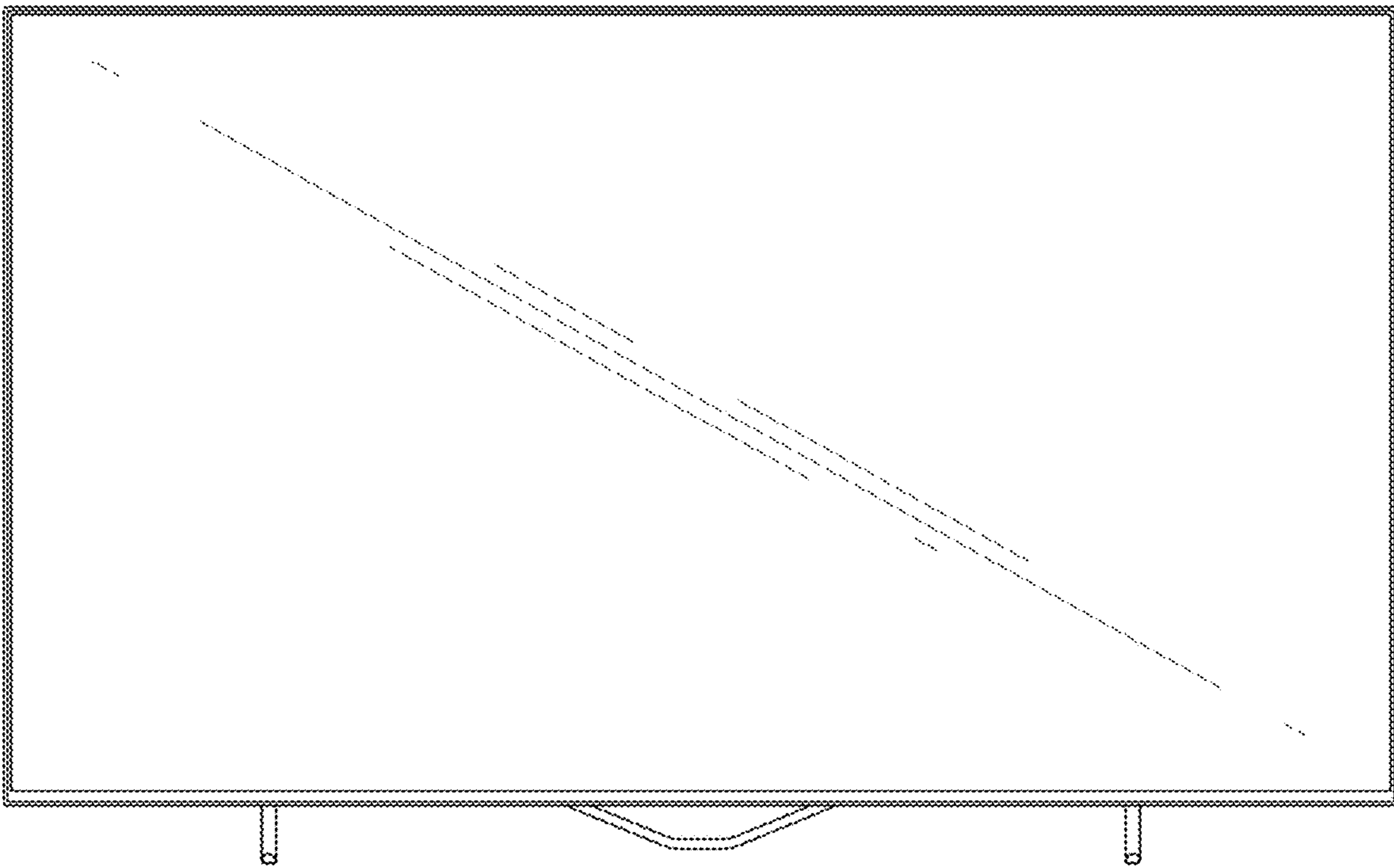
1.1



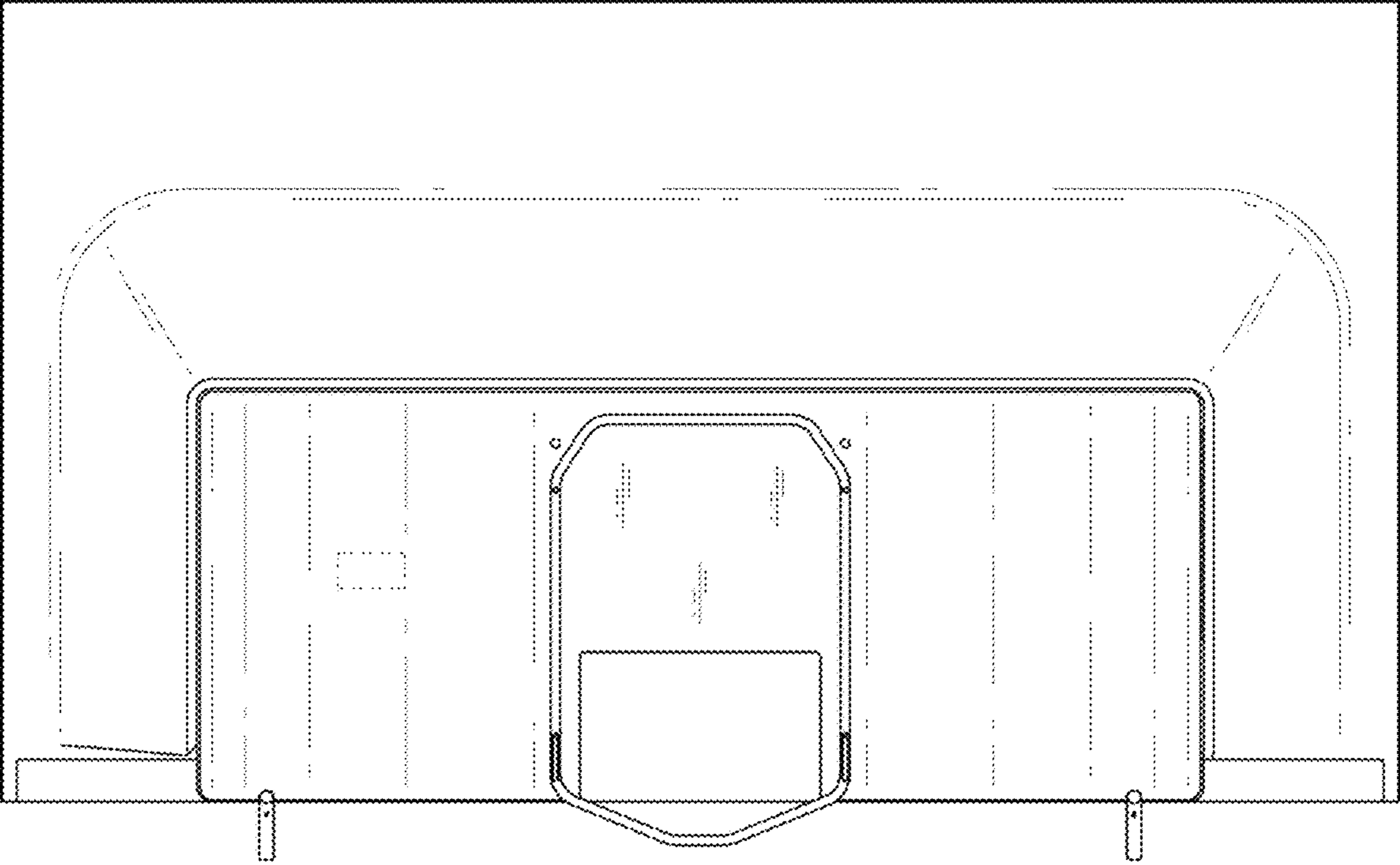
1.2



1.3

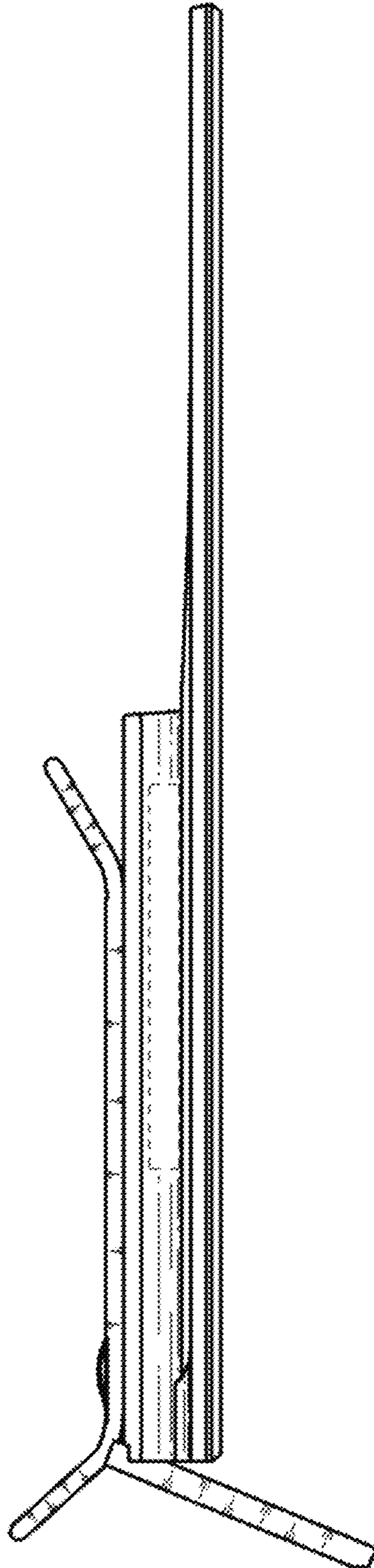


1.4

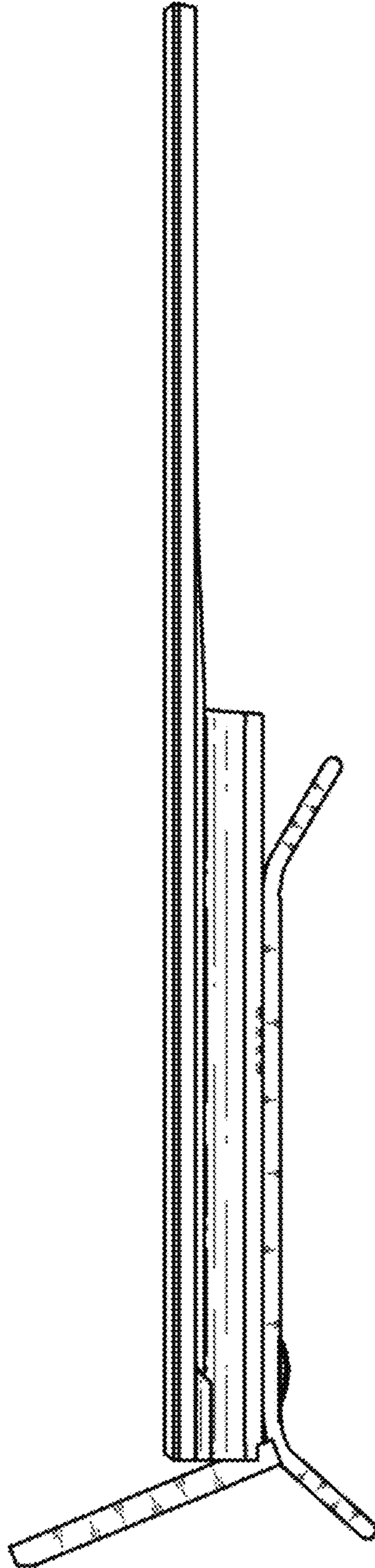




1.5

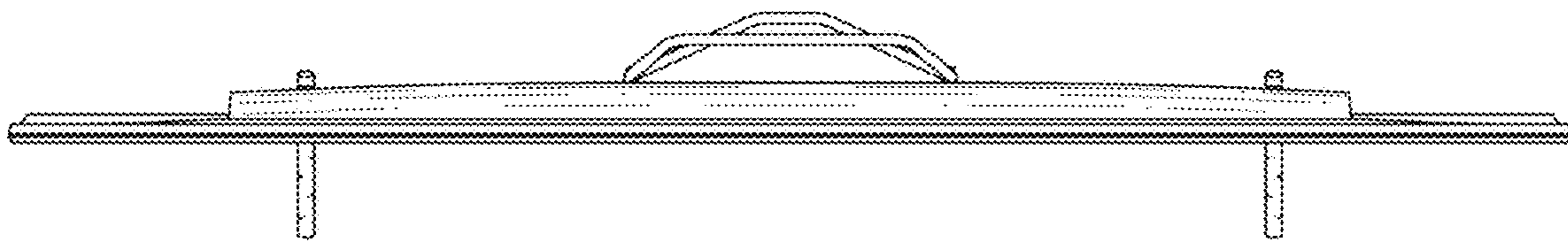


1.6

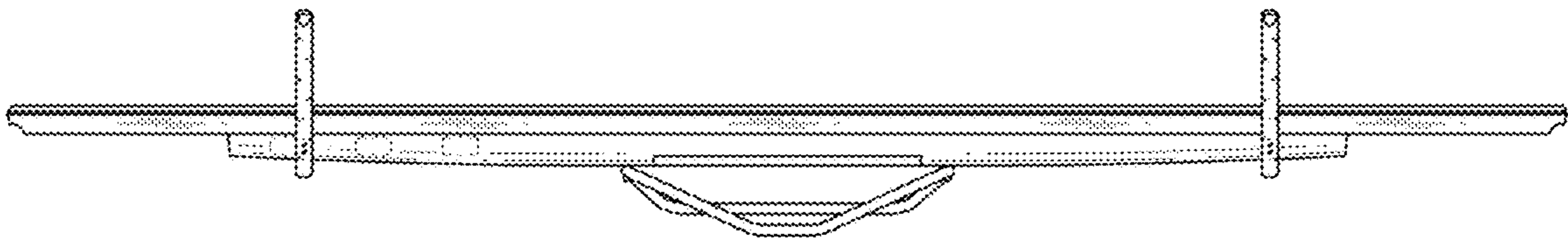




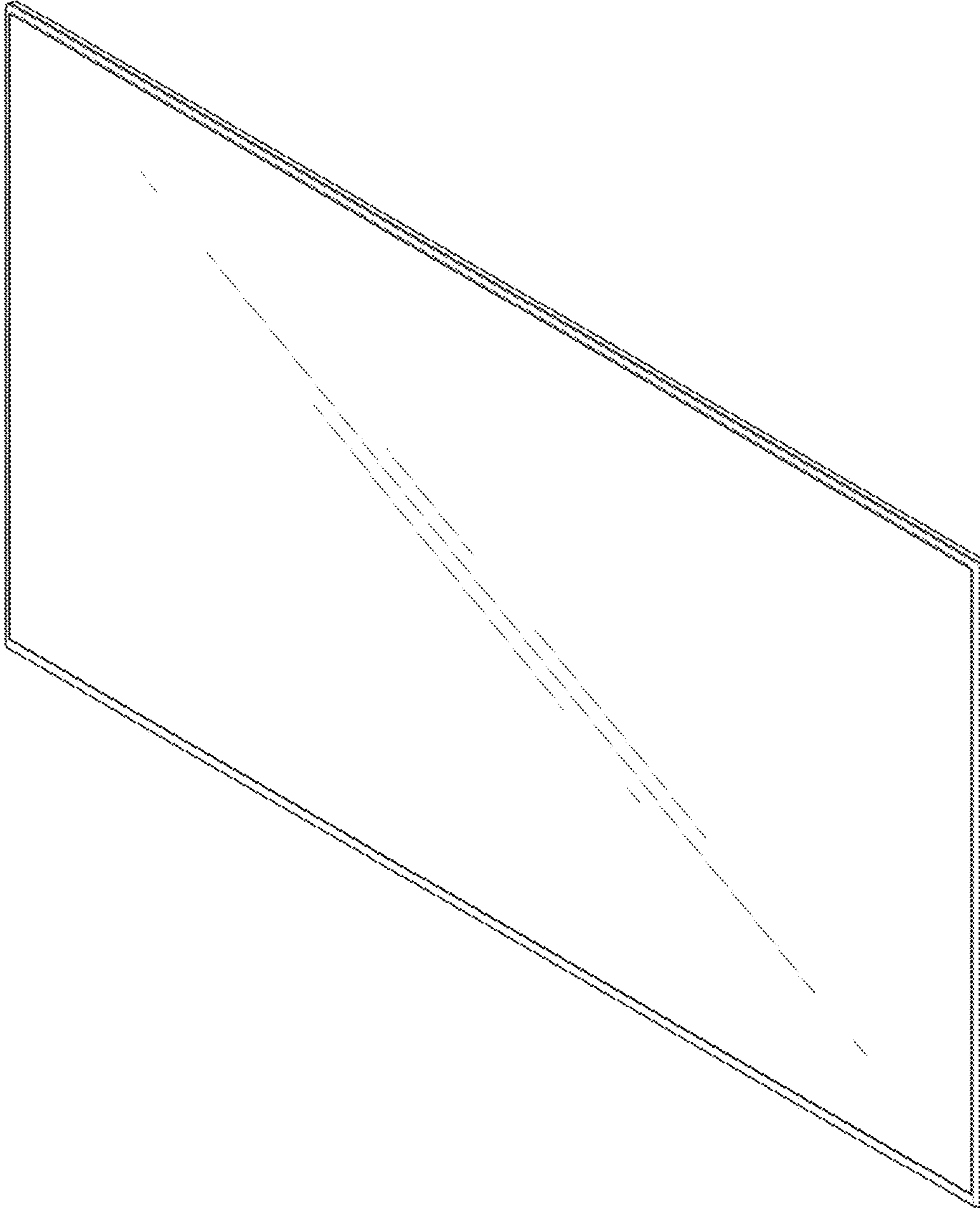
1.7



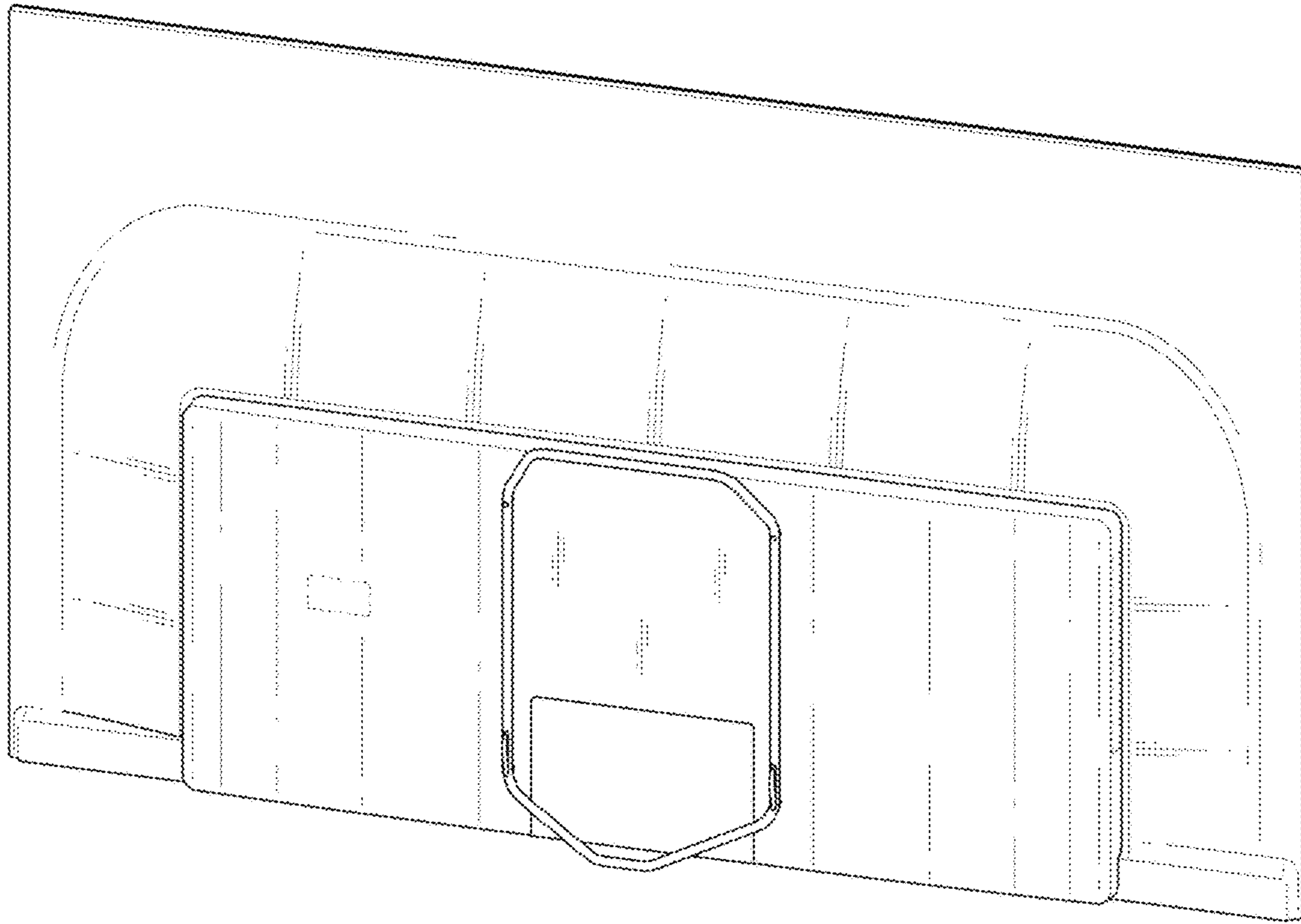
1.8



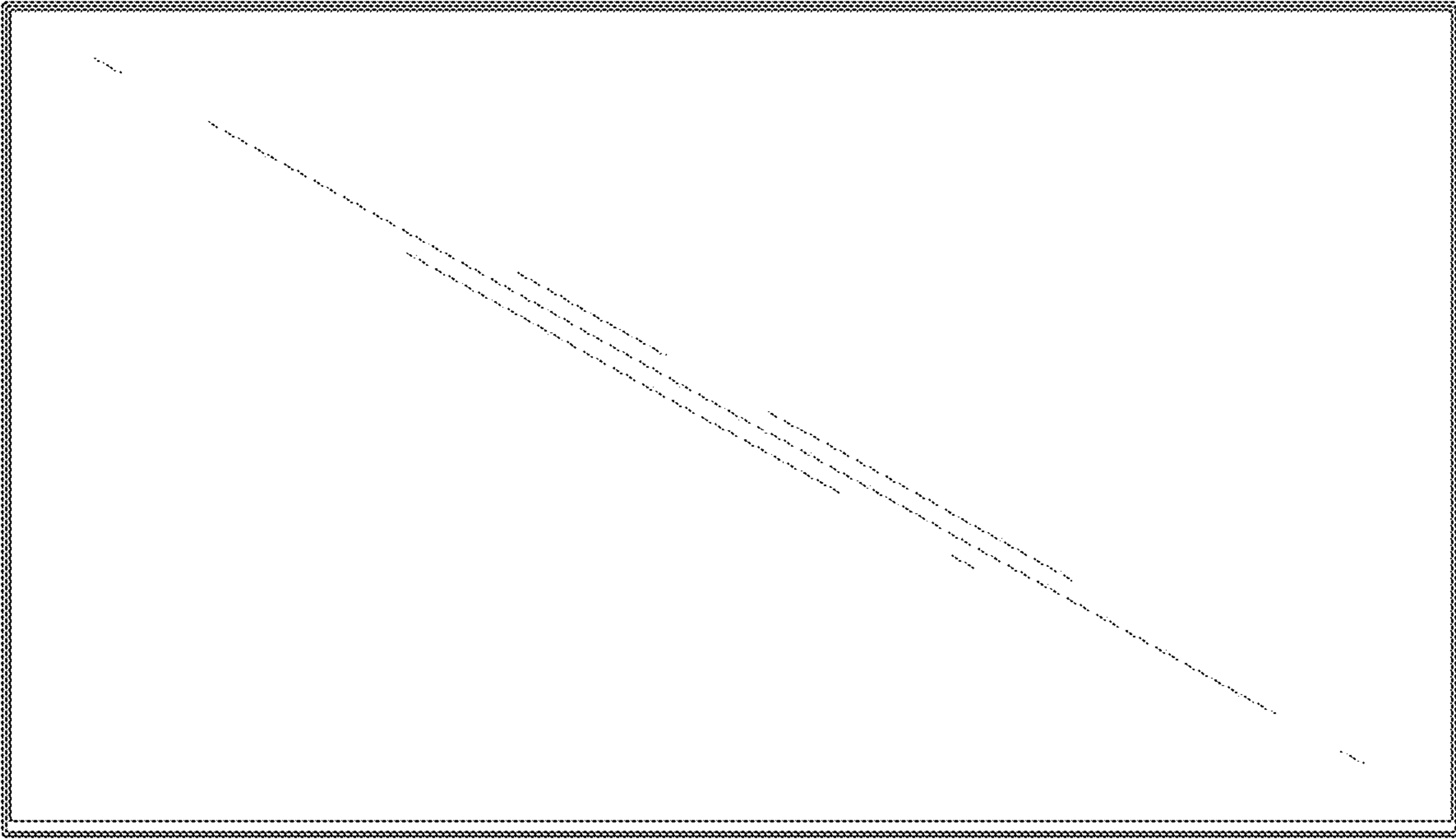
1.9



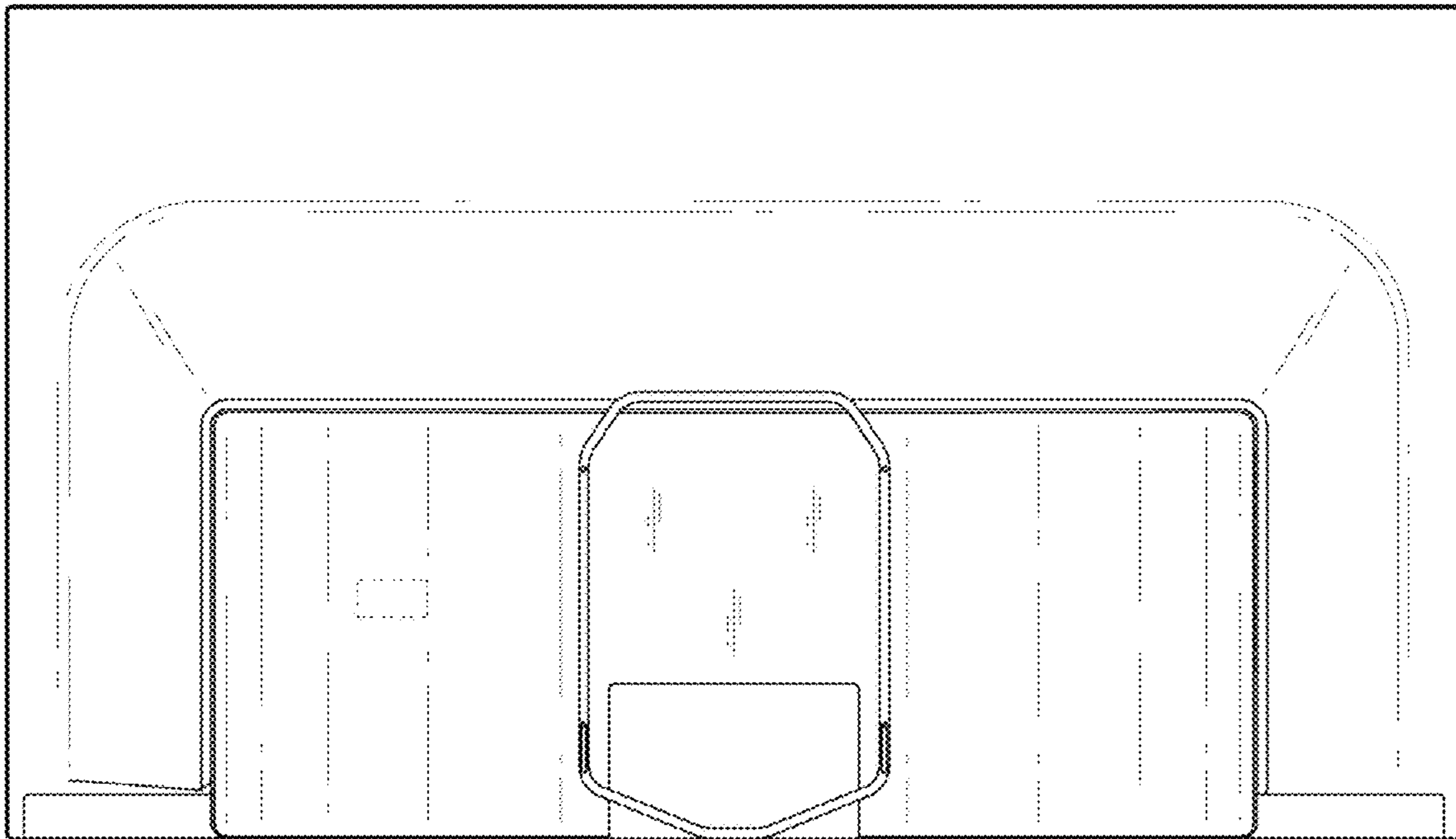
1.10



1.11

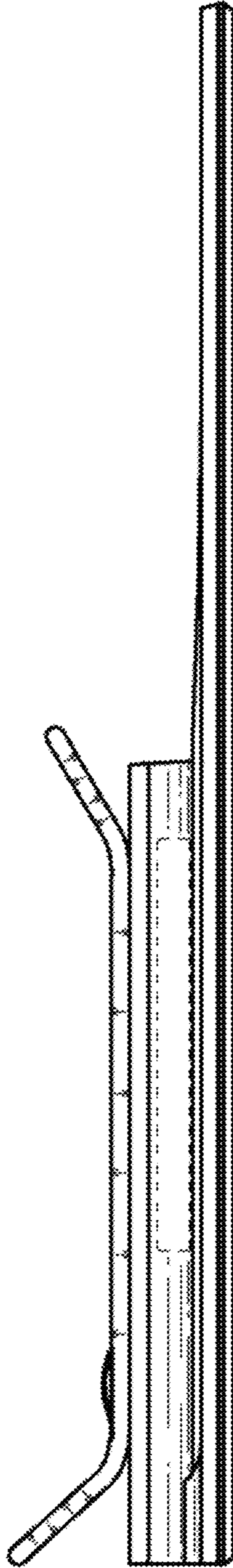


1.12

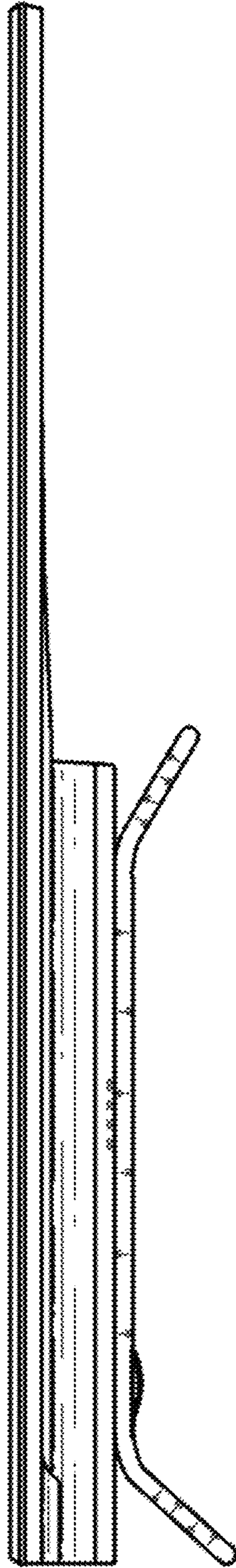




1.13



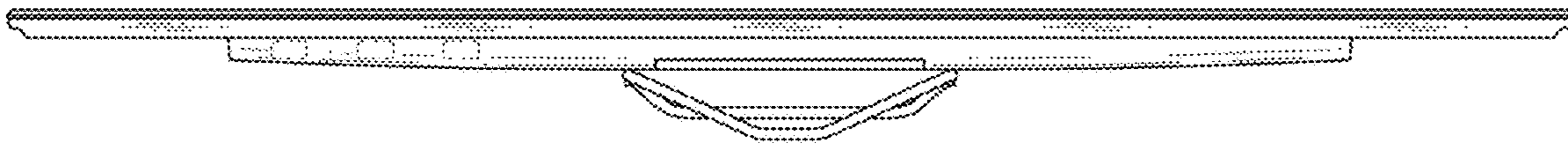
1.14



1.15



1.16



1.17

