



US00D819587S

(12) **United States Design Patent**  
**Kim et al.**

(10) **Patent No.:** **US D819,587 S**  
(45) **Date of Patent:** **\*\* Jun. 5, 2018**

(54) **TV RECEIVER**  
(71) Applicant: **LG ELECTRONICS INC.**, Seoul (KR)  
(72) Inventors: **Yooseok Kim**, Seoul (KR); **Jongyoun Shin**, Seoul (KR); **Sunha Park**, Seoul (KR); **Younsoo Kim**, Seoul (KR); **Byungmu Huh**, Seoul (KR)  
(73) Assignee: **LG ELECTRONICS INC.**, Seoul (KR)  
(\*\*) Term: **15 Years**

D703,168 S \* 4/2014 Won ..... D14/126  
D714,238 S \* 9/2014 Kim ..... D14/126  
D719,119 S \* 12/2014 Park ..... D14/126  
D720,315 S \* 12/2014 Kim ..... D14/126  
D722,033 S \* 2/2015 Kim ..... D14/126  
D722,989 S \* 2/2015 Park ..... D14/126  
D733,082 S \* 6/2015 Hwangbo ..... D14/126  
D748,596 S \* 2/2016 McManigal ..... D14/126  
D751,519 S \* 3/2016 Ma ..... D14/126  
D754,086 S \* 4/2016 Valeur ..... D14/126  
D755,140 S \* 5/2016 Kim ..... D14/126  
D756,945 S \* 5/2016 Kim ..... D14/126  
D768,100 S \* 10/2016 Seo ..... D14/126  
D772,830 S \* 11/2016 Kim ..... D14/126  
D773,419 S \* 12/2016 Han ..... D14/126  
D774,484 S \* 12/2016 Han ..... D14/126  
D775,094 S \* 12/2016 Kim ..... D14/126

(21) Appl. No.: **35/501,864**

(22) Filed: **May 11, 2016**

(80) **Hague Agreement Data**

Int. Filing Date: **May 11, 2016**  
Int. Reg. No.: **DM/092053**  
Int. Reg. Date: **May 11, 2016**  
Int. Reg. Pub. Date: **Nov. 11, 2016**

(30) **Foreign Application Priority Data**

Nov. 13, 2015 (KR) ..... 30-2015-0057392

(51) **LOC (11) Cl.** ..... **14-03**

(52) **U.S. Cl.**  
USPC ..... **D14/126**

(58) **Field of Classification Search**  
USPC ..... D14/126, 127, 128, 336, 448  
CPC ... G06F 1/1601; G06F 1/1643; H05K 5/0004;  
H05K 5/0017; H05K 5/02; H05K 5/0217  
See application file for complete search history.

(56) **References Cited**

**U.S. PATENT DOCUMENTS**

D692,403 S \* 10/2013 Takami ..... D14/126  
D700,586 S \* 3/2014 Kim ..... D14/126

(Continued)

*Primary Examiner* — Michael A. Pratt

(74) *Attorney, Agent, or Firm* — Birch, Stewart, Kolasch & Birch, LLP

(57) **CLAIM**

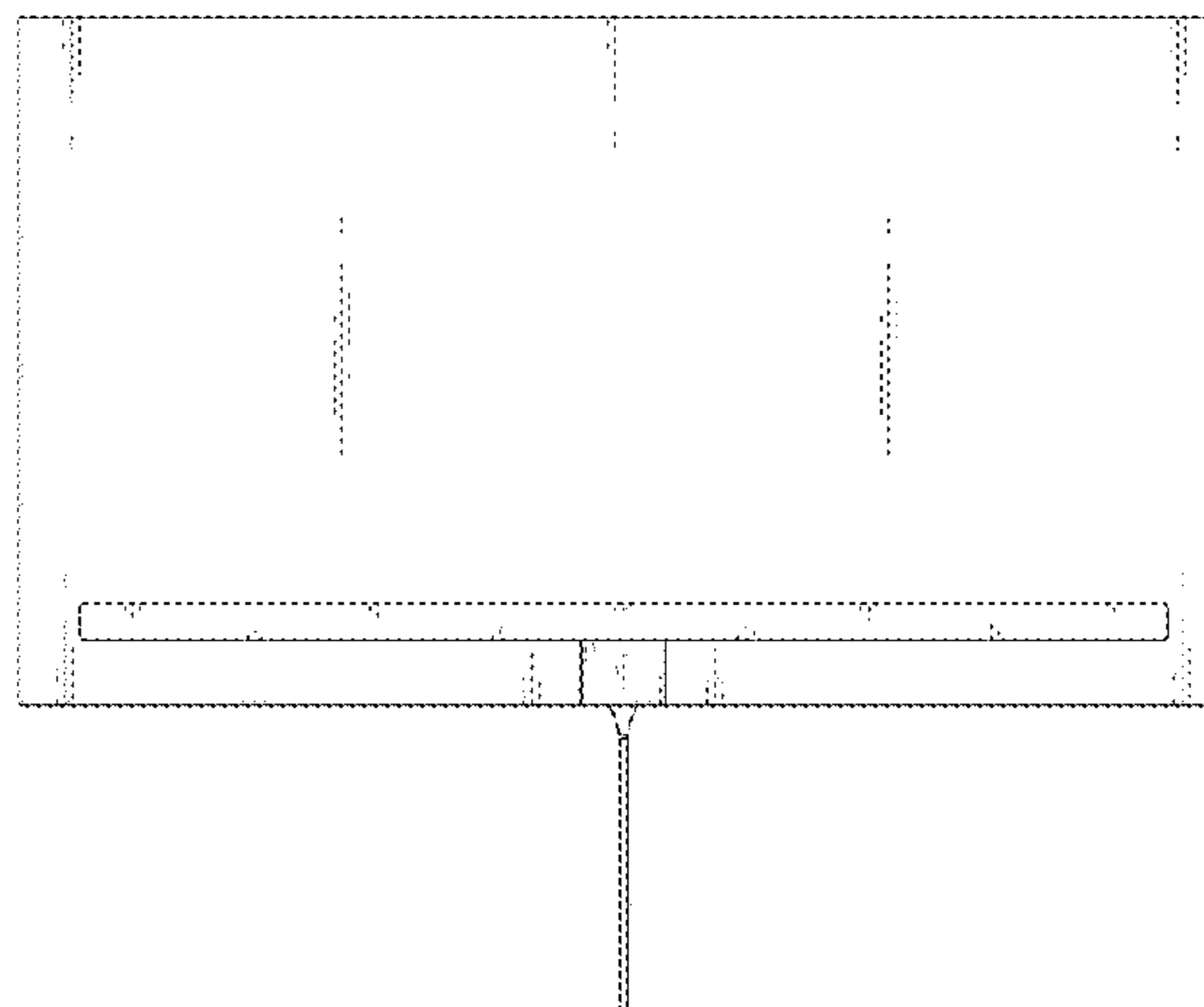
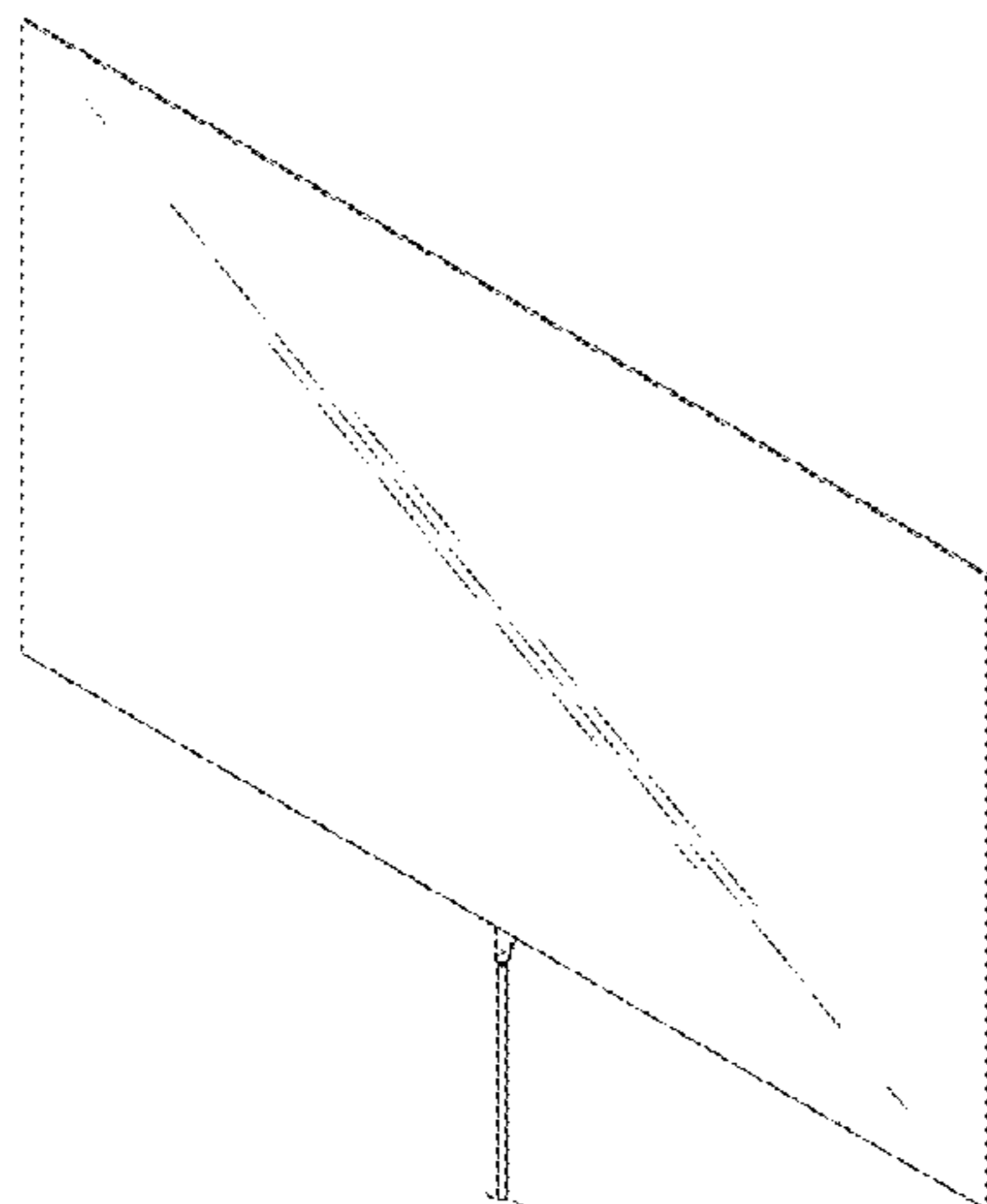
The ornamental design for a TV receiver, as shown and described.

**DESCRIPTION**

- 1. TV receiver
- 1.1 : Perspective
- 1.2 : Front
- 1.3 : Back
- 1.4 : Left
- 1.5 : Right
- 1.6 : Top
- 1.7 : Bottom
- 1.8 : Enlarged
- 1.9 : Reference

The dash-dot broken line of figure 1.8 is included to show a partially enlarged view only and forms no part of the claimed design. The evenly-spaced broken lines shown in figure 1.9 are for the purpose of illustrating environment and form no part of the claimed design.

**1 Claim, 9 Drawing Sheets**



(56)

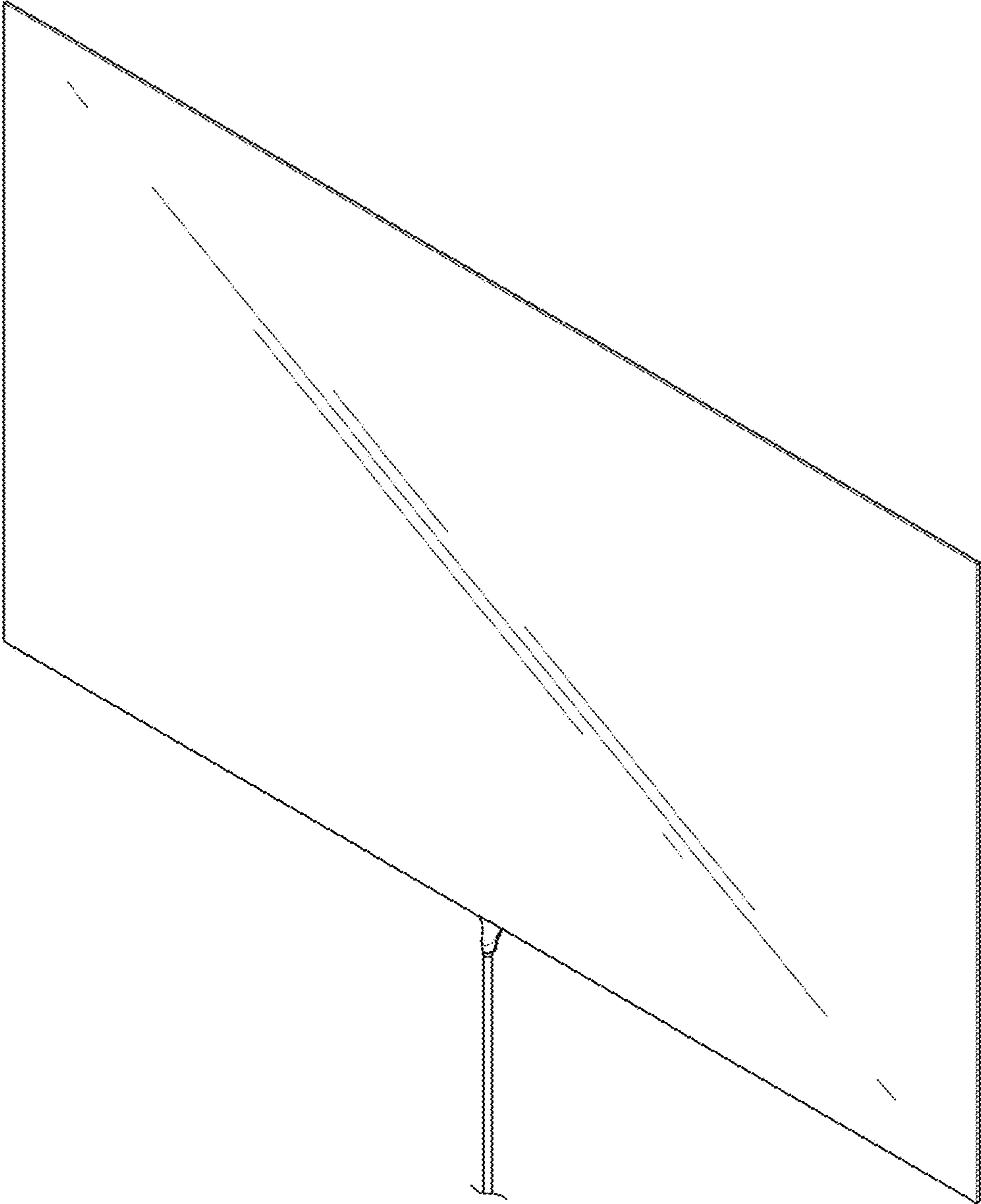
**References Cited**

U.S. PATENT DOCUMENTS

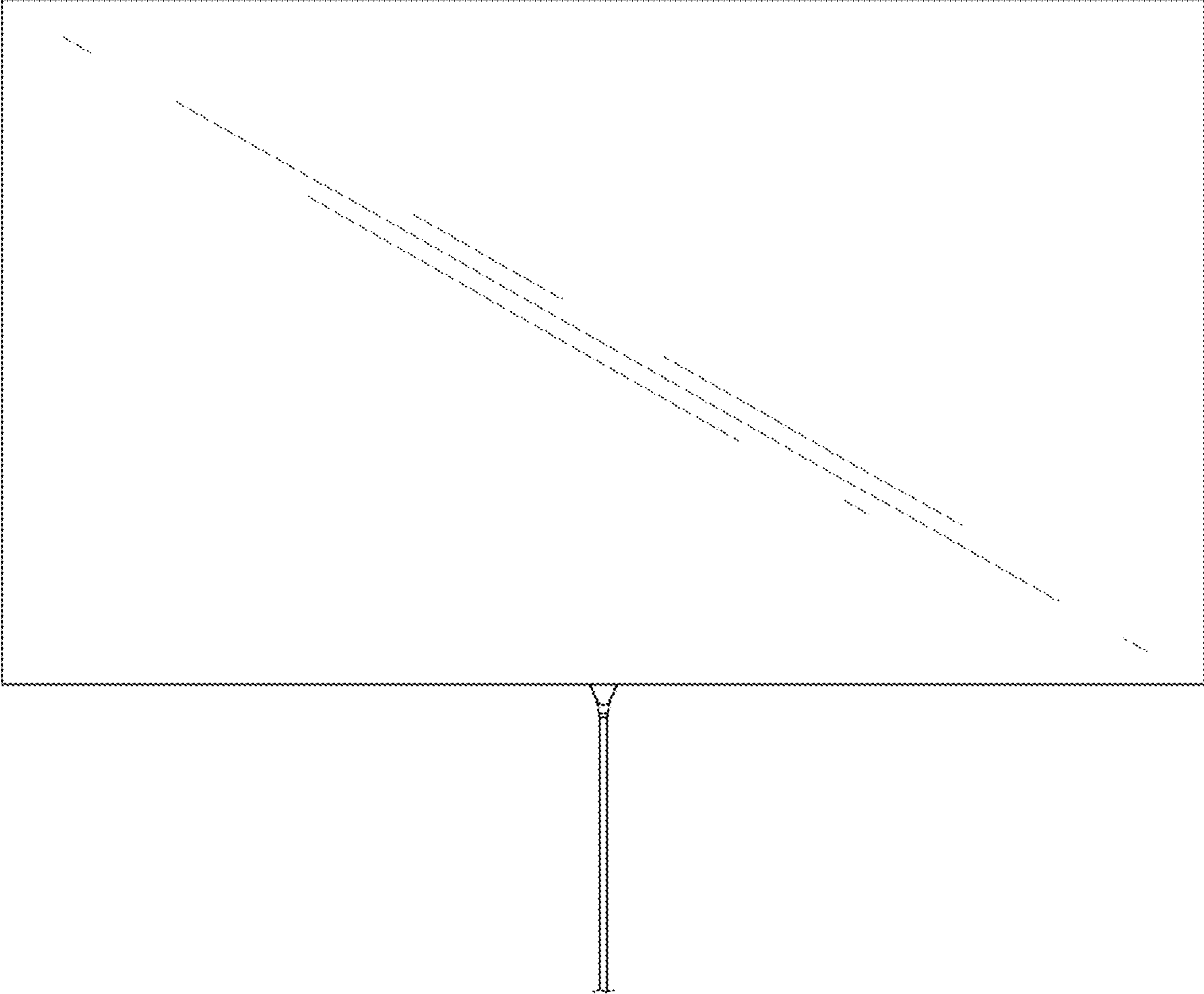
D778,854 S *	2/2017	Lee	.....	D14/126
D778,855 S *	2/2017	Lee	.....	D14/126
D780,140 S *	2/2017	Kim	.....	D14/126
D782,991 S *	4/2017	Kim	.....	D14/126
D785,581 S *	5/2017	McManigal	.....	D14/126
D786,813 S *	5/2017	McManigal	.....	D14/126
D787,462 S *	5/2017	Shiono	.....	D14/126
D790,493 S *	6/2017	Han	.....	D14/126
D792,361 S *	7/2017	Han	.....	D14/126

\* cited by examiner

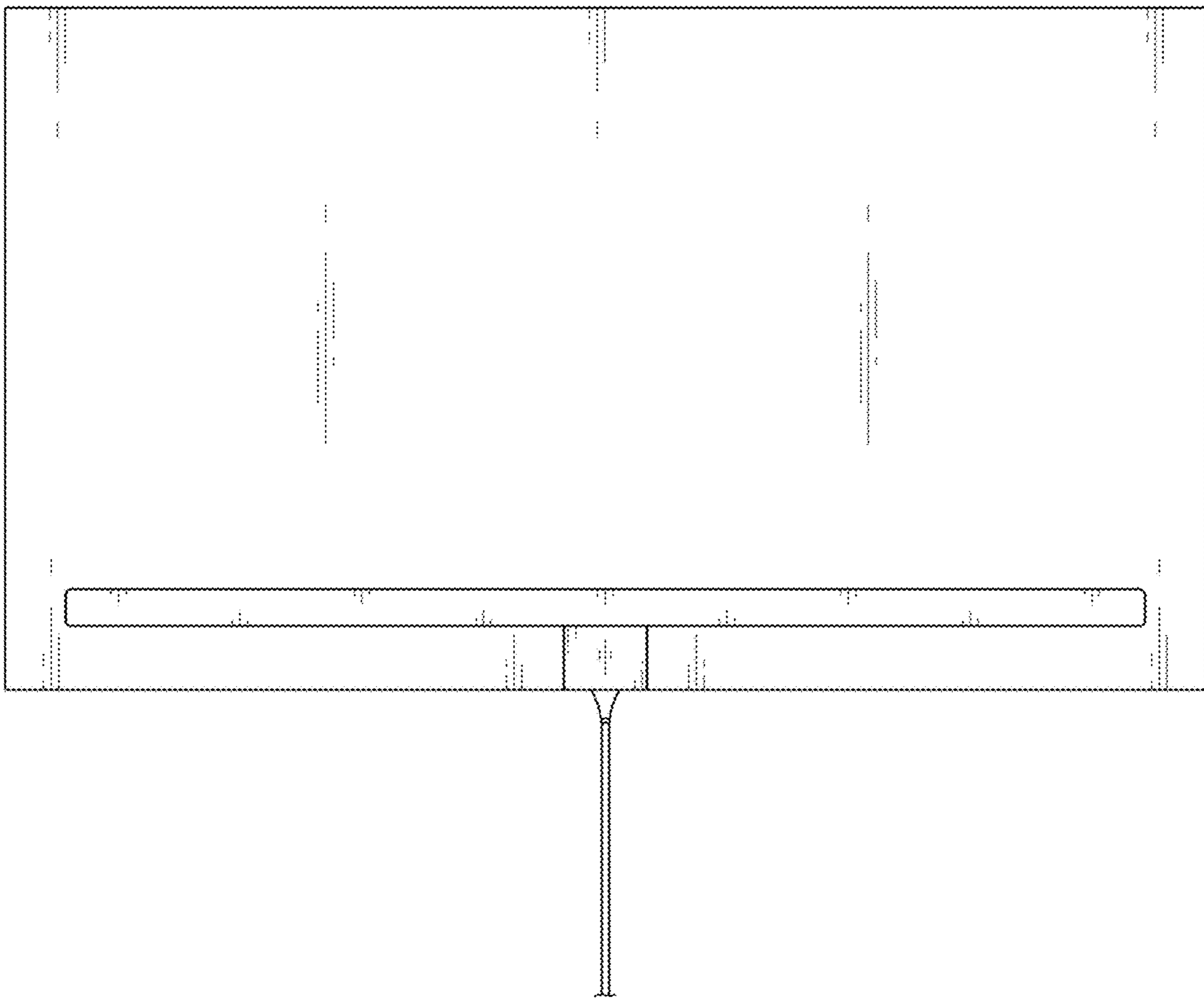
1.1



1.2



L.3



1.4



1.5



**1.6**

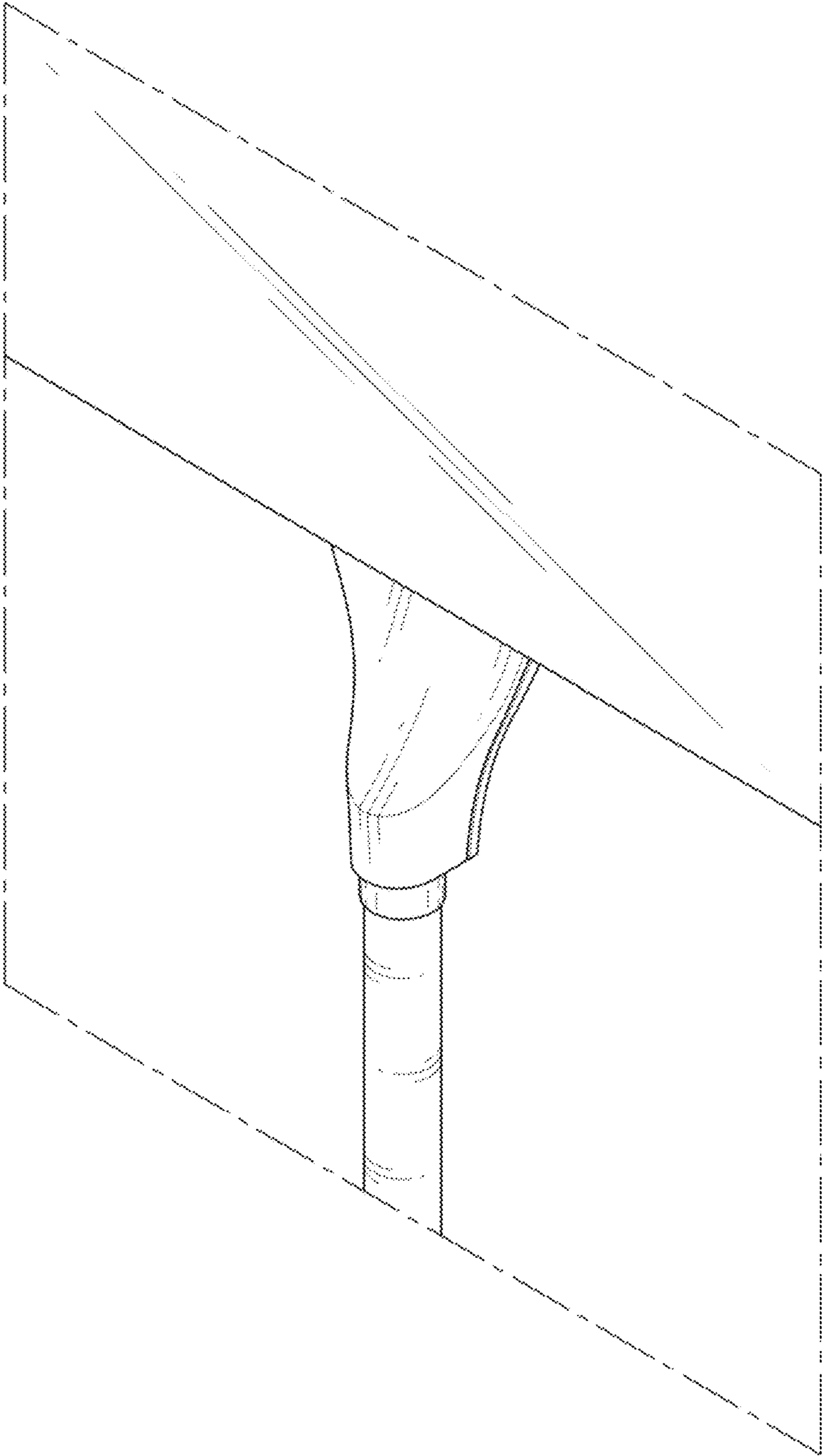
---



**1.7**



1.8



1.9

