



US00D819585S

(12) **United States Design Patent**
Kang et al.

(10) **Patent No.:** **US D819,585 S**
(45) **Date of Patent:** **** Jun. 5, 2018**

(54) **TV RECEIVER**

(71) Applicant: **LG ELECTRONICS INC.**, Seoul (KR)

(72) Inventors: **Seokkyu Kang**, Seoul (KR); **Sangwon Yoon**, Seoul (KR); **Youngwon Jeong**, Seoul (KR); **Gayeong Lee**, Seoul (KR)

(73) Assignee: **LG ELECTRONICS INC.**, Seoul (KR)

(**) Term: **15 Years**

(21) Appl. No.: **35/501,862**

(22) Filed: **May 11, 2016**

(80) **Hague Agreement Data**

Int. Filing Date: **May 11, 2016**
Int. Reg. No.: **DM/091867**
Int. Reg. Date: **May 11, 2016**
Int. Reg. Pub. Date: **Nov. 11, 2016**

(30) **Foreign Application Priority Data**

Nov. 13, 2015 (KR) 30-2015-0057328

(51) **LOC (11) Cl.** **02-01**

(52) **U.S. Cl.**
USPC **D14/126**

(58) **Field of Classification Search**
USPC D14/126, 127, 128, 336, 448
CPC ... G06F 1/1601; G06F 1/1643; H05K 5/0004;
H05K 5/0017; H05K 5/02; H05K 5/0217
See application file for complete search history.

(56) **References Cited**

U.S. PATENT DOCUMENTS

D615,508 S * 5/2010 Kumano D14/126
D635,976 S * 4/2011 Lee D14/374

D657,326 S * 4/2012 Kim D14/126
D661,268 S * 6/2012 Itou D14/126
D692,403 S * 10/2013 Takami D14/126
D699,280 S * 2/2014 Lim D16/241
D722,299 S * 2/2015 Kim D14/126
D725,057 S * 3/2015 Seo D14/126
D782,478 S * 3/2017 Matsumoto D14/374

* cited by examiner

Primary Examiner — Michael A. Pratt

(74) *Attorney, Agent, or Firm* — Birch, Stewart, Kolasch & Birch, LLP

(57) **CLAIM**

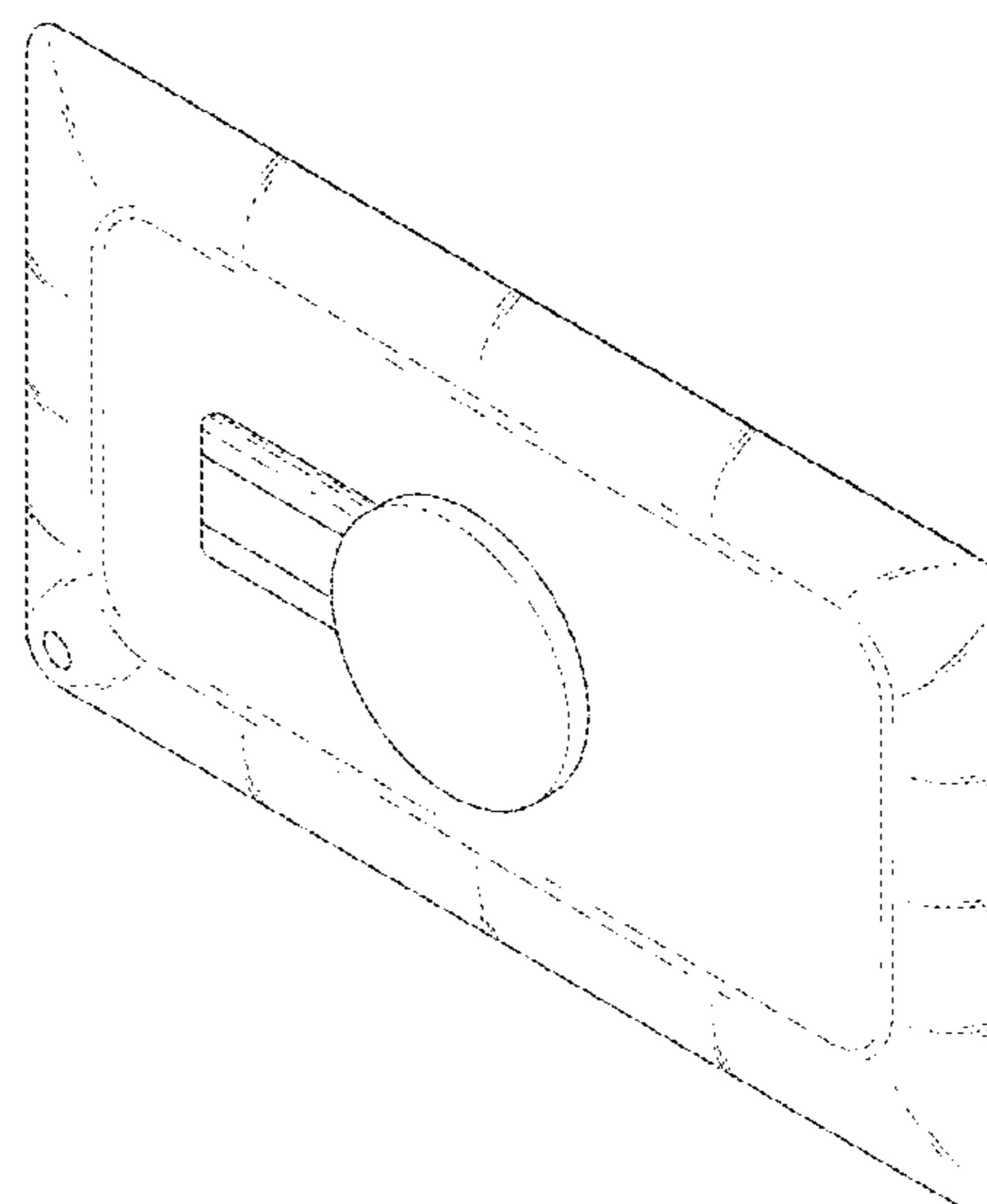
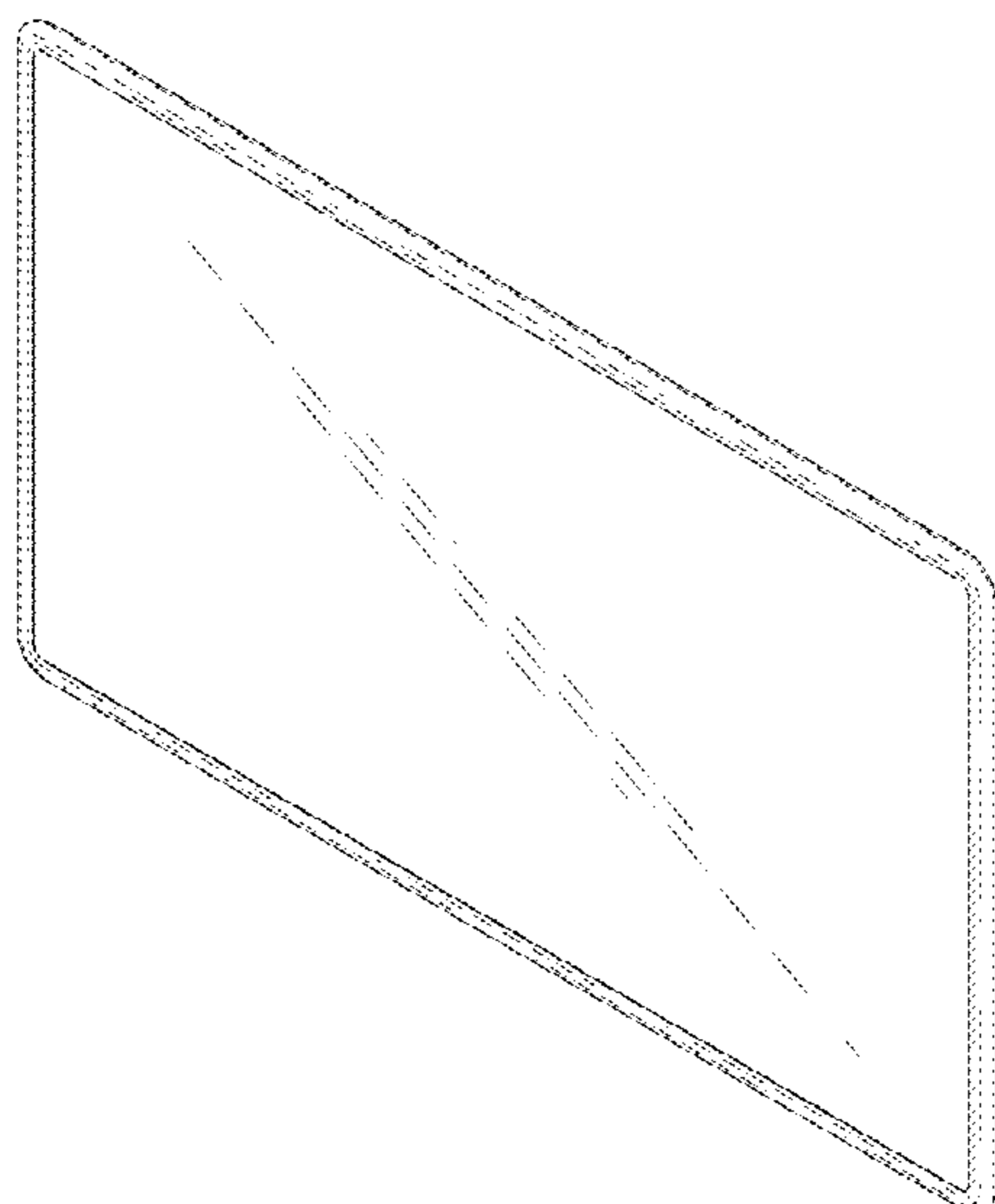
The ornamental design for a TV receiver, as shown and described.

DESCRIPTION

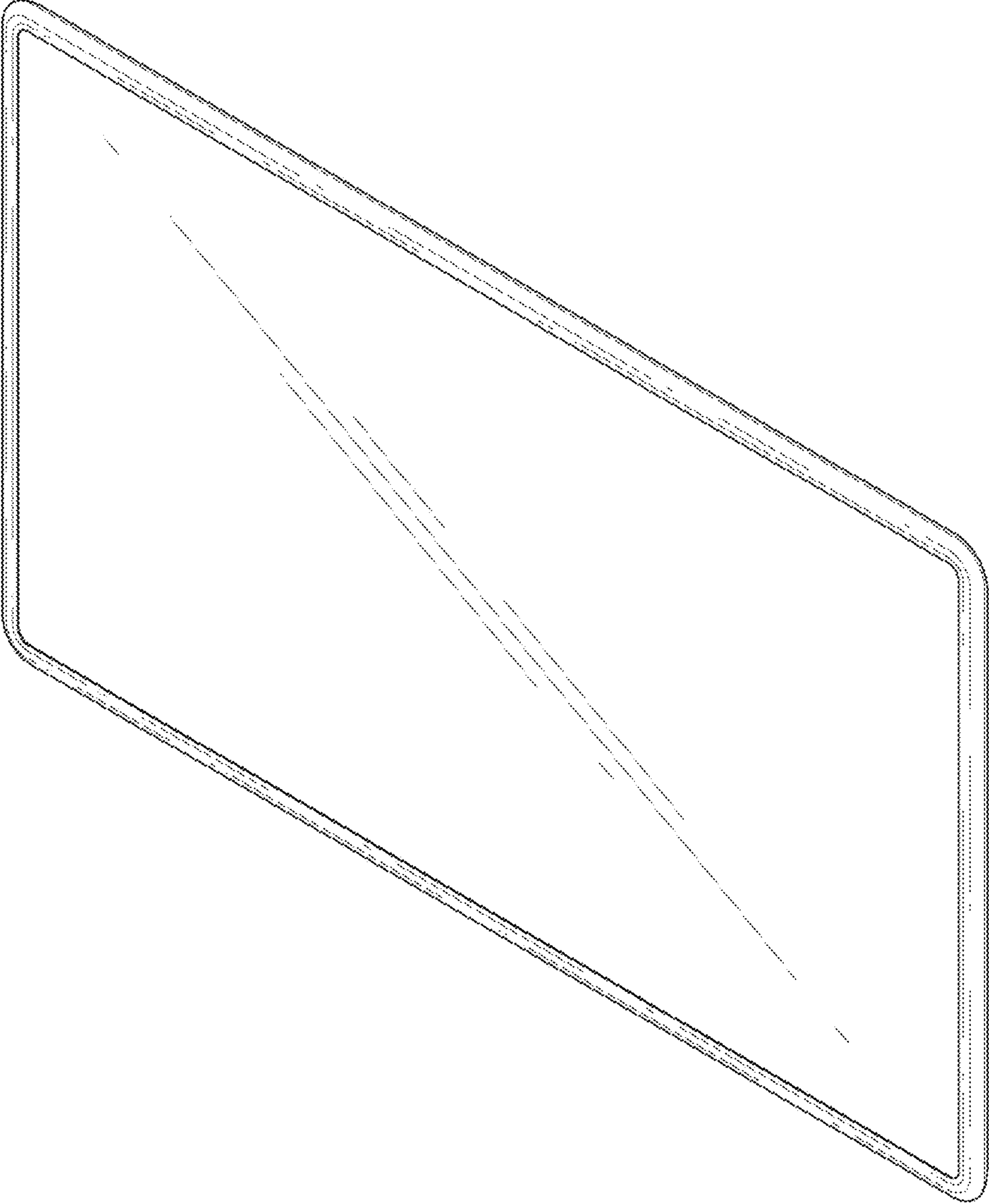
1. TV receiver
- 1.1 : Perspective
- 1.2 : Rear perspective view
- 1.3 : Front
- 1.4 : Back
- 1.5 : Left
- 1.6 : Right
- 1.7 : Top
- 1.8 : Bottom
- 1.9 : Reference
- 1.10 : Perspective
- 1.11 : Rear perspective view
- 1.12 : Front
- 1.13 : Back
- 1.14 : Left
- 1.15 : Right
- 1.16 : Top
- 1.17 : Bottom

The broken lines shown in figure 1.9 are for the purpose of illustrating environment and form no part of the claimed design.

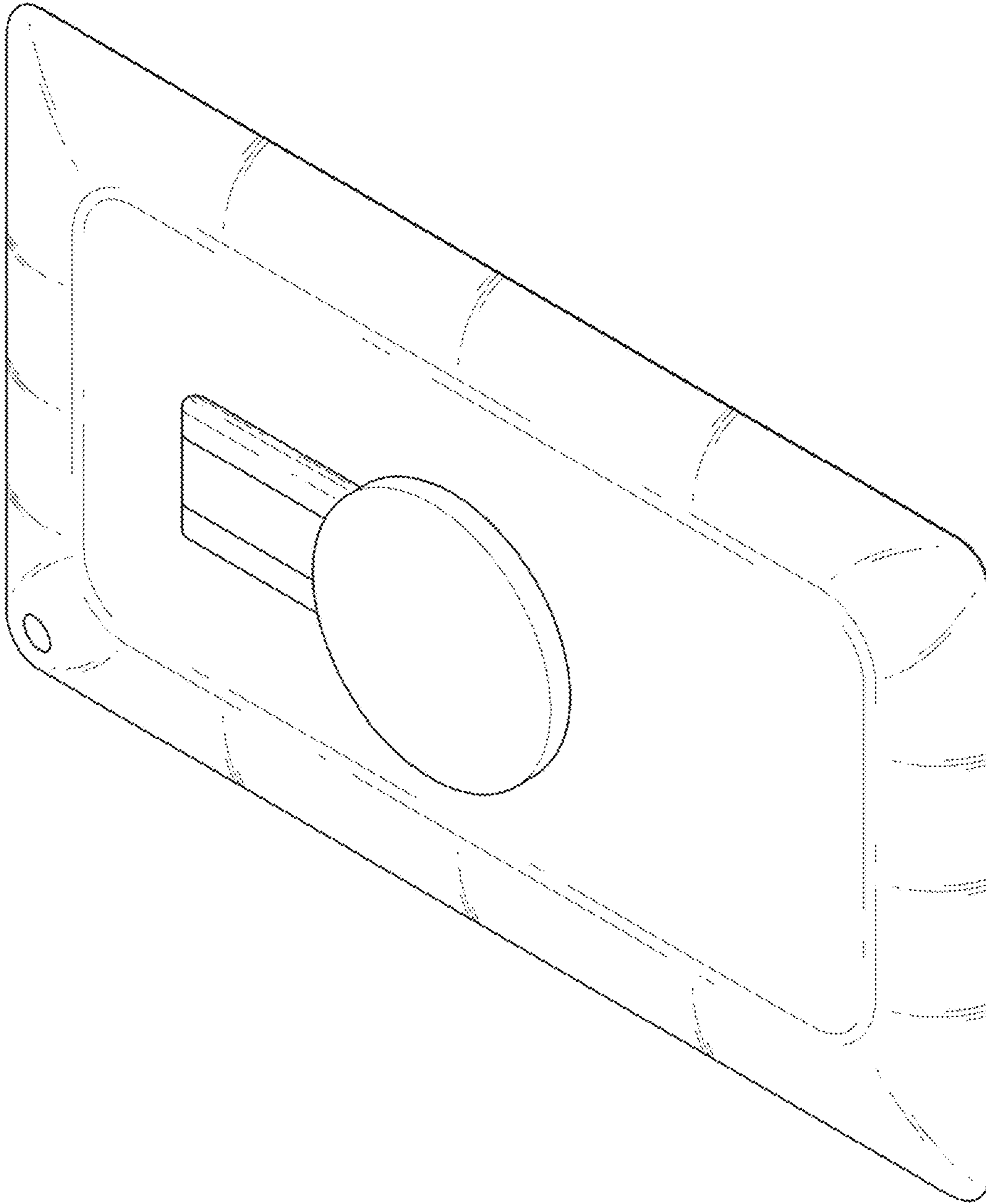
1 Claim, 17 Drawing Sheets



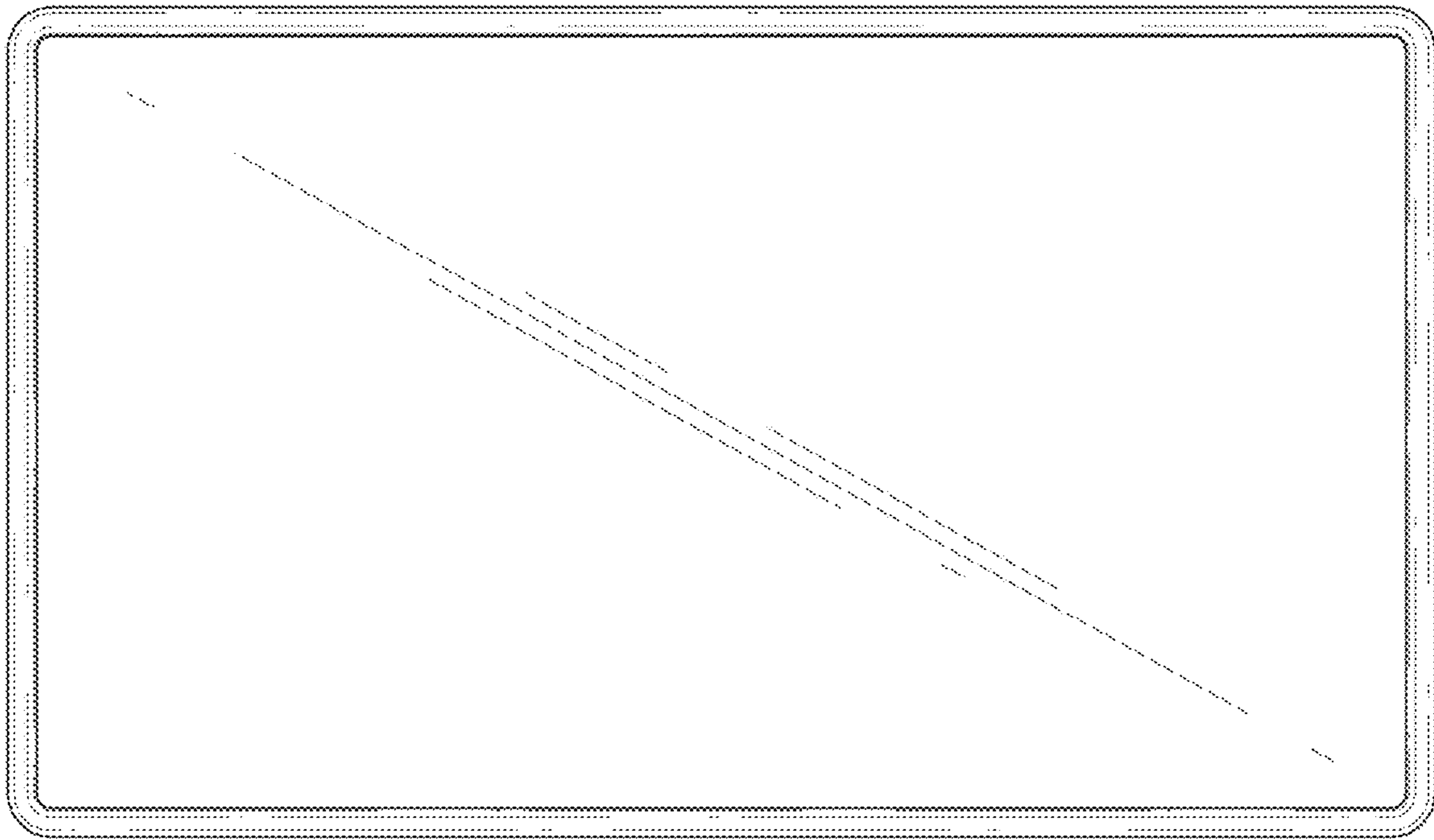
1.1



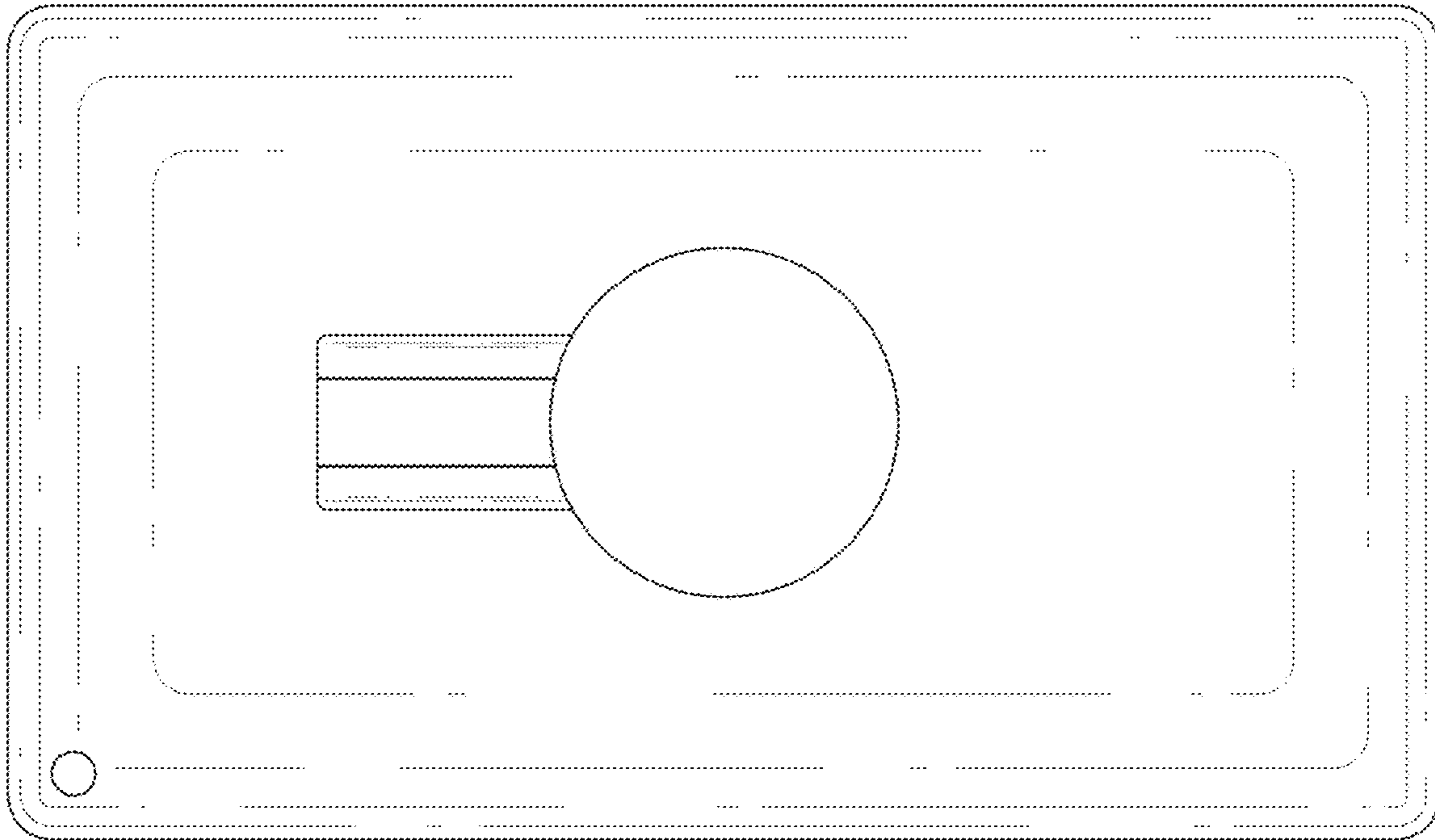
1.2



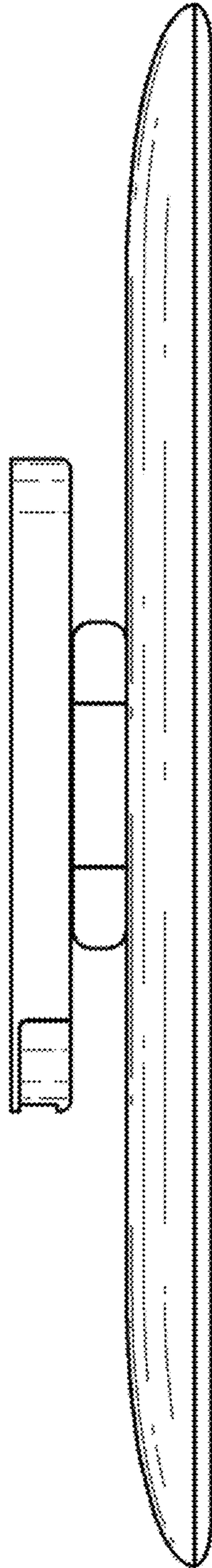
1.3



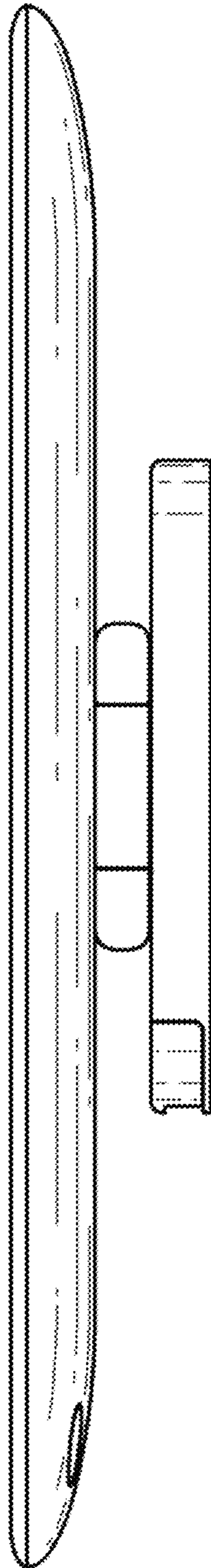
1.4



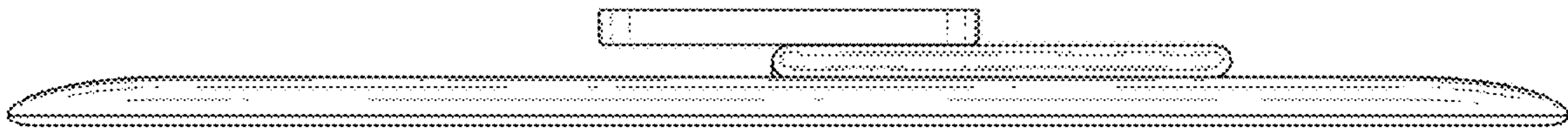
1.5



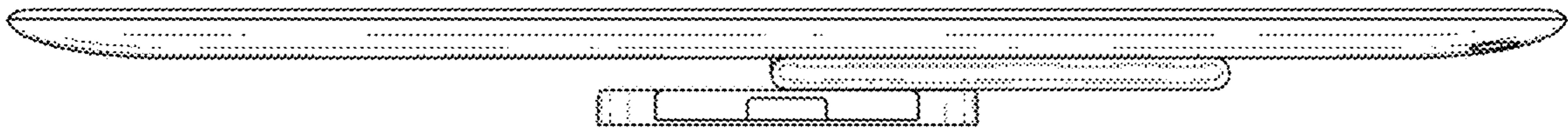
1.6



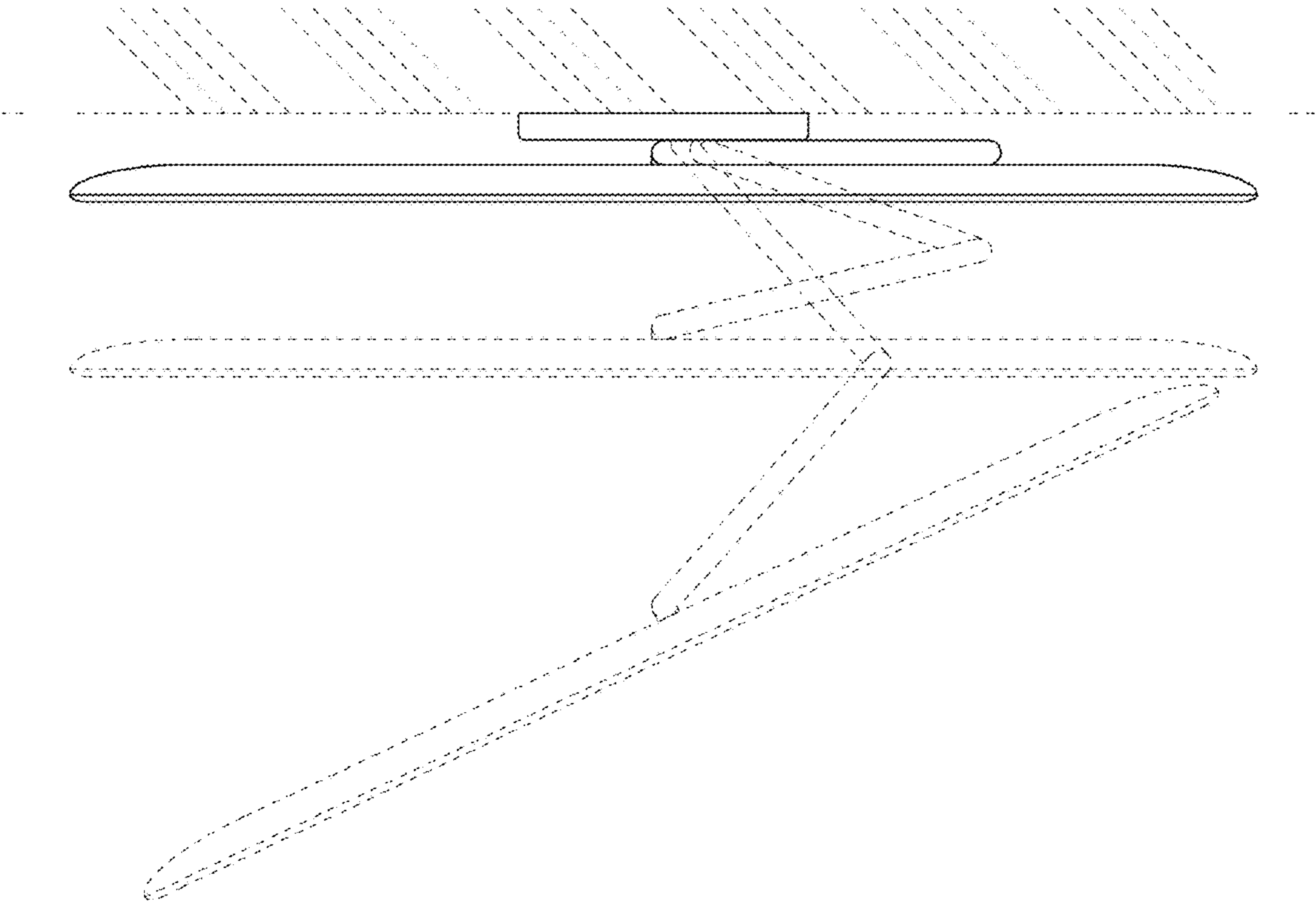
1.7



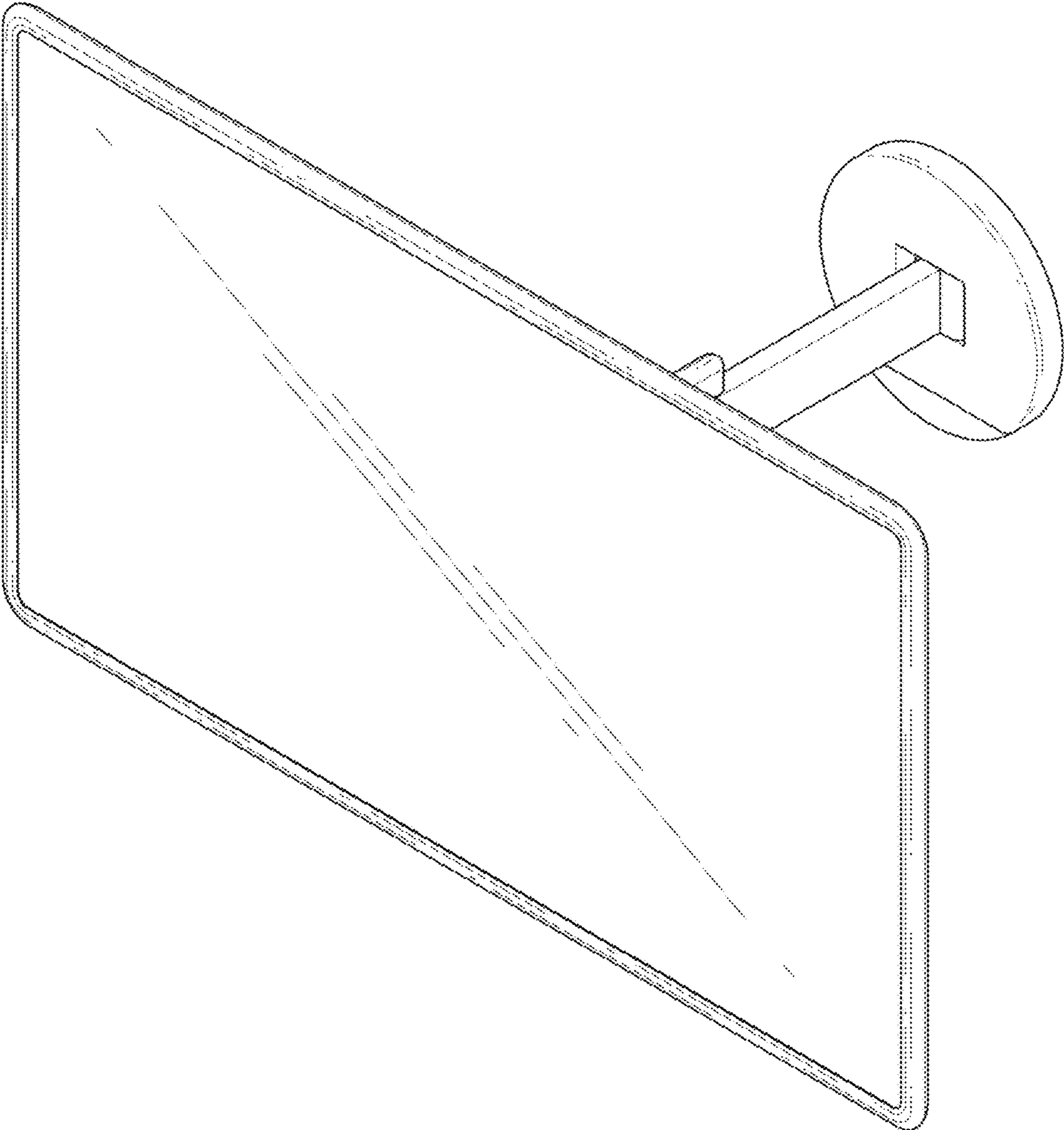
1.8



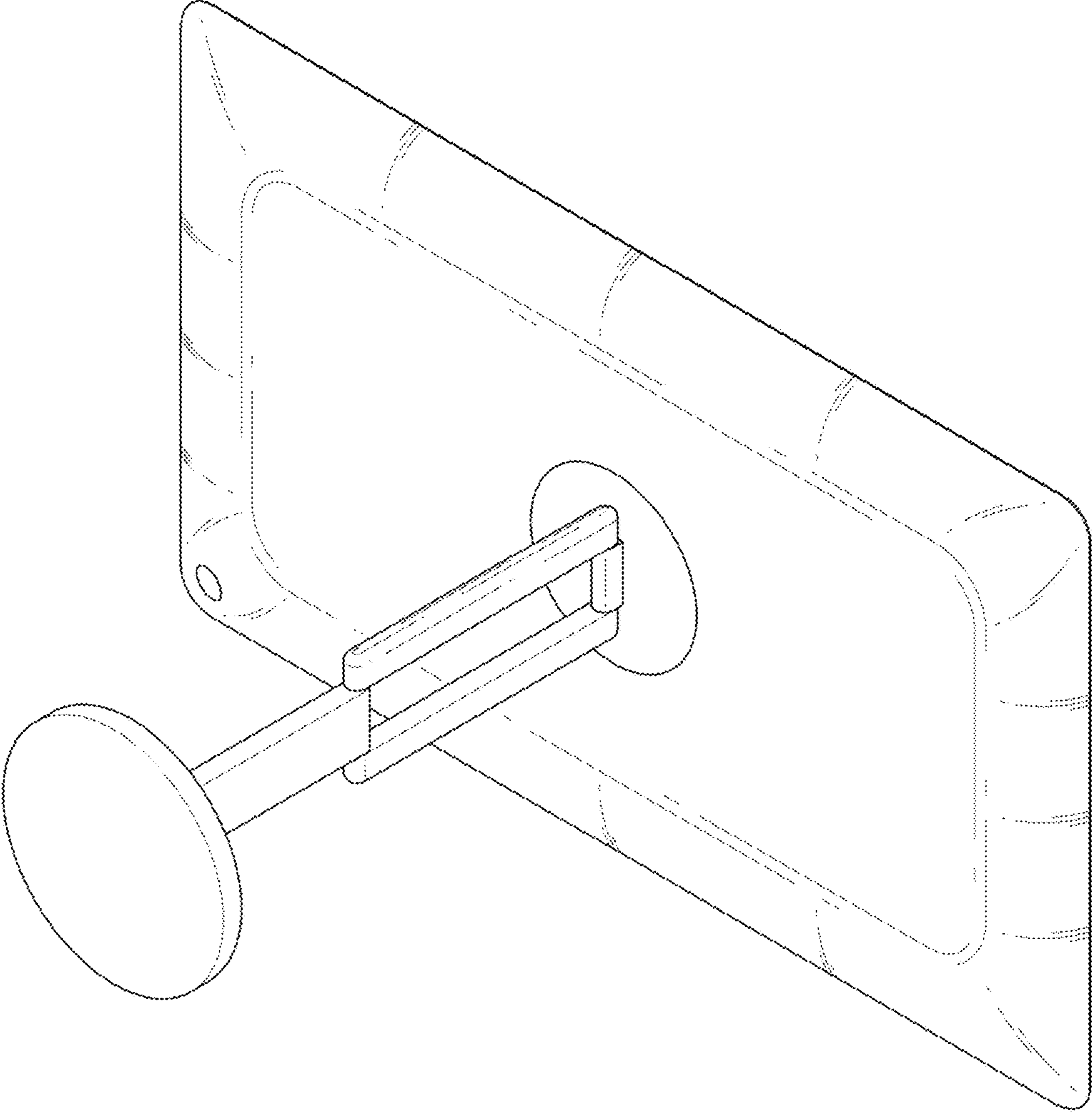
1.9



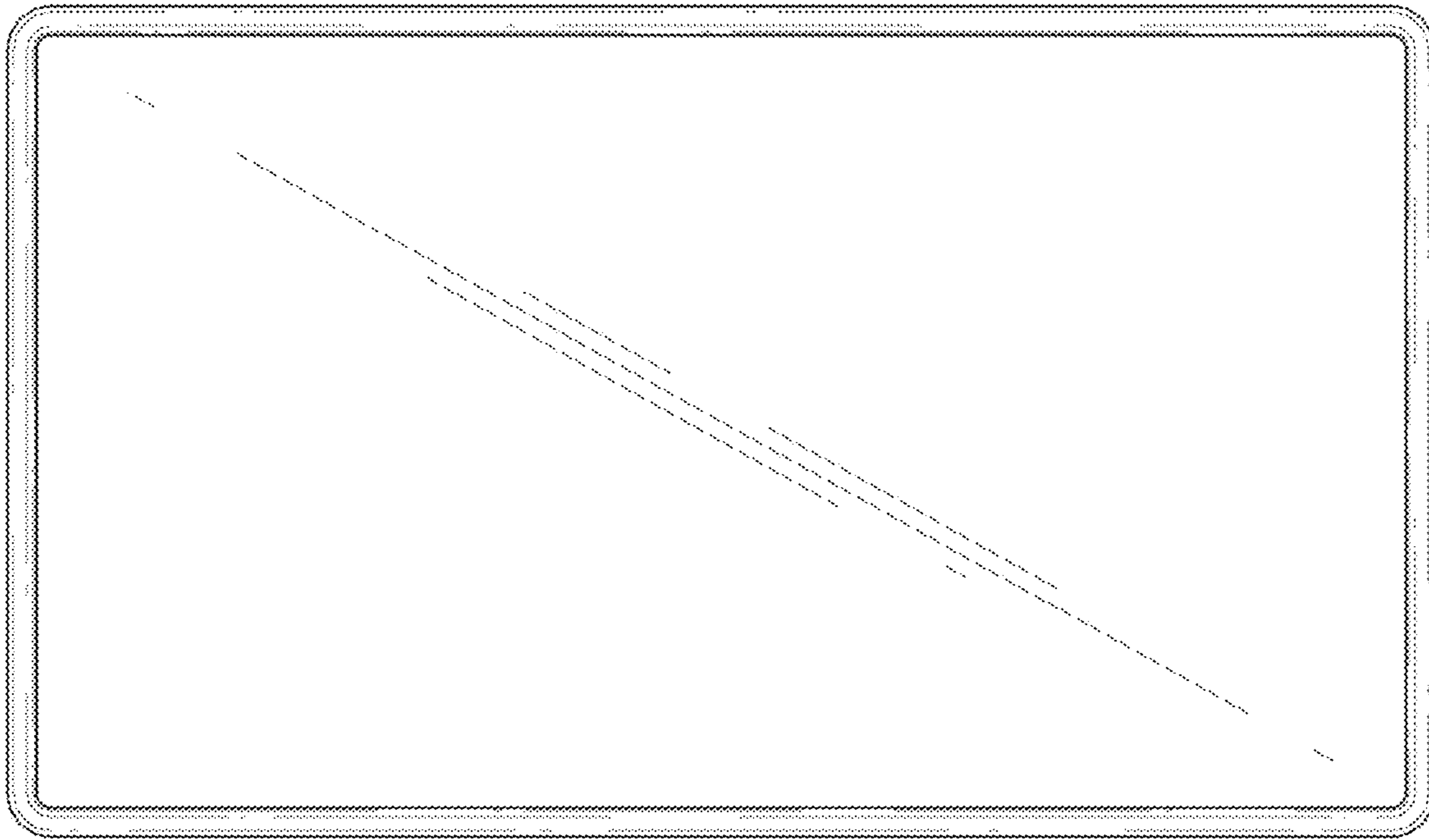
1.10



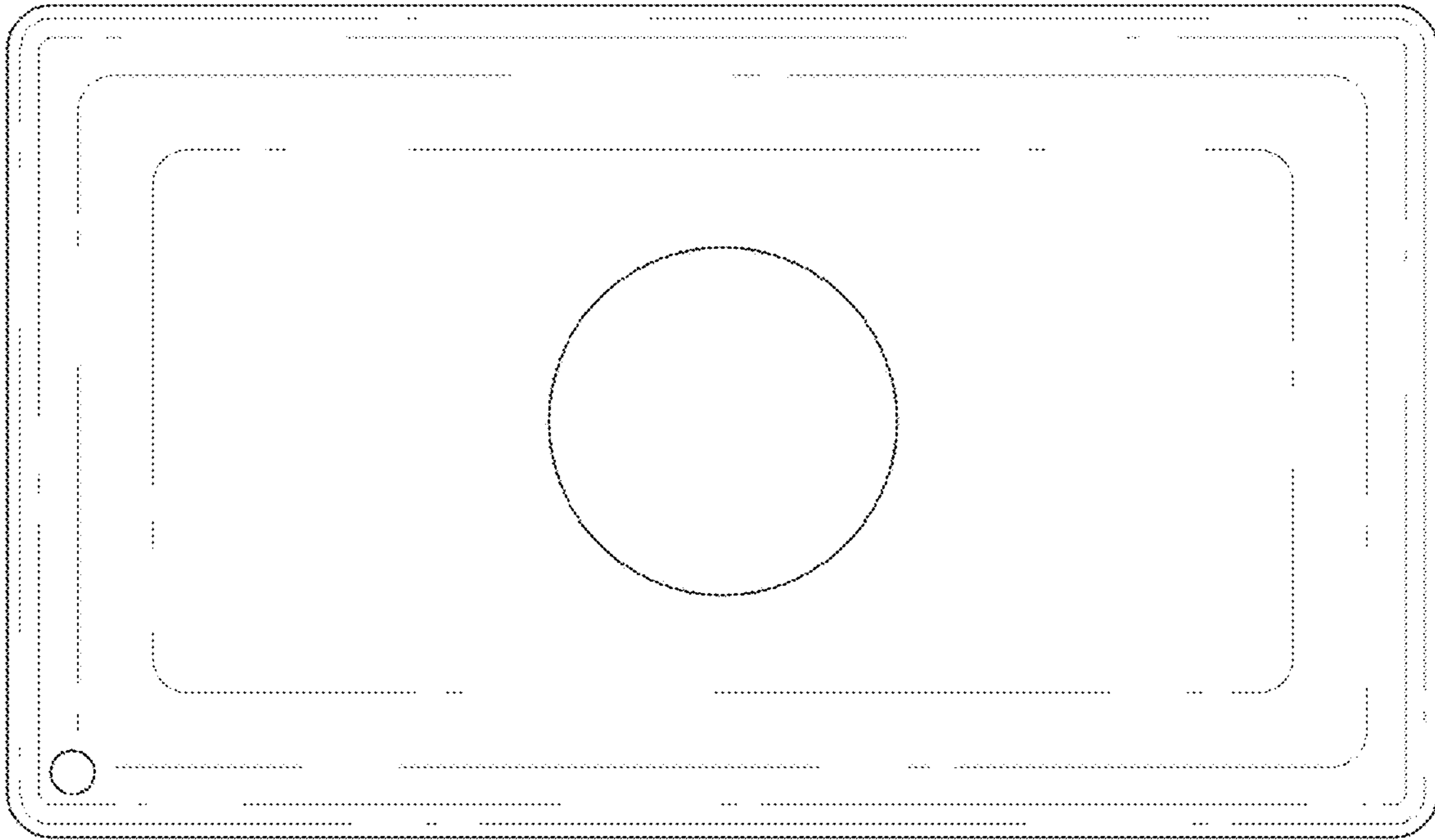
1.11



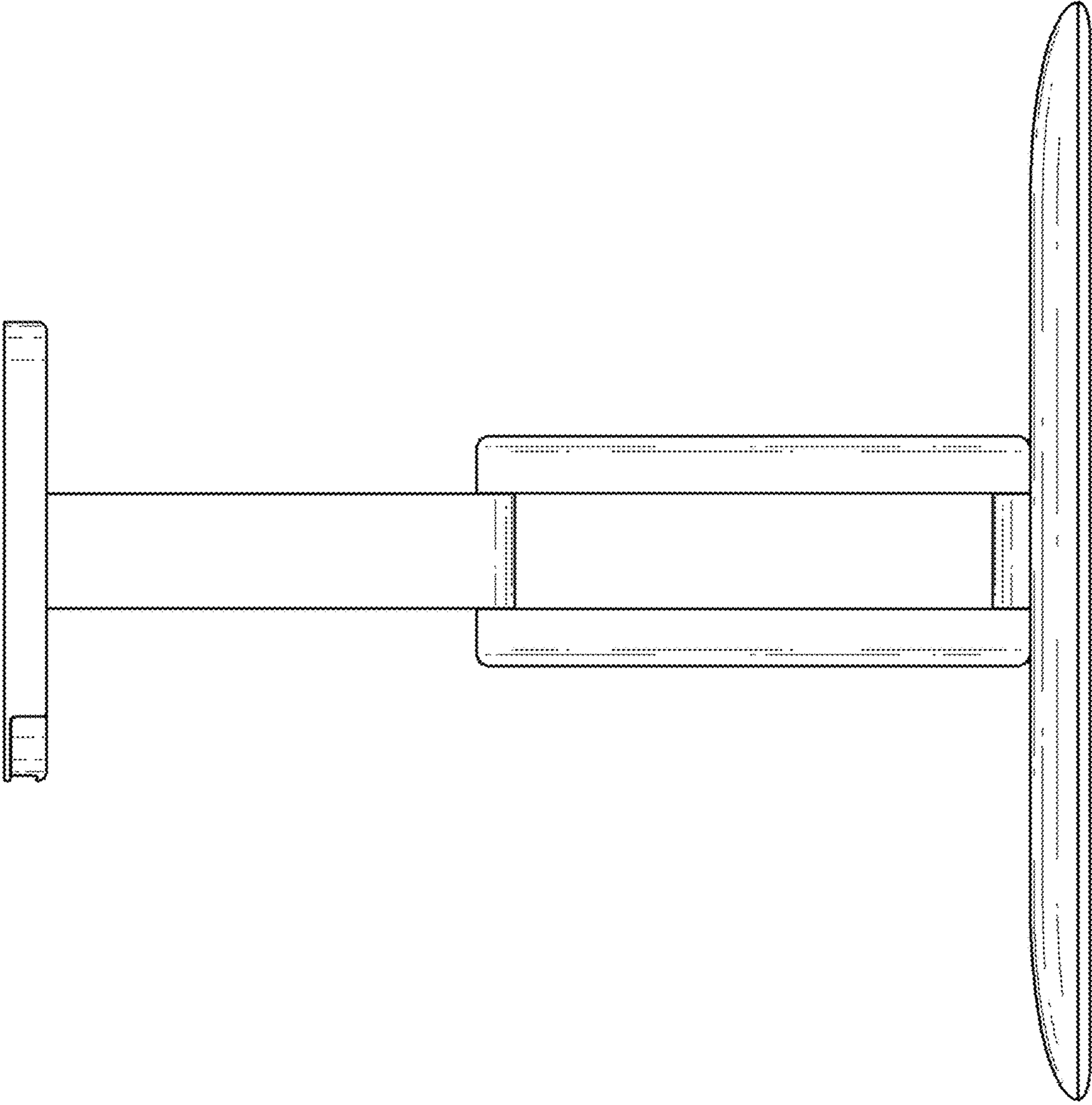
1.12



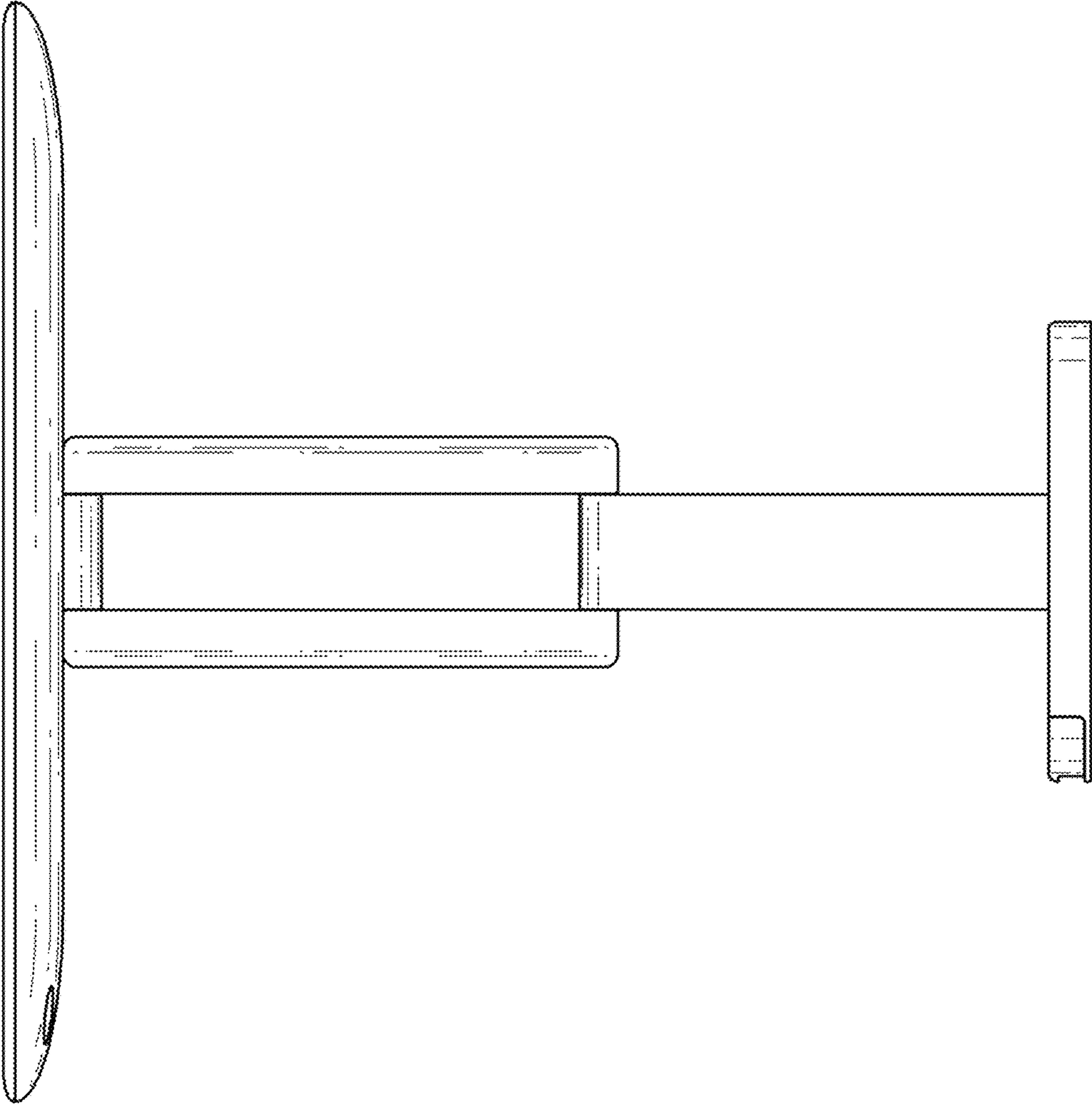
1.13



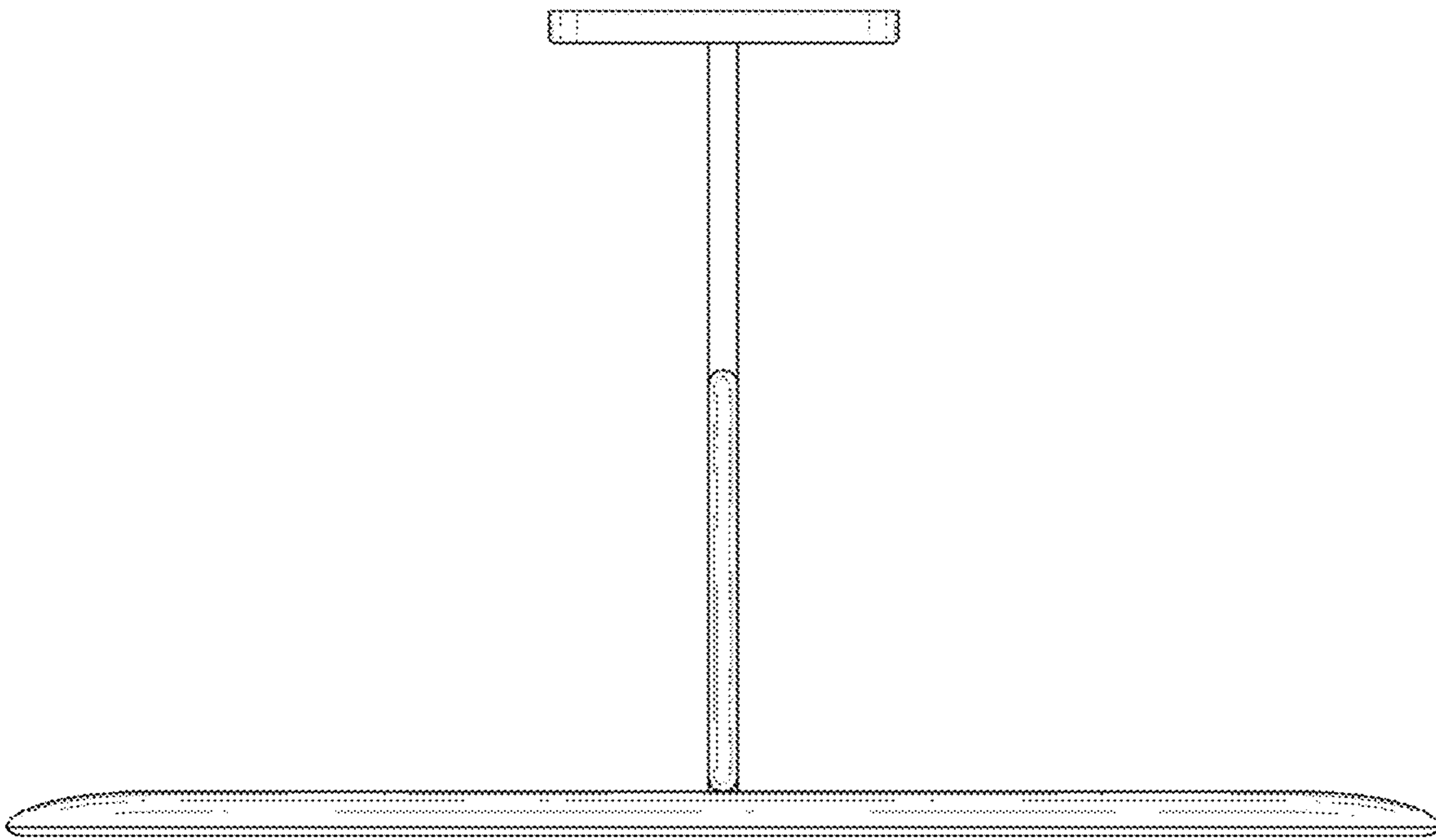
1.14



1.15



1.16



1.17

