



US00D819584S

(12) **United States Design Patent** (10) **Patent No.:** **US D819,584 S**
Won et al. (45) **Date of Patent:** **** *Jun. 5, 2018**

(54) **TV RECEIVER**

17/04; H04N 17/004; H04N 21/43637;
G02B 6/0068; H05K 5/02; H05K 5/0004;
H05K 5/0017; H05K 5/0217

(71) Applicant: **LG ELECTRONICS INC.**, Seoul (KR)

See application file for complete search history.

(72) Inventors: **Hyojin Won**, Seoul (KR);
Youngkyoung Kim, Seoul (KR);
Junghyun Min, Seoul (KR)

(56) **References Cited**

U.S. PATENT DOCUMENTS

(73) Assignee: **LG ELECTRONICS INC.**, Seoul (KR)

D634,723	S	*	3/2011	Park	D14/126
D682,228	S	*	5/2013	Lee	D14/126
D703,168	S	*	4/2014	Won	D14/126
D720,709	S	*	1/2015	Lee	D14/126
D731,994	S	*	6/2015	Won	D14/126
D735,153	S	*	7/2015	Snyder	D14/126

(*) Notice: This patent is subject to a terminal disclaimer.

(Continued)

(**) Term: **15 Years**

Primary Examiner — Keli L Hill

(21) Appl. No.: **35/501,766**

(74) *Attorney, Agent, or Firm* — Birch, Stewart, Kolasch & Birch, LLP

(22) Filed: **Apr. 26, 2016**

(80) **Hague Agreement Data**

(57) **CLAIM**

Int. Filing Date: **Apr. 26, 2016**
Int. Reg. No.: **DM/090484**
Int. Reg. Date: **Apr. 26, 2016**
Int. Reg. Pub. Date: **Oct. 28, 2016**

The ornamental design for a TV receiver, as shown and described.

(30) **Foreign Application Priority Data**

DESCRIPTION

Nov. 2, 2015 (KR) 30-2015-0055082

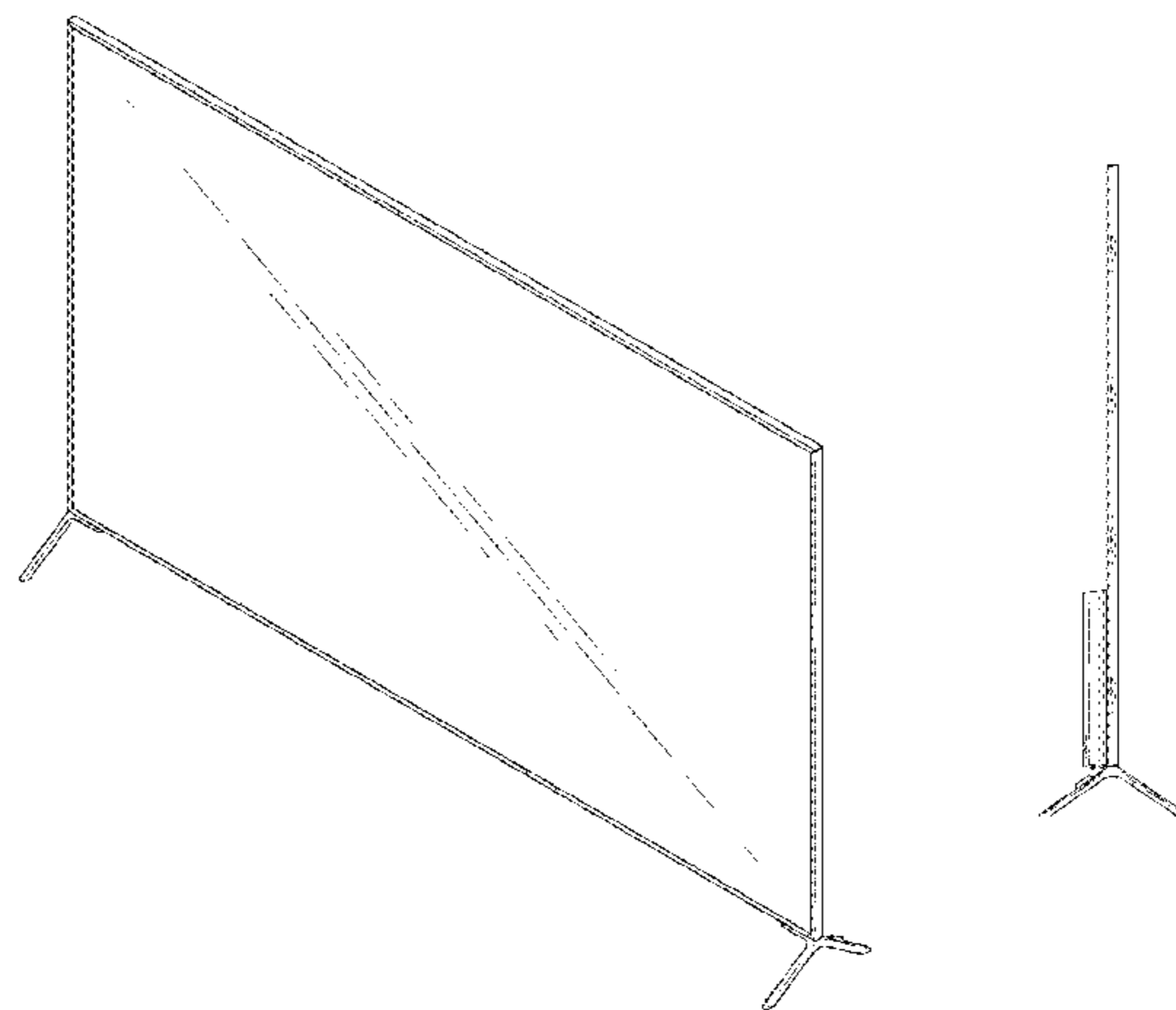
(51) **LOC (11) Cl.** **14-03**

(52) **U.S. Cl.**
USPC **D14/126**

(58) **Field of Classification Search**
USPC D14/125, 126, 128, 133, 239, 336, 371,
D14/374-377, 448, 450; D20/10, 19, 39;
D21/329, 515; 312/7.2; 348/180, 184,
348/325, 739, 836, 838; 248/465,
248/917-924; 345/87, 104, 133, 156,
345/168, 173
CPC G06F 1/1601; G06F 1/1643; H04N 5/64;
H04N 5/66; H04N 5/655; H04N 7/00;
H04N 9/3141; H04N 13/0459; H04N

1. TV receiver
- 1.1 : Perspective
- 1.2 : Front
- 1.3 : Back
- 1.4 : Left
- 1.5 : Right
- 1.6 : Top
- 1.7 : Bottom
- 1.8 Perspective with feet in alternate position
- 1.9 Front with feet in alternate position
- 1.10 Back with feet in alternate position
- 1.11 Left with feet in alternate position
- 1.12 Right with feet in alternate position
- 1.13 Top with feet in alternate position
- 1.14 Bottom with feet in alternate position

(Continued)



The broken lines shown are included for the purpose of illustrating unclaimed portions of the TV receiver and form no part of the claimed design.

1 Claim, 8 Drawing Sheets

(56)

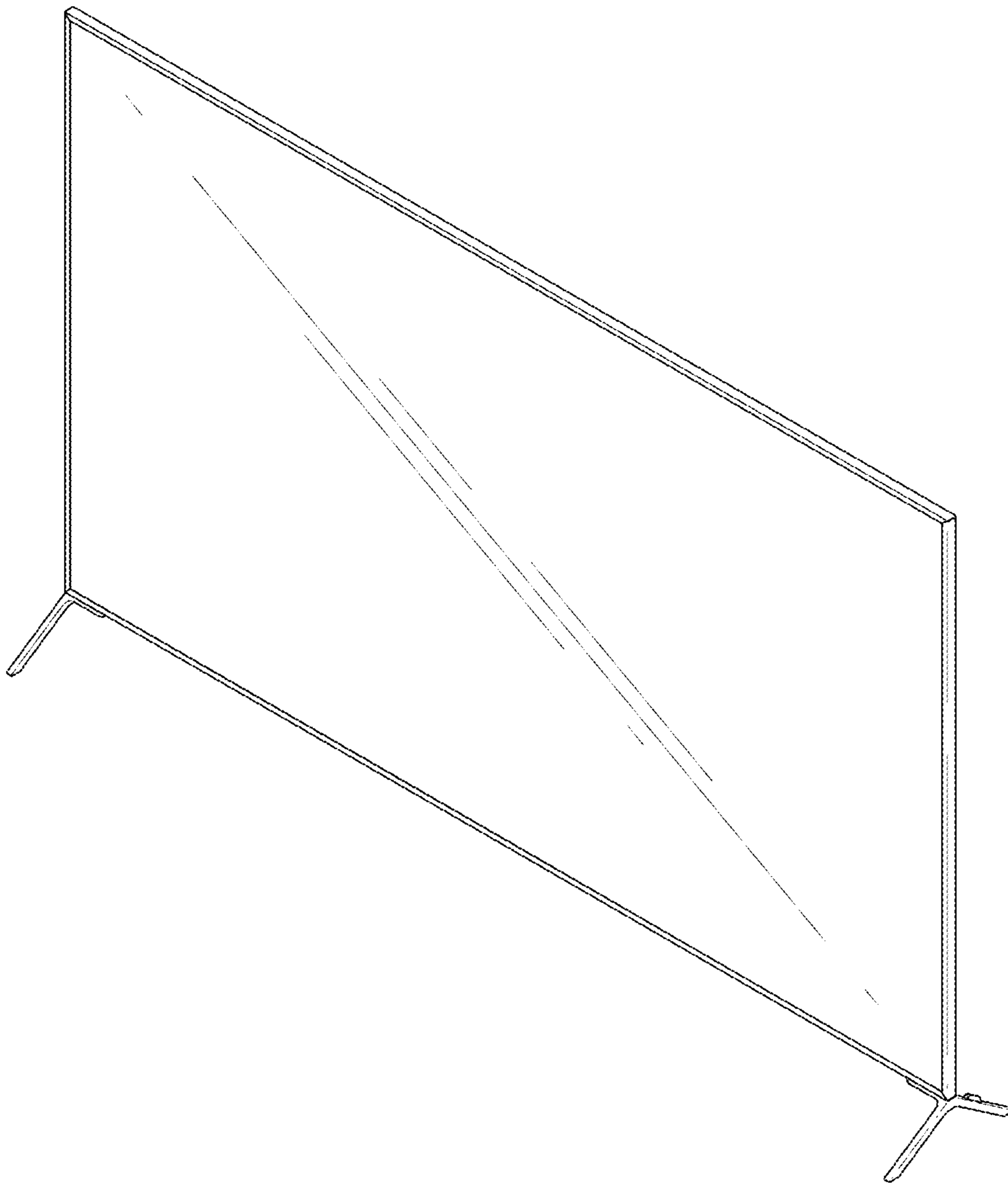
References Cited

U.S. PATENT DOCUMENTS

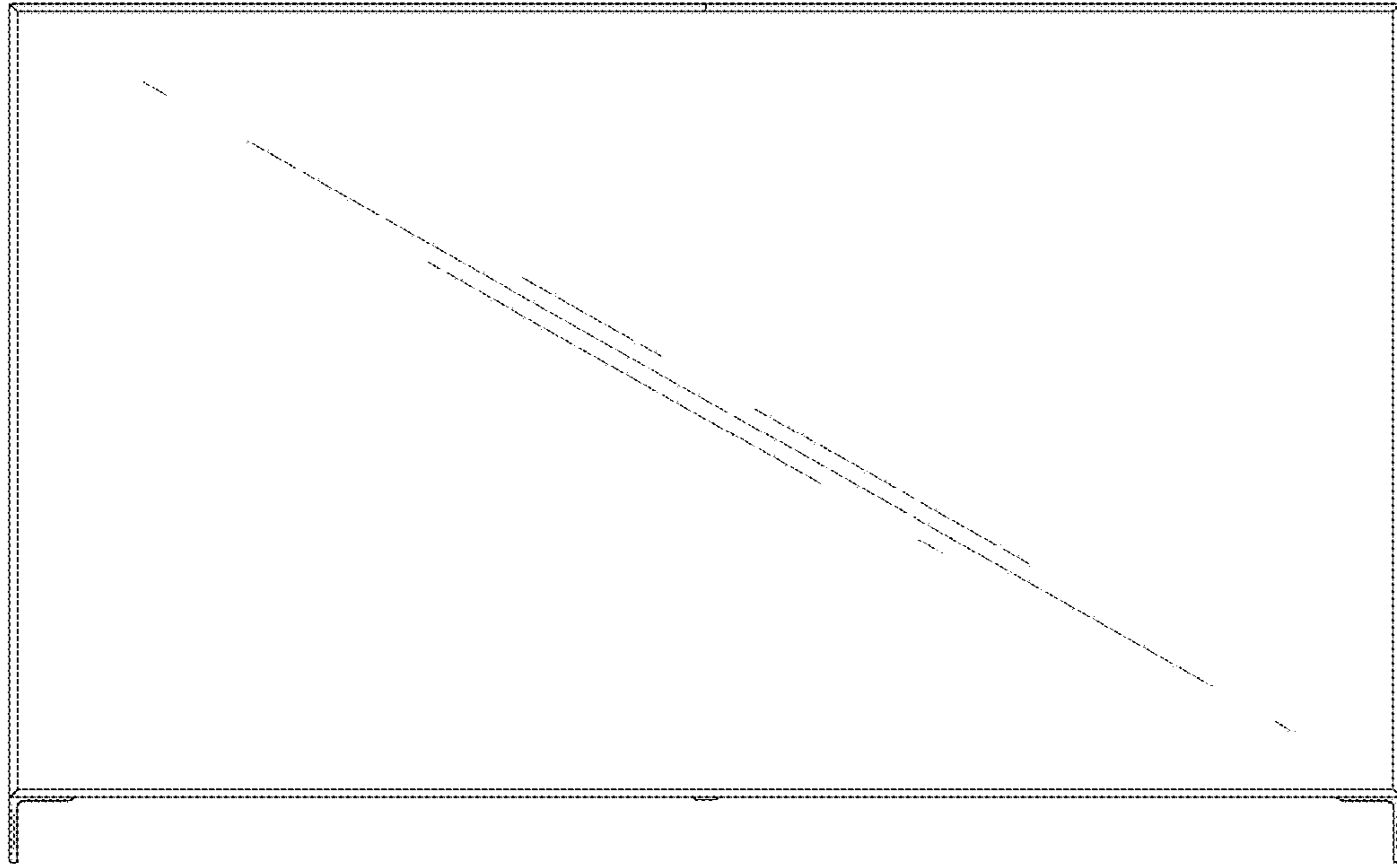
D751,048 S *	3/2016	Yoon	D14/126
D787,462 S *	5/2017	Shiono	D14/126
D791,094 S *	7/2017	Han	D14/126
D796,464 S *	9/2017	Kim	D14/126

* cited by examiner

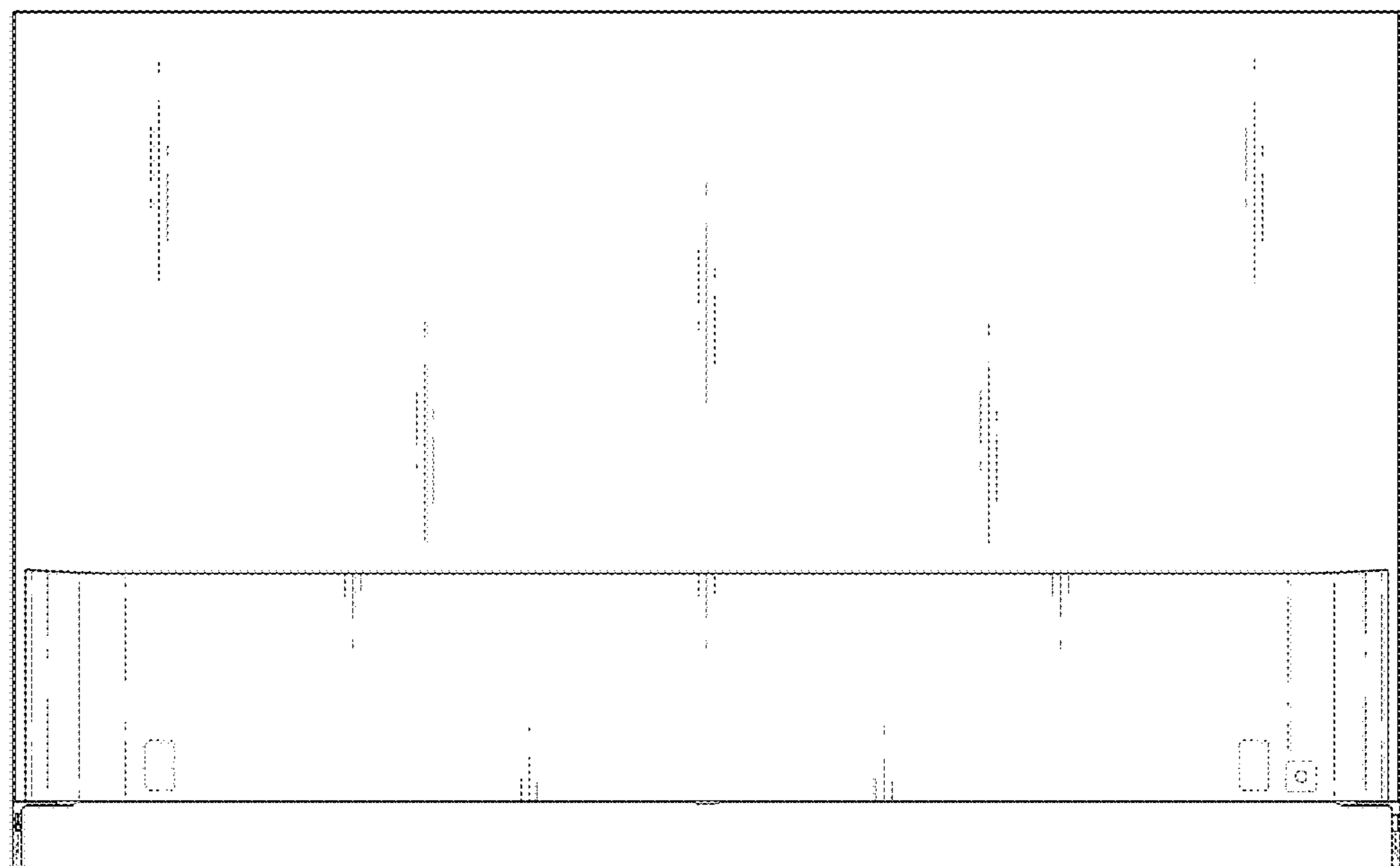
1.1



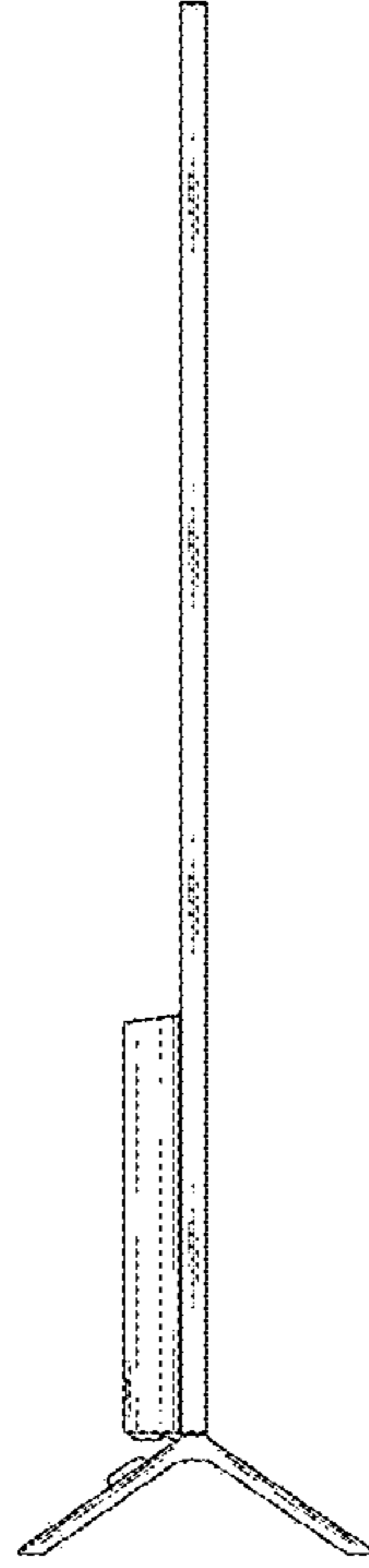
1.2



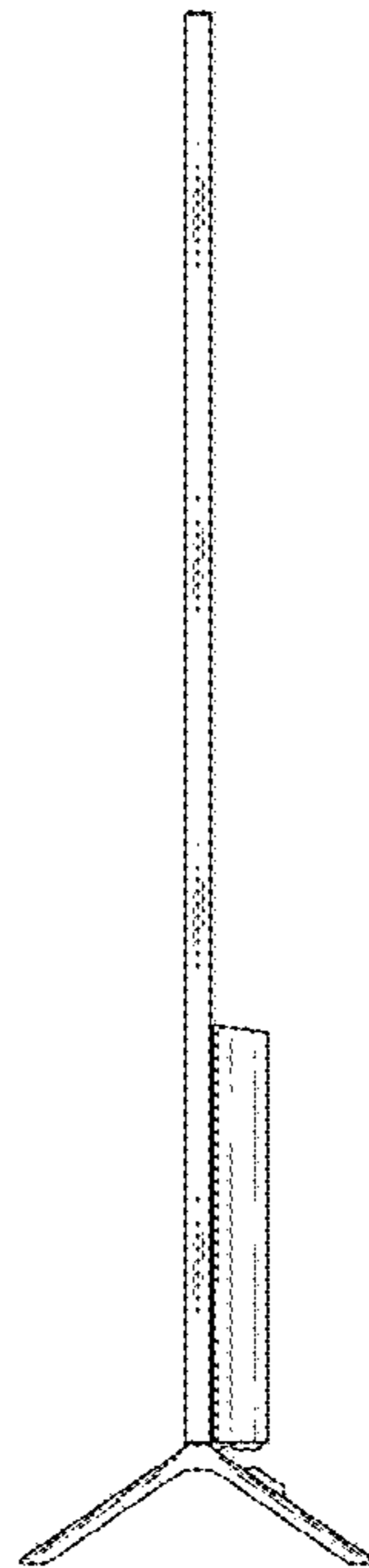
1.3



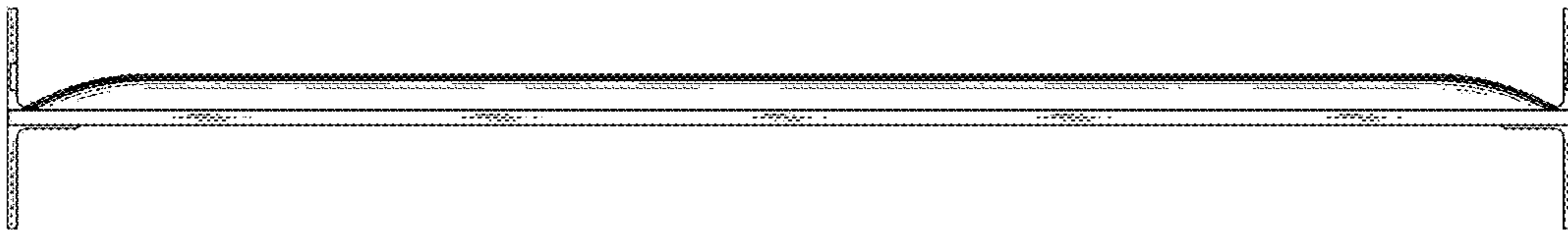
1.4



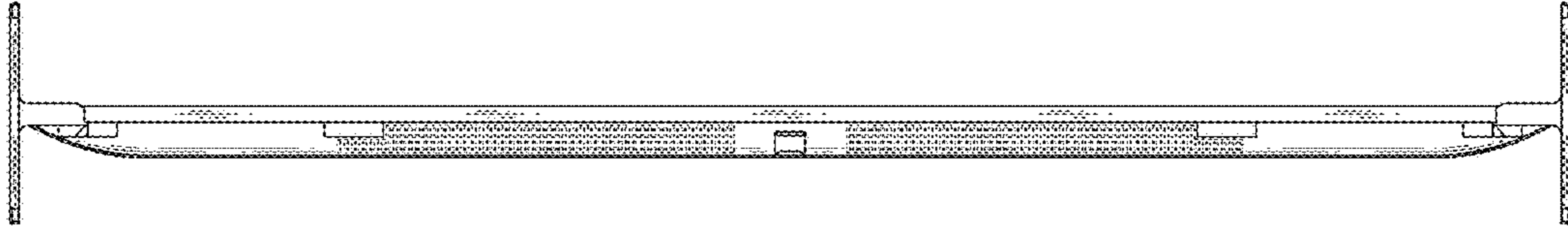
1.5



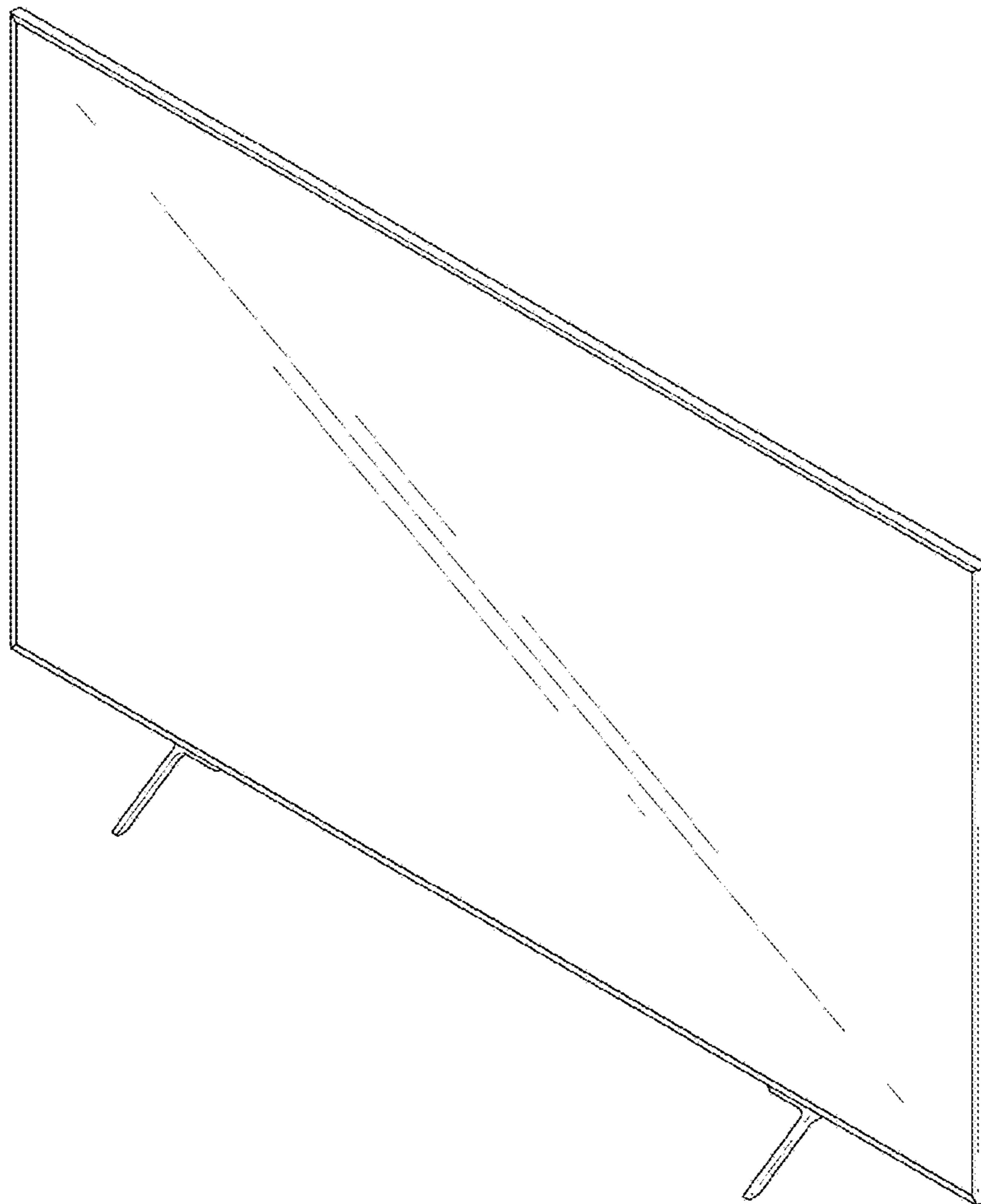
1.6



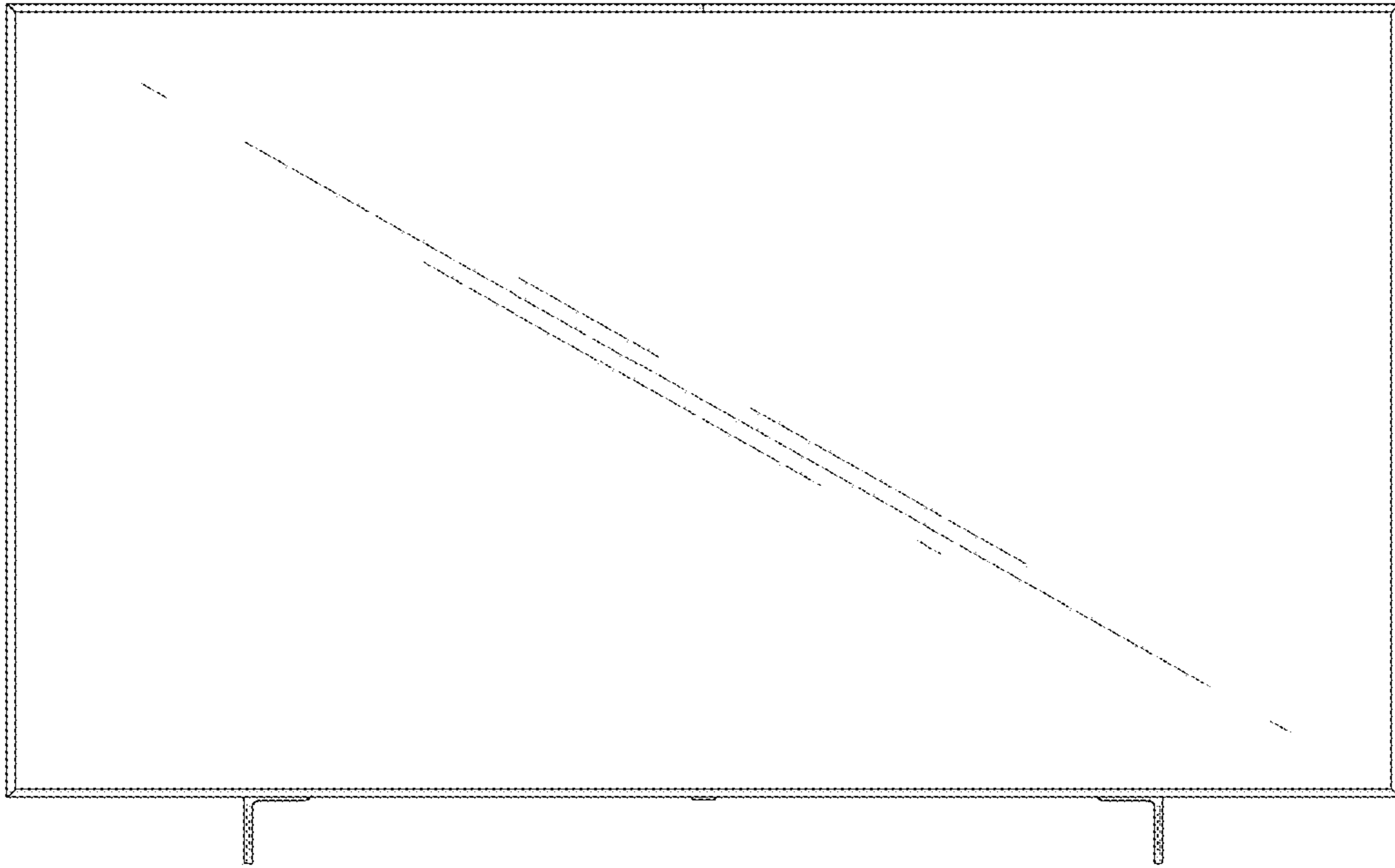
1.7



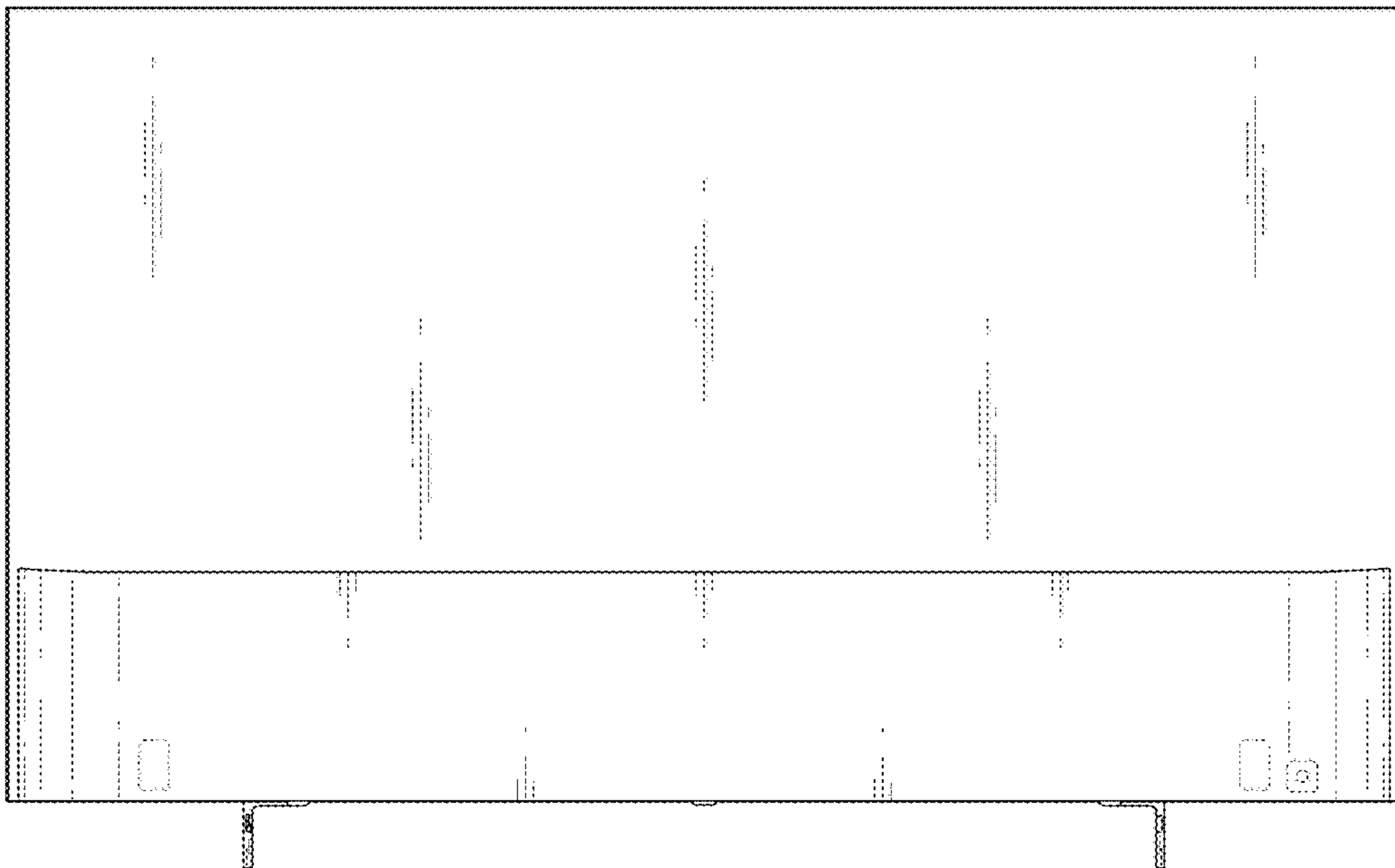
1.8



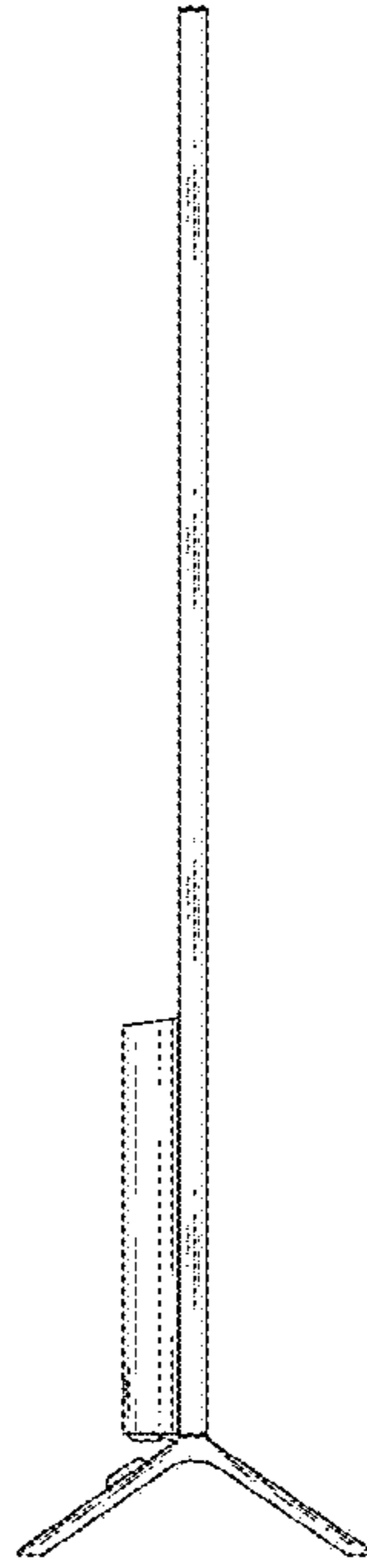
1.9



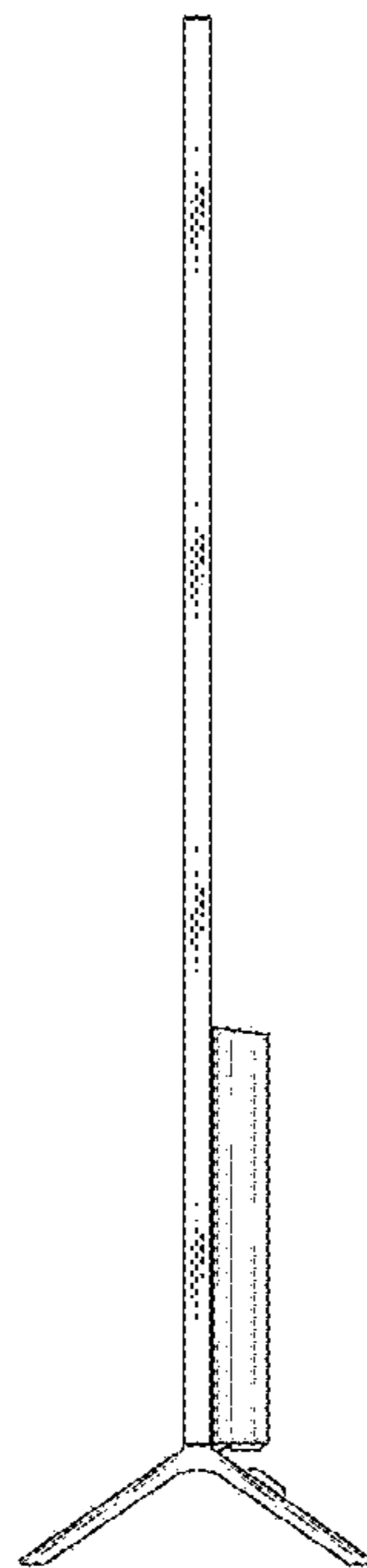
1.10



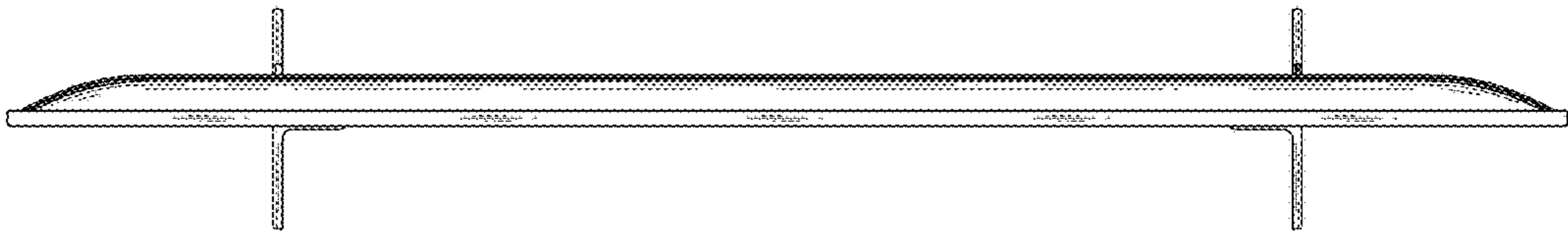
1.11



1.12



1.13



1.14

