



US00D819583S

(12) **United States Design Patent**  
**Lee et al.**

(10) **Patent No.:** **US D819,583 S**  
(45) **Date of Patent:** **\*\* Jun. 5, 2018**

(54) **TELEVISION RECEIVER**

(71) Applicant: **SAMSUNG ELECTRONICS CO., LTD.**, Suwon-si, Gyeonggi-do (KR)  
(72) Inventors: **Seungho Lee**, Guri-si (KR); **Jaewook Yoo**, Seoul (KR); **Jaeneung Lee**, Gyeonggi-do (KR)  
(73) Assignee: **SAMSUNG ELECTRONICS CO., LTD.**, Gyeonggi-Do (KR)

(\*\*) Term: **15 Years**  
(21) Appl. No.: **29/595,258**  
(22) Filed: **Feb. 27, 2017**

(30) **Foreign Application Priority Data**

Sep. 1, 2016 (KR) ..... 30-2016-0043056

(51) **LOC (11) Cl.** ..... **14-03**  
(52) **U.S. Cl.**  
USPC ..... **D14/126**

(58) **Field of Classification Search**  
USPC ..... D14/125-134, 239, 371, 136, 374-377, D14/440, 450, 448, 336, 342, 159; 312/7.2; 348/836, 838, 180, 184, 325, 348/739; 248/917-924, 465; 345/104, 345/133, 156, 168, 87, 173; D21/329, D21/515, 577, 622, 333, 433, 448, 452, D21/450, 331, 505; D10/15, 26; 446/484, 175, 356; D6/477, 479, 300; D24/185; D34/14  
CPC ... G06F 1/1601; G06F 1/1643; H05K 5/0004; H05K 5/0017; H05K 5/02; H05K 5/0217  
See application file for complete search history.

(56) **References Cited**

U.S. PATENT DOCUMENTS

D743,953 S \* 11/2015 Ann ..... D14/239  
D745,864 S \* 12/2015 Jung ..... D14/239  
D760,706 S \* 7/2016 Son ..... D14/239

\* cited by examiner

*Primary Examiner* — Randall H Gholson  
(74) *Attorney, Agent, or Firm* — Cantor Colburn LLP

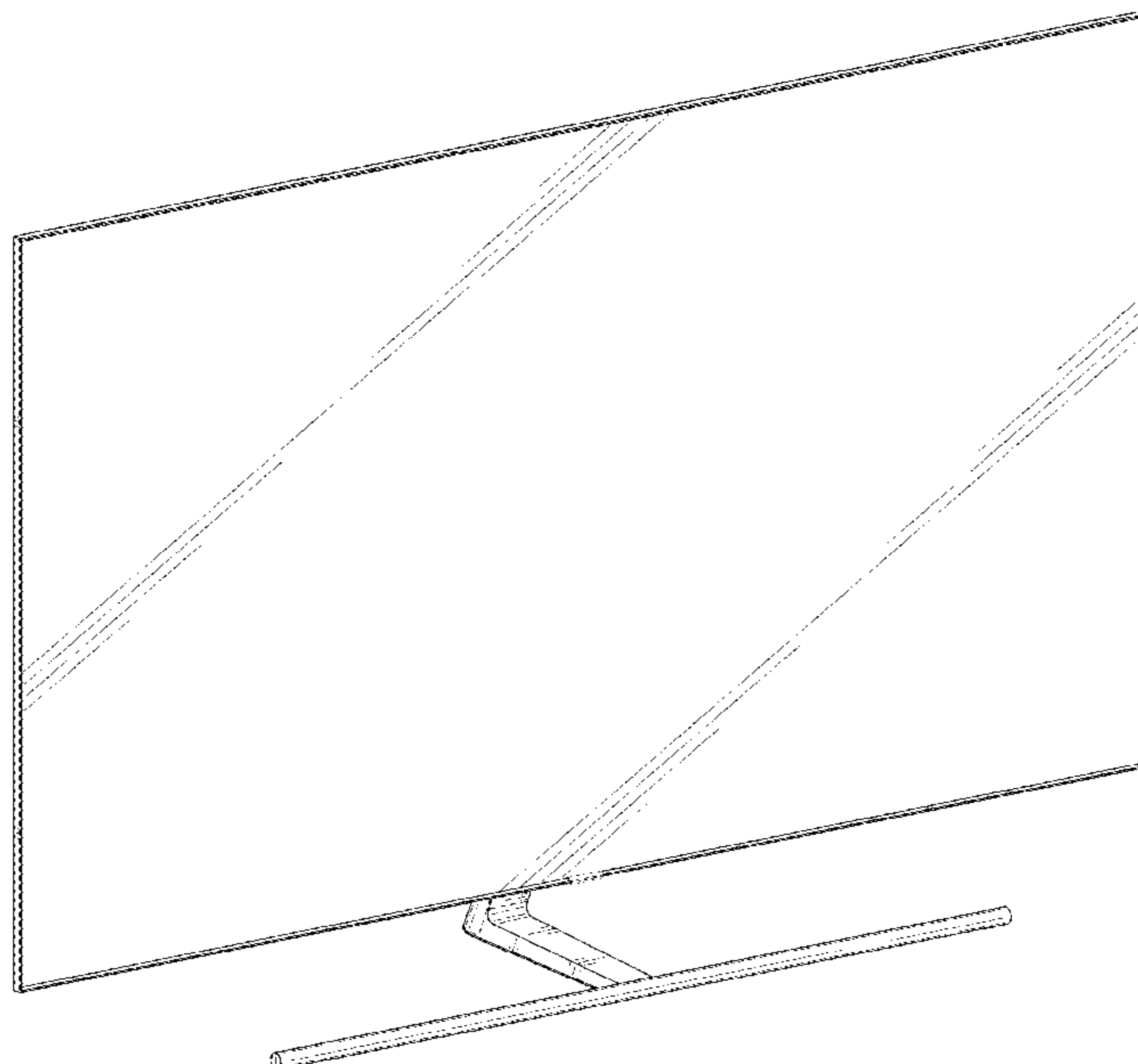
(57) **CLAIM**

The ornamental design for a television receiver, as shown and described.

**DESCRIPTION**

FIG. 1 is a front perspective view of a television receiver, showing our new design;  
FIG. 2 is a front view thereof;  
FIG. 3 is a rear view thereof;  
FIG. 4 is a left side view thereof;  
FIG. 5 is a right side view thereof;  
FIG. 6 is a top view thereof;  
FIG. 7 is a bottom view thereof; and,  
FIG. 8 is a rear perspective view thereof.  
The short dash-dash lines that are immediately adjacent the shaded areas and define unshaded regions represent the bounds of the claim and are not included in the claim. All other short dash-dash broken lines are directed to environment and are for illustrative purposes only. All of the broken lines throughout the views form no part of the claimed design.

**1 Claim, 8 Drawing Sheets**



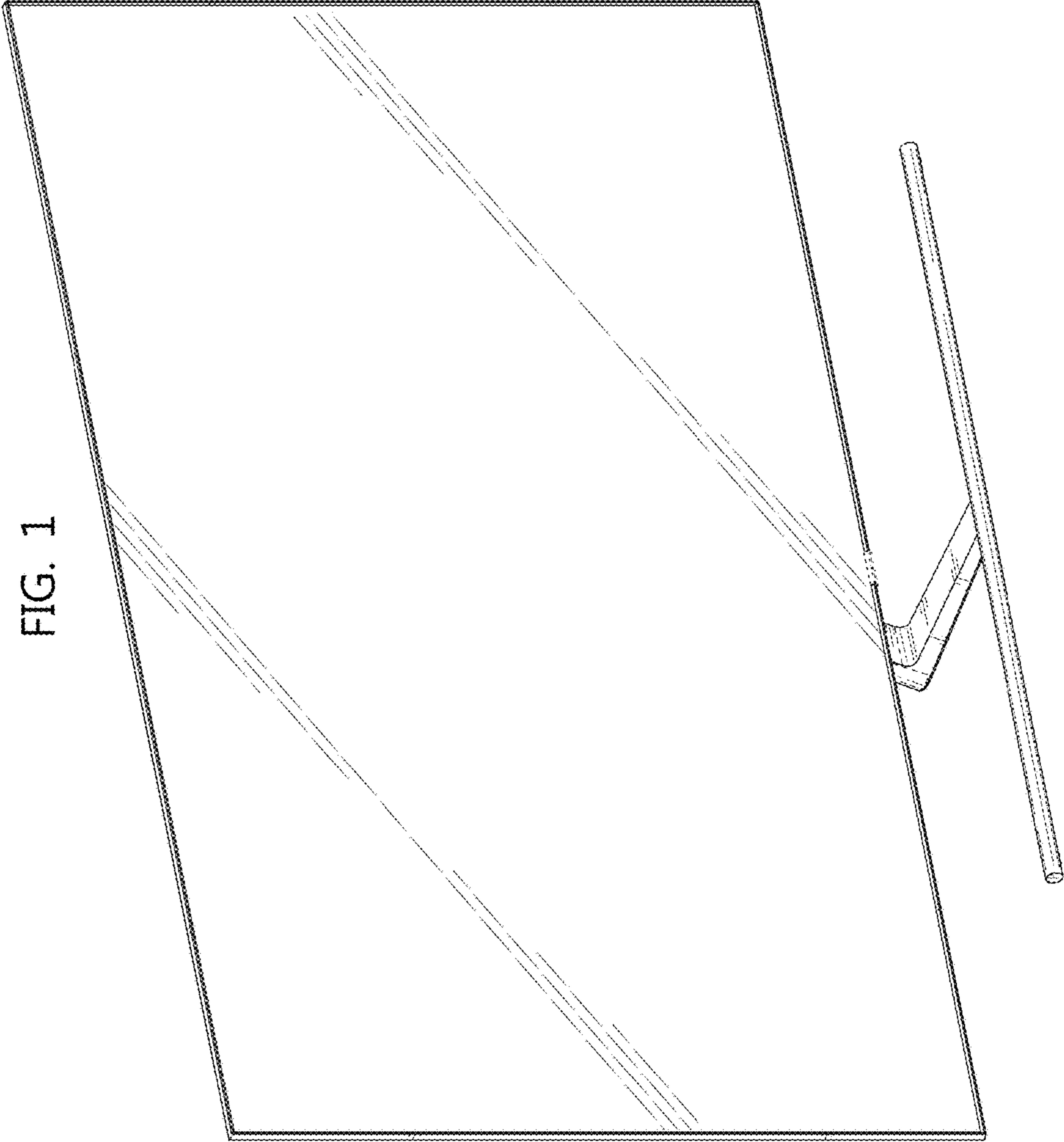


FIG. 1

FIG. 2

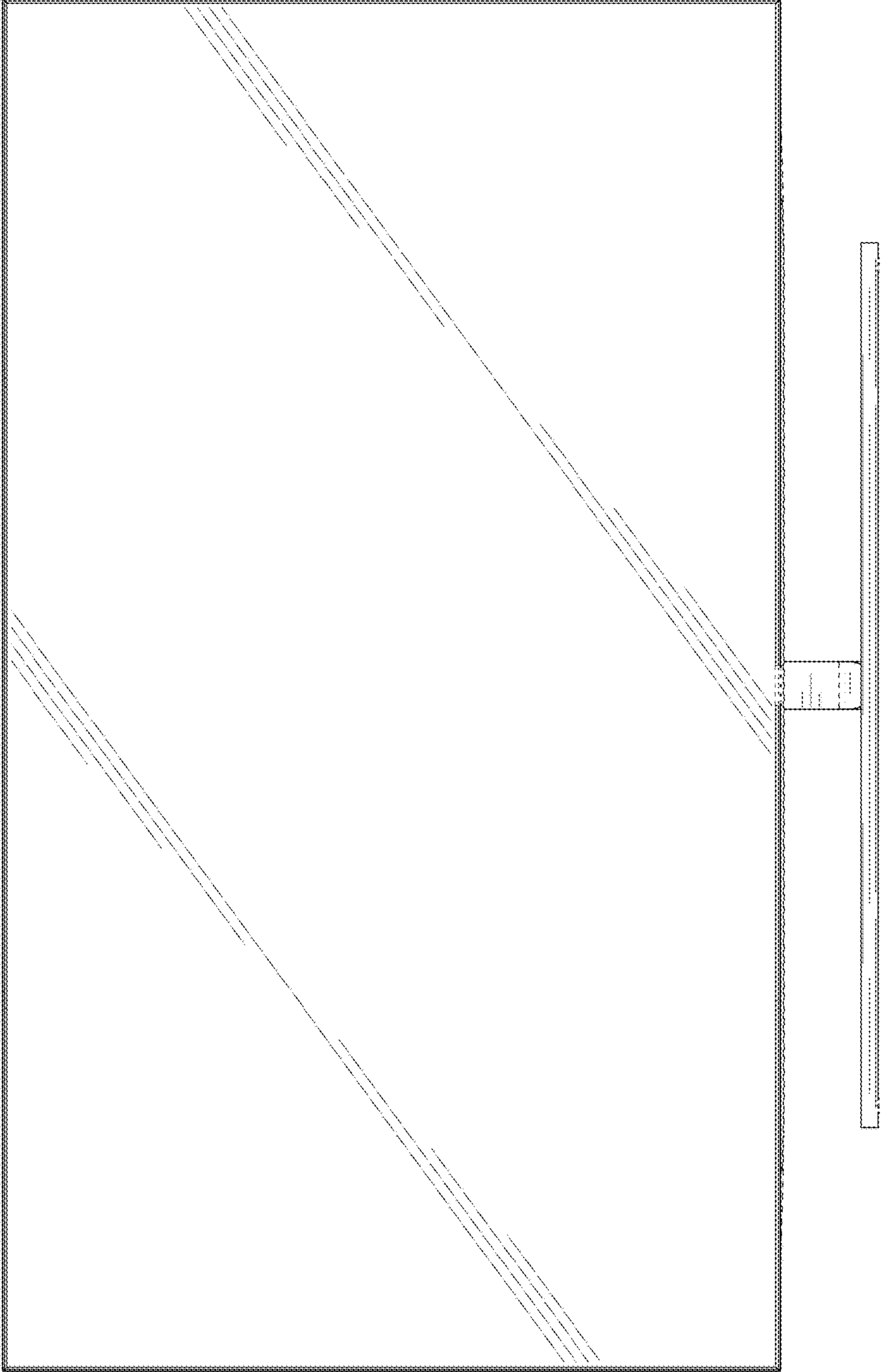


FIG. 3

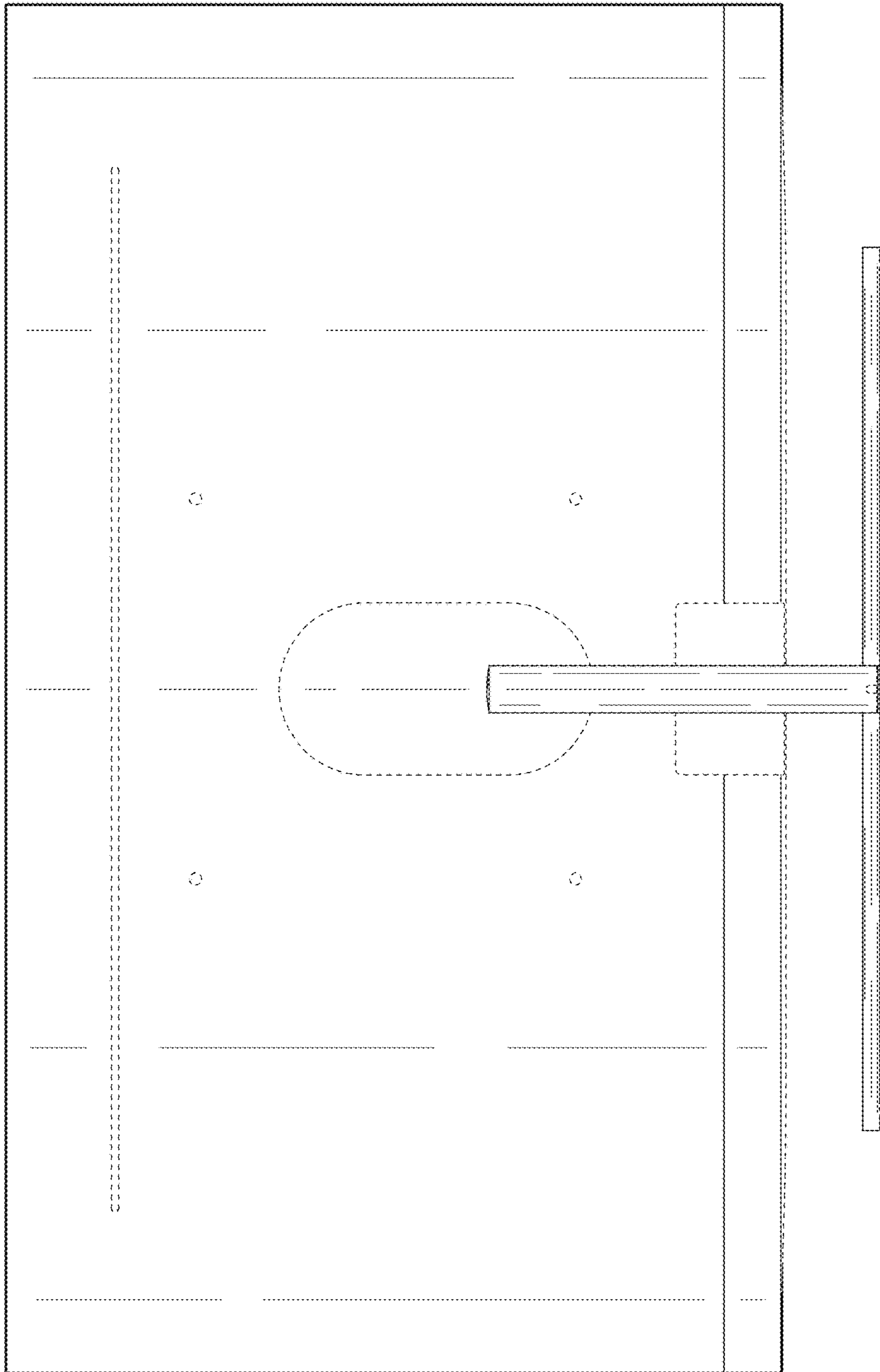


FIG. 4

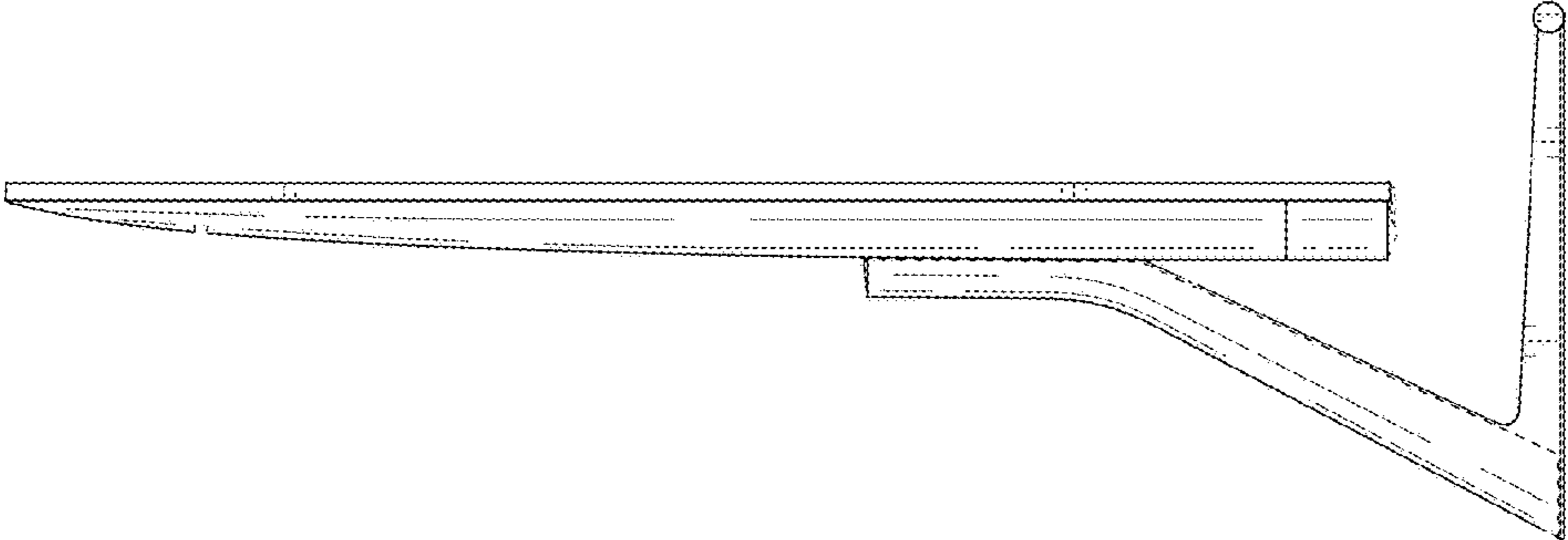


FIG. 5

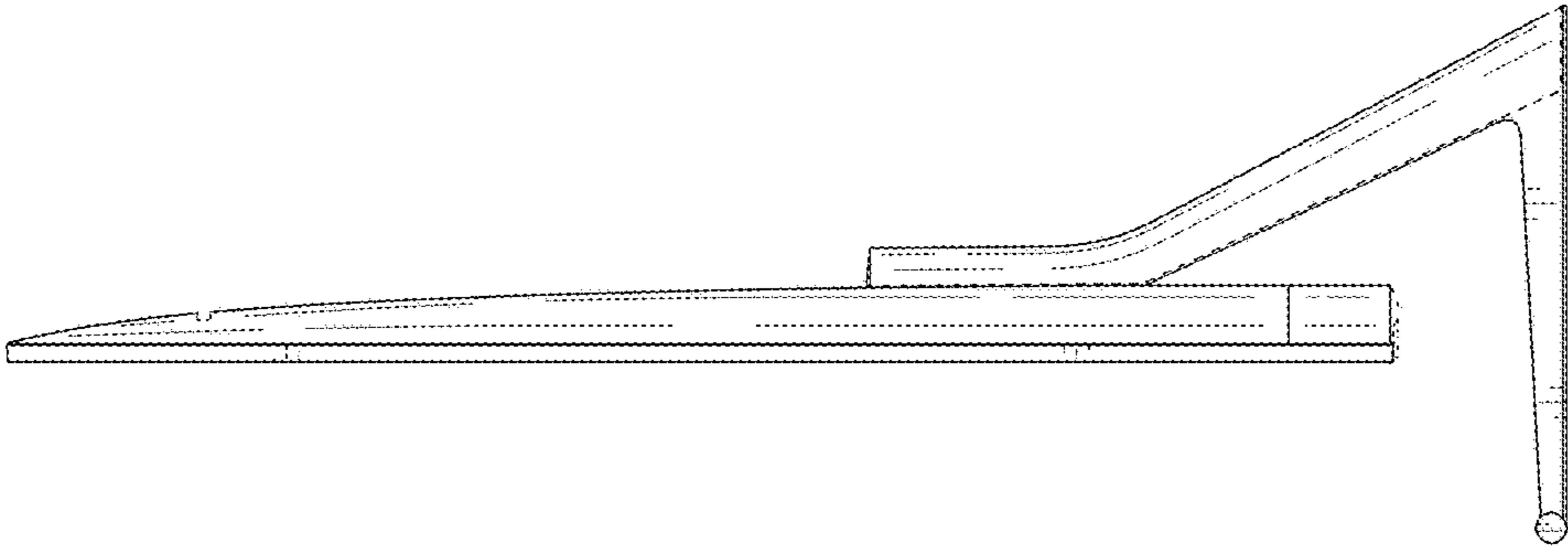


FIG. 6

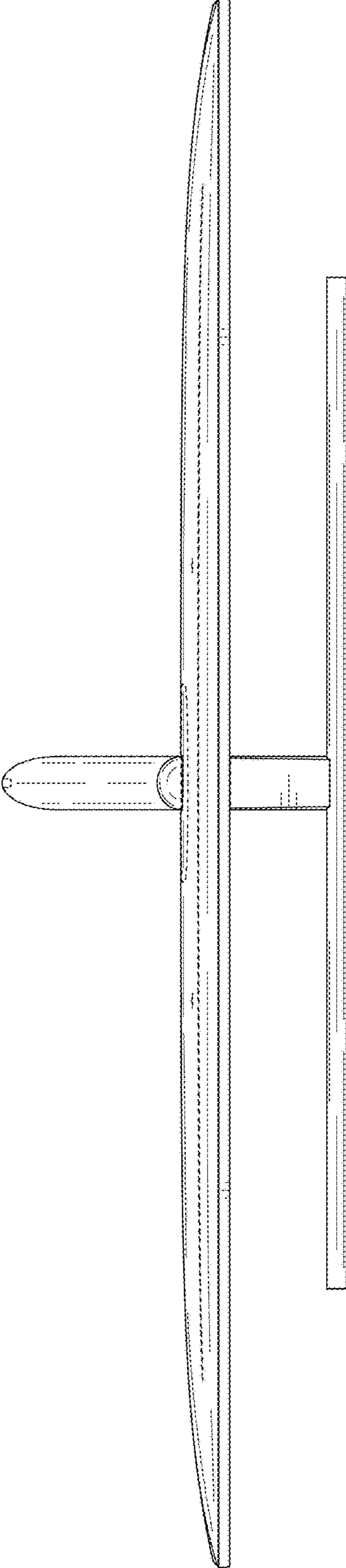


FIG. 7

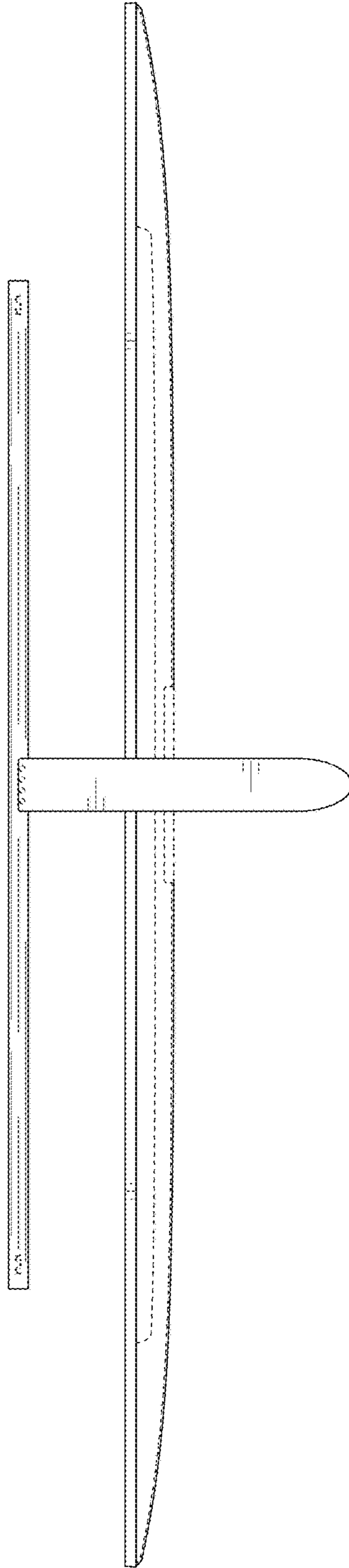




FIG. 8

