



US00D819582S

(12) **United States Design Patent** (10) **Patent No.:** **US D819,582 S**
Izadyar et al. (45) **Date of Patent:** **** Jun. 5, 2018**

(54) **DISPLAY SYSTEM FOR SEATBACK MOUNTING**

Primary Examiner — Randall H Gholson
(74) *Attorney, Agent, or Firm* — Brian Furrer

(71) Applicant: **Panasonic Avionics Corporation**, Lake Forest, CA (US)

(72) Inventors: **Mehdi Izadyar**, Trabuco Canyon, CA (US); **Omar Lopez**, Norco, CA (US); **Kaname Tomita**, Osaka (JP); **Masashi Fujimoto**, Osaka (JP); **Mitsuhiro Tosa**, Osaka (JP)

(57) **CLAIM**

The ornamental design for a display system for seatback mounting, as shown and described.

(73) Assignee: **Panasonic Avionics Corporation**, Lake Forest, CA (US)

DESCRIPTION

(**) Term: **15 Years**

FIG. 1 is a front perspective view of a first embodiment of the display system for seatback mounting embodying the new design;

(21) Appl. No.: **29/579,515**

FIG. 2 is a front elevational view of the first embodiment; FIG. 3 is a rear elevational view of the first embodiment; FIG. 4 is a left side elevational view of the first embodiment; FIG. 5 is a right side elevational view of the first embodiment;

(22) Filed: **Sep. 30, 2016**

(51) **LOC (11) Cl.** **14-03**

(52) **U.S. Cl.**

USPC **D14/126; D14/129**

(58) **Field of Classification Search**

USPC D14/125–134, 239, 371, 136, 374–377, D14/440, 450, 448, 336, 342, 159;
(Continued)

FIG. 6 is a top plan view of the first embodiment; FIG. 7 is a bottom plan view of the first embodiment; FIG. 8 is a cross-sectional view of the first embodiment, taken along line 8-8 of FIG. 2;

(56) **References Cited**

U.S. PATENT DOCUMENTS

3,037,812 A 6/1962 Monroe
D250,071 S 10/1978 Dickerson
(Continued)

FIG. 9 is a front perspective view of the first embodiment, shown mounted on a seatback for illustrative purposes;

FIG. 10 is a front perspective view of a second embodiment of the display system for seatback mounting embodying the new design;

FOREIGN PATENT DOCUMENTS

EP 1 078 852 A2 2/2001
WO 99/14655 A1 3/1999
(Continued)

FIG. 11 is a front elevational view of the second embodiment;

FIG. 12 is a rear elevational view of the second embodiment; FIG. 13 is a left side elevational view of the second embodiment;

OTHER PUBLICATIONS

Kirby, M., "Runway Girl, Pinnacle seat is B/E's hottest-every product launch," <http://www.flightglobal.com/blogs/runway-girl/2010/08/pinnacle-seat-is-bes-hottest-e/>, Aug. 2, 2010.

FIG. 14 is a right side elevational view of the second embodiment;

FIG. 15 is a top plan view of the second embodiment; FIG. 16 is a bottom plan view of the second embodiment; FIG. 17 is a cross-sectional view of the second embodiment, taken along line 8-8 of FIG. 11;

(Continued)

(Continued)

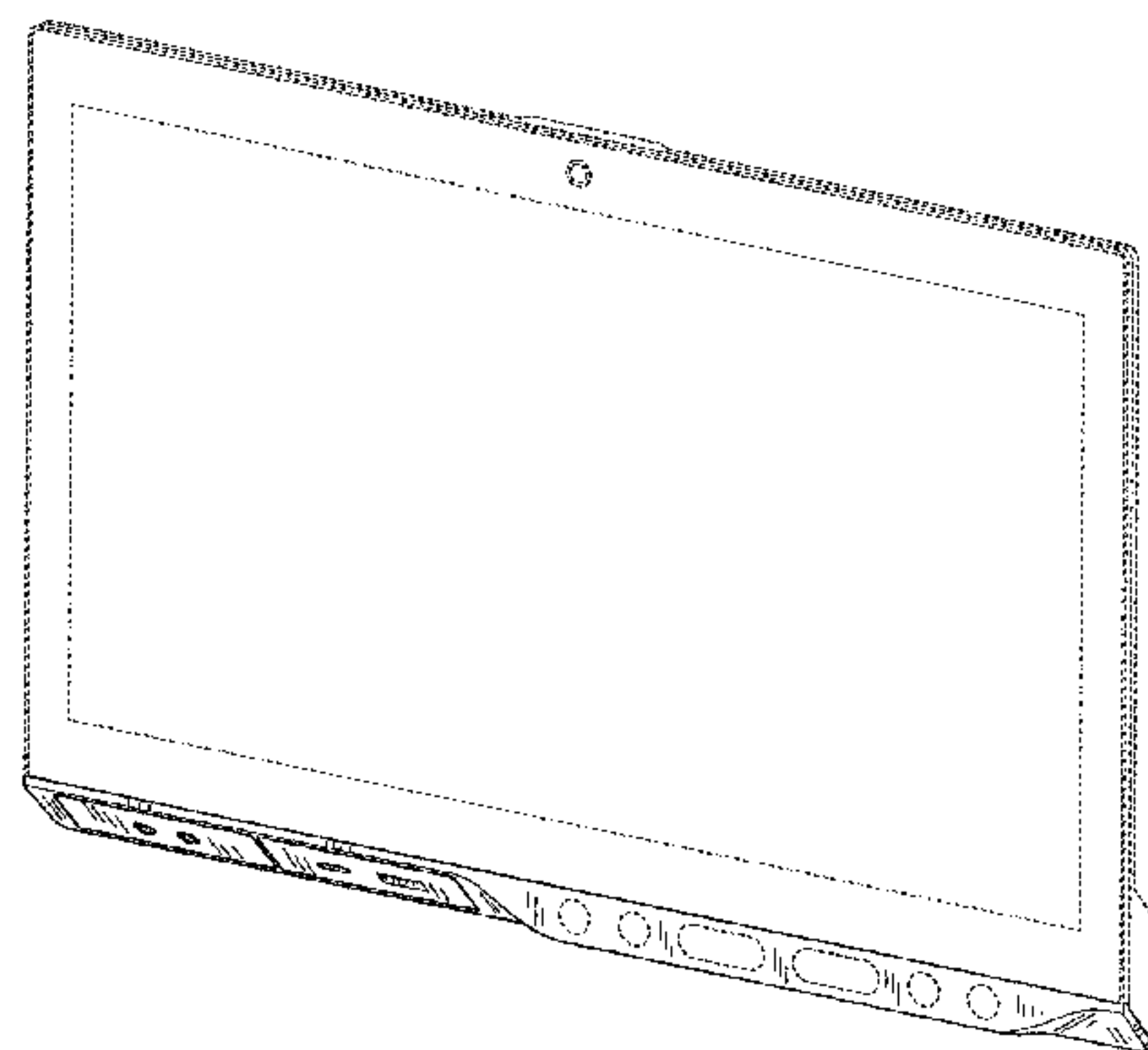


FIG. 18 is a front perspective view of the second embodiment, shown mounted on a seatback for illustrative purposes;

FIG. 19 is a front perspective view of a fourth embodiment of the display system for seatback mounting;

FIG. 20 is a front elevational view of the fourth embodiment;

FIG. 21 is a rear elevational view of the fourth embodiment;

FIG. 22 is a left side elevational view of the fourth embodiment;

FIG. 23 is a right side elevational view of the fourth embodiment;

FIG. 24 is a top plan view of the fourth embodiment;

FIG. 25 is a bottom plan view of the fourth embodiment;

FIG. 26 is a cross-sectional view of the fourth embodiment, taken along line 8-8 of FIG. 20;

FIG. 27 is a front perspective view of the fourth embodiment, shown mounted on a seatback for illustrative purposes;

FIG. 28 is a front perspective view of a fifth embodiment of the display system for seatback mounting;

FIG. 29 is a front elevational view of the fifth embodiment;

FIG. 30 is a rear elevational view of the fifth embodiment;

FIG. 31 is a left side elevational view of the fifth embodiment;

FIG. 32 is a right side elevational view of the fifth embodiment;

FIG. 33 is a top plan view of the fifth embodiment;

FIG. 34 is a bottom plan view of the fifth embodiment;

FIG. 35 is a cross-sectional view of the fifth embodiment, taken along line 8-8 of FIG. 29;

FIG. 36 is a front perspective view of the fifth embodiment, shown mounted on a seatback for illustrative purposes;

FIG. 37 is a front perspective view of a sixth embodiment of the display system for seatback mounting;

FIG. 38 is a front elevational view of the sixth embodiment;

FIG. 39 is a rear elevational view of the sixth embodiment;

FIG. 40 is a left side elevational view of the sixth embodiment;

FIG. 41 is a right side elevational view of the sixth embodiment;

FIG. 42 is a top plan view of the sixth embodiment;

FIG. 43 is a bottom plan view of the sixth embodiment;

FIG. 44 is a cross-sectional view of the sixth embodiment, taken along line 8-8 of FIG. 38;

FIG. 45 is a front perspective view of the sixth embodiment, shown mounted on a seatback for illustrative purposes;

FIG. 46 is a front perspective view of a seventh embodiment of the display system for seatback mounting;

FIG. 47 is a front elevational view of the seventh embodiment;

FIG. 48 is a rear elevational view of the seventh embodiment;

FIG. 49 is a left side elevational view of the seventh embodiment;

FIG. 50 is a right side elevational view of the seventh embodiment;

FIG. 51 is a top plan view of the seventh embodiment;

FIG. 52 is a bottom plan view of the seventh embodiment;

FIG. 53 is a cross-sectional view of the seventh embodiment, taken along line 8-8 of FIG. 47; and,

FIG. 54 is a front perspective view of the seventh embodiment, shown mounted on a seatback for illustrative purposes.

Features drawn in broken lines are shown for illustrative purposes only, and form no part of the claimed design.

1 Claim, 54 Drawing Sheets

(58) **Field of Classification Search**

USPC 312/7.2; 348/836, 838, 180, 184, 325, 348/739; 248/917-924, 465; 345/104, 345/133, 156, 168, 87, 173; D21/329, D21/515, 577, 622, 333, 433, 448, 452, D21/450, 331, 505; D10/15, 26; 446/484, 175, 356; D6/477, 479, 300; D20/10, 19, 39; D16/203, 241; 160/24

CPC G06F 1/1601; G06F 1/1643; G06F 1/1652; G06F 1/1647; G06F 3/0412; H05K 5/0004; H05K 5/0017; H05K 5/02; H05K 5/0217; H04N 13/0459

See application file for complete search history.

(56) **References Cited**

U.S. PATENT DOCUMENTS

4,647,980	A	3/1987	Steventon et al.	
D340,235	S	10/1993	Robak et al.	
5,555,466	A	9/1996	Scribner et al.	
5,610,822	A	3/1997	Murphy	
5,808,660	A	9/1998	Sekine et al.	
6,058,288	A	5/2000	Reed et al.	
6,177,887	B1	1/2001	Jerome	
6,702,604	B1	3/2004	Moscovitch	
6,899,390	B2	5/2005	Sanford et al.	
6,929,218	B1	8/2005	Sanford et al.	
7,036,889	B2	5/2006	Sanford et al.	
7,124,426	B1	10/2006	Tsuria et al.	
D577,503	S	9/2008	Priestman	
D669,873	S	10/2012	Margis et al.	
D669,874	S *	10/2012	Margis	D14/129
D677,639	S	3/2013	Margis et al.	
D688,060	S	8/2013	Sizelove	
D691,103	S *	10/2013	Tuccinardi	D14/129
D702,070	S	4/2014	Sizelove	
D728,536	S *	5/2015	Nada	D14/239
D740,243	S	10/2015	Bieler	
D749,052	S	2/2016	Margis et al.	
D753,077	S	4/2016	Margis et al.	
D773,423	S	12/2016	Margis et al.	
2002/0045484	A1	4/2002	Eck et al.	
2004/0077308	A1	4/2004	Sanford et al.	
2005/0021602	A1	1/2005	Noel et al.	
2005/0132407	A1	6/2005	Boyer, Jr. et al.	
2005/0278754	A1	12/2005	Bleacher et al.	
2006/0107295	A1	5/2006	Margis et al.	
2008/0023600	A1	1/2008	Perlman	
2009/0077595	A1	3/2009	Sizelove et al.	
2009/0079705	A1	3/2009	Sizelove et al.	
2009/0119721	A1	5/2009	Perlman et al.	
2010/0162326	A1	6/2010	Bonar	

FOREIGN PATENT DOCUMENTS

WO	03/05000	A1	6/2003
WO	2006/052941	A1	5/2006

OTHER PUBLICATIONS

Kirby, M., "Runway Girl, Thales is Getting Slim Too," http://www.flightglobal.com/blogs/runway-girl/2010/04/airbus_a350_drives_innovation/, Apr. 12, 2010.

* cited by examiner

FIG. 1

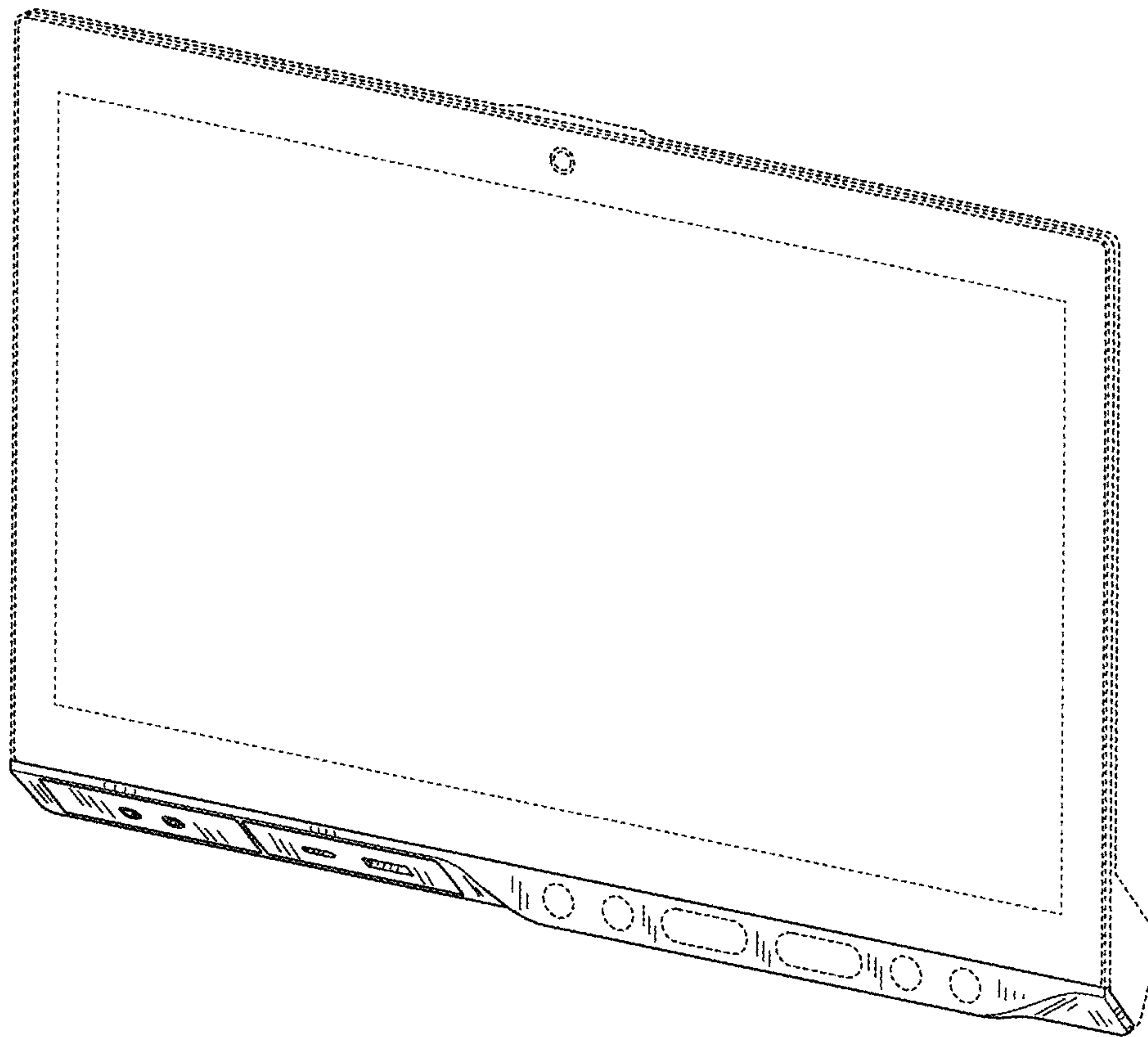


FIG. 2

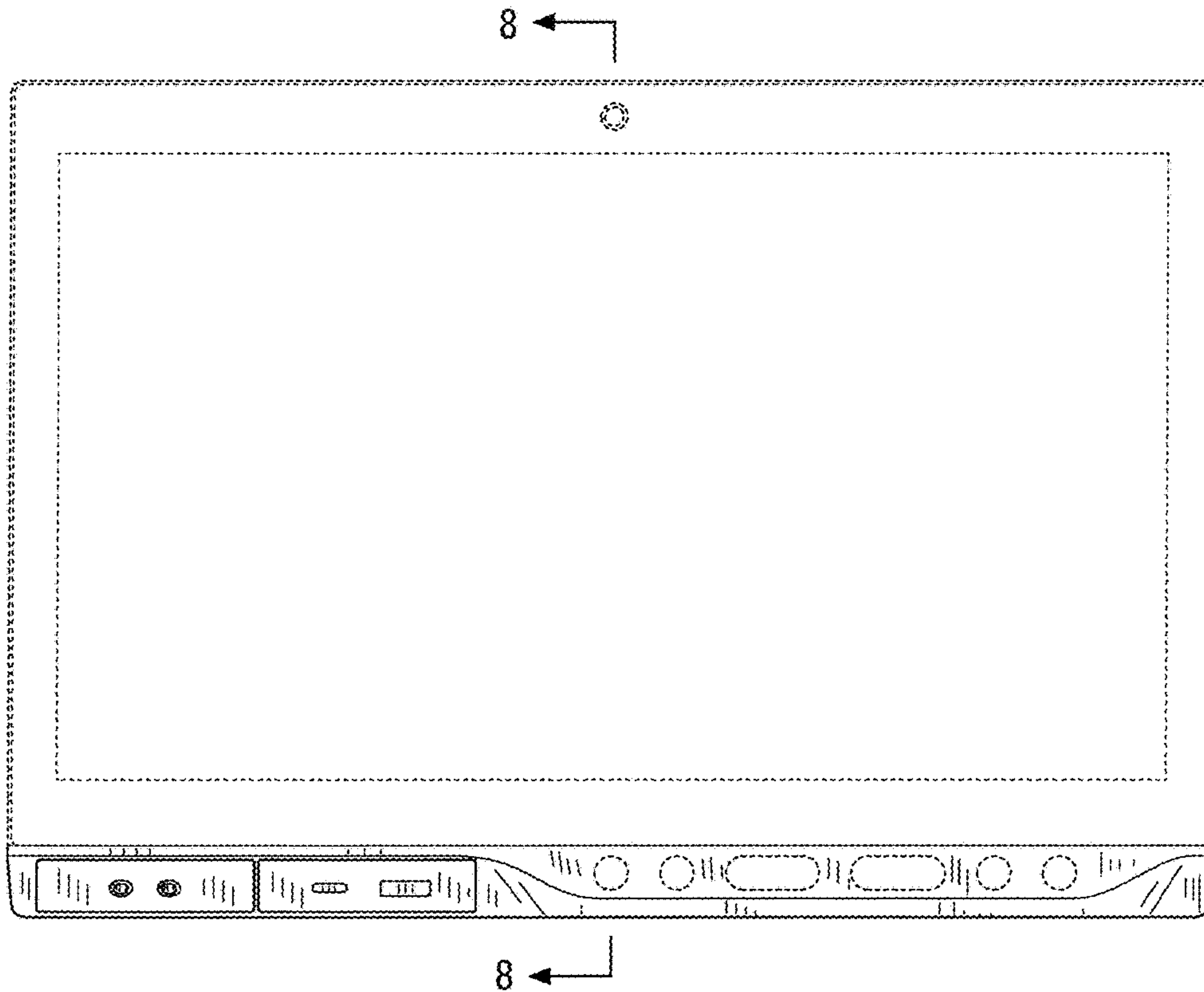


FIG. 3

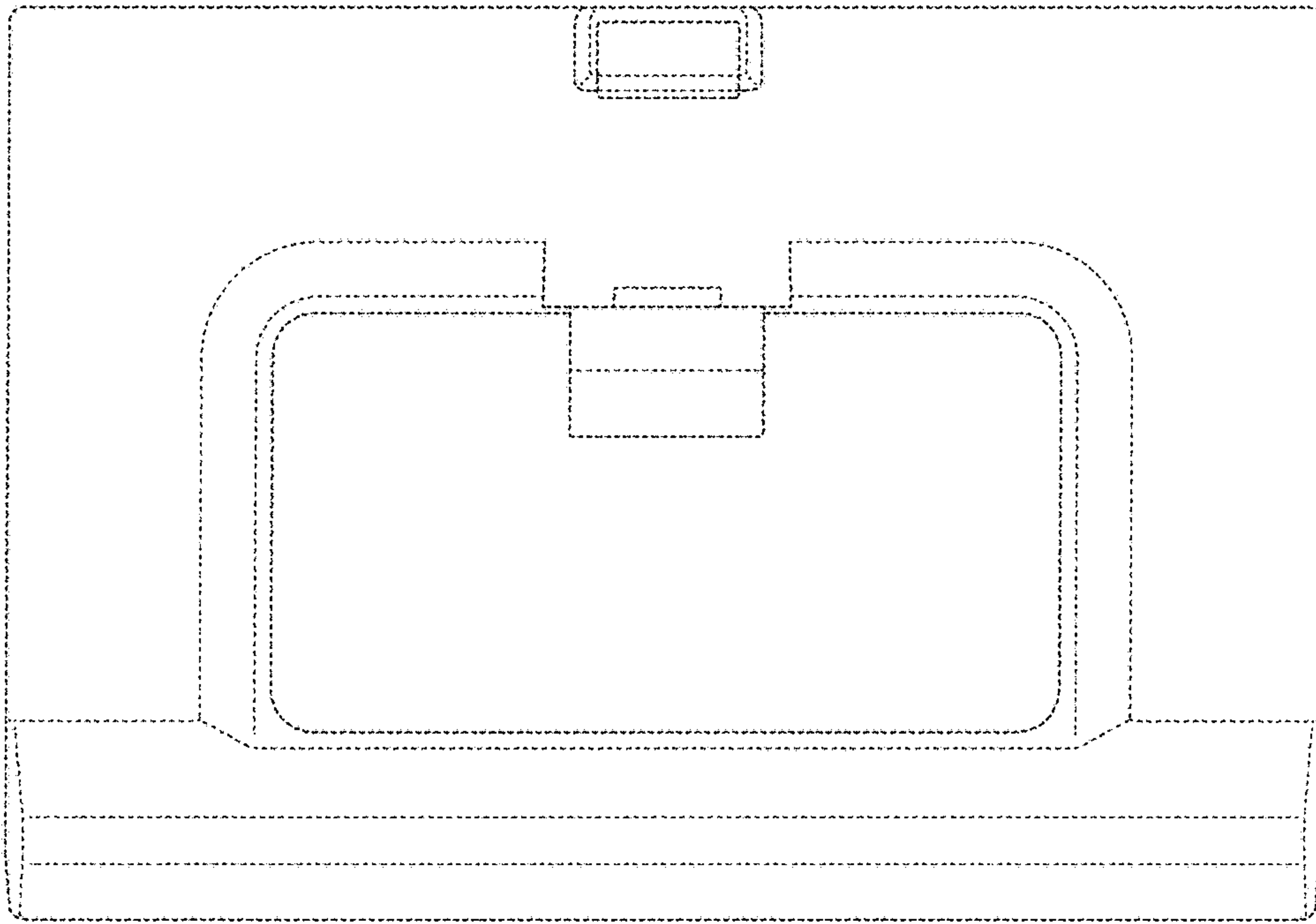


FIG. 4

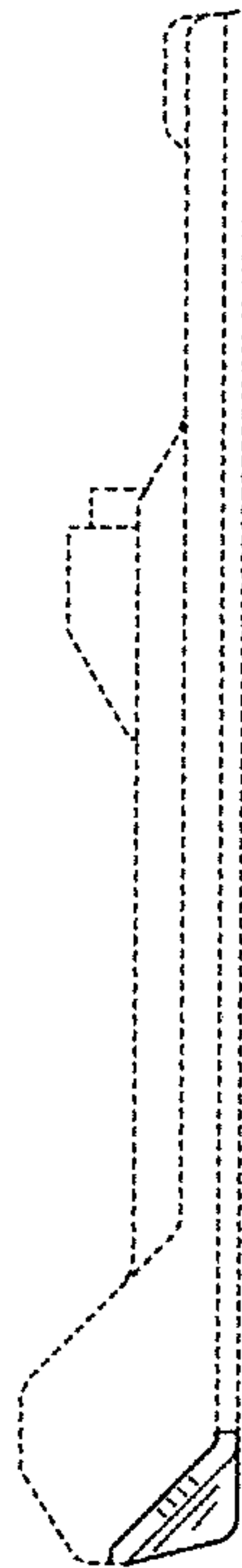


FIG. 5

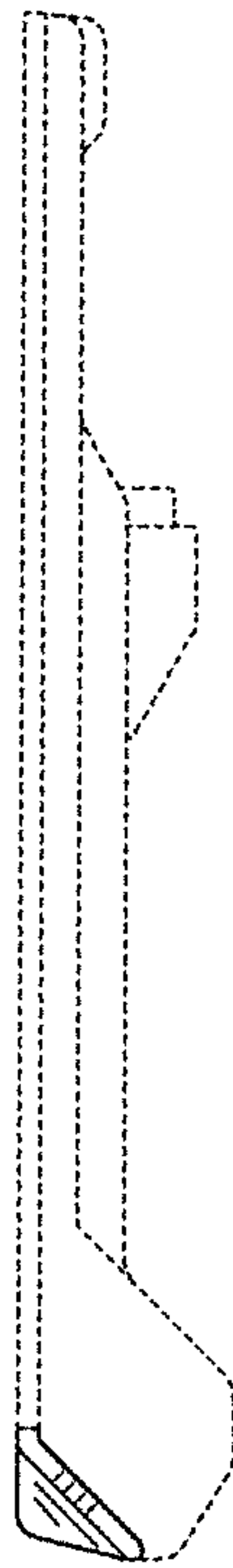


FIG. 6

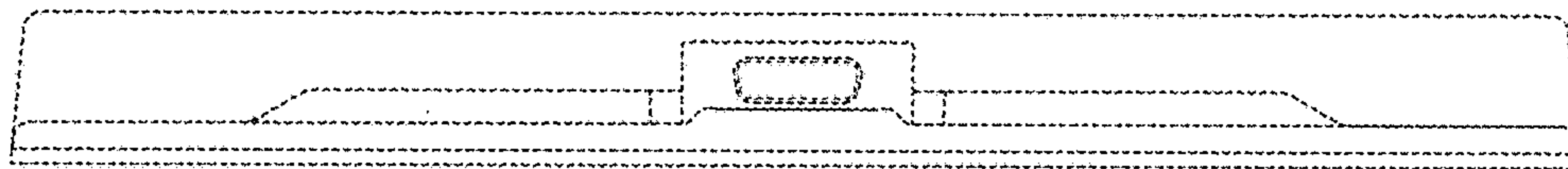


FIG. 7

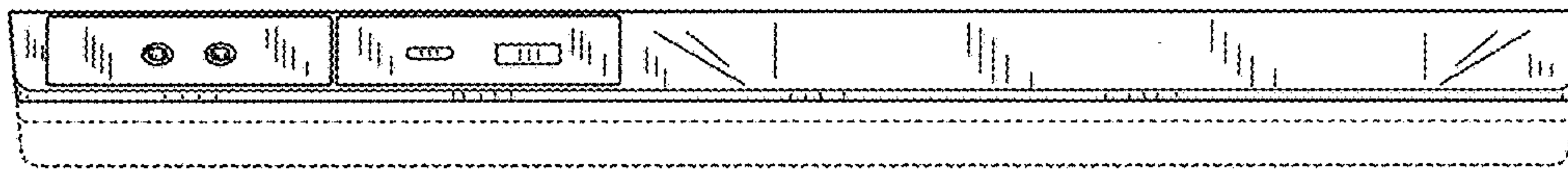


FIG. 8

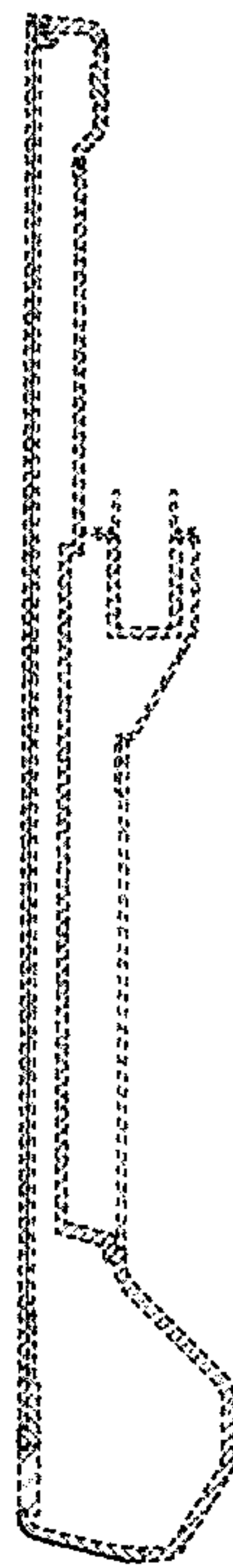


FIG. 9

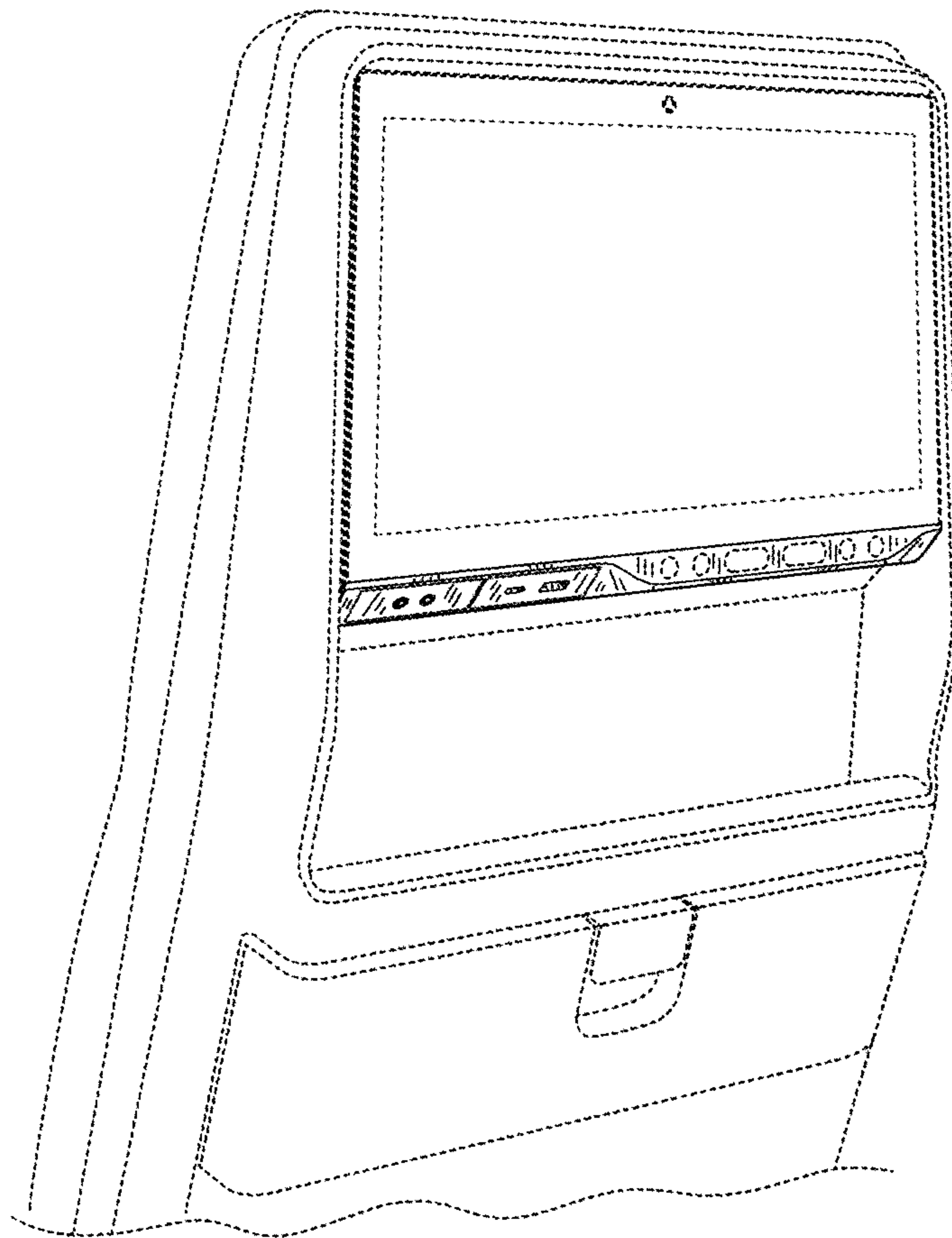


FIG. 10

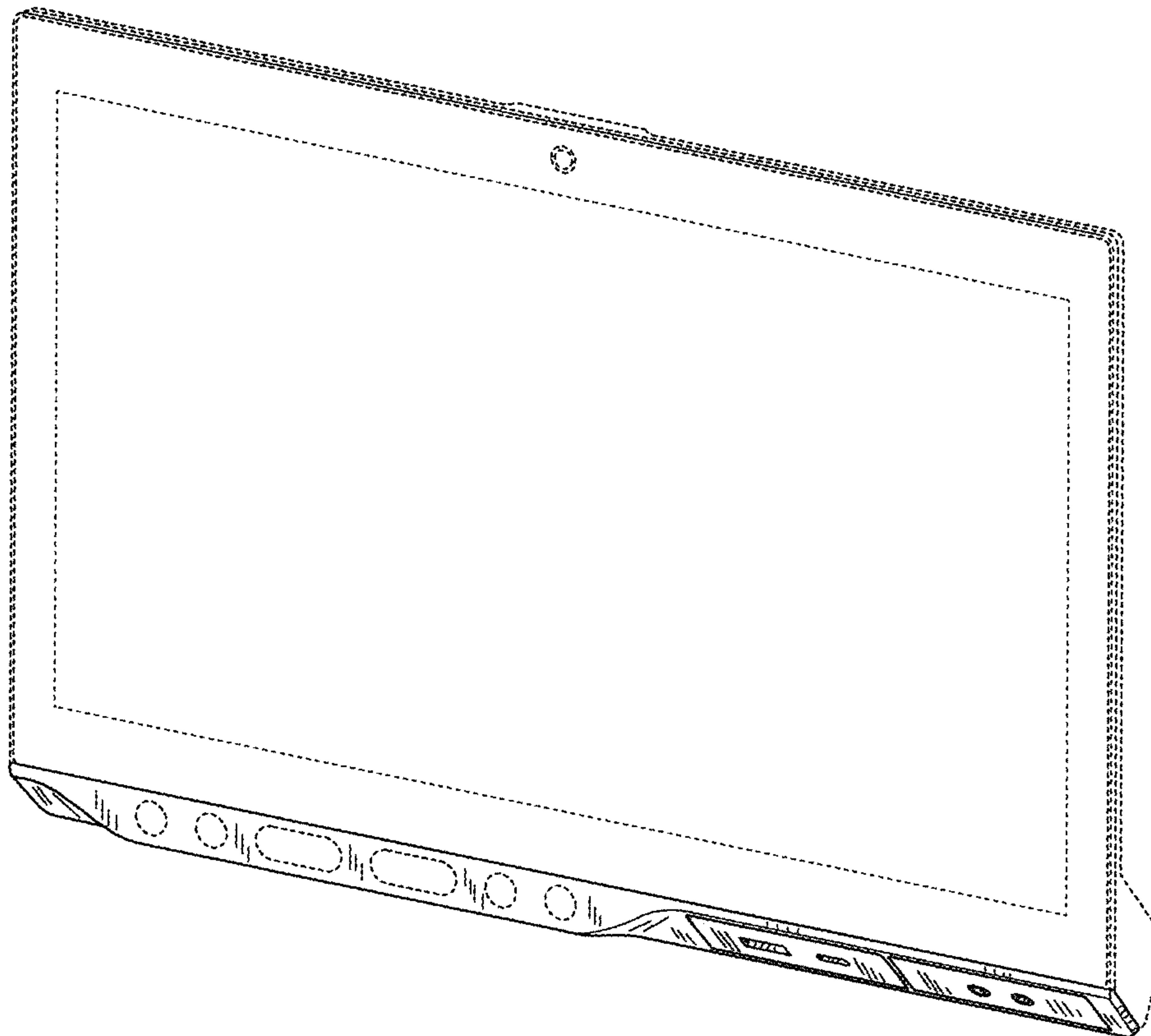


FIG. 11

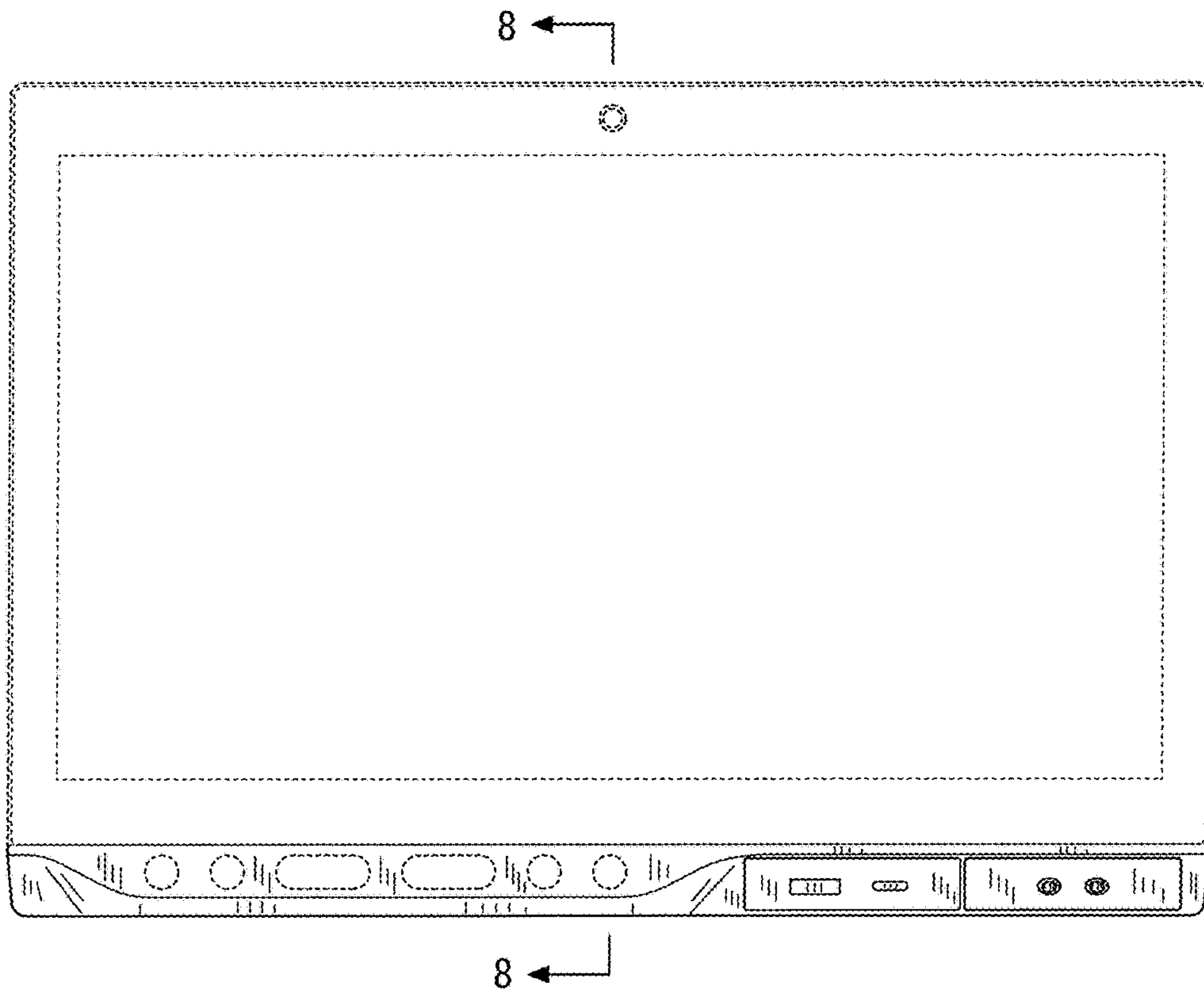


FIG. 12

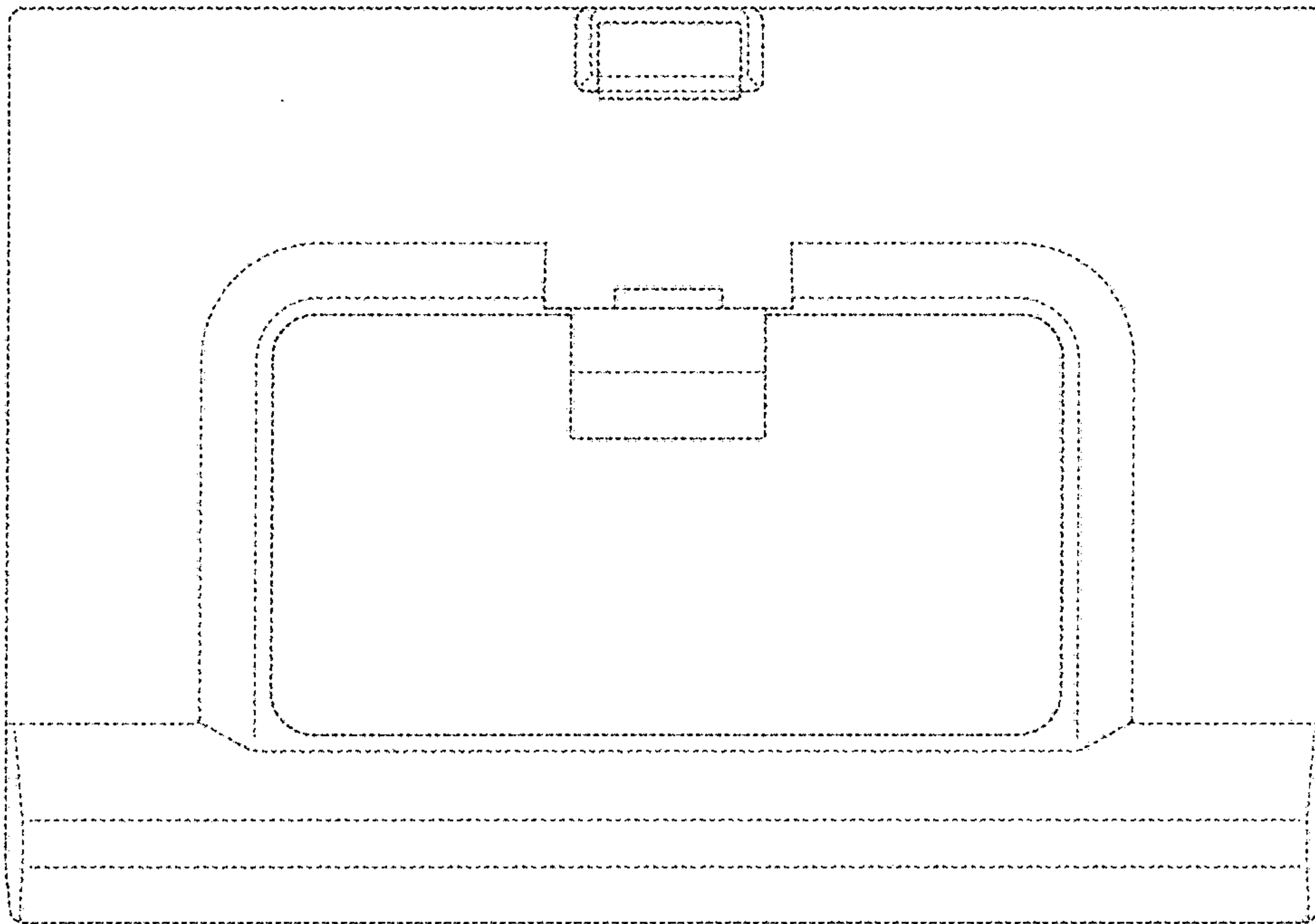


FIG. 13

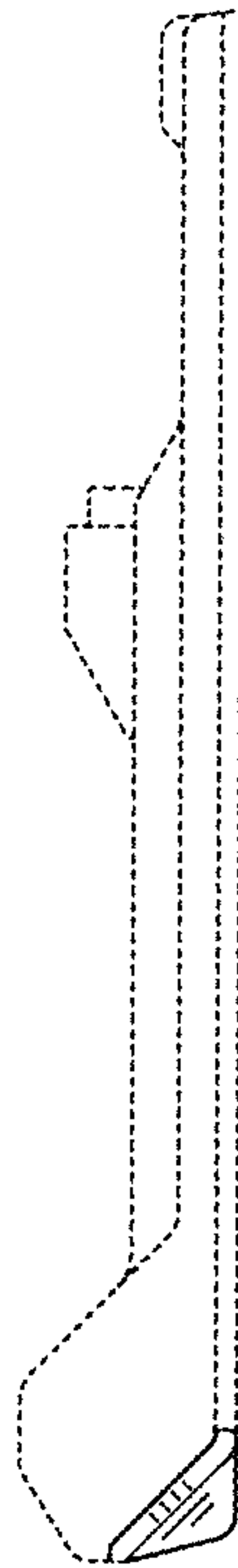


FIG. 14

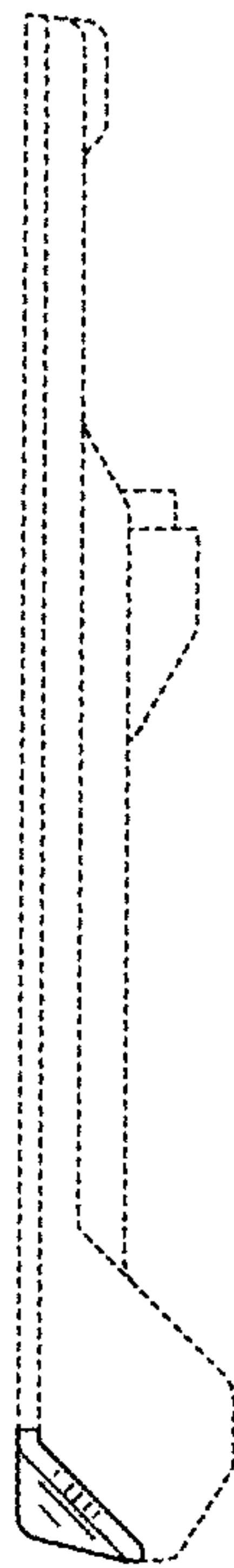


FIG. 15

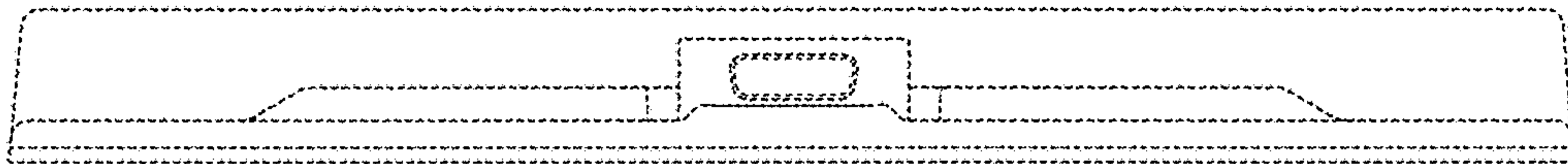


FIG. 16

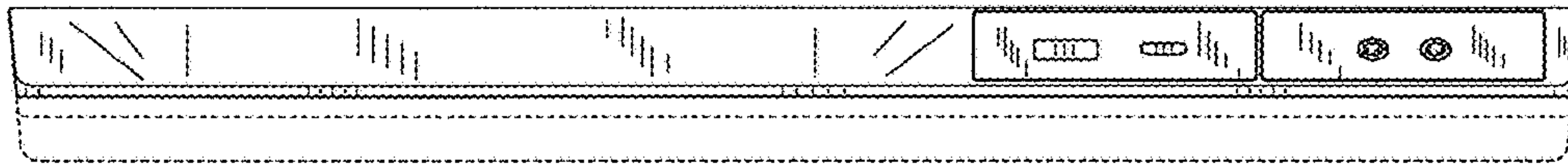


FIG. 17

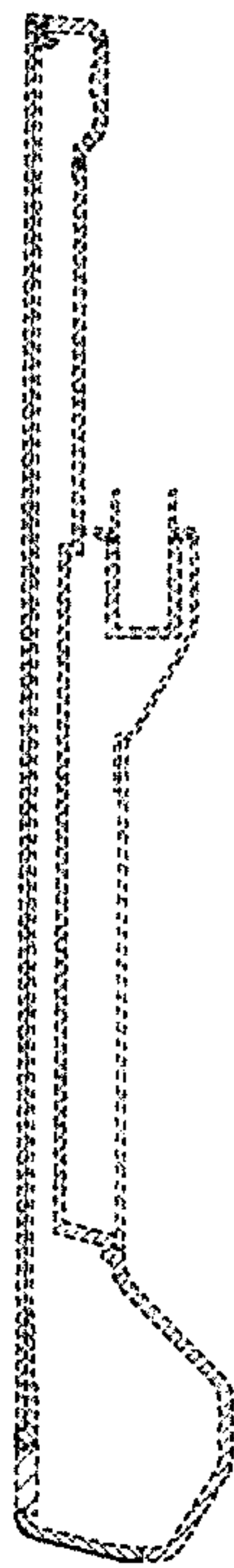


FIG. 18

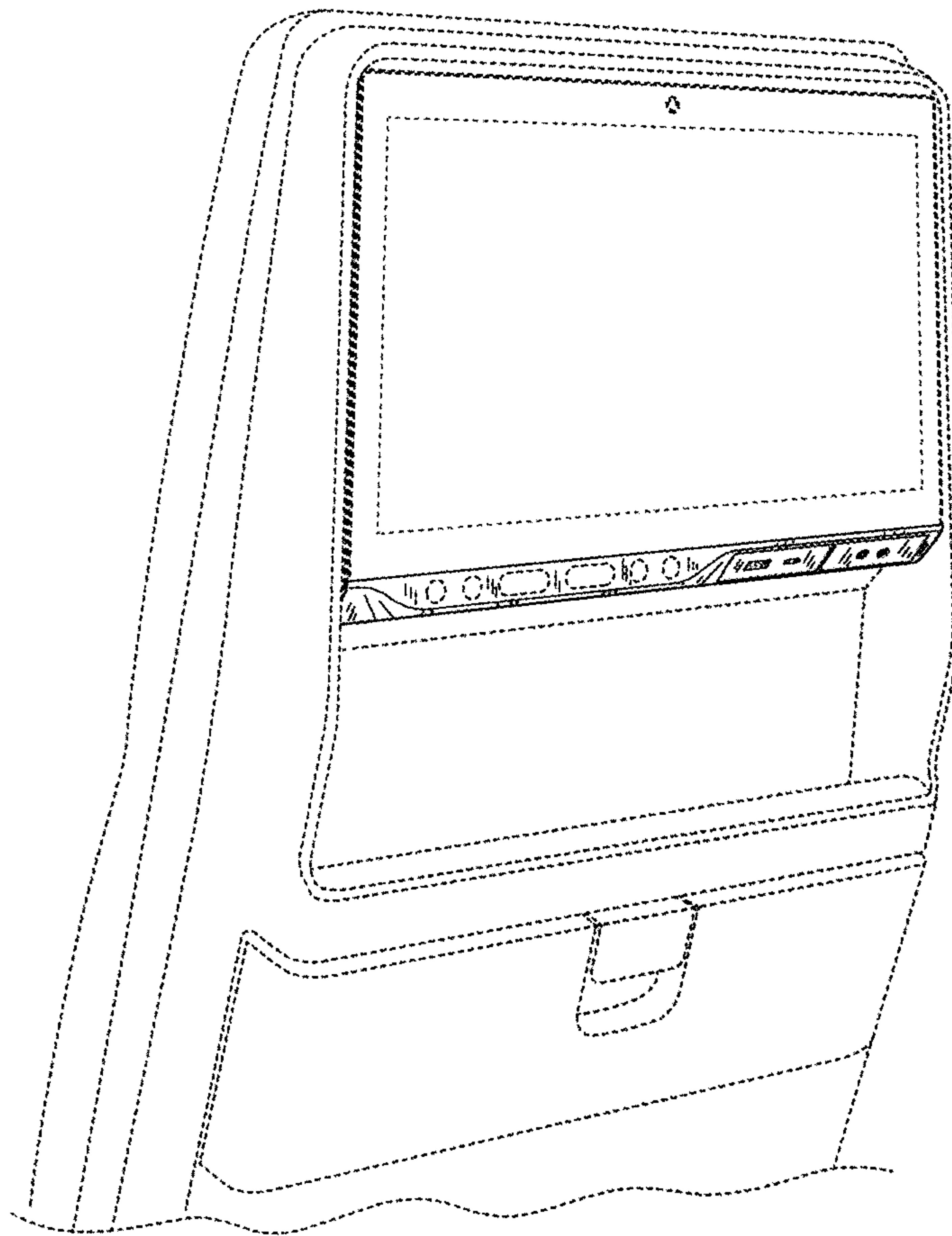


FIG. 19

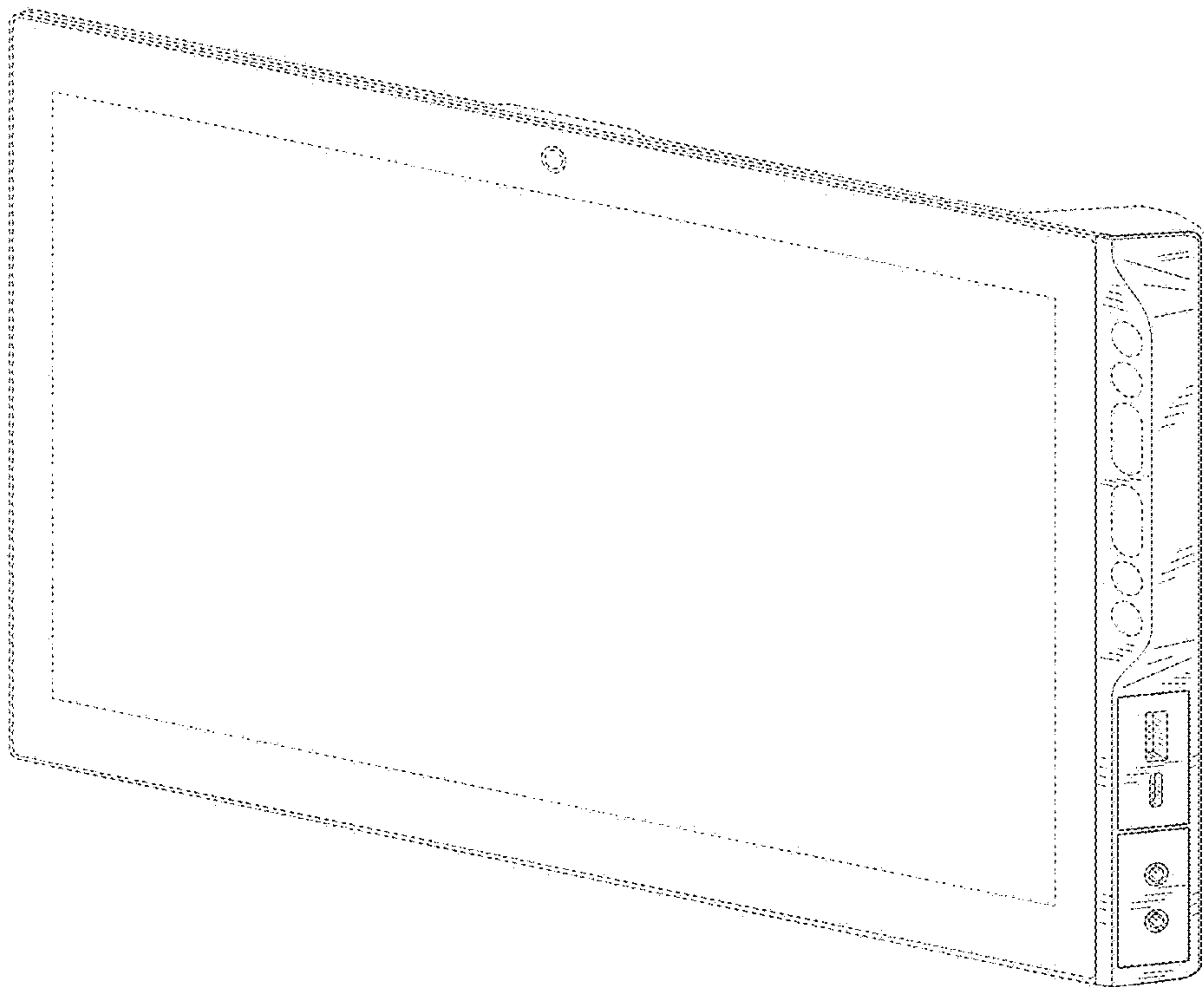


FIG. 20



FIG. 21

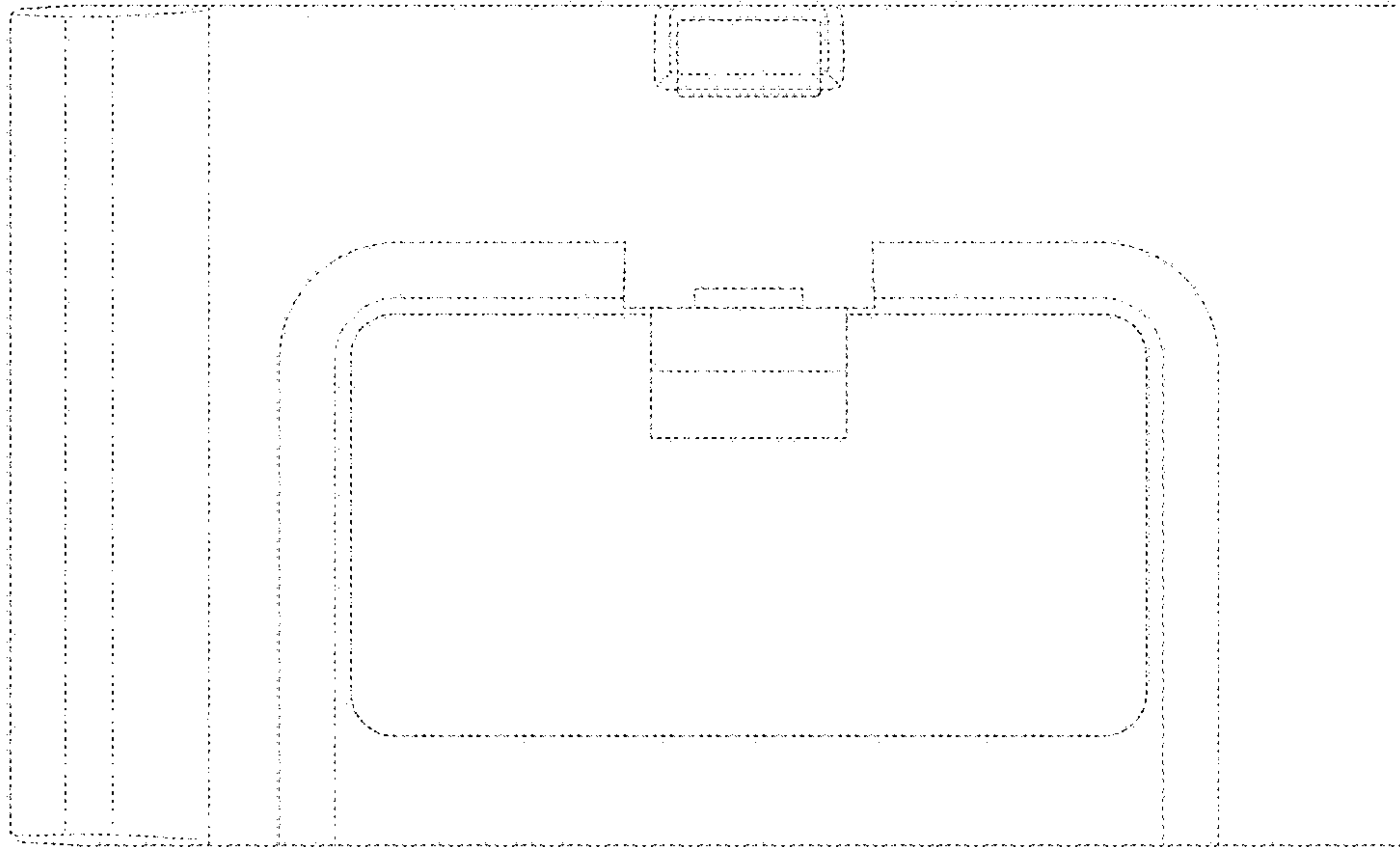


FIG. 22

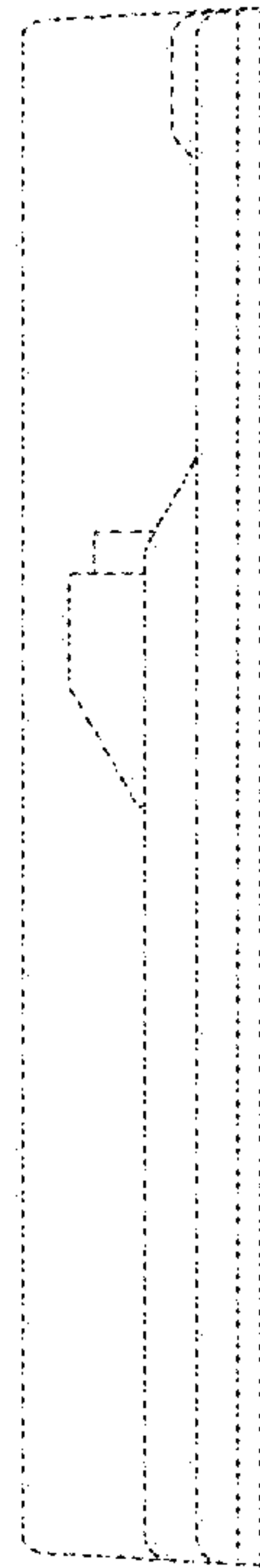


FIG. 23

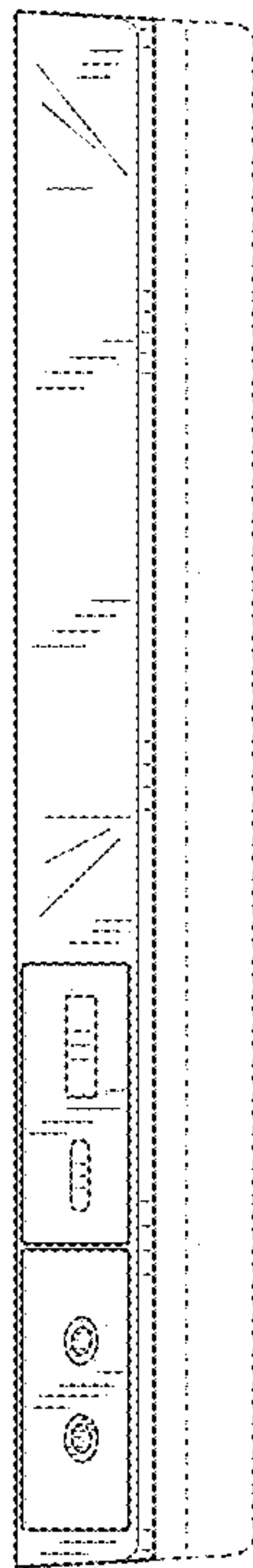


FIG. 24

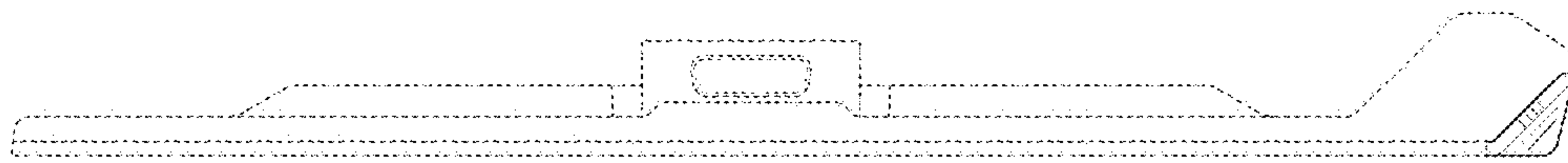


FIG. 25

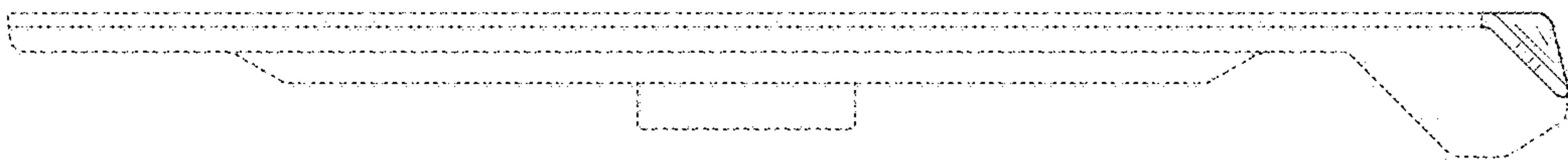


FIG. 26

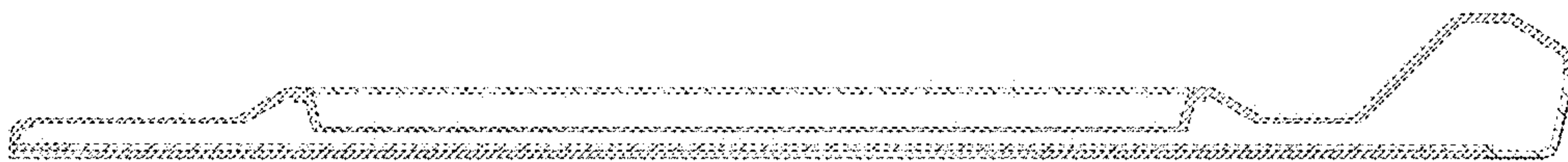


FIG. 27

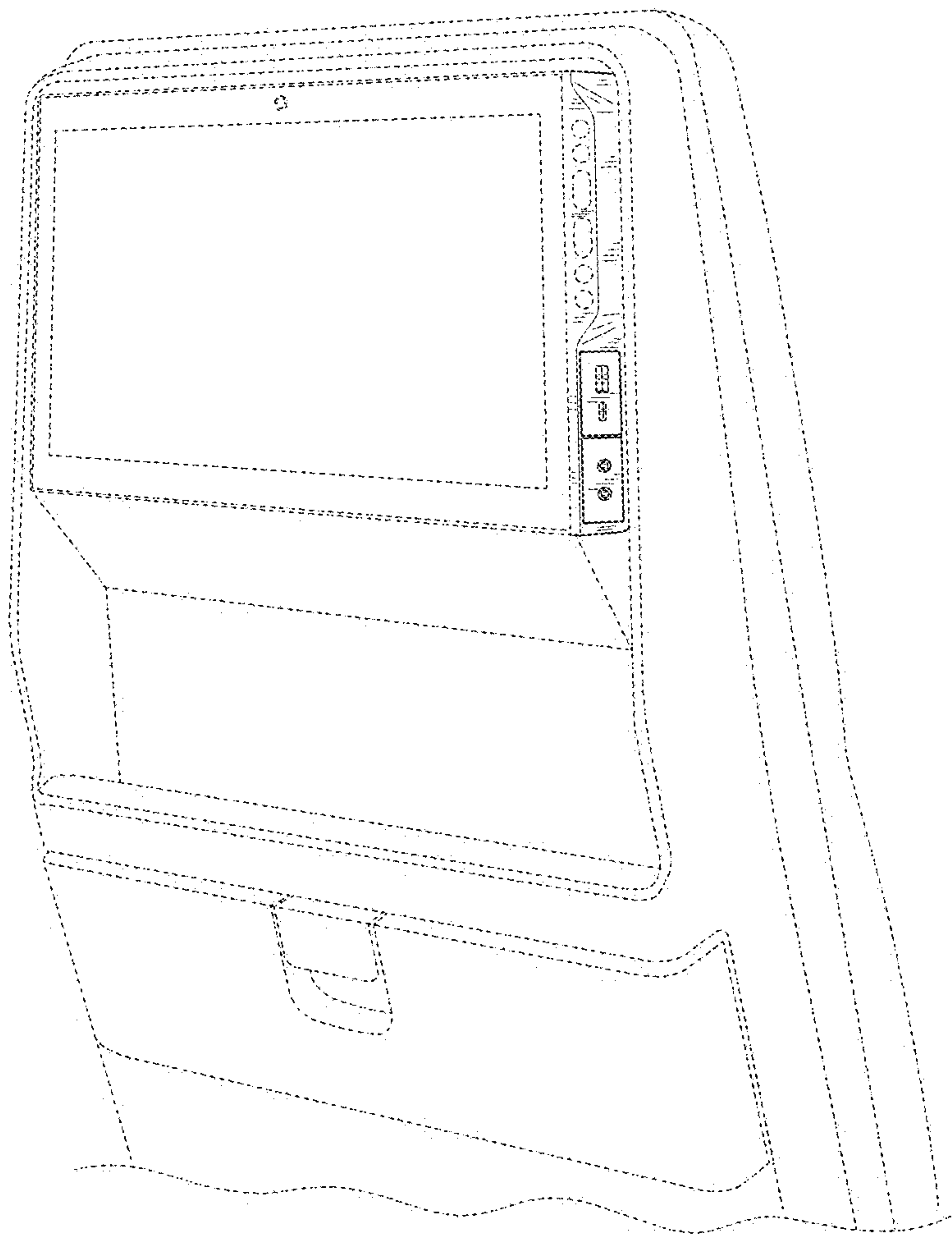


FIG. 28

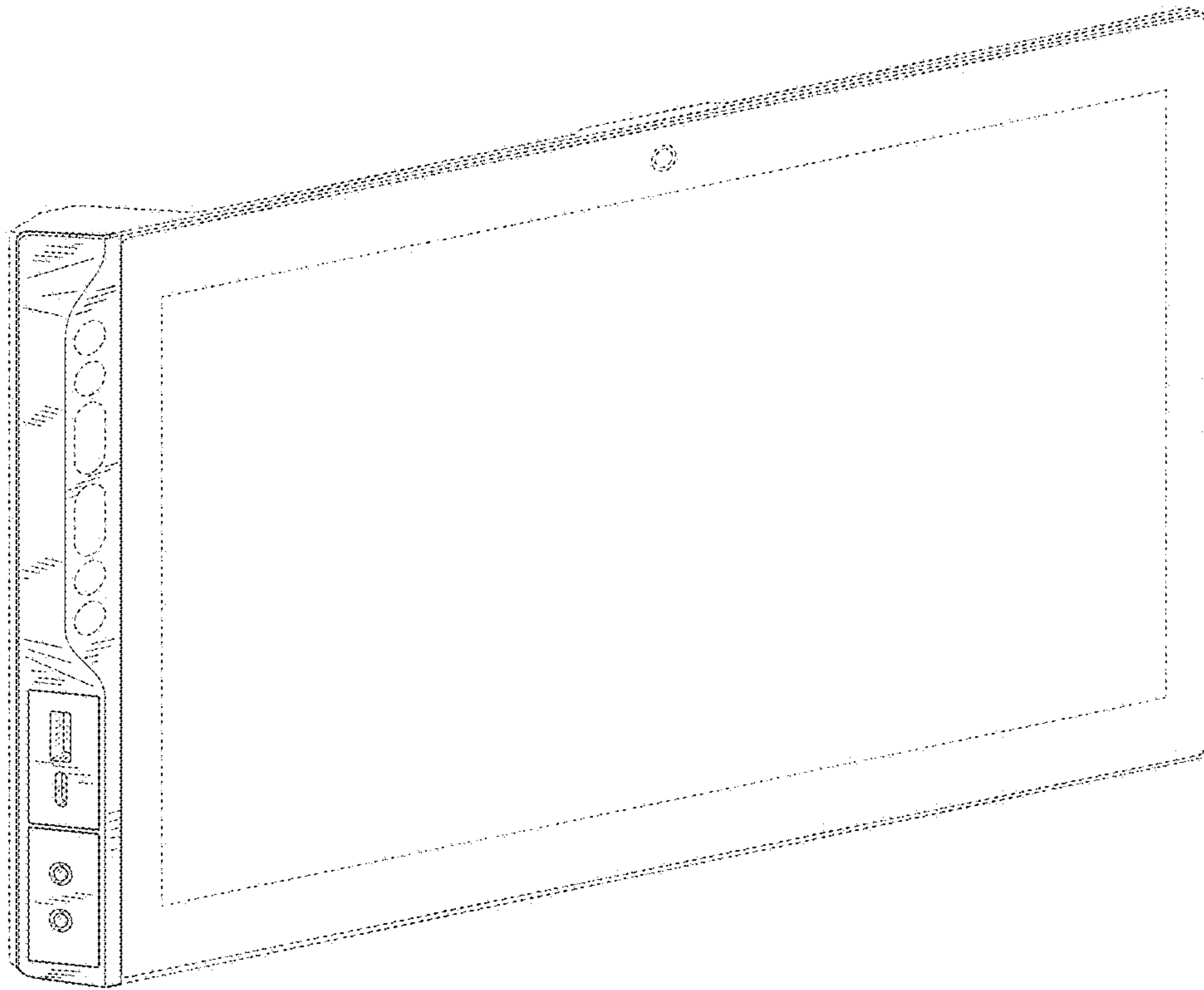


FIG. 29

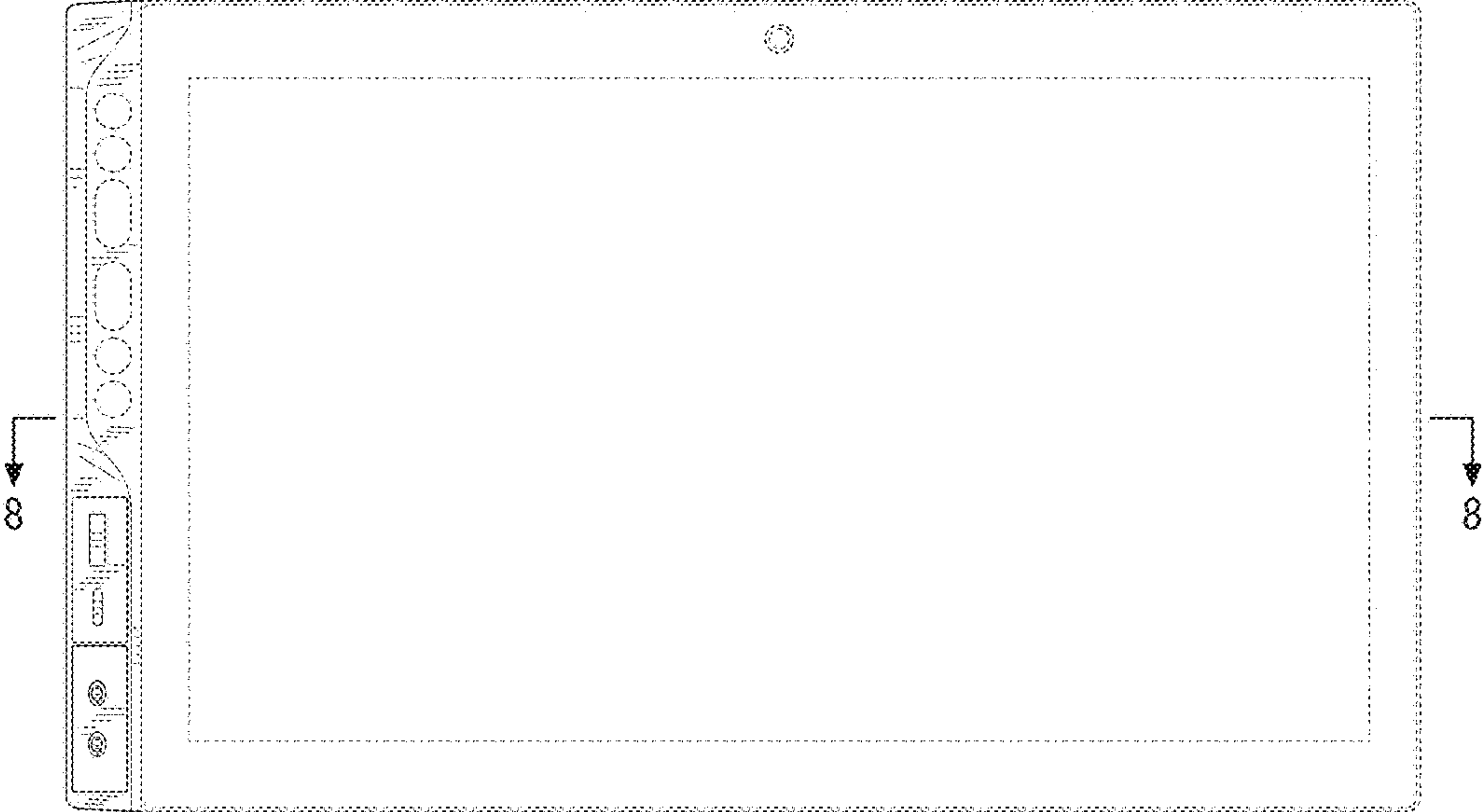


FIG. 30

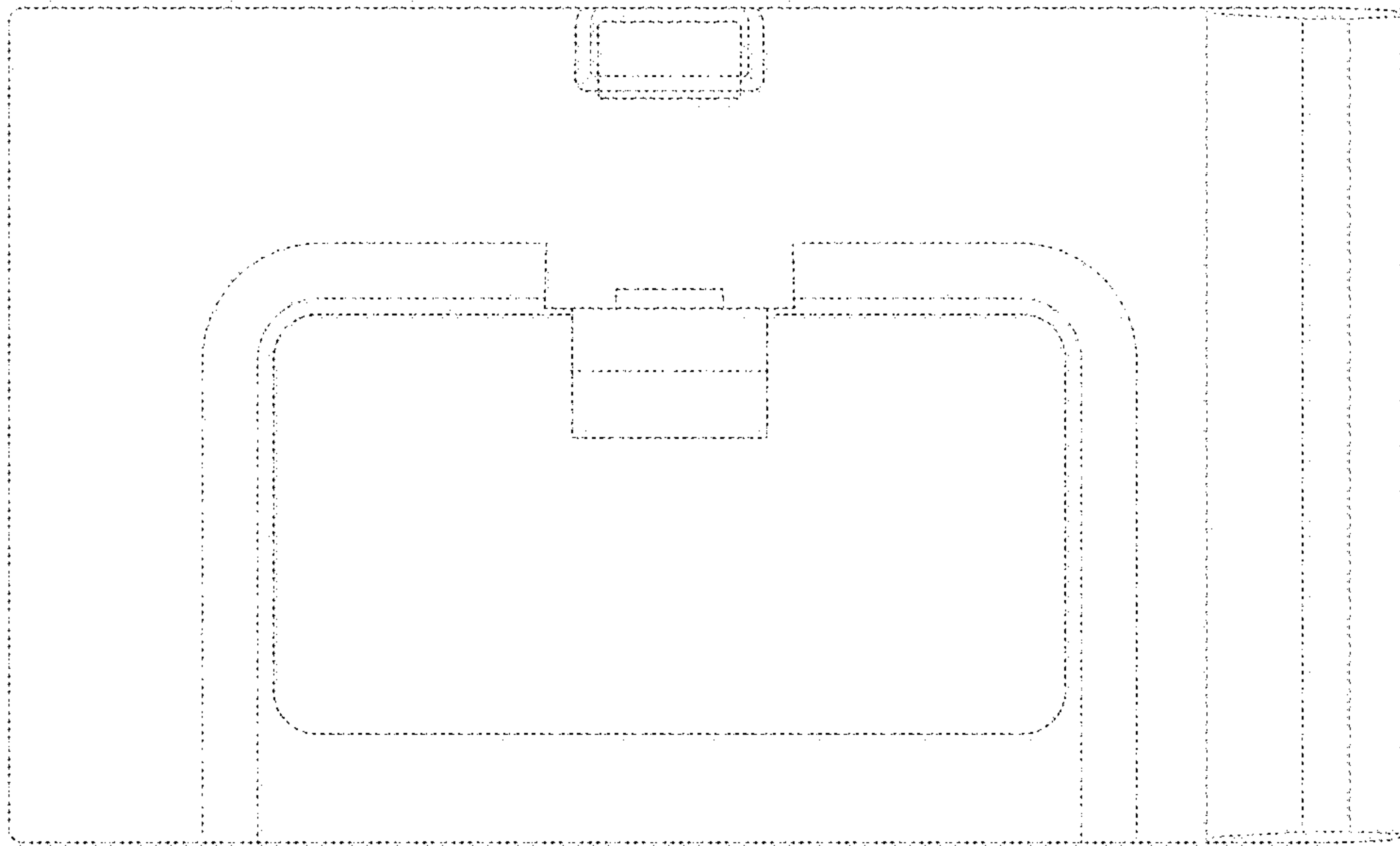


FIG. 31

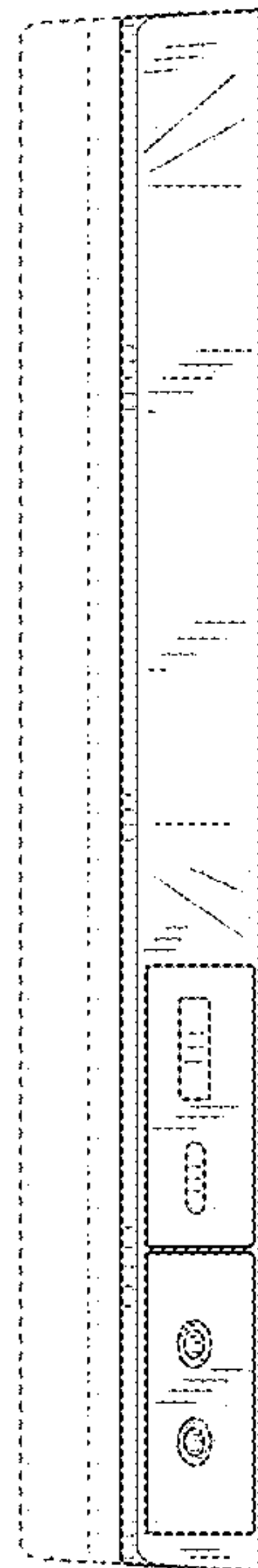


FIG. 32

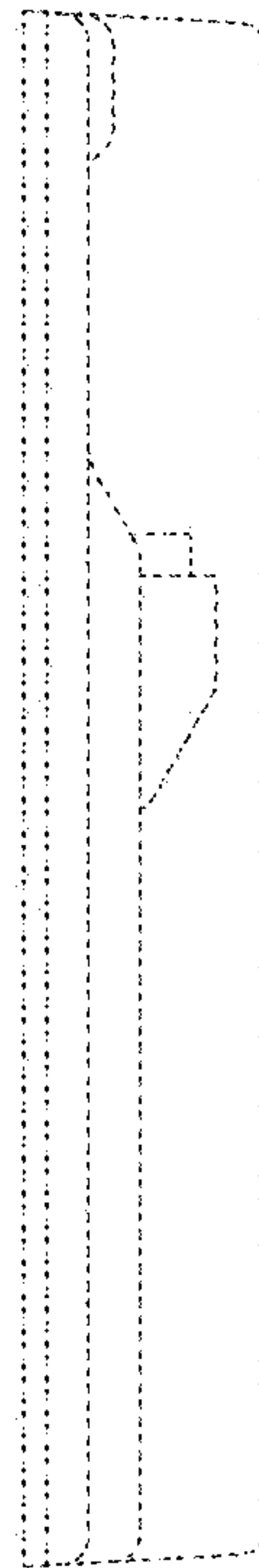


FIG. 33

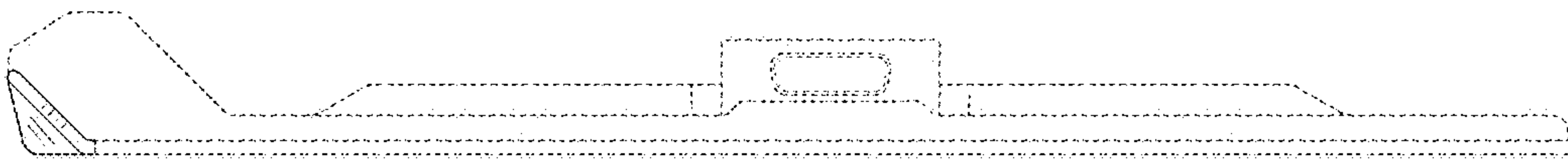


FIG. 34

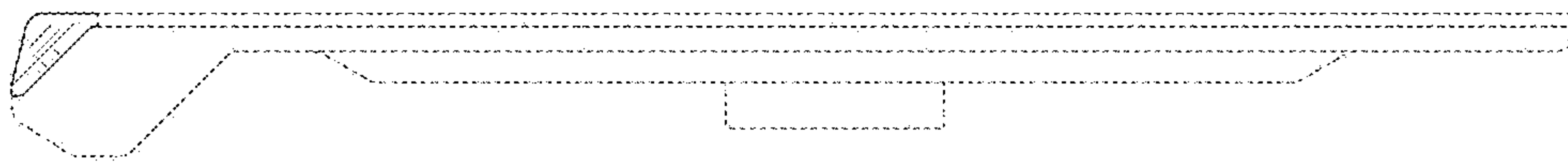


FIG. 35

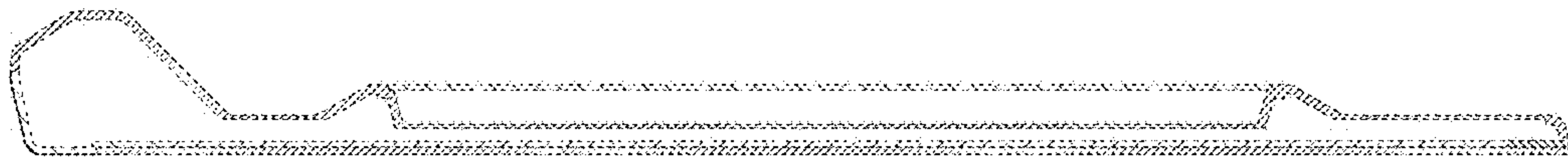


FIG. 36

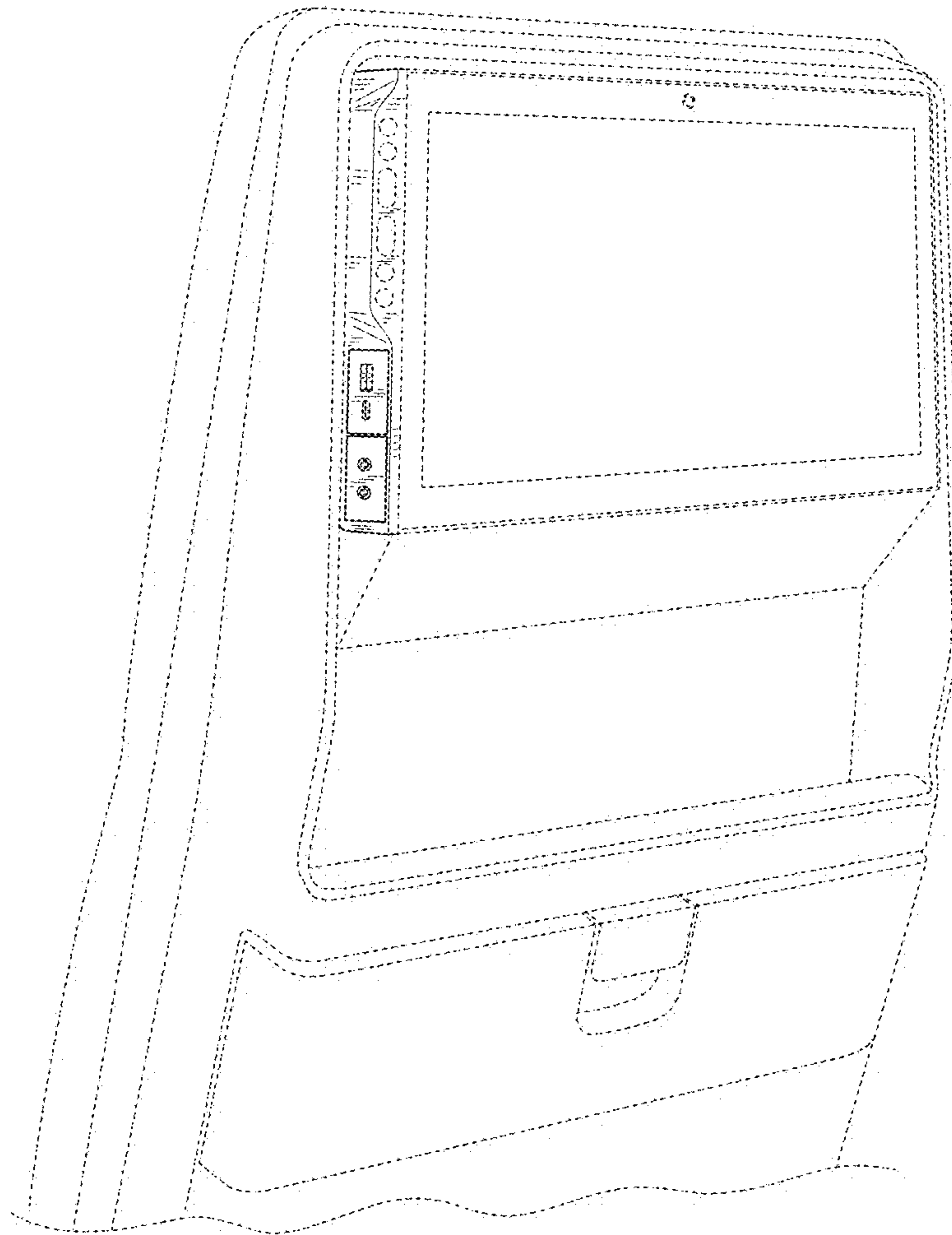


FIG. 37

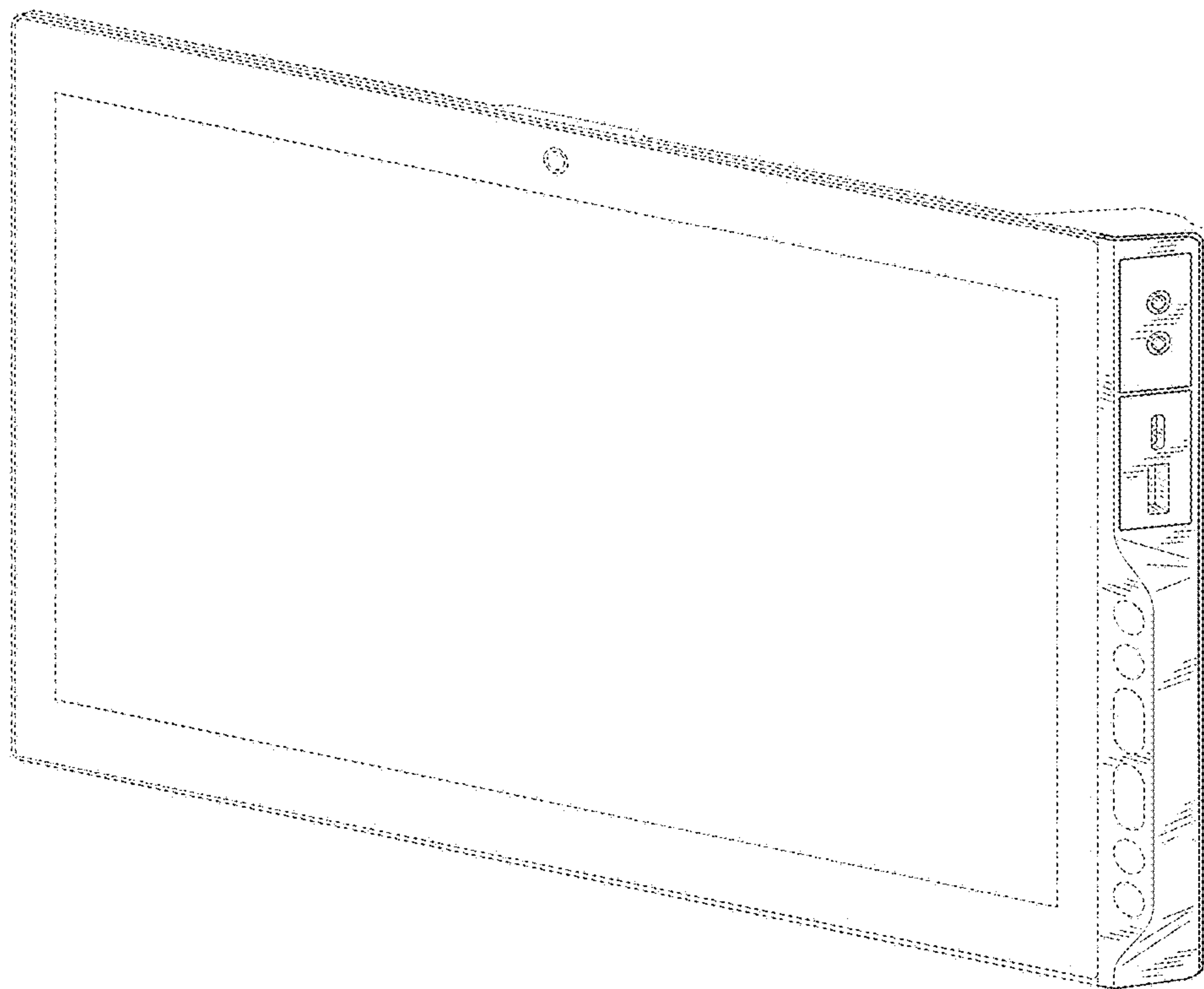


FIG. 38

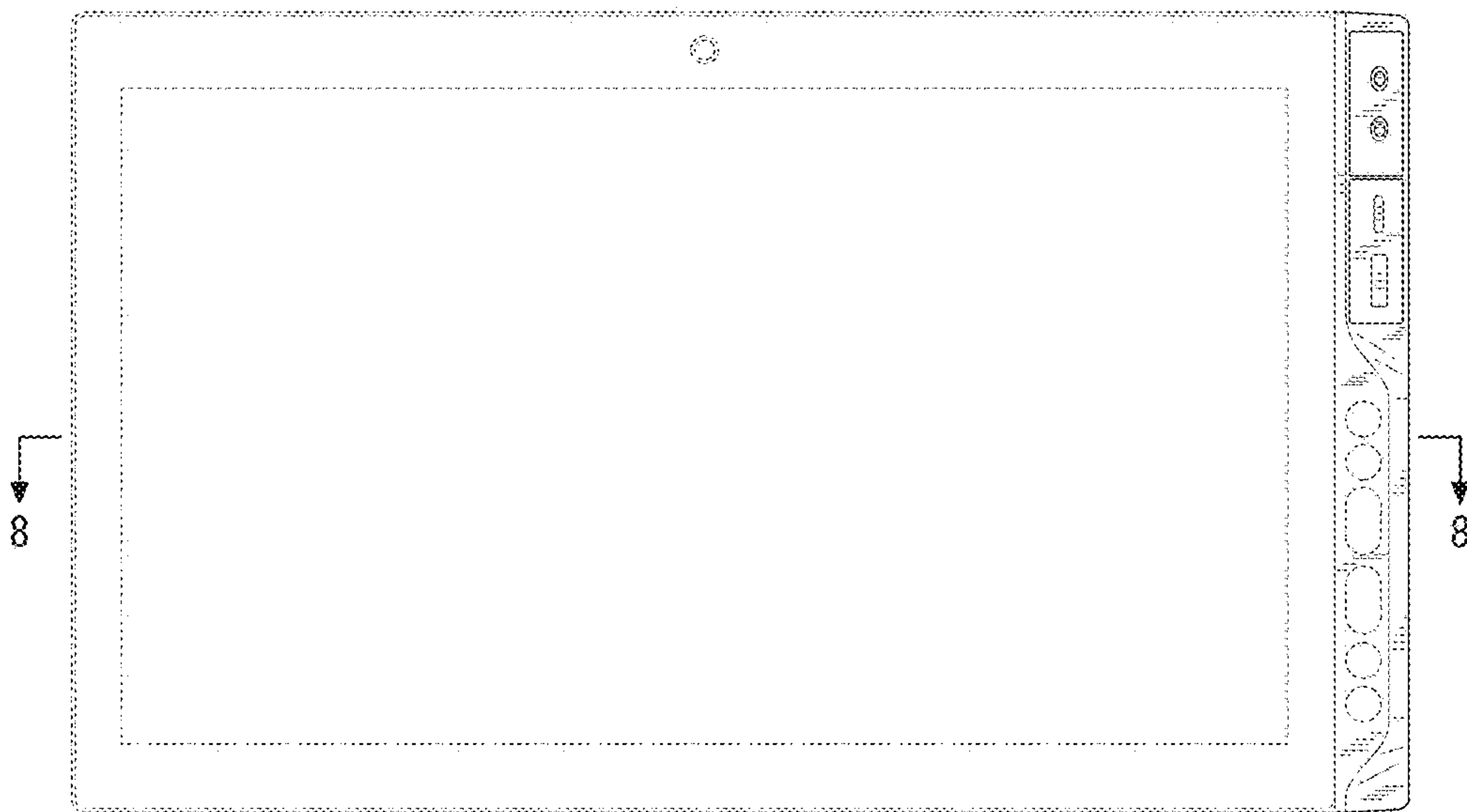


FIG. 39

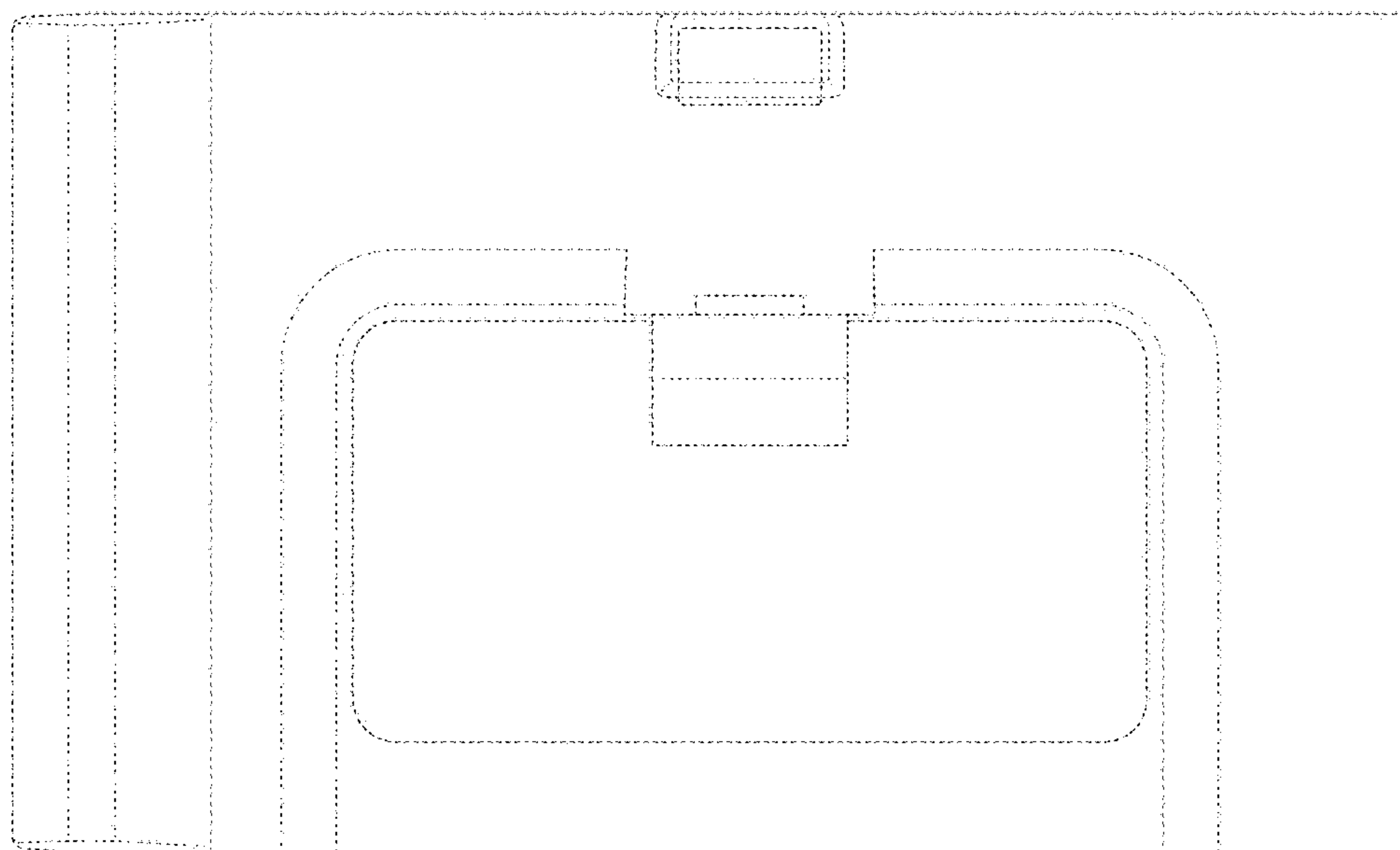


FIG. 40

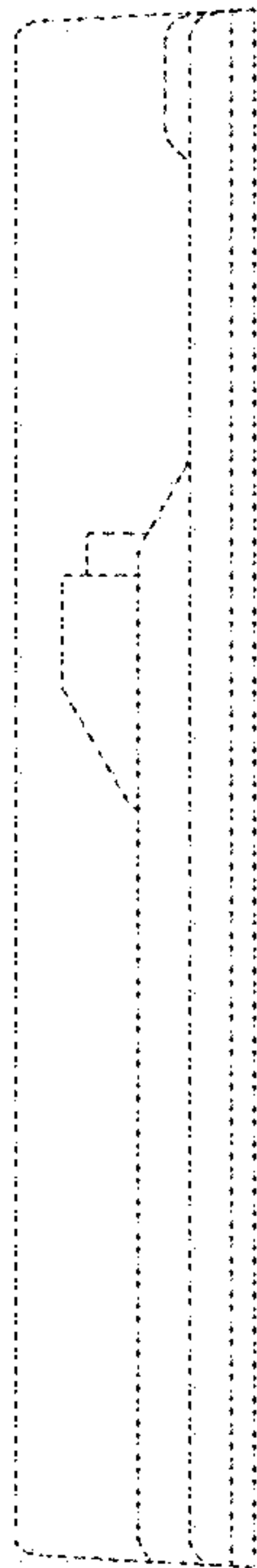


FIG. 41

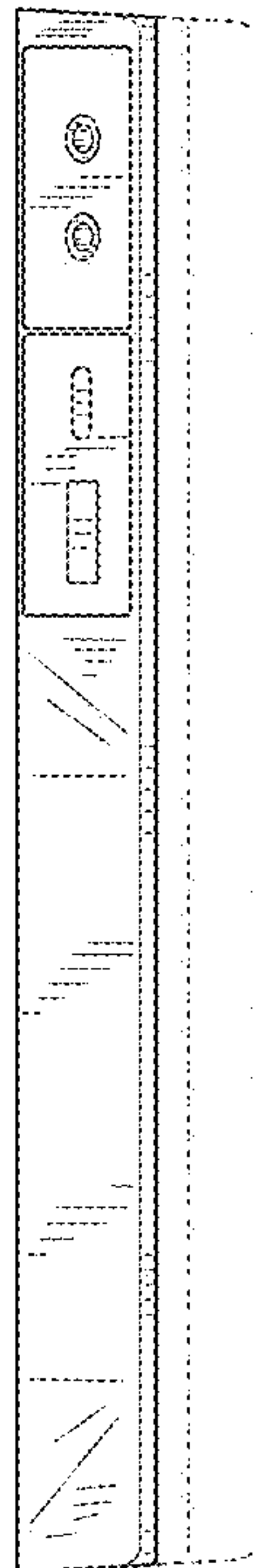


FIG. 42

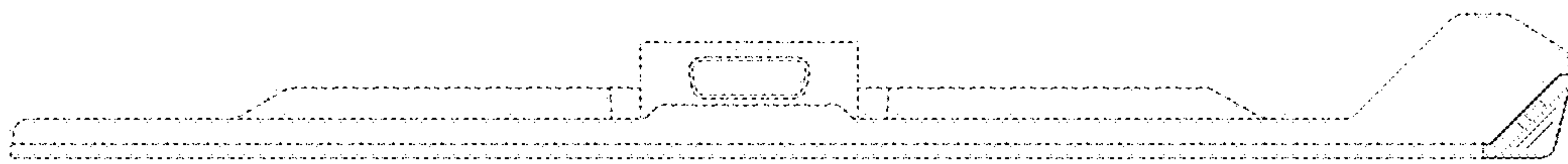


FIG. 43

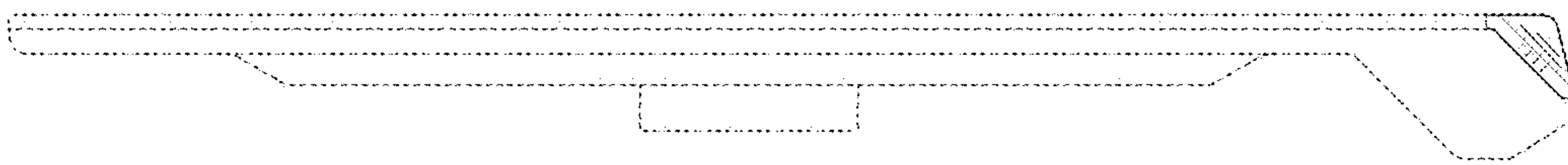


FIG. 44

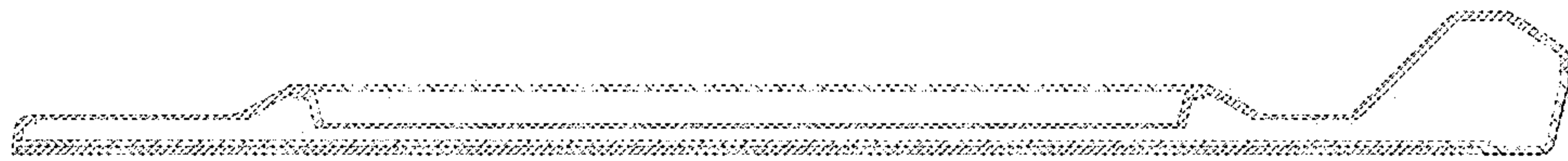


FIG. 45

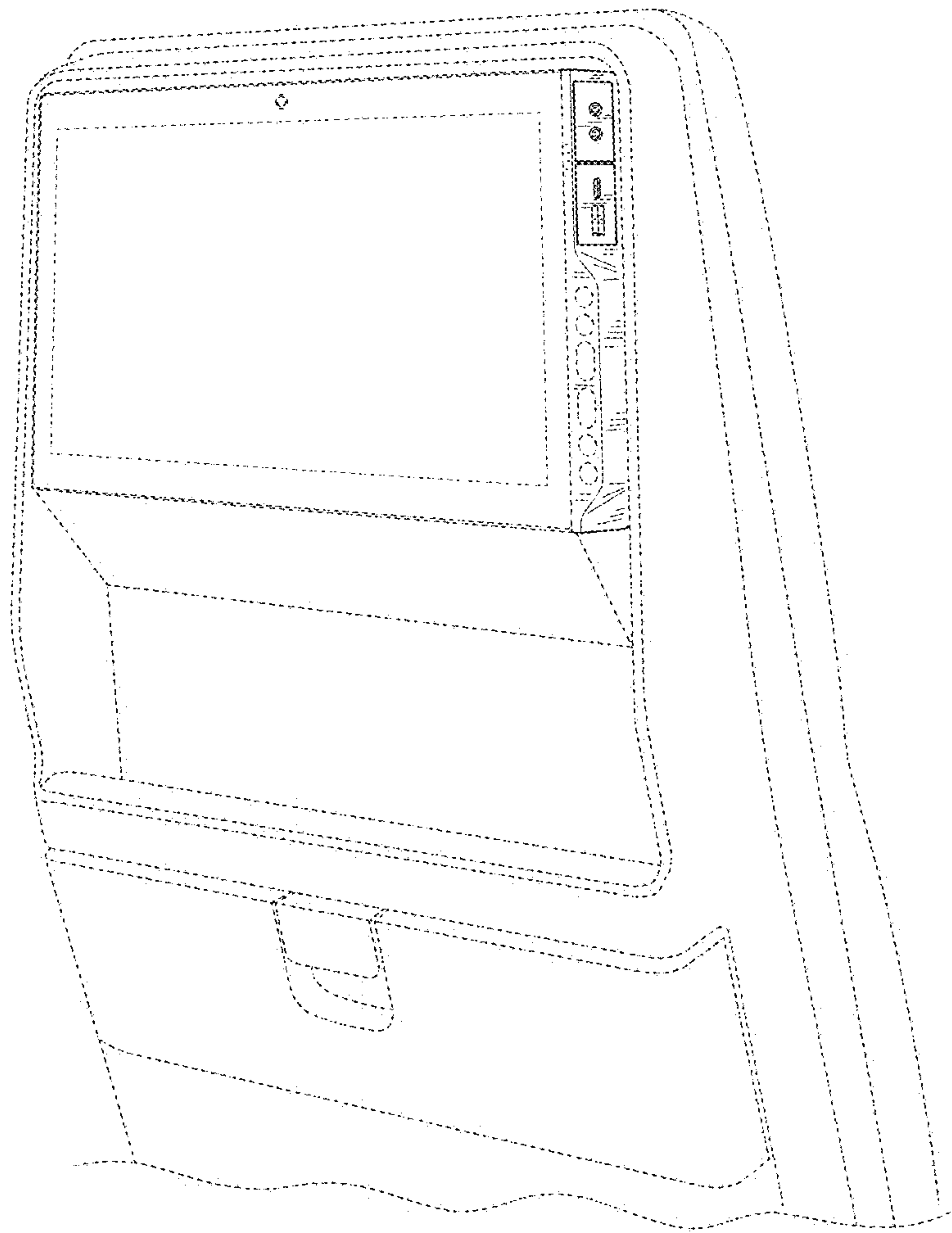


FIG. 46

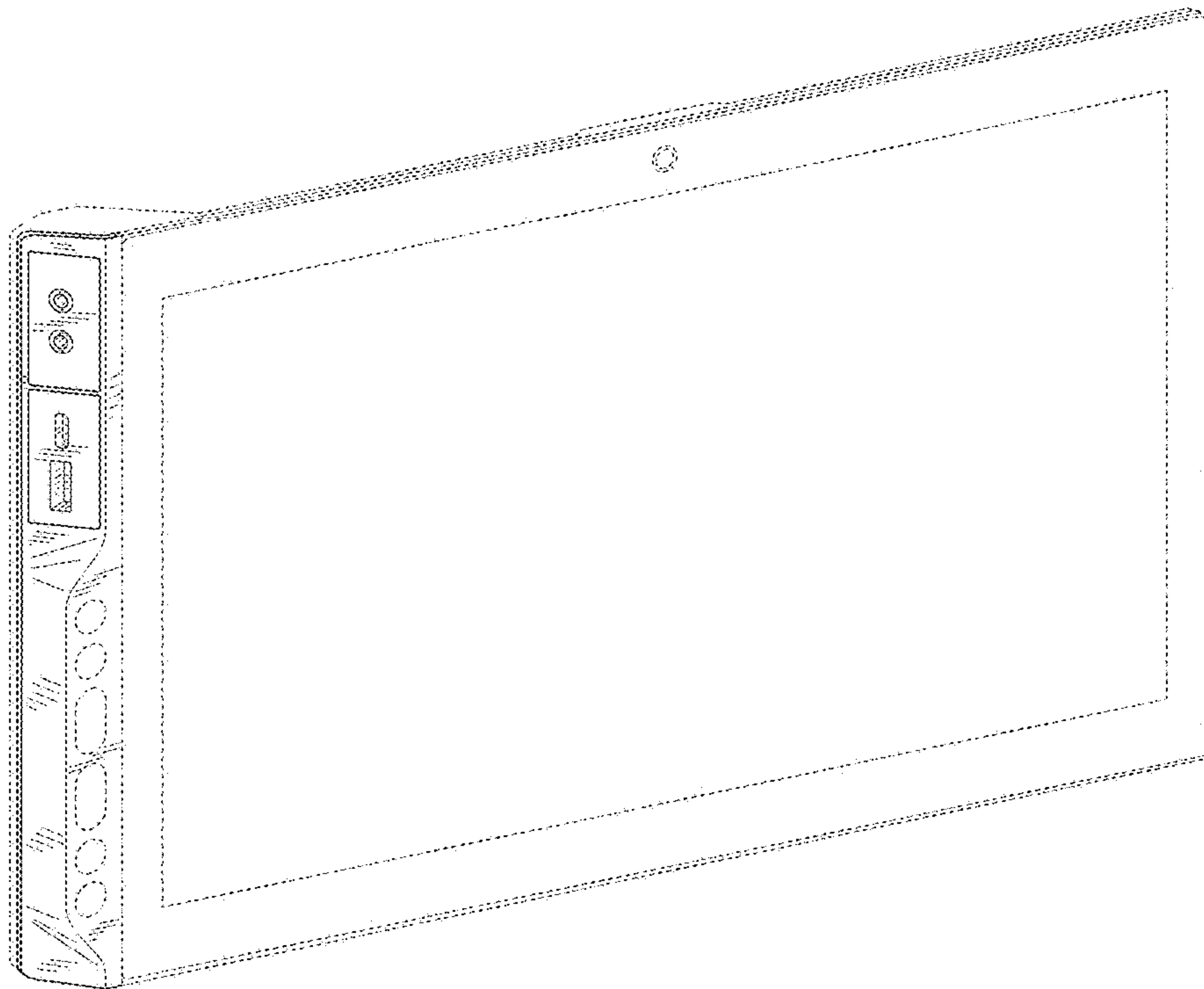


FIG. 47



FIG. 48

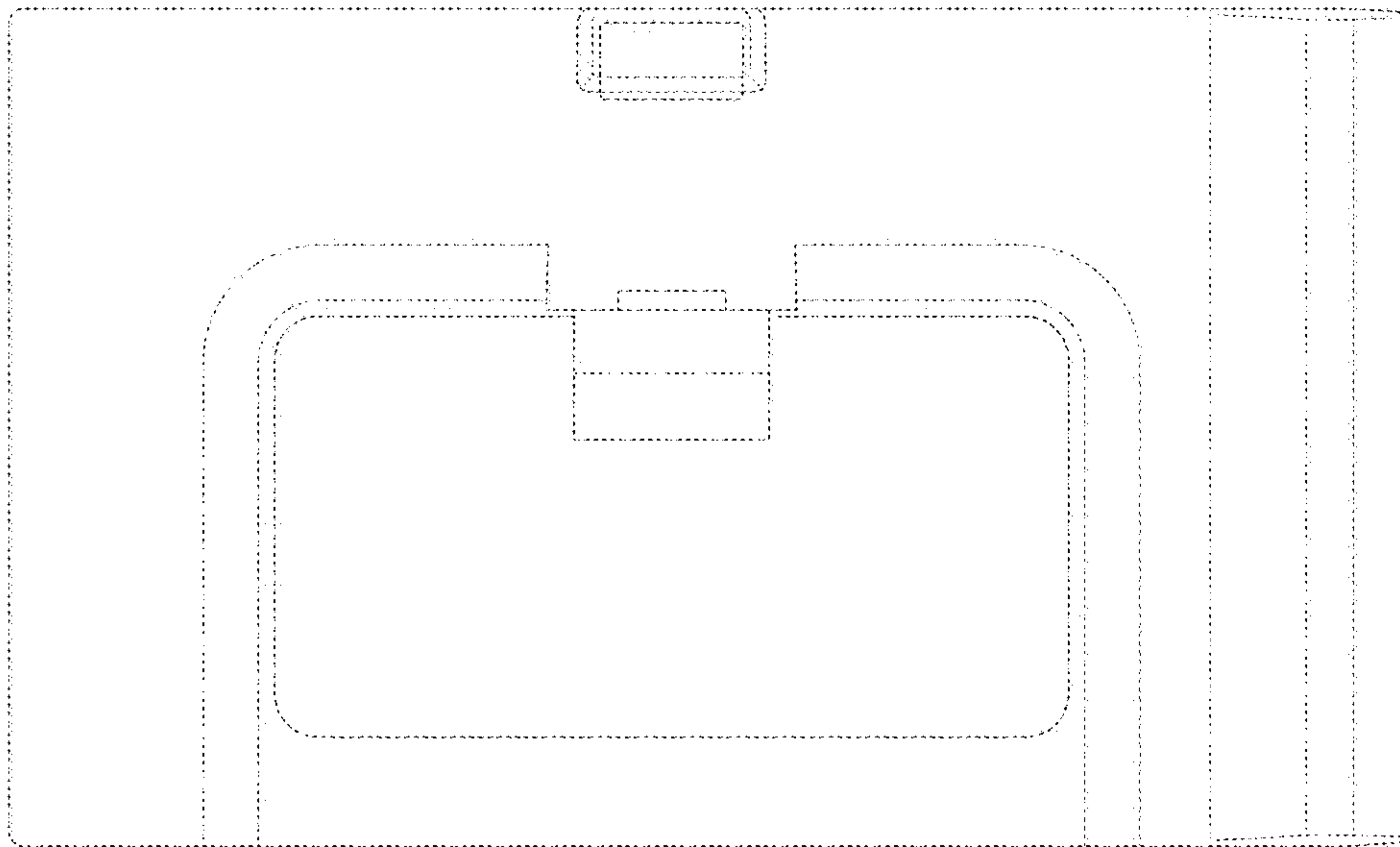


FIG. 49

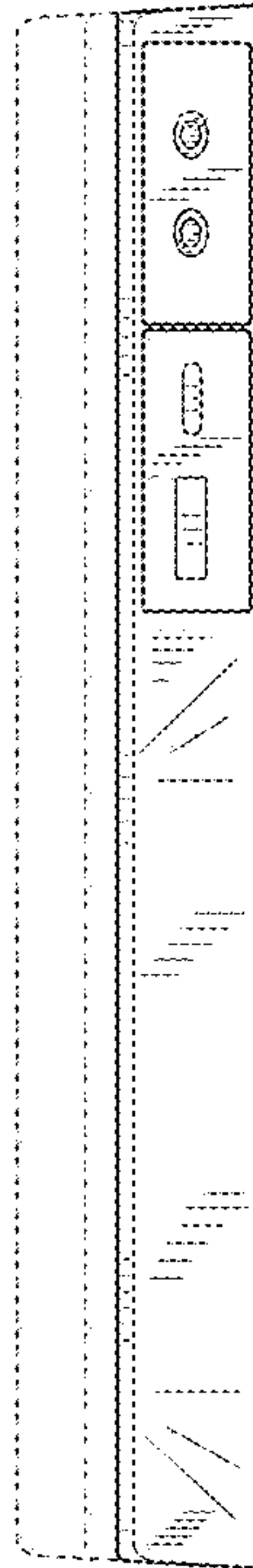


FIG. 50

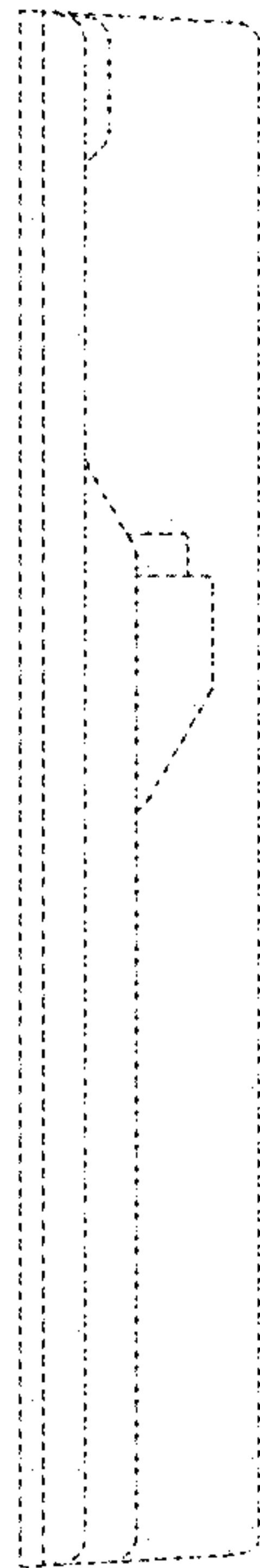


FIG. 51

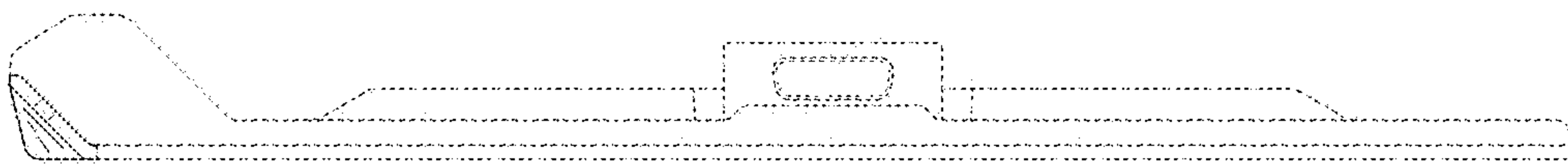


FIG. 52

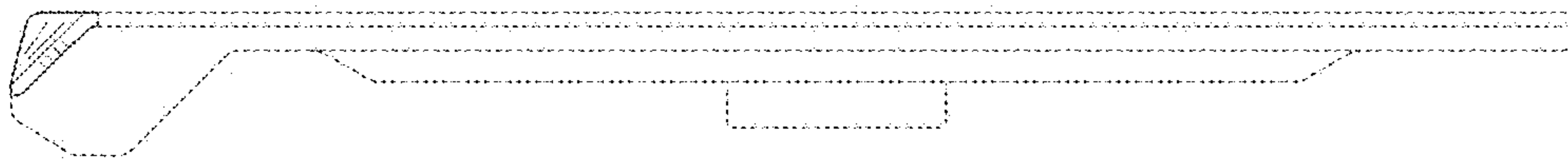


FIG. 53

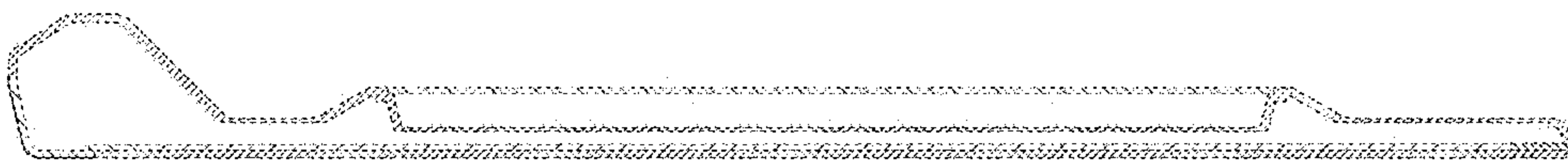


FIG. 54

