



US00D819578S

(12) **United States Design Patent**
Su

(10) **Patent No.:** **US D819,578 S**
(45) **Date of Patent:** **** Jun. 5, 2018**

- (54) **HEAT DISSIPATING FIN**
- (71) Applicant: **ENERMAX TECHNOLOGY CORPORATION**, Taoyuan (TW)
- (72) Inventor: **Yen-Wen Su**, Taoyuan (TW)
- (73) Assignee: **ENERMAX TECHNOLOGY CORPORATION**, Taoyuan (TW)
- (**) Term: **15 Years**
- (21) Appl. No.: **29/571,167**
- (22) Filed: **Jul. 14, 2016**
- (51) **LOC (11) Cl.** **13-03**
- (52) **U.S. Cl.**
USPC **D13/179; D14/439**
- (58) **Field of Classification Search**
USPC D13/179, 122, 182; D14/439, 433
CPC G06F 1/20; H01L 23/34; H01L 23/46;
H05K 7/20154; H05K 7/20272; F28F
1/30; F28F 2215/00; F28D 1/0426
See application file for complete search history.

- D699,690 S * 2/2014 Hsu D13/179
- D802,543 S * 11/2017 Hwang F28D 15/0275
D13/179
- D805,042 S * 12/2017 Huang D13/179
- D805,043 S * 12/2017 Mira D13/179
- D810,034 S * 2/2018 Mira D13/179

* cited by examiner

Primary Examiner — Austin Murphy

(74) *Attorney, Agent, or Firm* — Chun-Ming Shih; HDLS IPR Services

(57) **CLAIM**

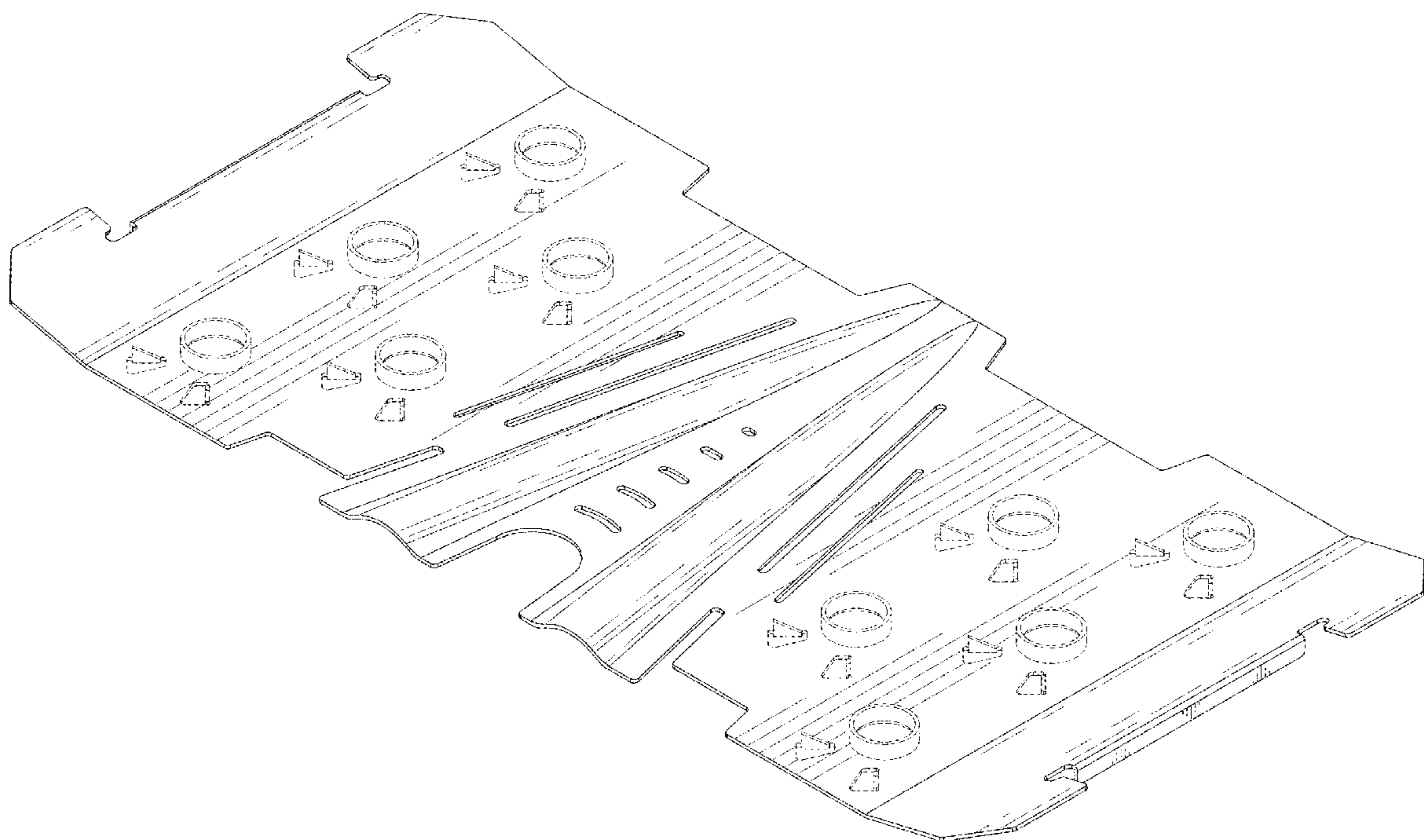
The ornamental design for a heat dissipating fin, as shown and described.

DESCRIPTION

FIG. 1 is a perspective view of a heat dissipating fin showing my new design;
 FIG. 2 is a front view thereof;
 FIG. 3 is a rear view thereof;
 FIG. 4 is a left side view thereof;
 FIG. 5 is a right side view thereof;
 FIG. 6 is a top view thereof;
 FIG. 7 is a bottom view thereof; and
 FIG. 8 is second perspective view showing the heat dissipating fin.
 FIG. 9 is third perspective view showing the heat dissipating fin; and,
 FIG. 10 is a perspective view showing the heat dissipating fins stacked on heat pipes of a heat sink.
 The broken lines shown represent unclaimed subject matter and form no part of the claimed design.

1 Claim, 8 Drawing Sheets

- (56) **References Cited**
U.S. PATENT DOCUMENTS
- 6,263,956 B1 * 7/2001 Tang H01L 23/3672
165/80.3
- 6,357,514 B1 * 3/2002 Sasaki H01L 23/3672
165/185
- 6,382,307 B1 * 5/2002 Wang B23K 1/0012
165/104.33
- D478,055 S * 8/2003 Jing D13/179
- D605,141 S * 12/2009 Jones D13/179



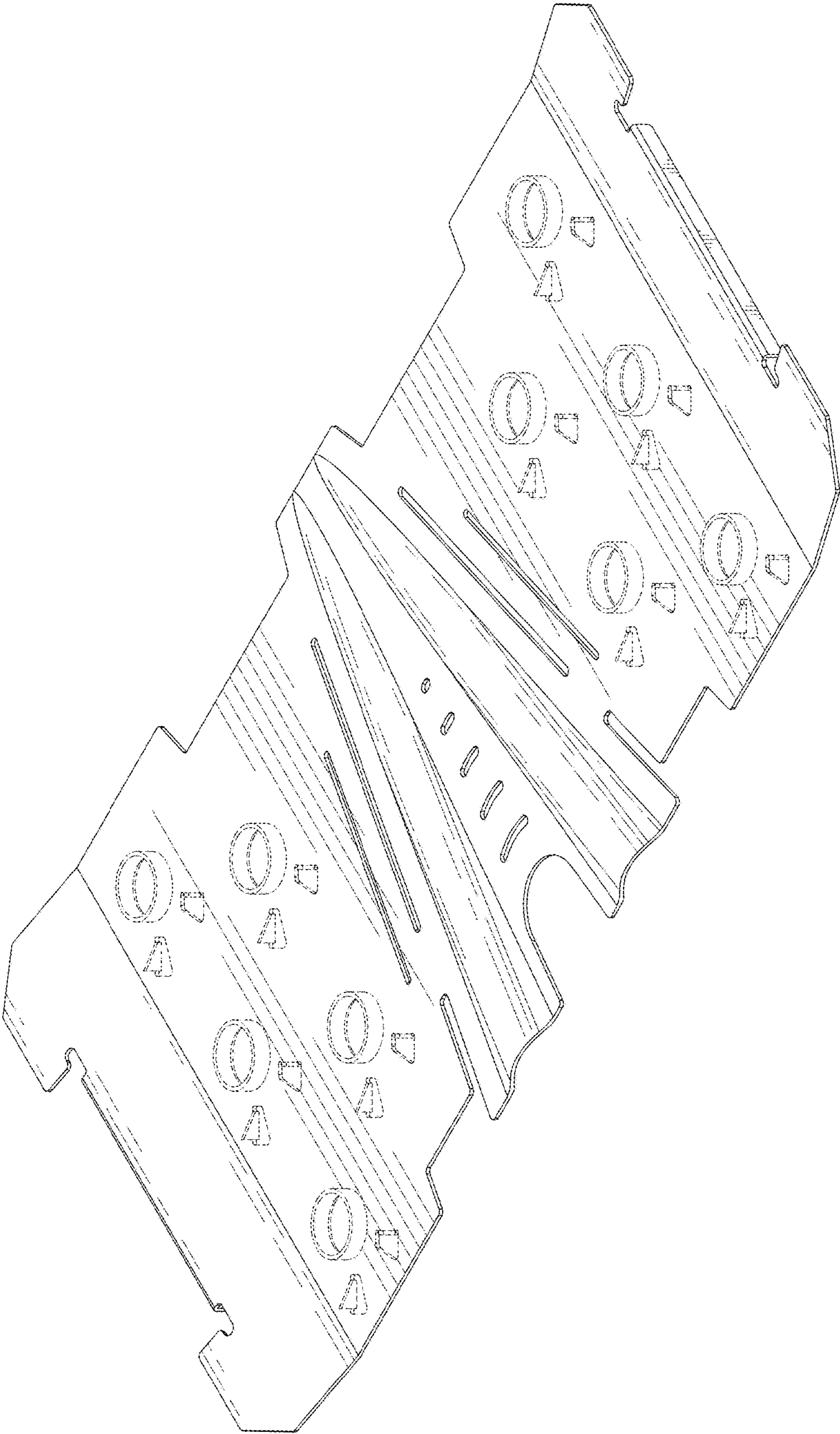


FIG.1

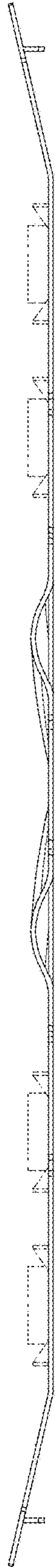


FIG. 2



FIG. 3

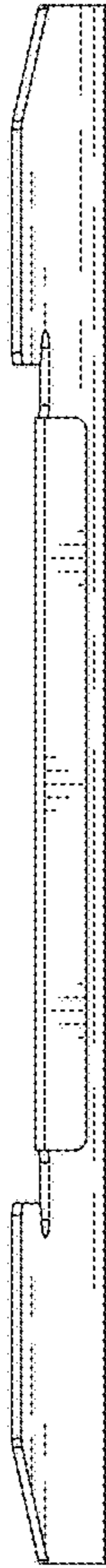


FIG. 4

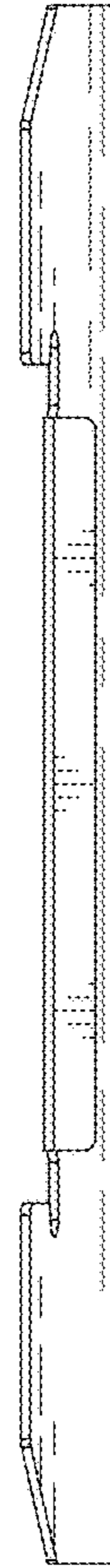


FIG. 5

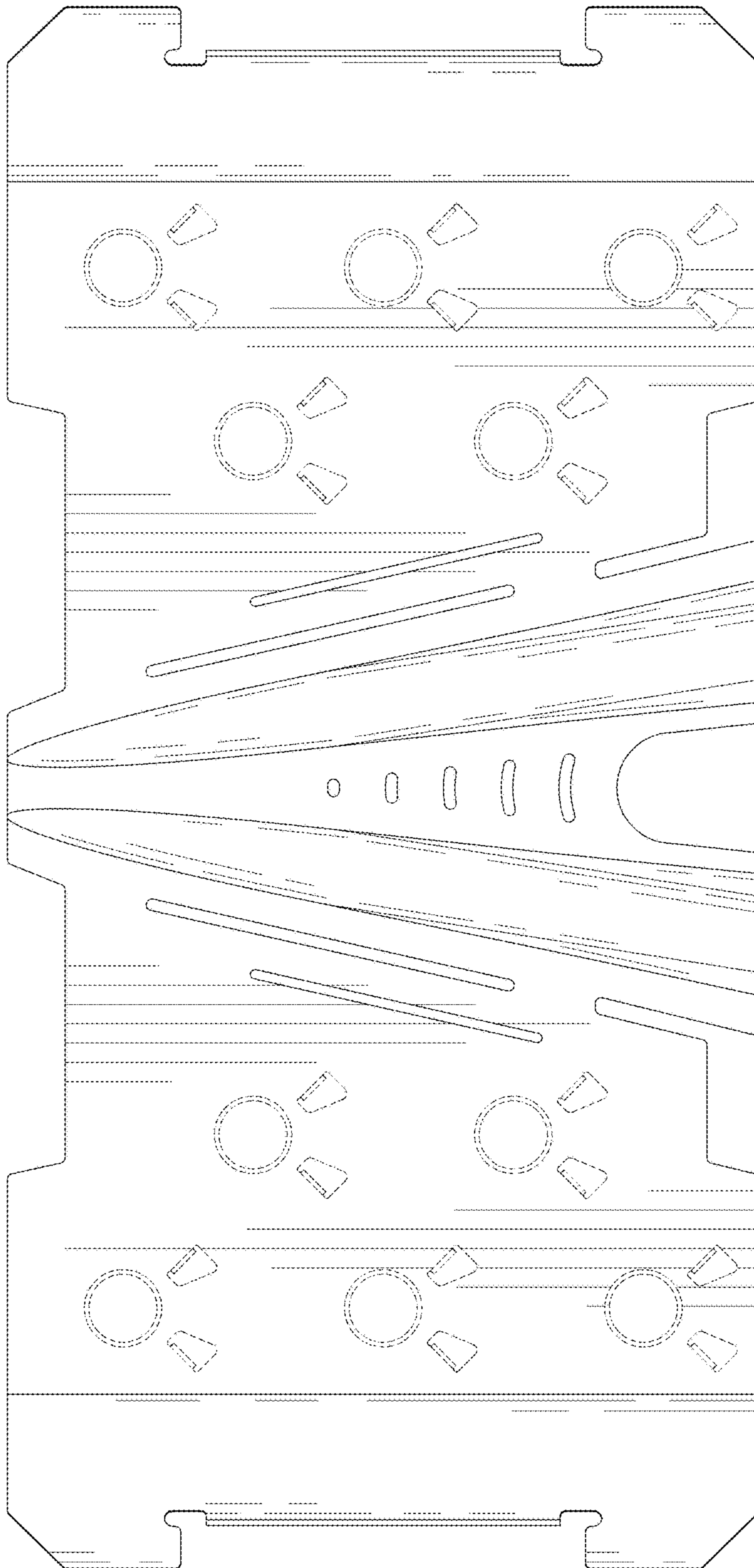


FIG.6

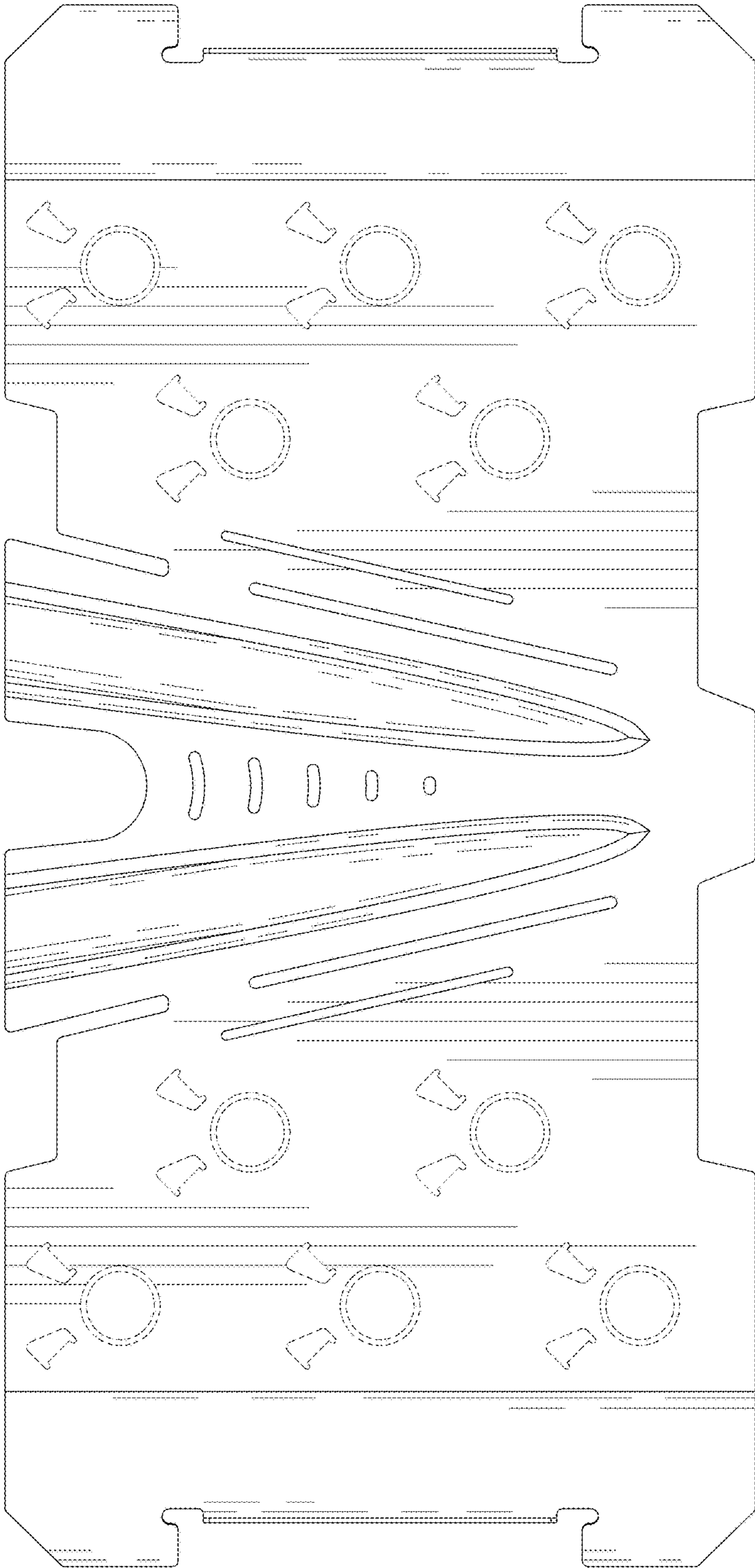


FIG.7

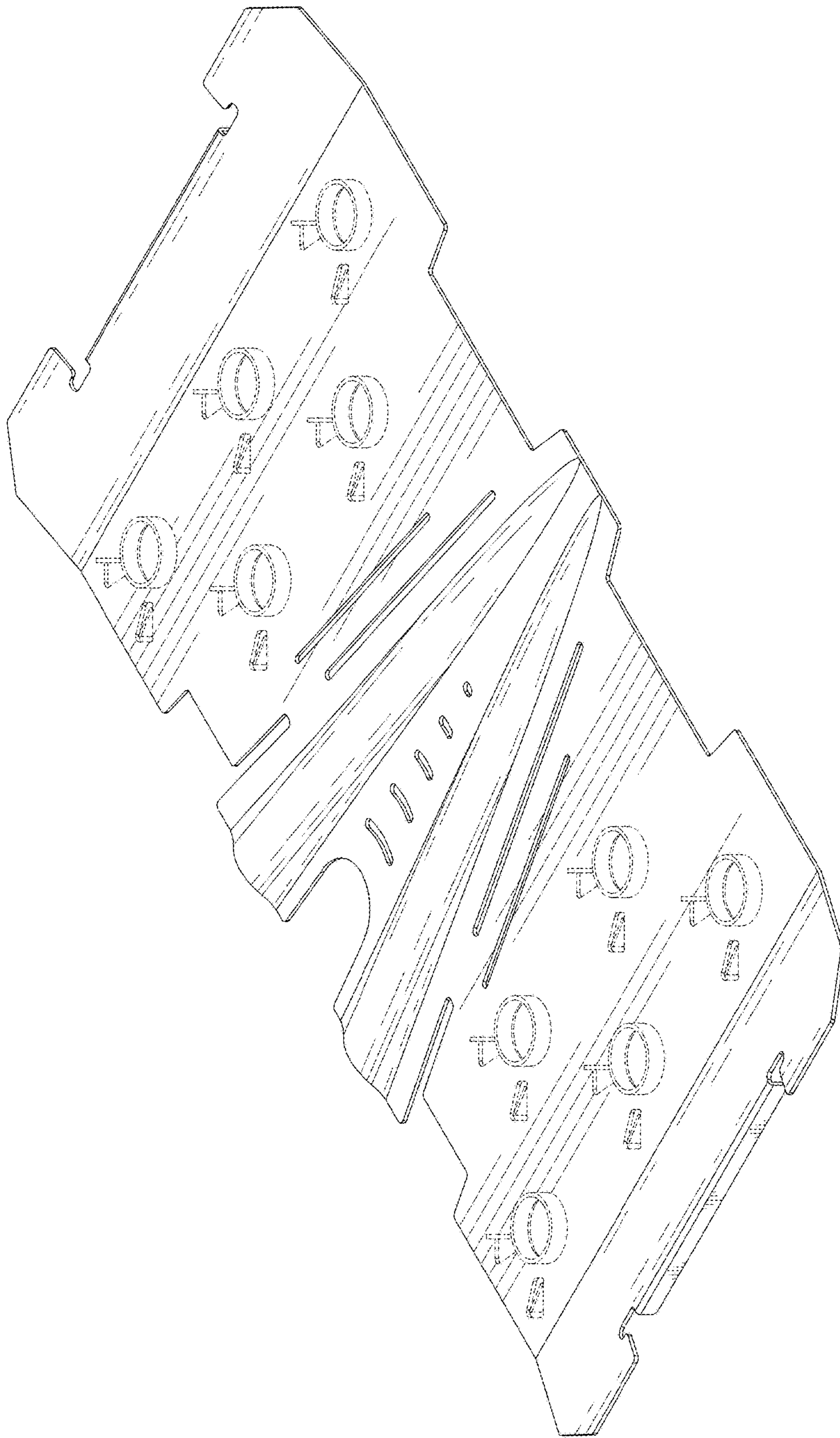


FIG.8

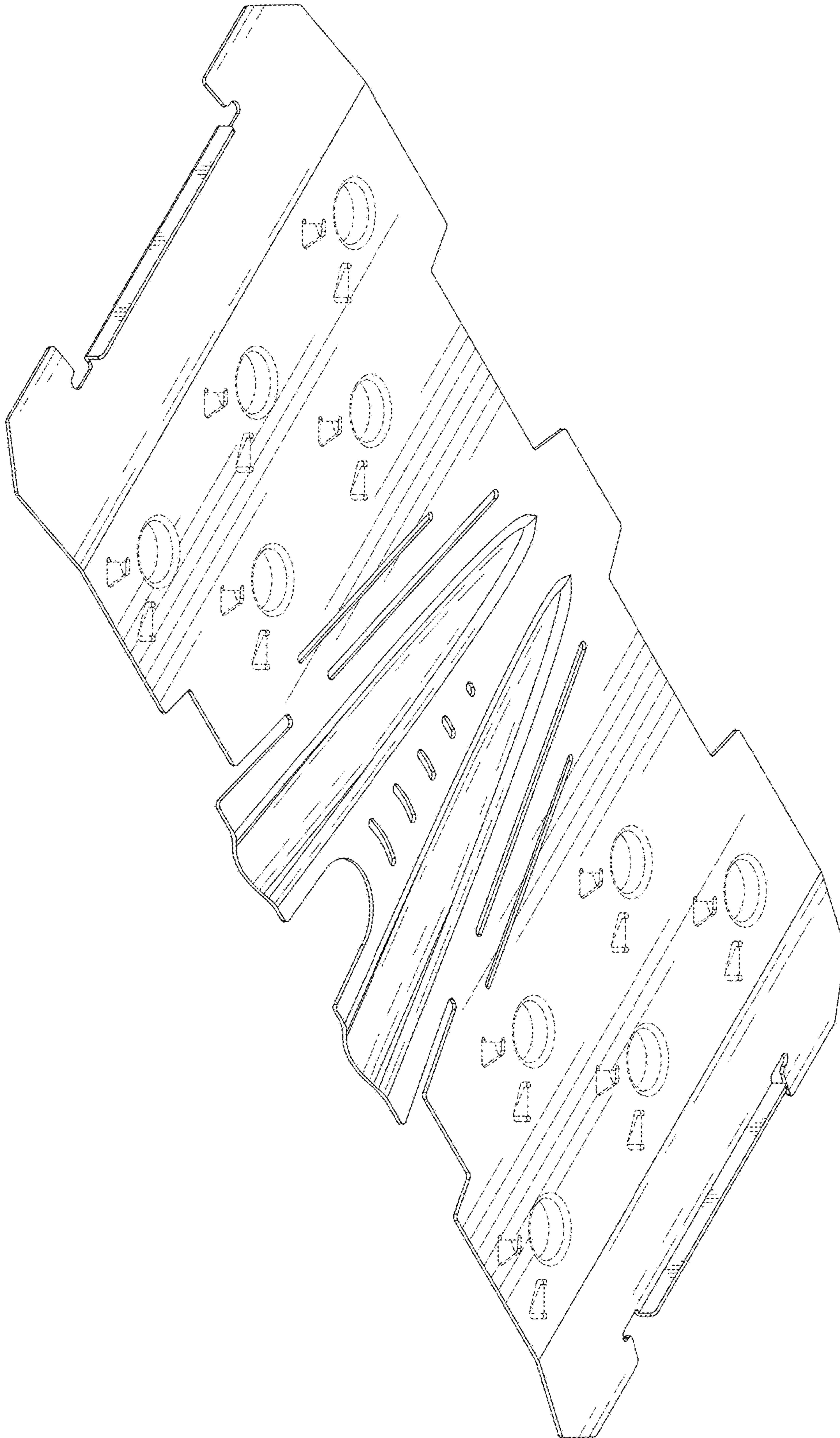


FIG.9

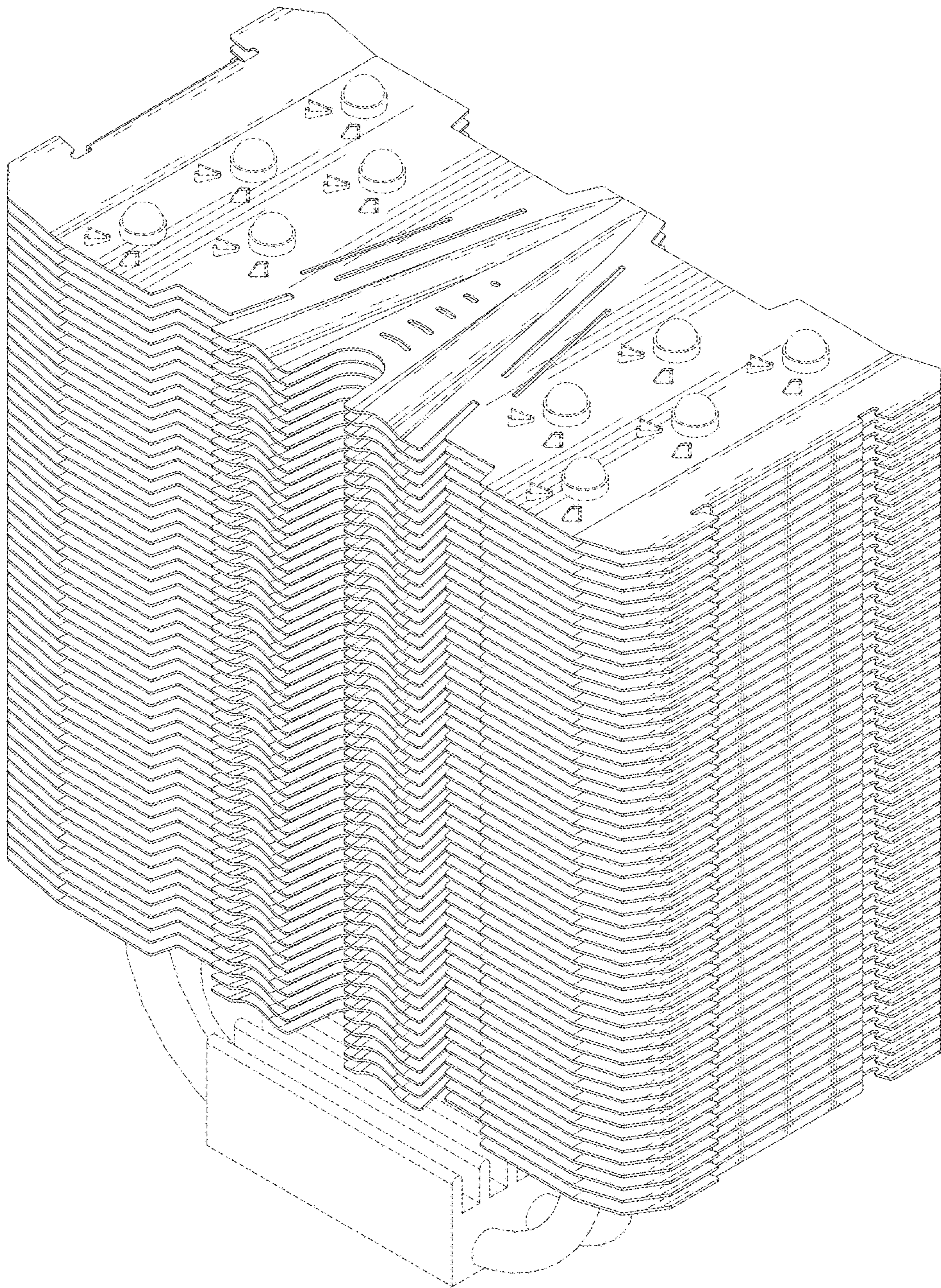


FIG.10