



US00D819576S

(12) **United States Design Patent** (10) **Patent No.:** **US D819,576 S**
Hahn (45) **Date of Patent:** **** Jun. 5, 2018**

- (54) **CHARGING CABLE**
- (71) Applicant: **Nomad Goods, Inc.**, Santa Barbara, CA (US)
- (72) Inventor: **Brian Hahn**, Santa Barbara, CA (US)
- (73) Assignee: **Nomad Goods, Inc.**, Santa Barbara, CA (US)
- (**) Term: **15 Years**
- (21) Appl. No.: **29/601,703**
- (22) Filed: **Apr. 25, 2017**
- (51) **LOC (11) Cl.** **13-03**
- (52) **U.S. Cl.**
USPC **D13/153**
- (58) **Field of Classification Search**
USPC D13/146, 147, 153, 154
CPC H01R 12/72; H01R 13/025; H01R 13/62;
H01R 13/6205; H01R 24/00; H01B 7/04;
H01B 13/06; H04N 21/23424
See application file for complete search history.

D798,242 S * 9/2017 Phillips D13/153
 D798,825 S * 10/2017 Hahn D13/153
 2016/0149353 A1* 5/2016 Chen H01R 13/6675
 439/490

OTHER PUBLICATIONS

“Multi Charger Cable”. Found online Mar. 28, 2018 at www.amazon.com. Page dated May 3, 2016. Retrieved from https://www.amazon.com/KINGBACK-Universal-Multiple-Connector-Lighting/dp/B07921DNSC/ref=cm_cr_arp_d_product_top?ie=UTF8#customerReviews.
 “Nomad Universal 0.3 Meter Cable”. Found online Mar. 28, 2018 at www.hellonomad.com. Page dated Sep. 28, 2017. Retrieved from https://www.hellonomad.com/universal-cable_03m.

* cited by examiner

Primary Examiner — Manpreet S Matharu
Assistant Examiner — Jennifer M Campbell
 (74) *Attorney, Agent, or Firm* — SoCal IP Law Group LLP; Steven C. Sereboff

(57) **CLAIM**

The ornamental design for a charging cable, as shown and described.

DESCRIPTION

FIG. 1 is a bottom, rear left side perspective view of the charging cable showing the new design;
 FIG. 2 is a front elevation view thereof at an enlarged scale;
 FIG. 3 is a rear elevation view thereof at an enlarged scale;
 FIG. 4 is a left side elevation view thereof;
 FIG. 5 is a right side elevation view thereof;
 FIG. 6 is a top plan view thereof, the bottom plan view being a mirror image;
 FIG. 7 is a top, front, right side perspective view thereof in a first alternate position; and,
 FIG. 8 is a top, right side perspective view thereof in a second alternate position.

1 Claim, 5 Drawing Sheets

(56) **References Cited**
 U.S. PATENT DOCUMENTS

D356,997 S *	4/1995	Lehmann	D13/146
D416,542 S *	11/1999	Tsai	D13/147
D416,543 S *	11/1999	Tsai	D13/147
D416,868 S *	11/1999	Tsai	D13/147
D416,869 S *	11/1999	Tsai	D13/153
D543,949 S *	6/2007	Victor	D13/154
D636,337 S *	4/2011	Smith	D13/147
D676,389 S *	2/2013	Worth	D13/147
D679,658 S *	4/2013	Richards	D13/147
D680,078 S *	4/2013	Richards	D13/147
D738,312 S *	9/2015	Bress	D13/147
D739,356 S *	9/2015	Lin	D13/146
D739,824 S *	9/2015	Lin	D13/146
D753,060 S *	4/2016	Miller	D13/110

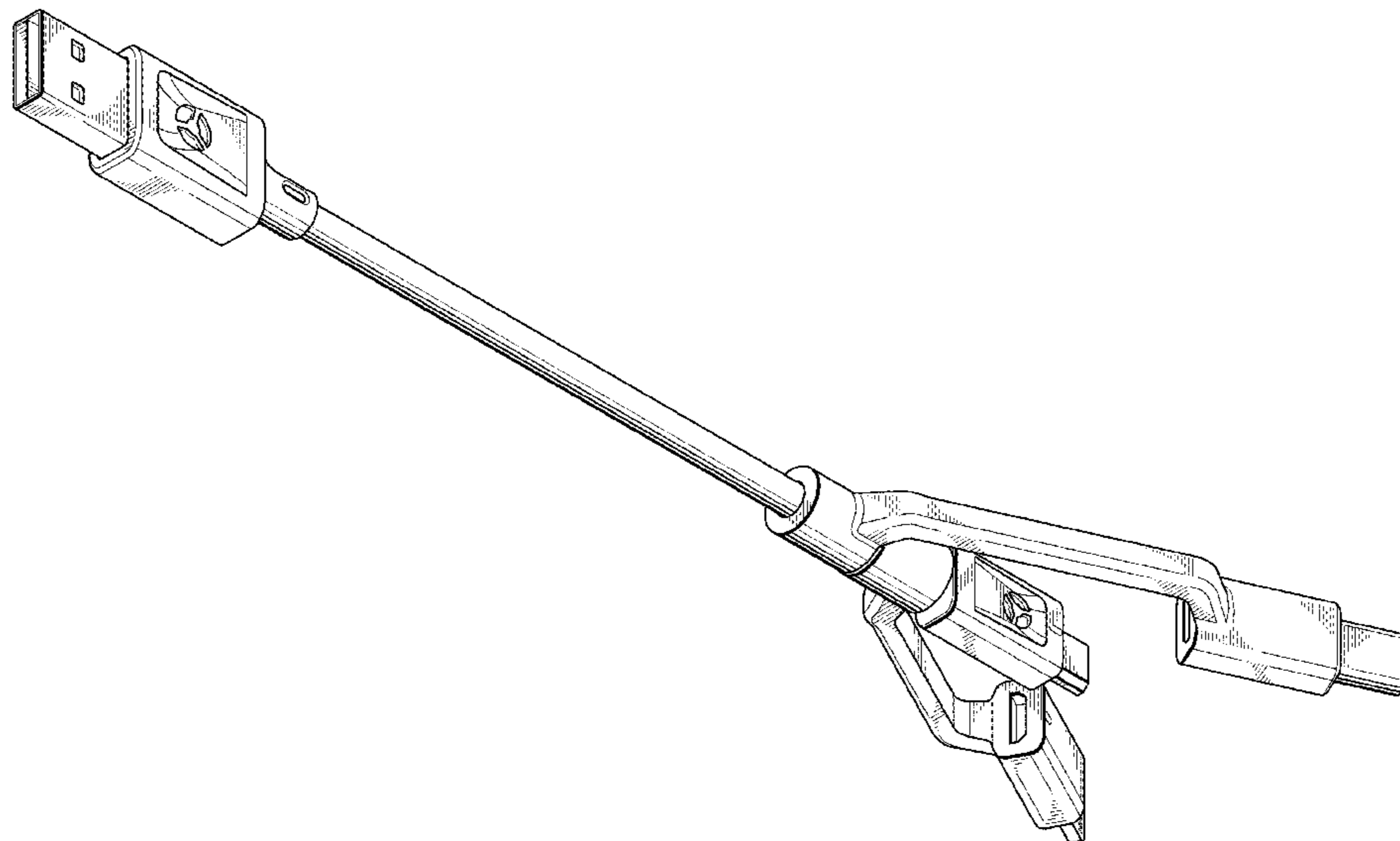
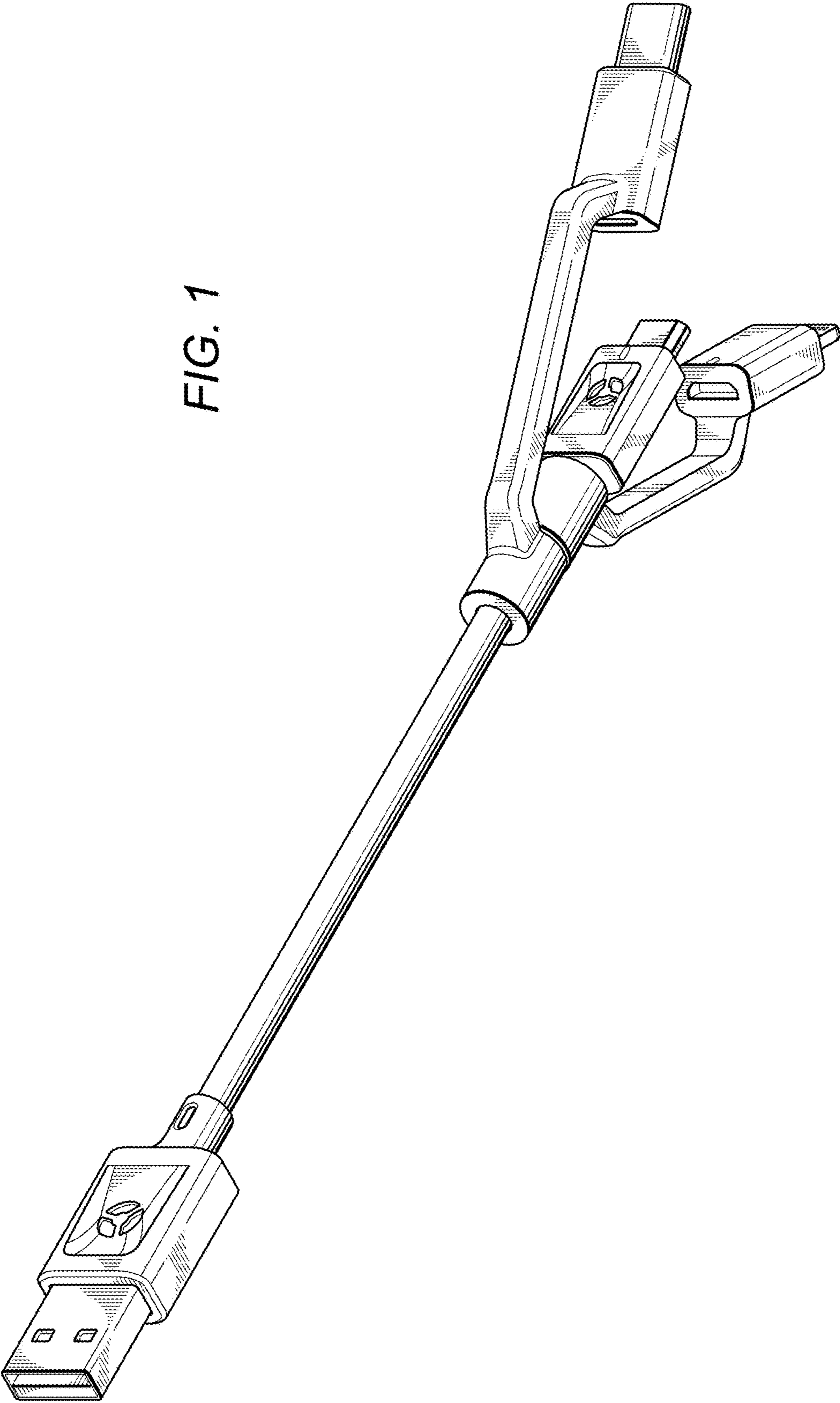


FIG. 1



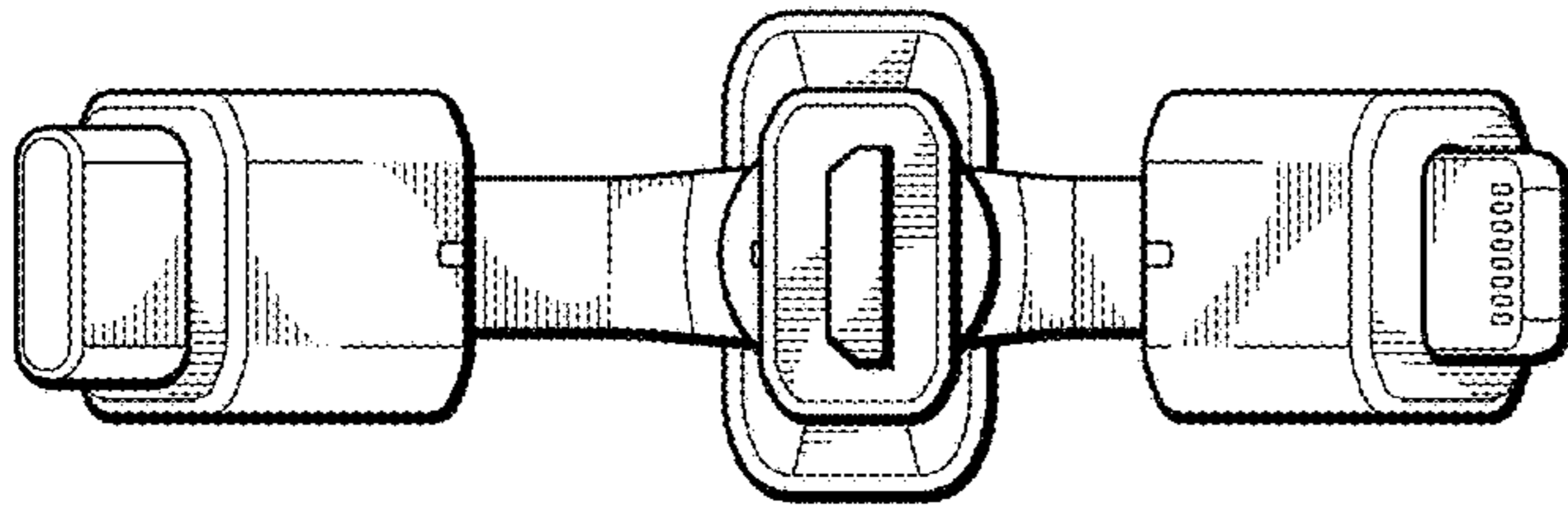


FIG. 2

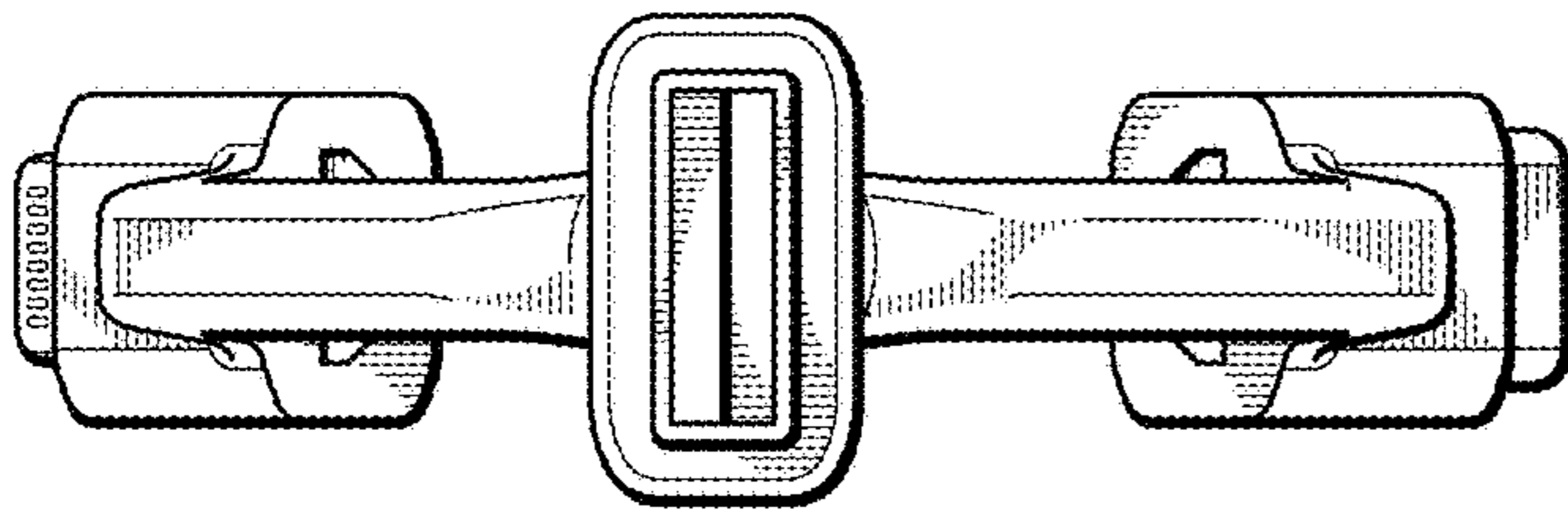


FIG. 3

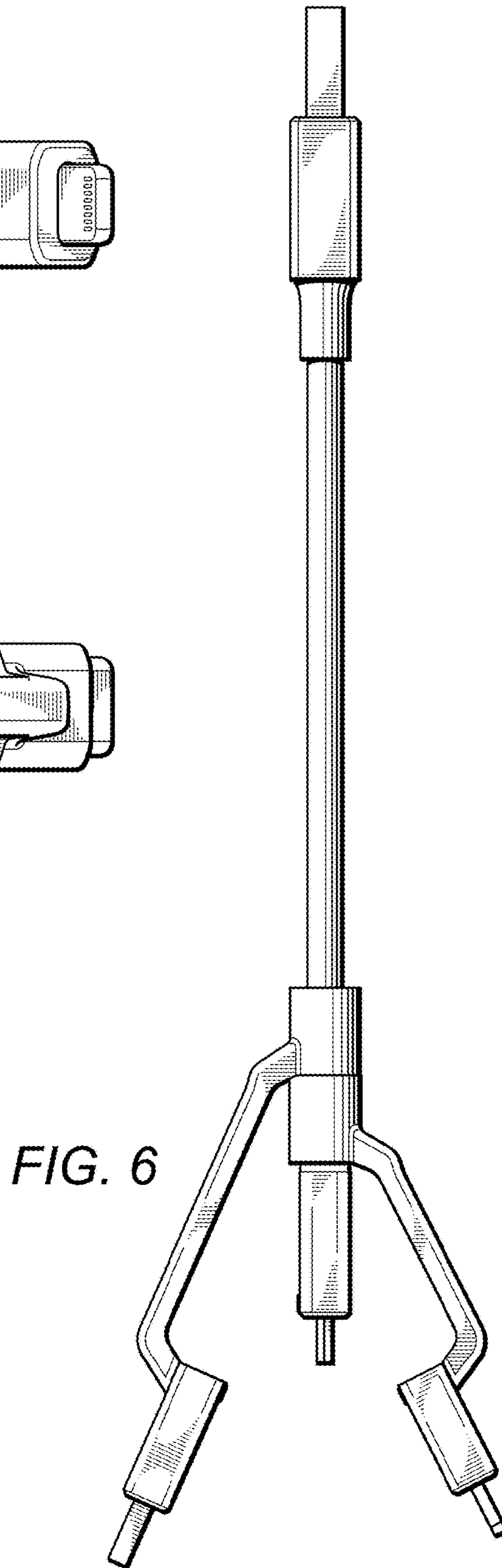


FIG. 6

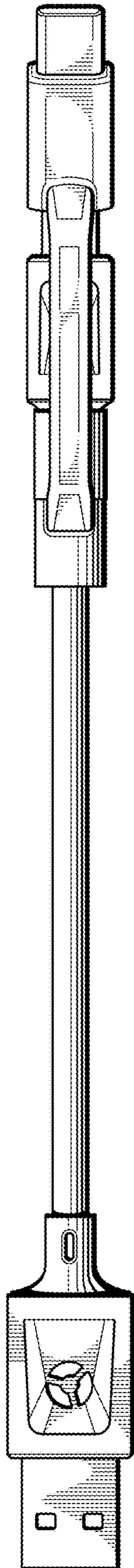


FIG. 4

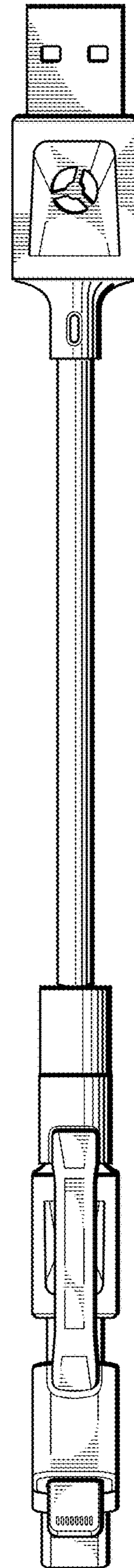


FIG. 5

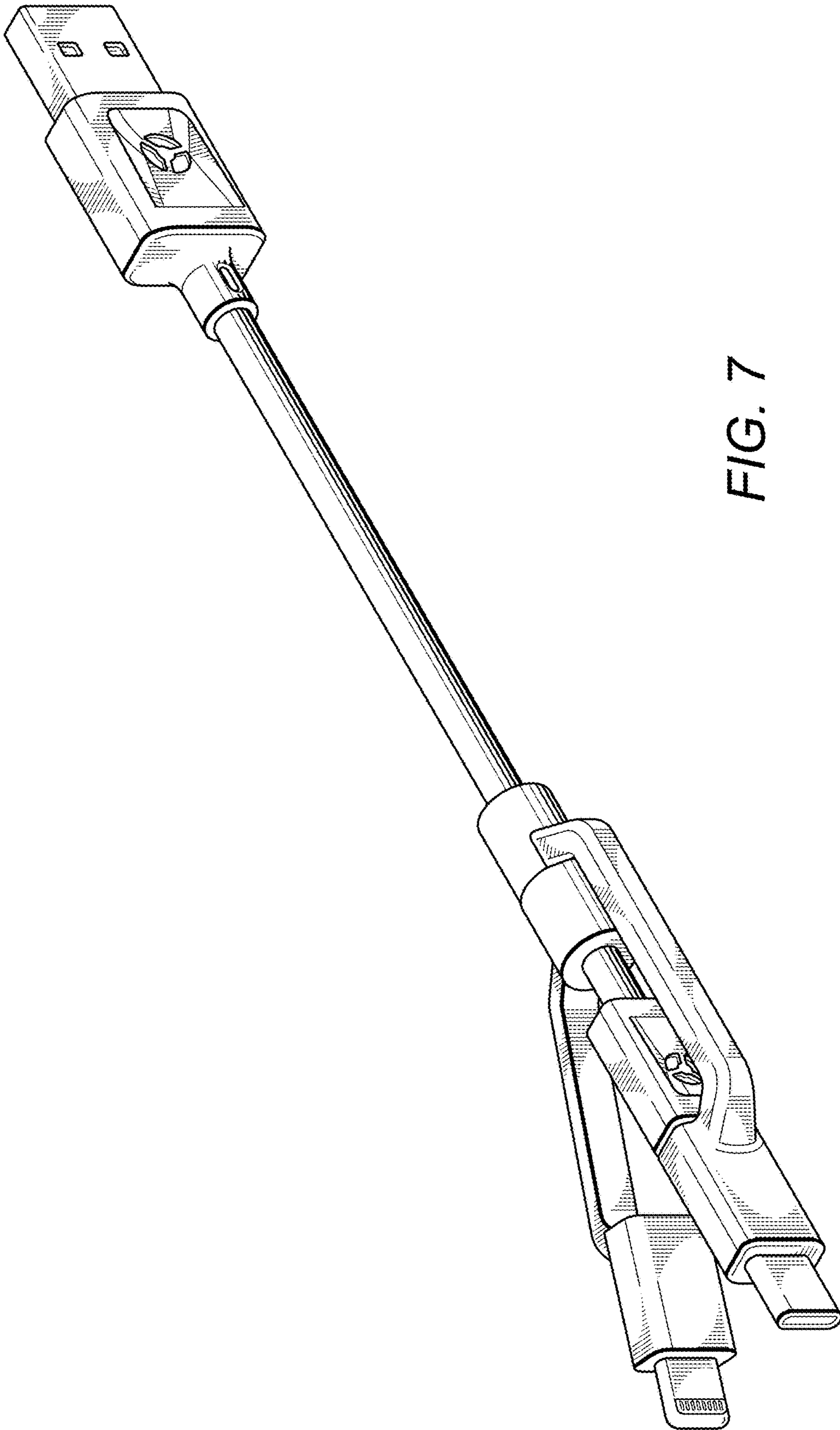


FIG. 7

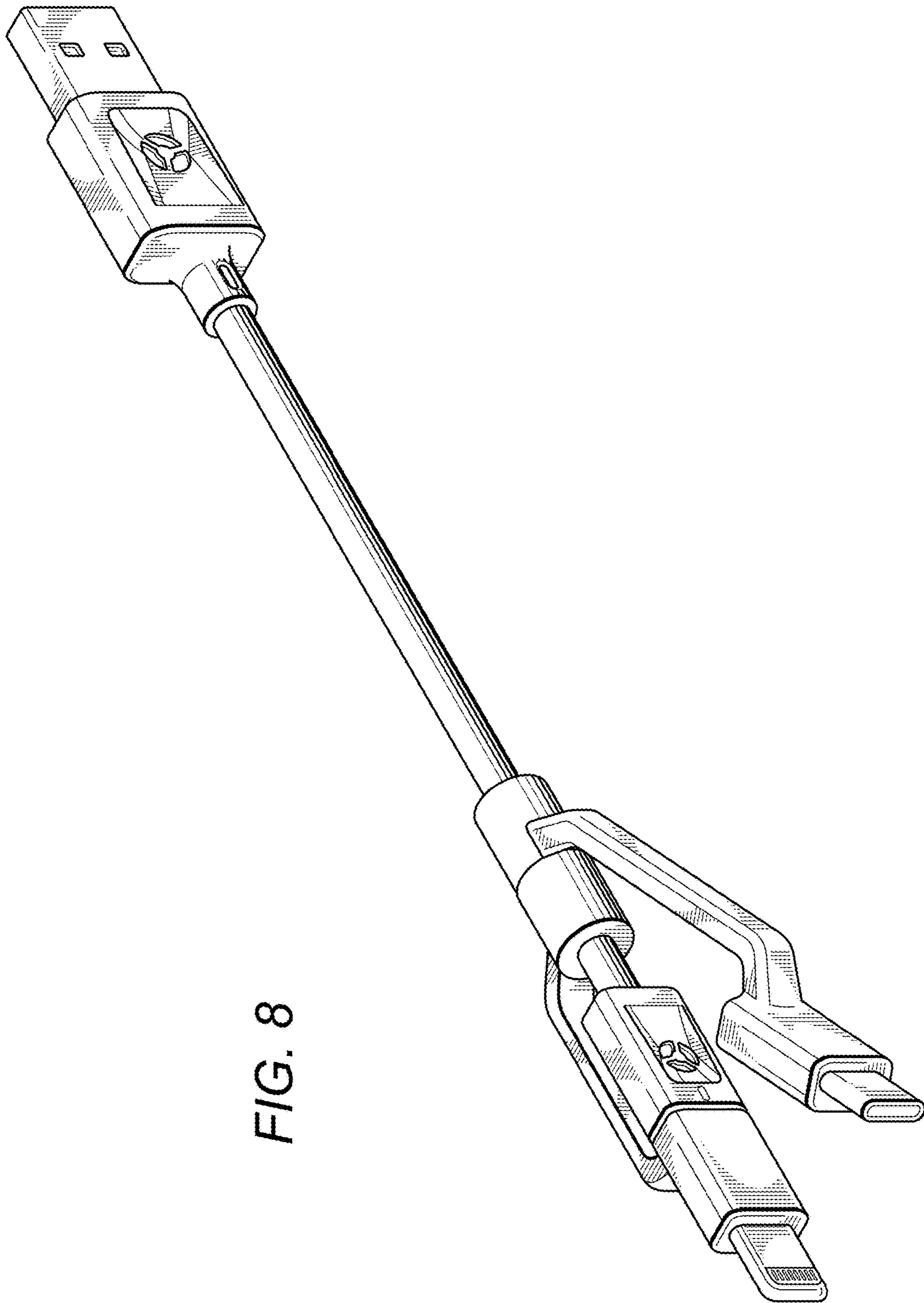


FIG. 8