



US00D819575S

(12) **United States Design Patent**  
**Corkill**

(10) **Patent No.:** **US D819,575 S**

(45) **Date of Patent:** **\*\* Jun. 5, 2018**

(54) **CANOPY LIGHT HOUSING**

(71) Applicant: **Jarvis Corp.**, Elk Grove Village, IL (US)

(72) Inventor: **Kirby Corkill**, Chicago, IL (US)

(73) Assignee: **Jarvis Corp.**, Elk Grove Village, IL (US)

(\*\*) Term: **15 Years**

(21) Appl. No.: **29/585,466**

(22) Filed: **Nov. 23, 2016**

(51) **LOC (11) Cl.** ..... **26-03**

(52) **U.S. Cl.**  
USPC ..... **D13/152**

(58) **Field of Classification Search**  
USPC ..... D26/72, 138, 89, 142  
CPC .... F21S 4/00; F21S 4/003; F21S 4/006; F21S 4/007; F21S 4/008; F21S 8/033; F21S 6/004; F21S 6/005; F21V 21/03; H02G 3/081; F21K 9/54  
See application file for complete search history.

(56) **References Cited**

**U.S. PATENT DOCUMENTS**

3,836,766	A *	9/1974	Auerbach	.....	F21S 8/033
					362/311.14
4,199,803	A *	4/1980	Hunt, III	.....	F21V 21/03
					362/145
5,854,443	A *	12/1998	Reiker	.....	H02G 3/081
					174/58
D416,232	S *	11/1999	Einck	.....	D13/152
D556,144	S *	11/2007	Dinh	.....	D13/152

D656,654	S *	3/2012	Wauters	.....	D26/89
D676,814	S *	2/2013	Paul	.....	D13/152
D705,471	S *	5/2014	Kim	.....	D26/72
D766,185	S *	9/2016	Hagarty	.....	D13/152
D794,243	S *	8/2017	Bryant	.....	D26/138
D796,733	S *	9/2017	LaDuca	.....	D26/138

\* cited by examiner

*Primary Examiner* — Brian N. Vinson

(74) *Attorney, Agent, or Firm* — The Watson I.P. Group, PLC; Jovan N. Jovanovic; Vladan M. Vasiljevic

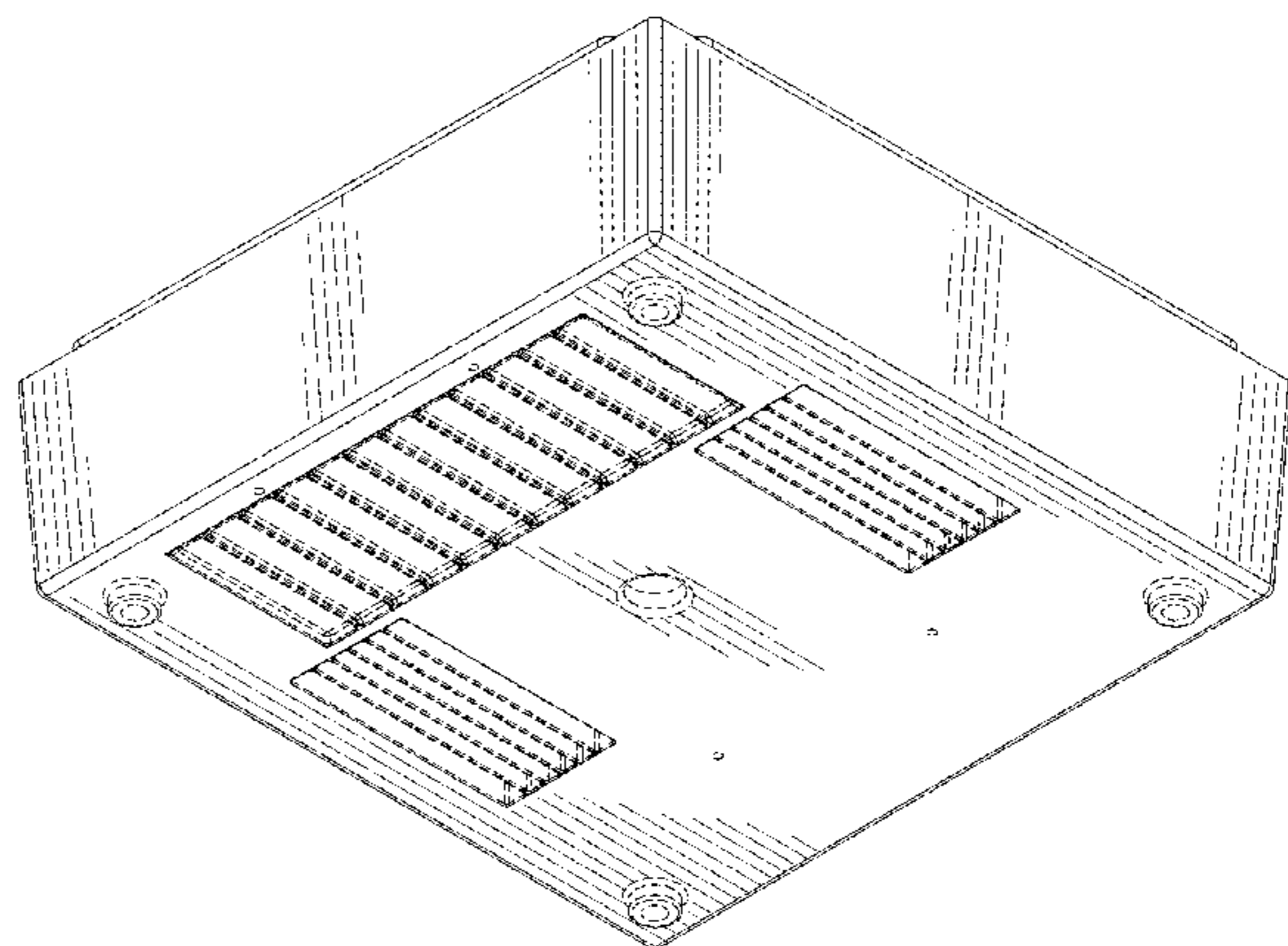
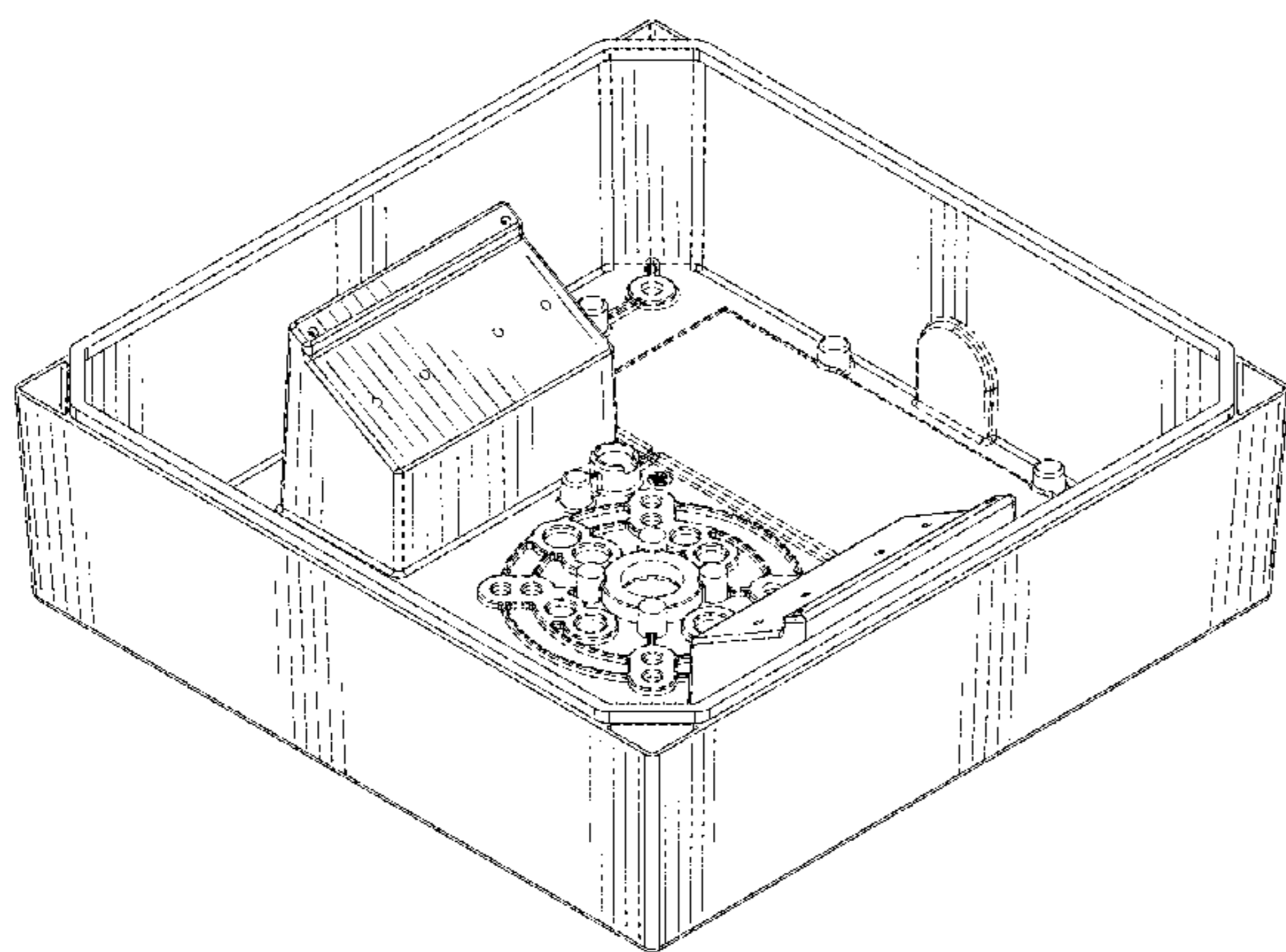
(57) **CLAIM**

The ornamental design for a canopy light housing, as shown and described.

**DESCRIPTION**

FIG. 1 of the drawings is a top perspective view of the canopy light housing showing, in particular, the ornamental design thereof;  
FIG. 2 of the drawings is a bottom perspective view thereof;  
FIG. 3 of the drawings is a top plan view thereof;  
FIG. 4 of the drawings is a bottom plan view thereof;  
FIG. 5 of the drawings is a first side elevational view thereof;  
FIG. 6 of the drawings is a second side elevational view thereof;  
FIG. 7 of the drawings is a front elevational view thereof;  
and,  
FIG. 8 of the drawings is a back elevational view thereof.  
The dashed lines show features that form no part of the claimed design.

**1 Claim, 6 Drawing Sheets**



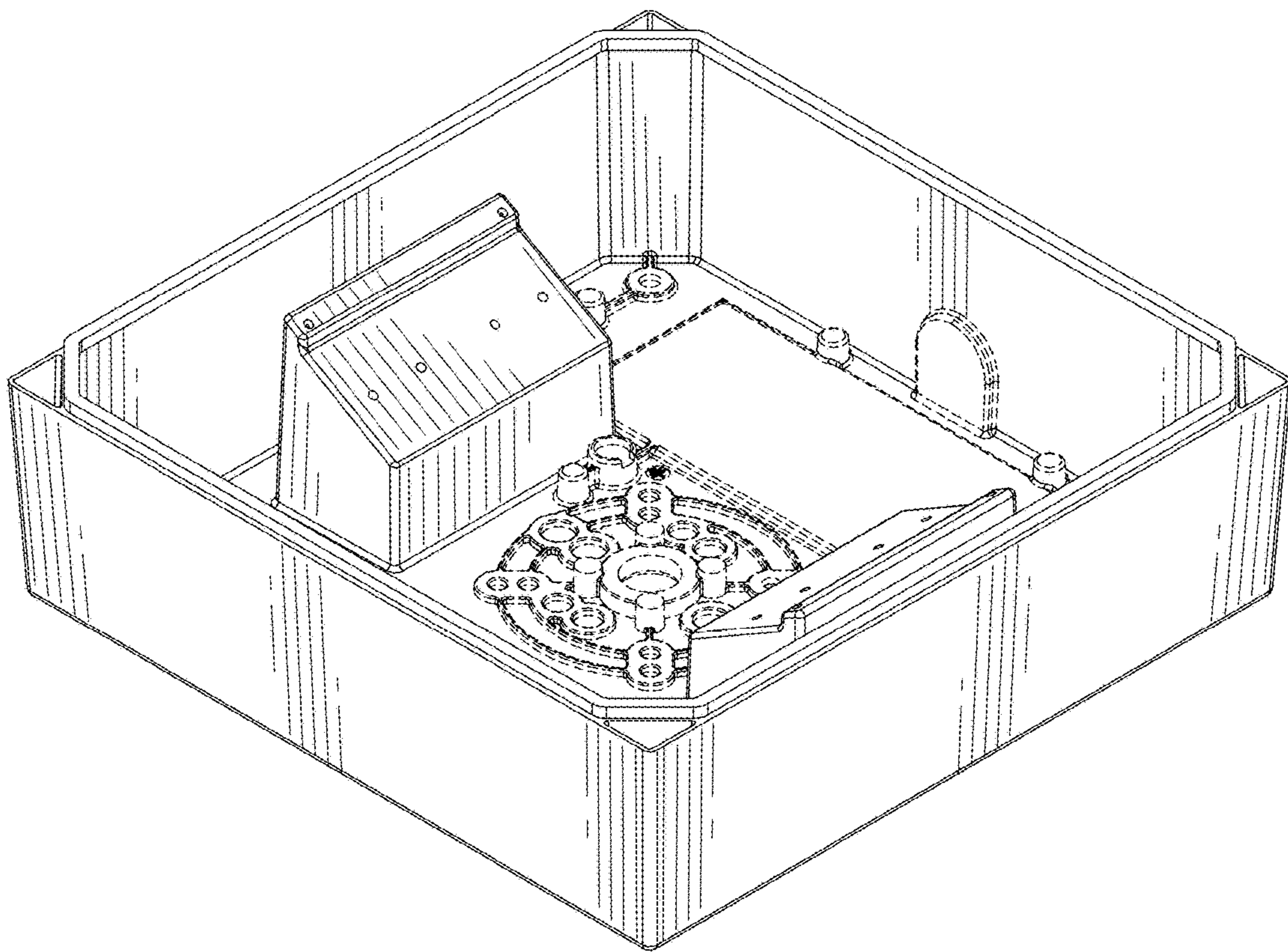


FIG. 1

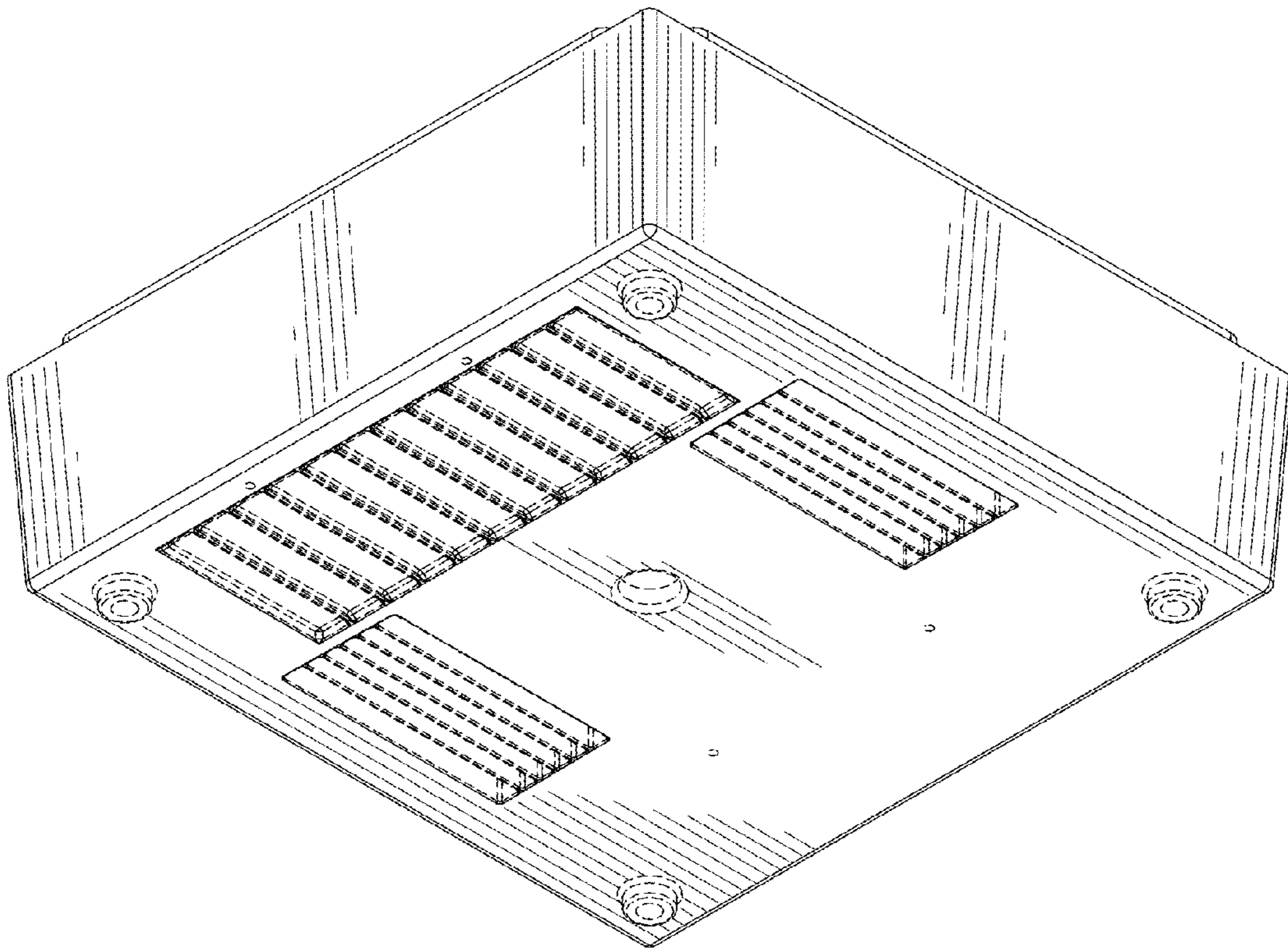


FIG. 2

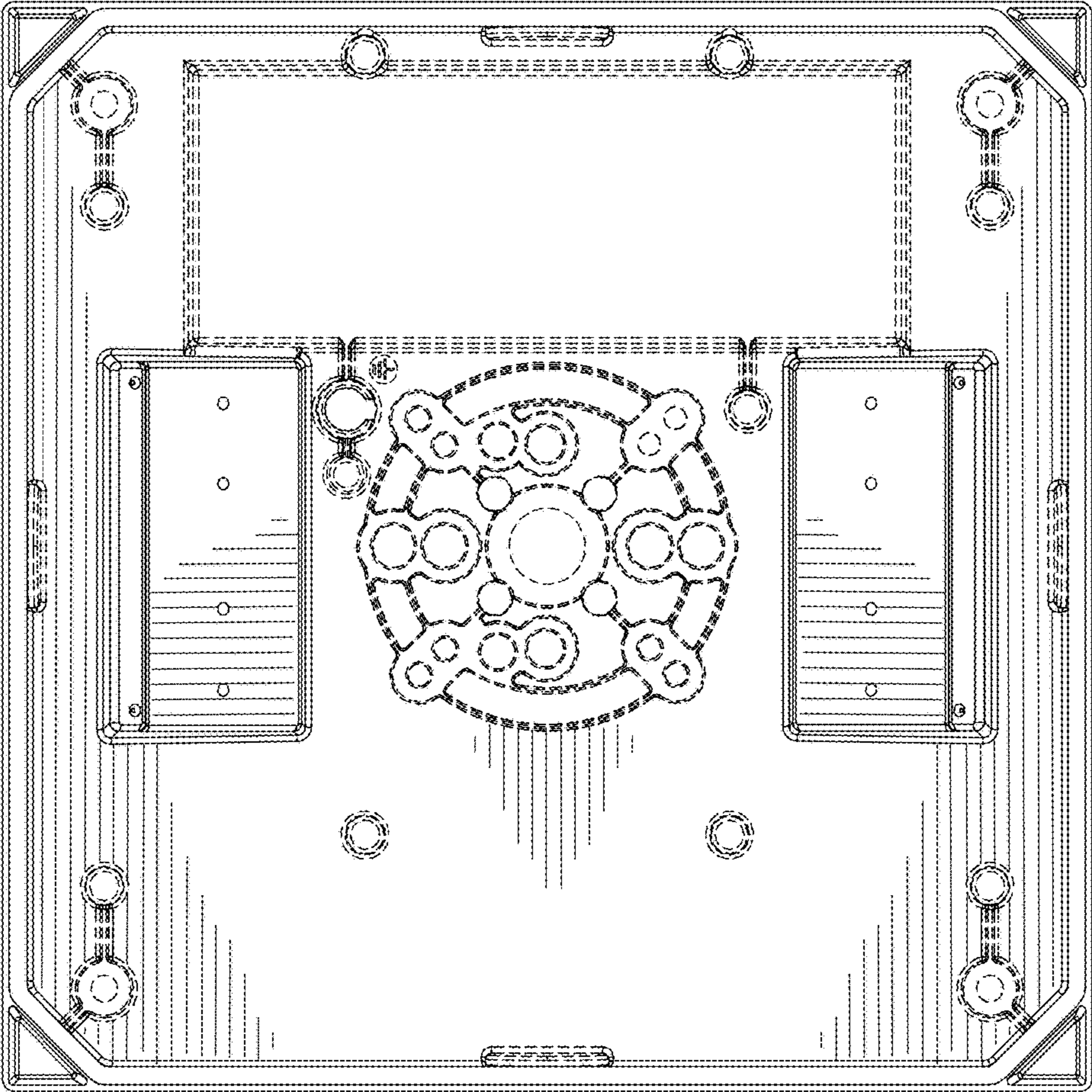


FIG. 3

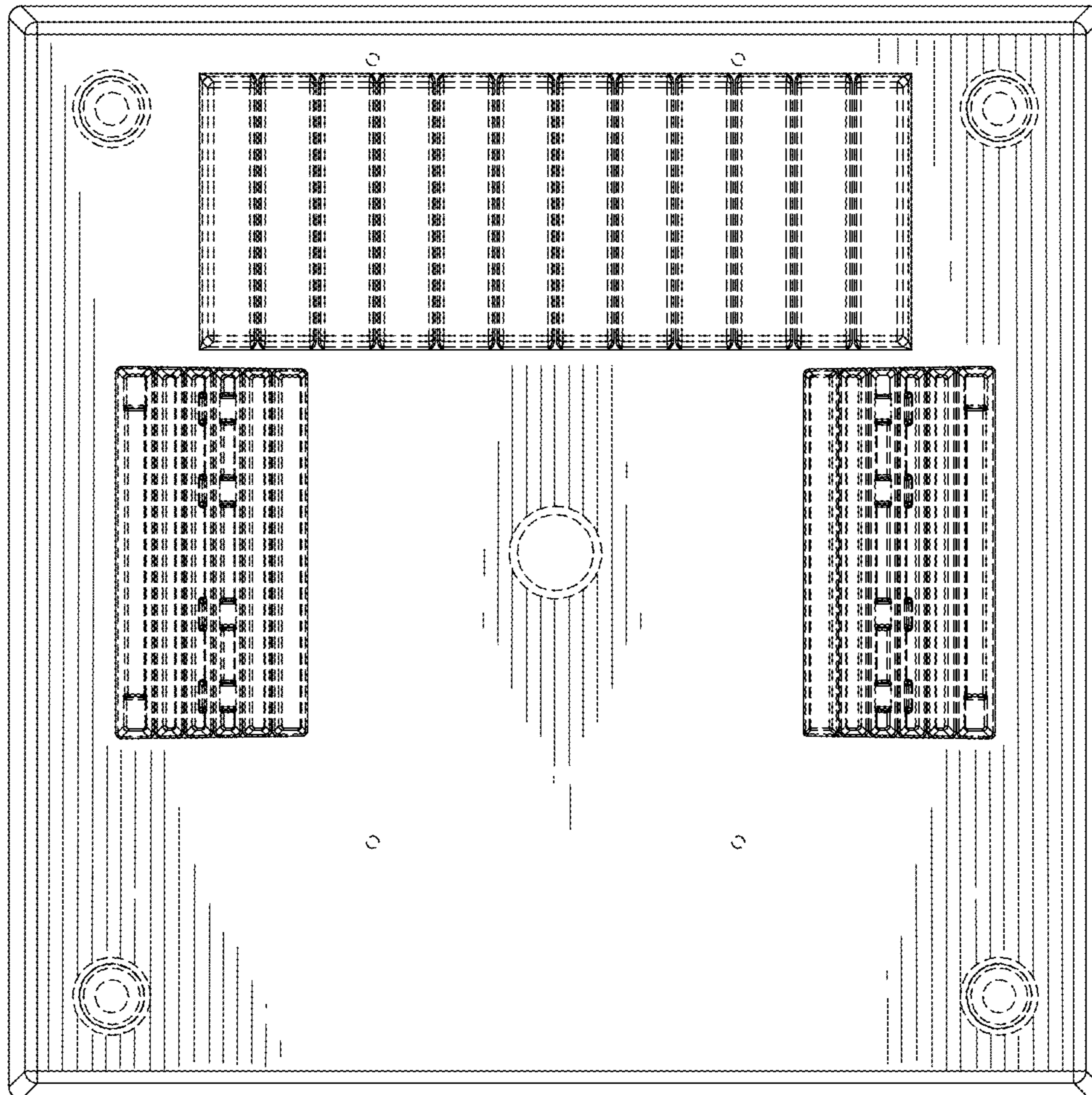


FIG. 4

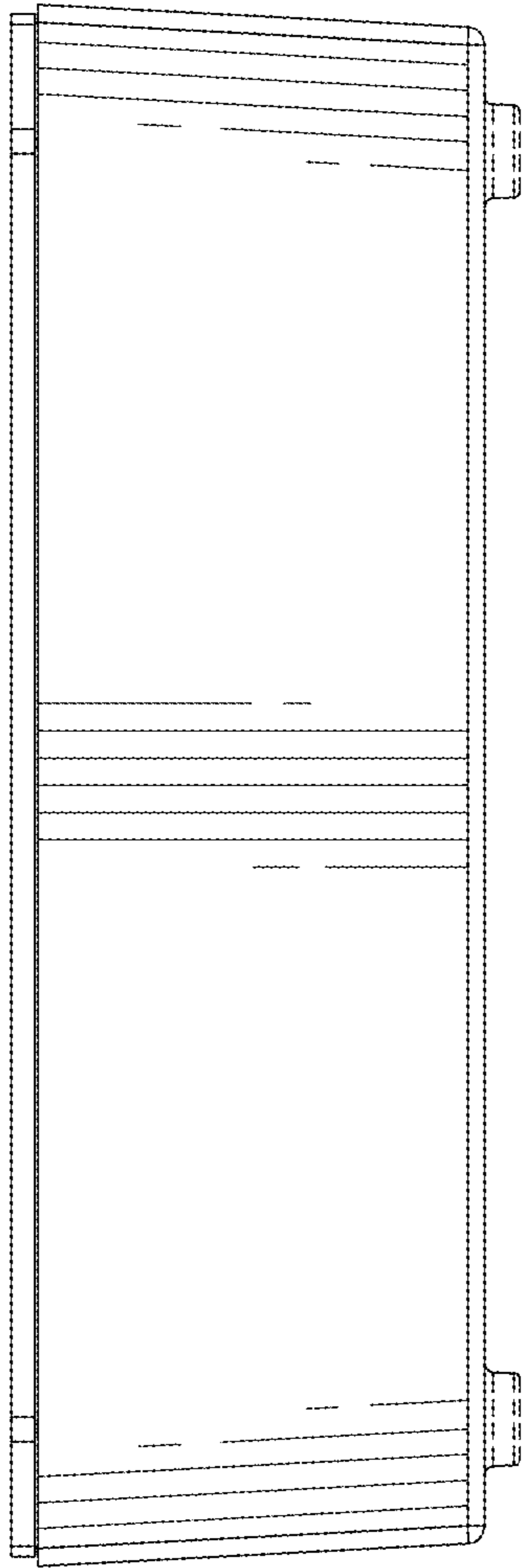


FIG. 5

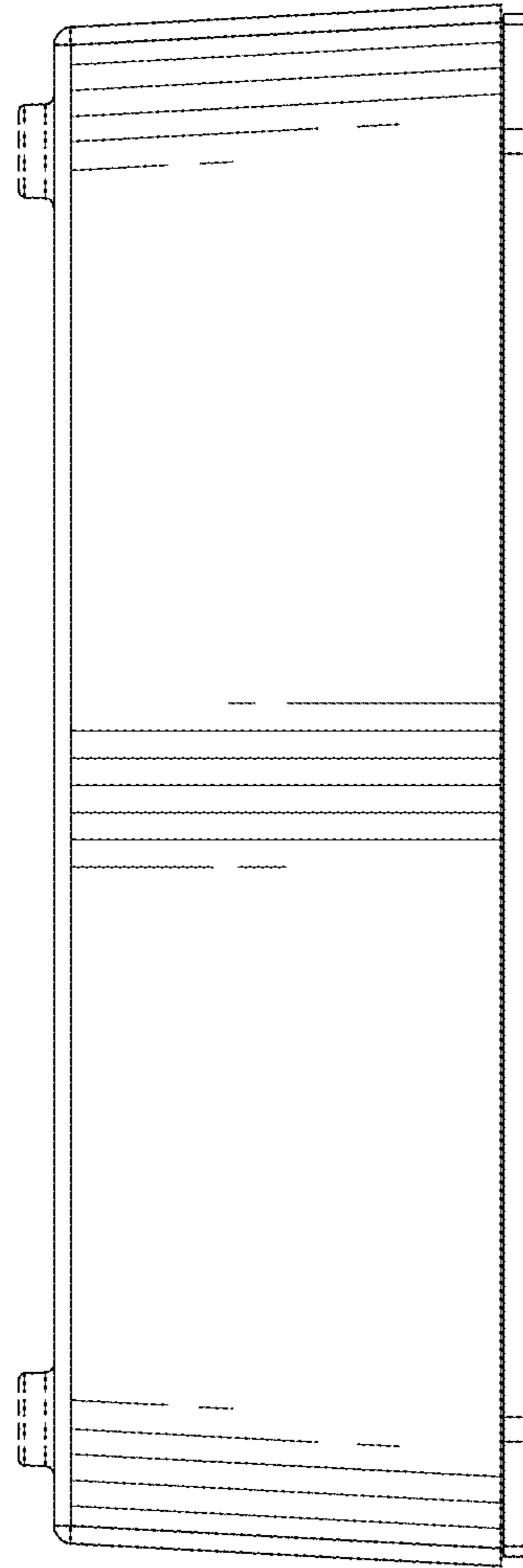


FIG. 6

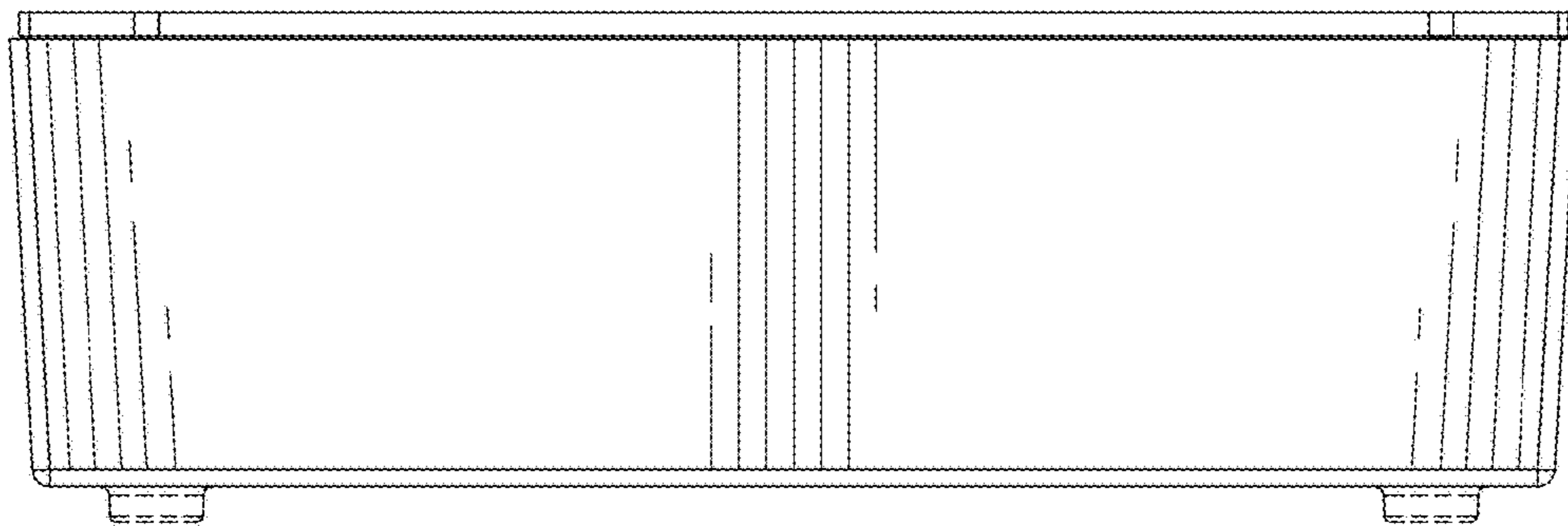


FIG. 7

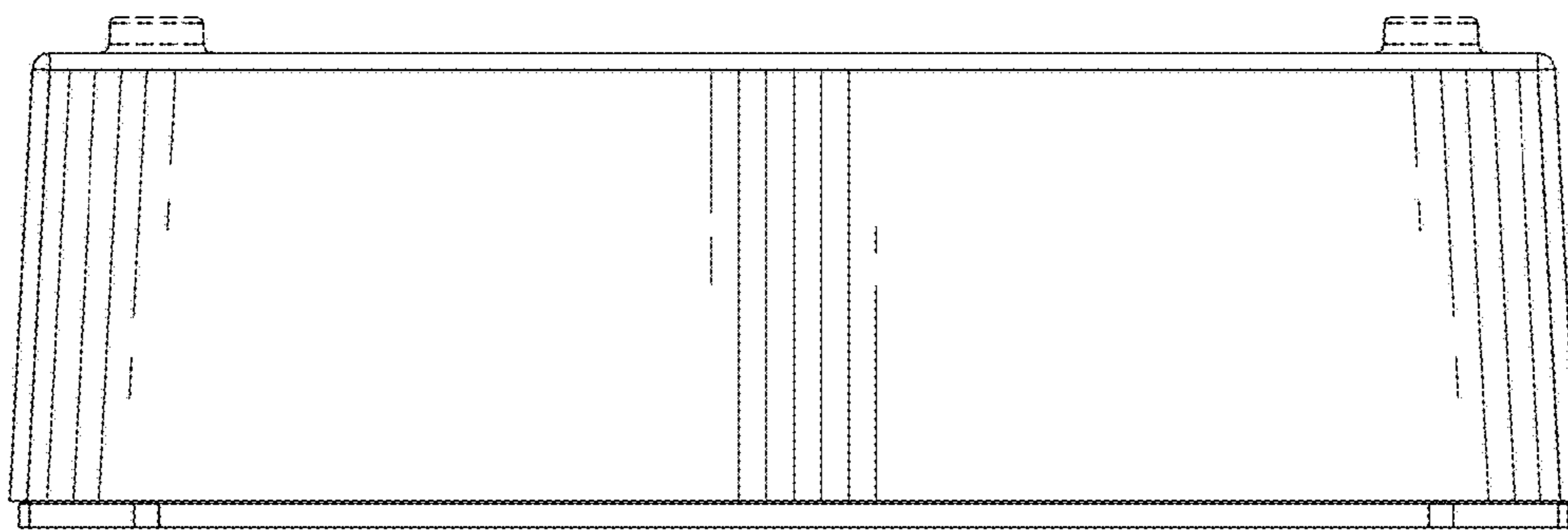


FIG. 8