



US00D819573S

(12) **United States Design Patent**
Li et al.

(10) **Patent No.:** **US D819,573 S**
(45) **Date of Patent:** **** Jun. 5, 2018**

(54) **RECEPTACLE CONNECTOR**

(71) Applicant: **Cheng Uei Precision Industry Co., Ltd.**, New Taipei (TW)

(72) Inventors: **Qing Liang Li**, Dong-Guan (CN); **Zhu Rui Liu**, Dong-Guan (CN); **Jui Ming Chang**, New Taipei (TW)

(73) Assignee: **CHENG UEI PRECISION INDUSTRY CO., LTD.**, New Taipei (TW)

(**) Term: **15 Years**

(21) Appl. No.: **29/549,359**

(22) Filed: **Dec. 21, 2015**

(51) **LOC (11) Cl.** **13-03**

(52) **U.S. Cl.**
USPC **D13/147**

(58) **Field of Classification Search**
USPC D13/103, 112, 118–120, 122, 123, 133, D13/134, 146–147, 149, 154–156, 173, D13/184, 199

CPC H01R 13/518; H01R 13/52; H01R 13/64; H01R 13/6587; H01R 13/65; H01R 13/65802; H01R 23/688; H01R 23/6873; H01R 24/00; H01R 24/60; H01R 24/62; H01R 24/78

See application file for complete search history.

(56) **References Cited**

U.S. PATENT DOCUMENTS

D478,320 S * 8/2003 Suzuki D13/147
D509,190 S * 9/2005 Tsai D13/147
D509,799 S * 9/2005 Tsai D13/147

D522,970 S * 6/2006 Toyota D13/147
D523,400 S * 6/2006 Shang-Yen D13/147
D523,813 S * 6/2006 He D13/147
D538,232 S * 3/2007 Wan D13/147
D553,090 S * 10/2007 Lai D13/147
D618,625 S * 6/2010 Nagata D13/147
D641,706 S * 7/2011 Li D13/147
D647,482 S * 10/2011 Hori D13/147
D682,216 S * 5/2013 Sato D13/147
D706,716 S * 6/2014 Takahira D13/147
D708,581 S * 7/2014 Asano D13/147
9,444,202 B2 * 9/2016 Chien H01R 24/62
9,640,917 B1 * 5/2017 Li H01R 13/6581

* cited by examiner

Primary Examiner — Thomas Johannes

Assistant Examiner — Shawn T Gingrich

(74) *Attorney, Agent, or Firm* — Cheng-Ju Chiang

(57) **CLAIM**

The ornamental design for a receptacle connector, as shown and described.

DESCRIPTION

FIG. 1 is a perspective view of a receptacle connector showing our new design;

FIG. 2 is a front elevational view thereof;

FIG. 3 is a rear elevational view thereof;

FIG. 4 is a left side elevational view thereof;

FIG. 5 is a right side elevational view thereof;

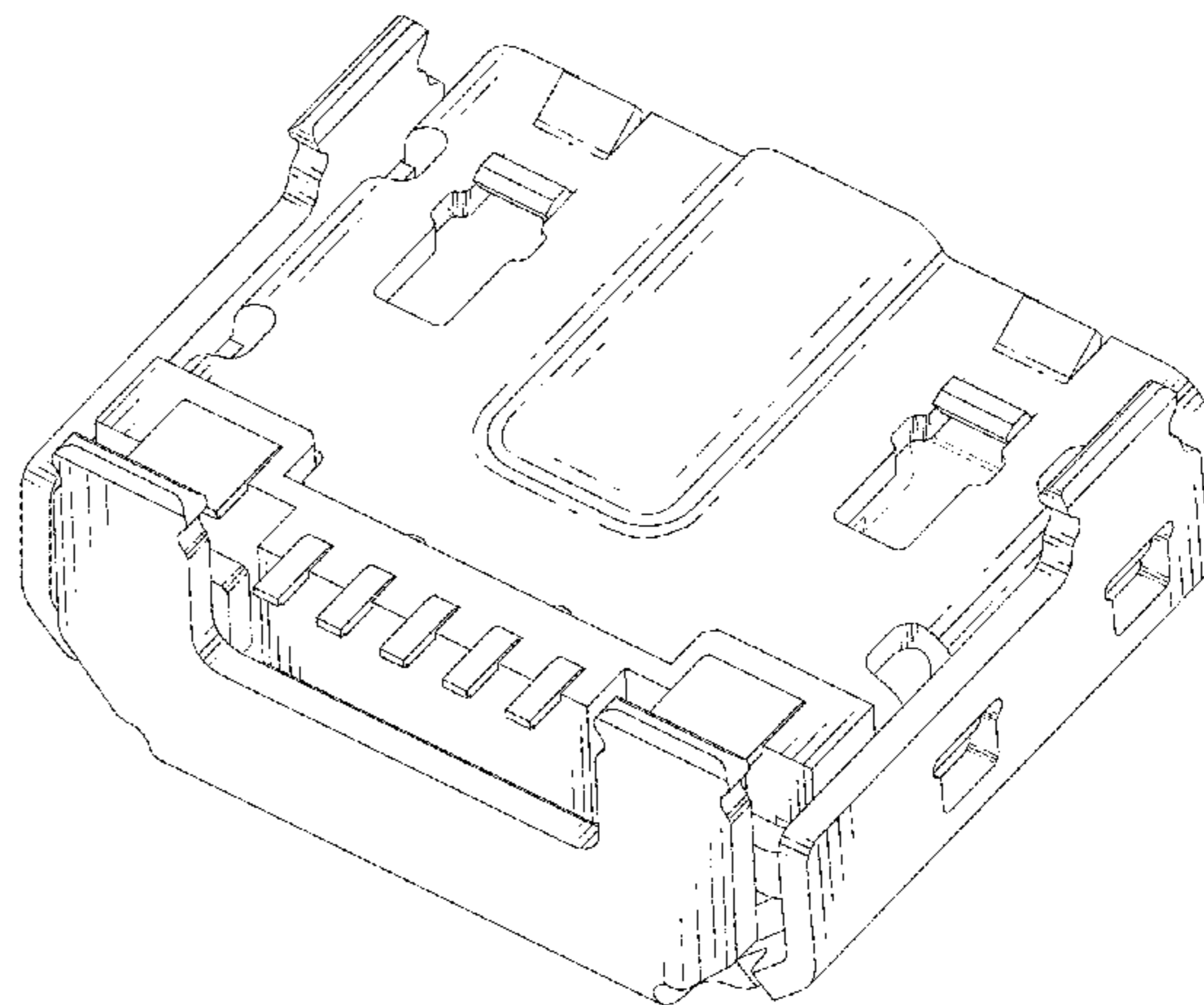
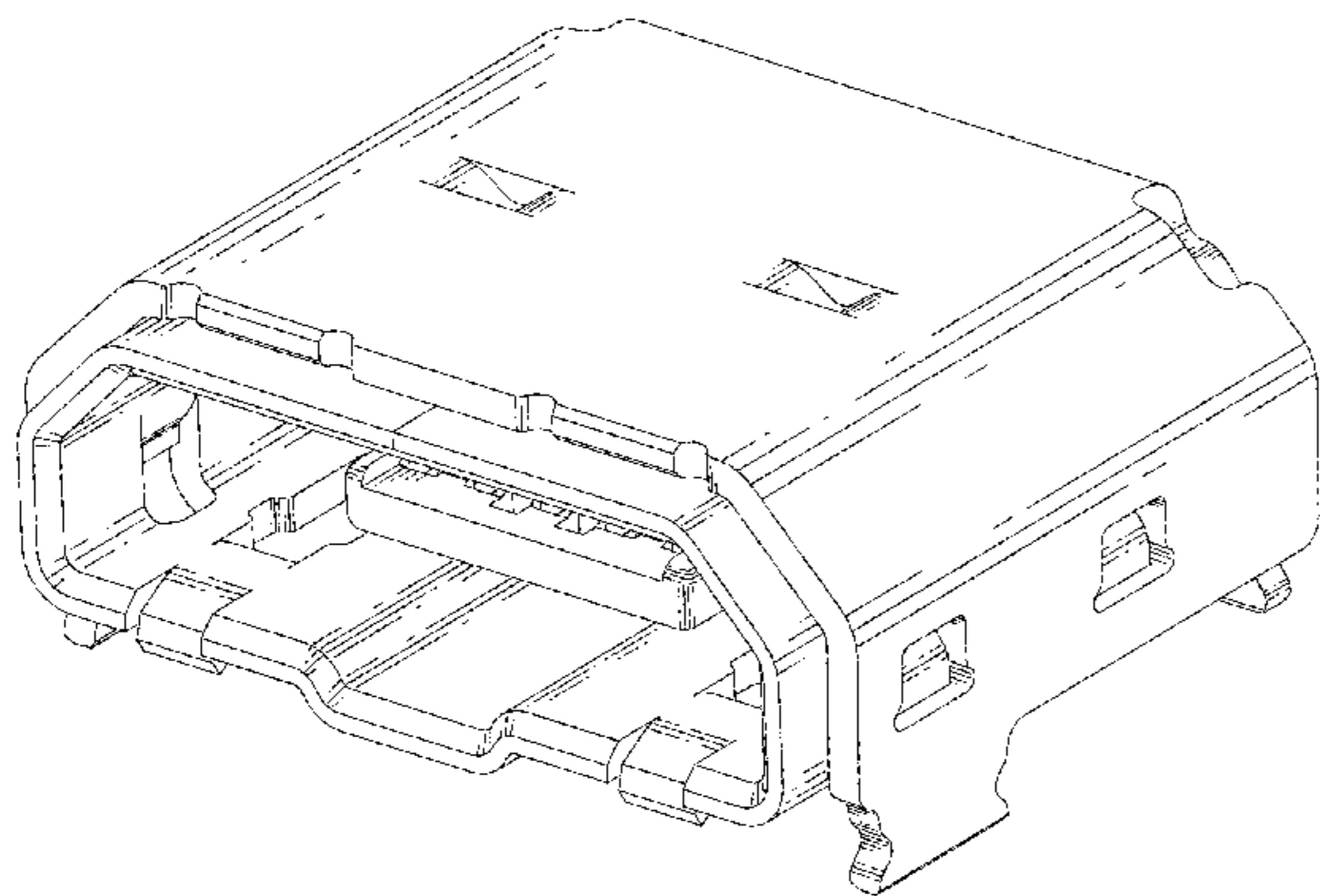
FIG. 6 is a top plan view thereof;

FIG. 7 is a bottom plan view thereof; and,

FIG. 8 is another perspective view of the receptacle connector showing our new design.

The broken line portion of the figure drawings is included to show unclaimed subject matter only and forms no part of the claimed design.

1 Claim, 8 Drawing Sheets



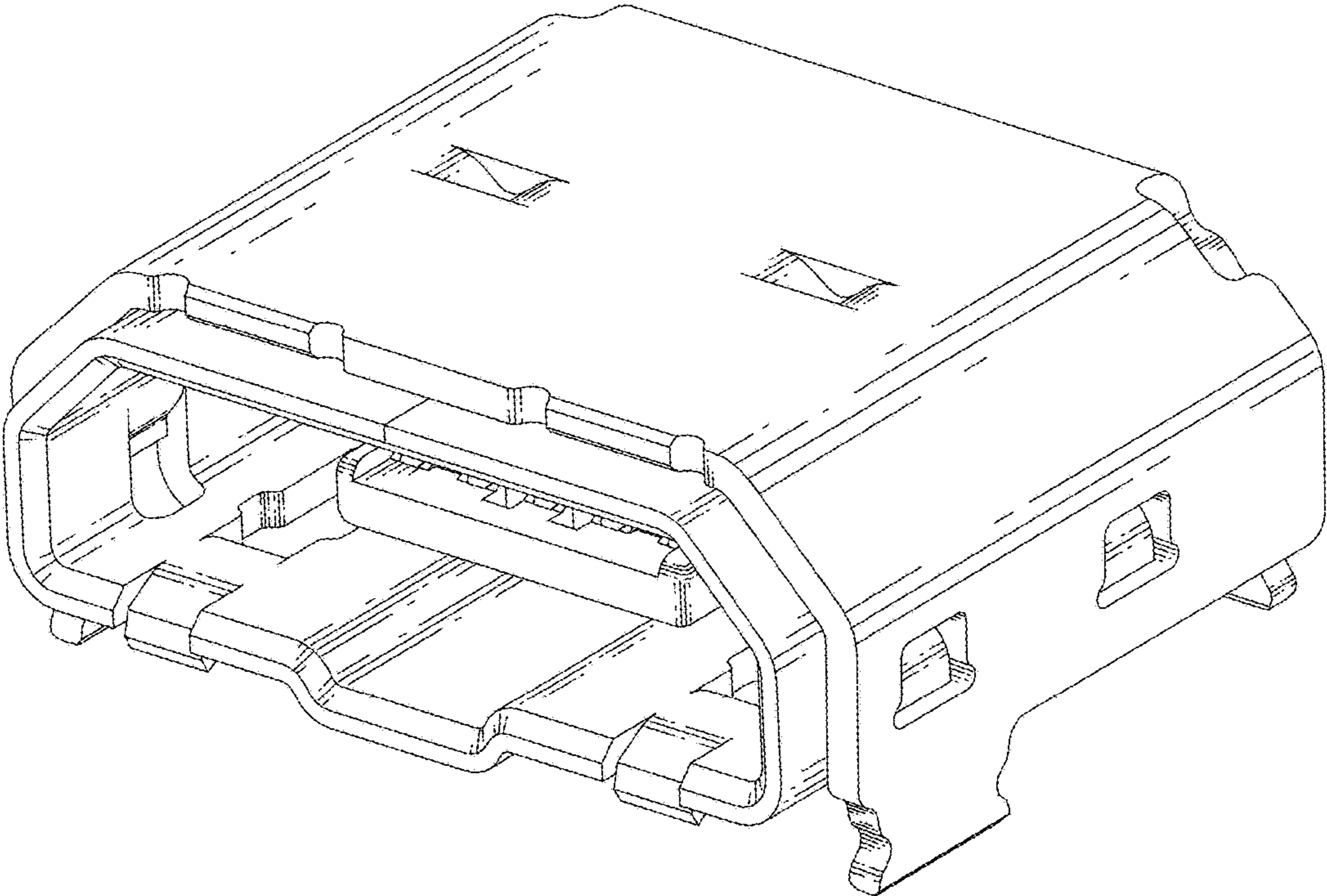


FIG. 1

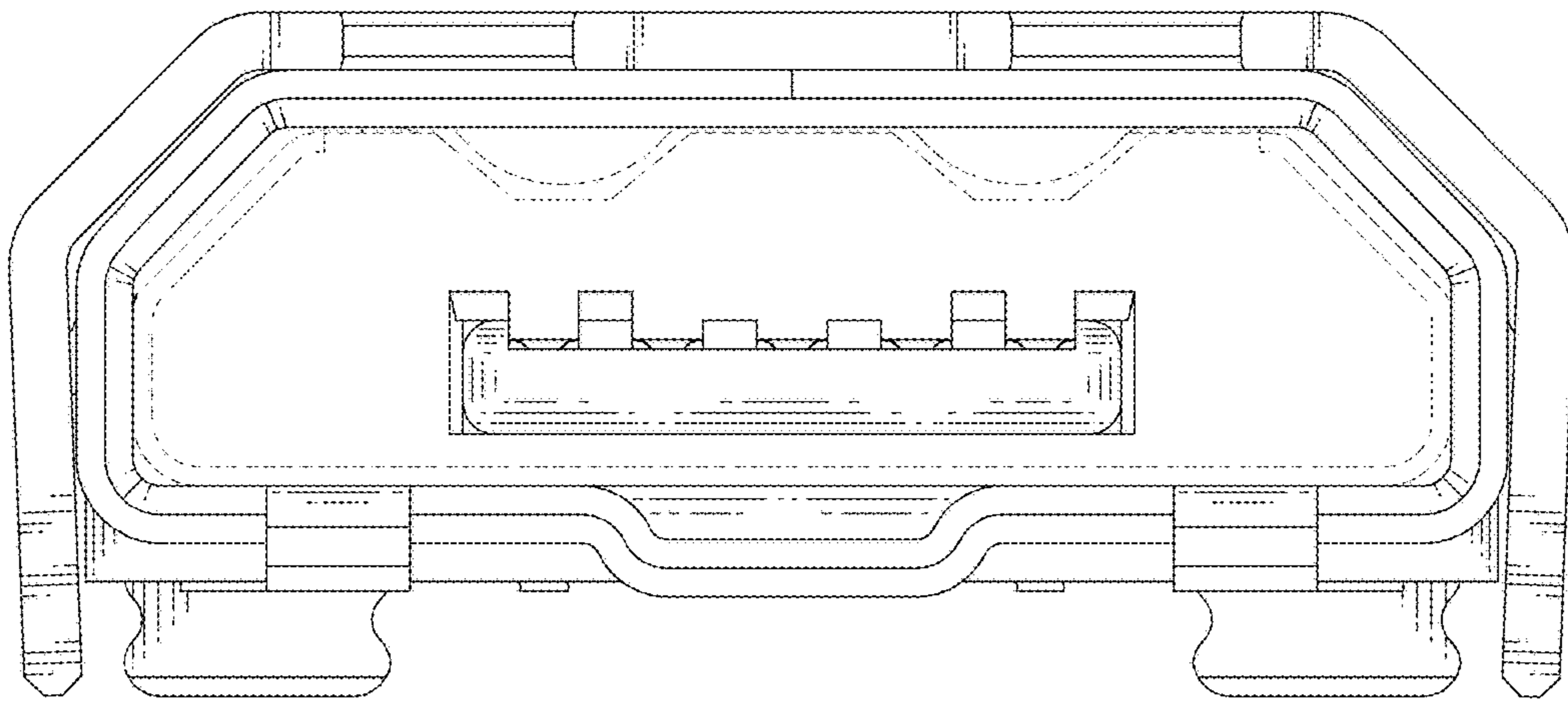


FIG. 2

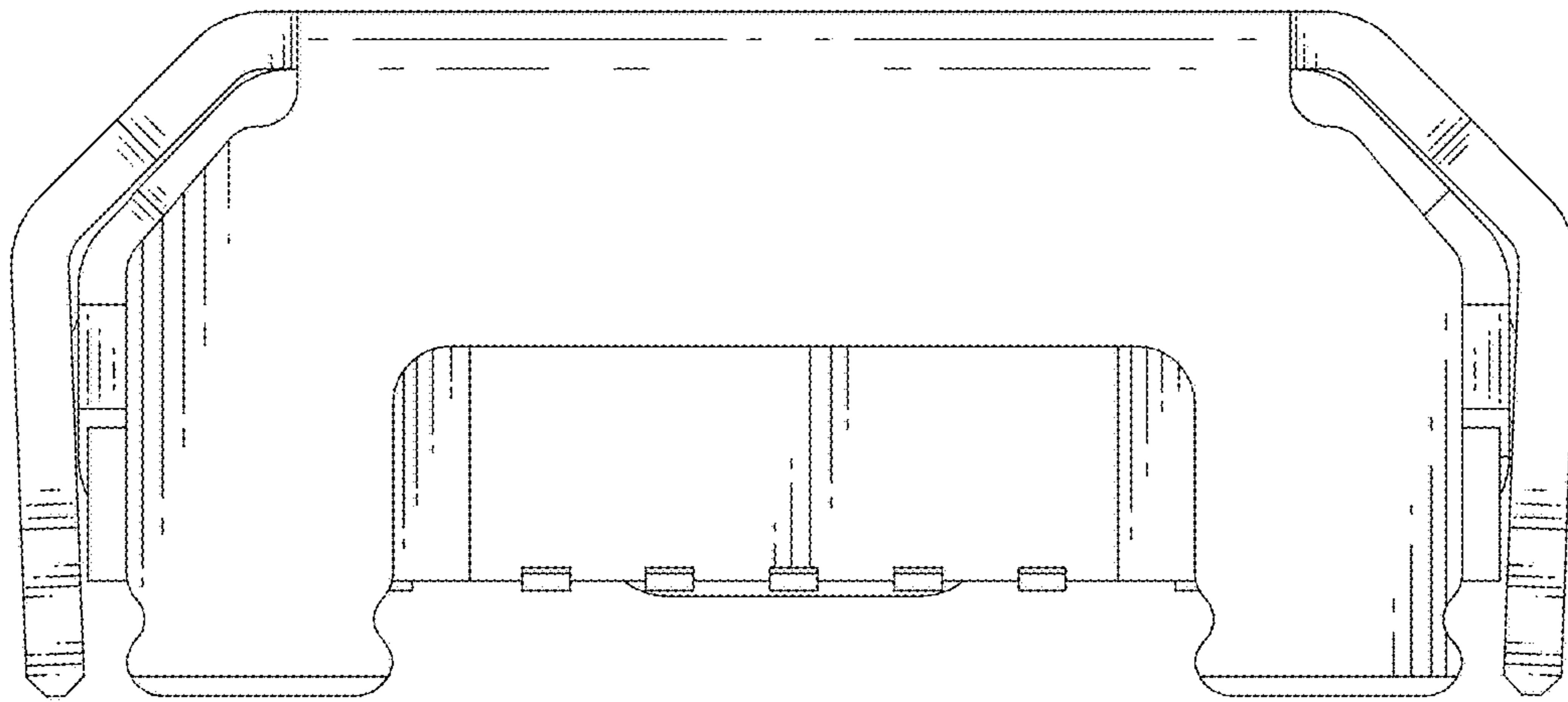


FIG. 3

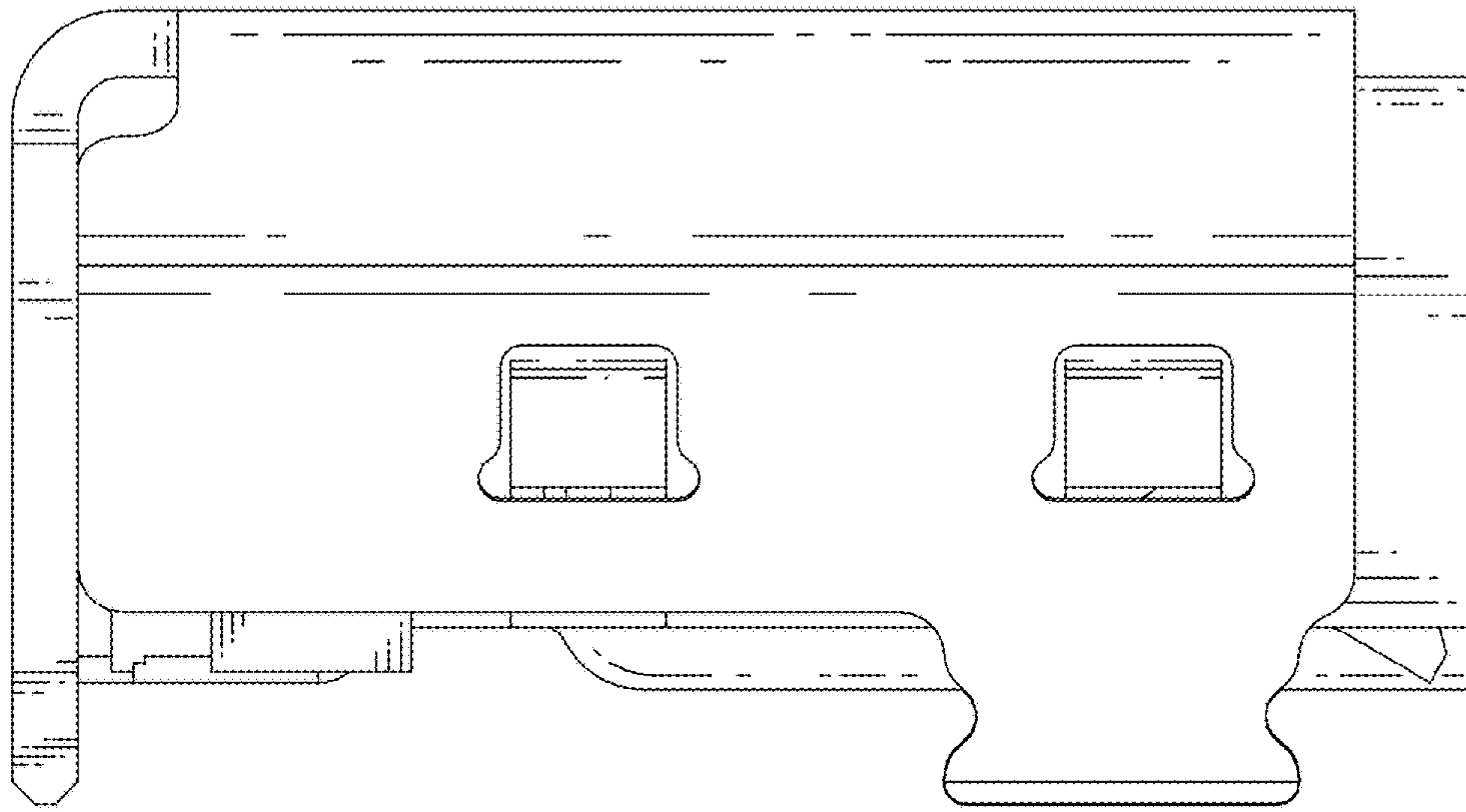


FIG. 4

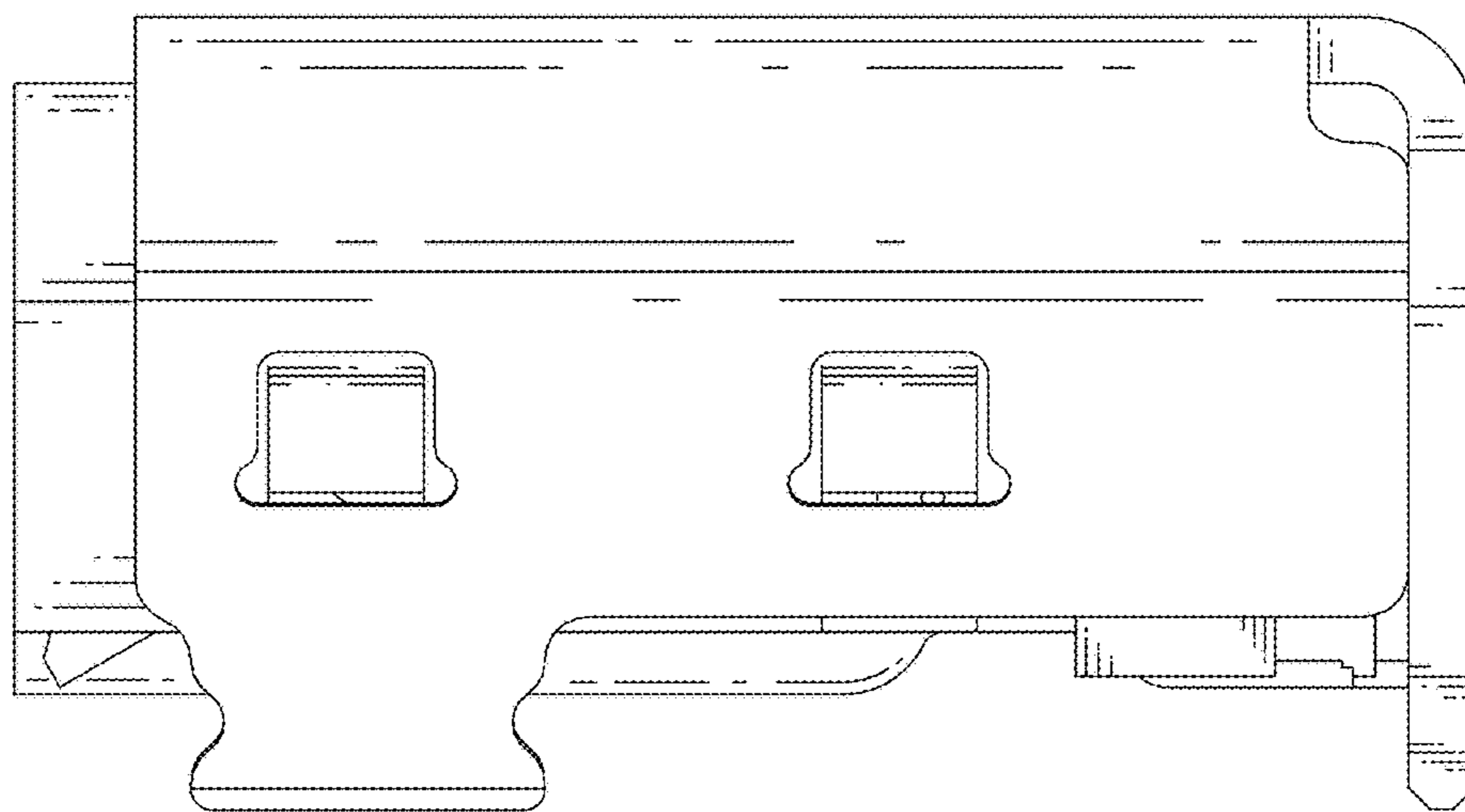


FIG. 5

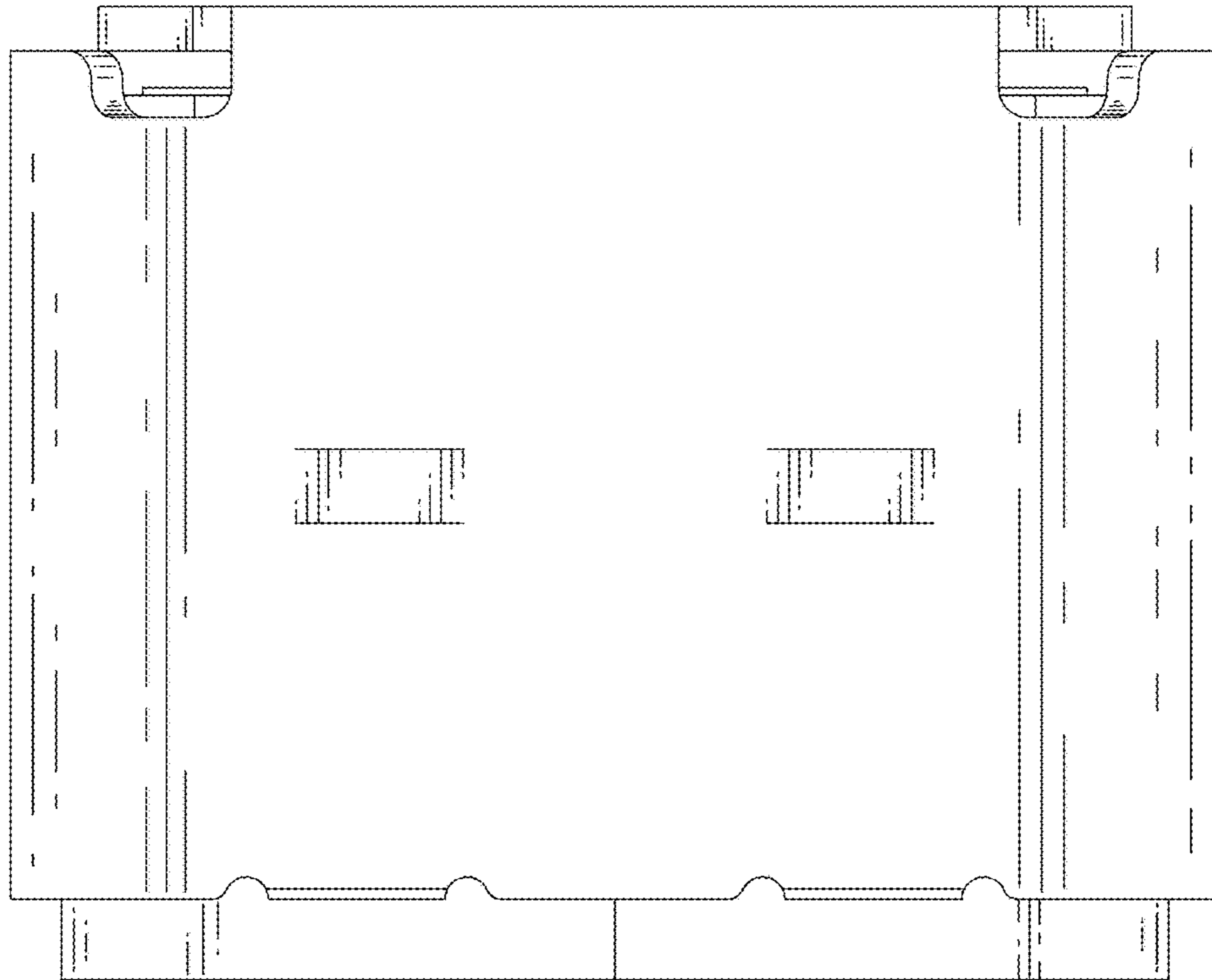


FIG. 6

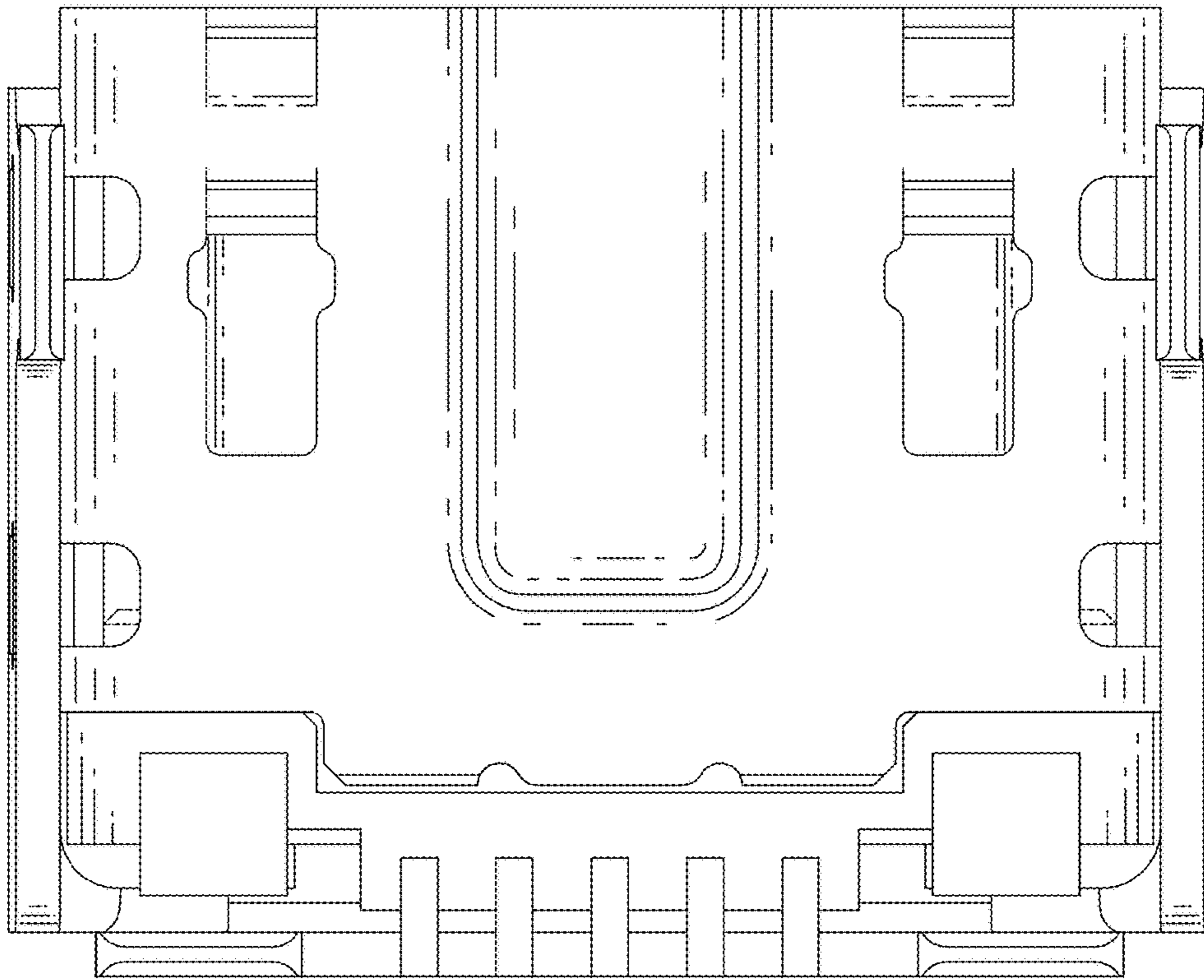


FIG. 7

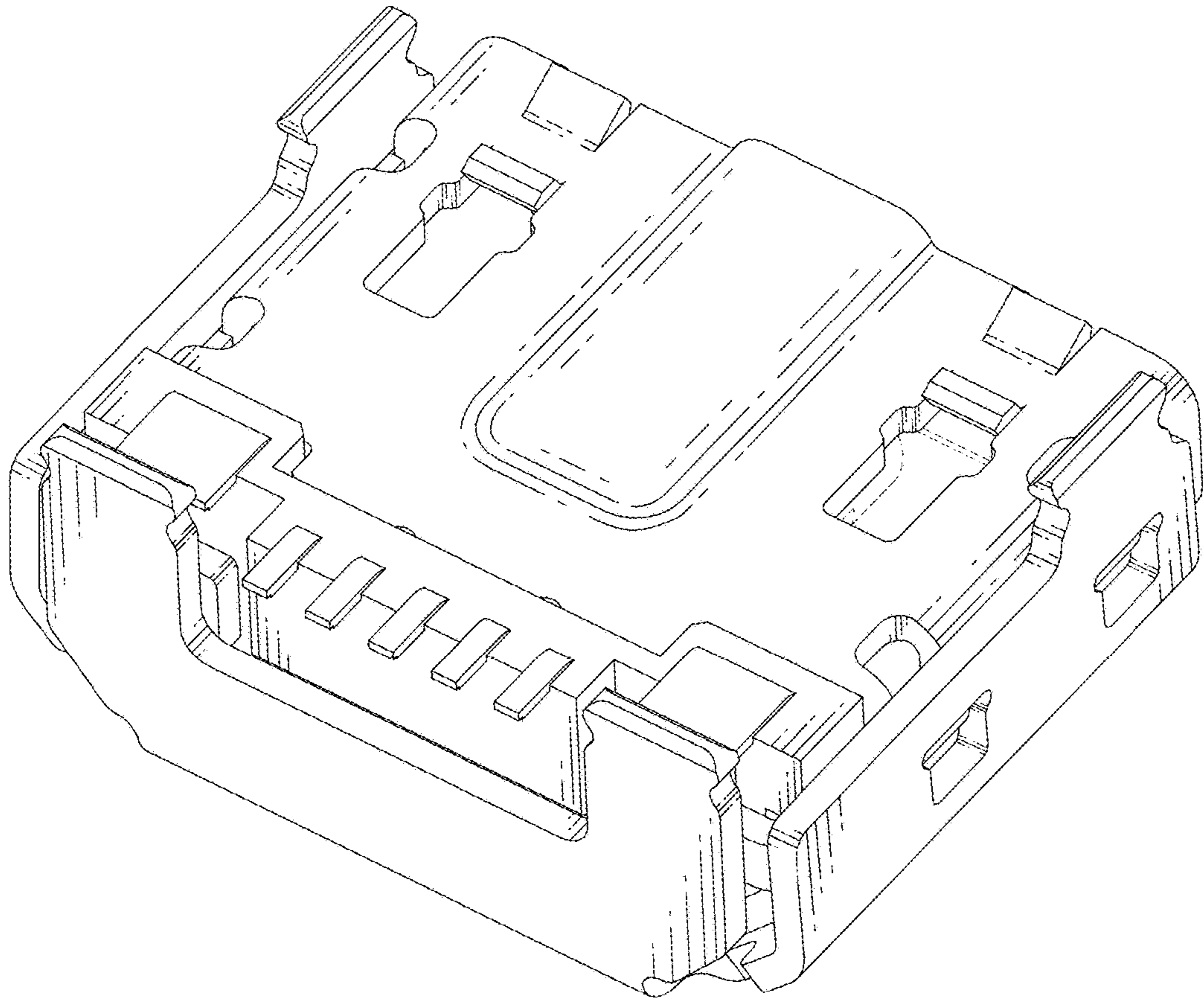


FIG. 8