



US00D819570S

(12) **United States Design Patent**
Zhong

(10) **Patent No.:** **US D819,570 S**
(45) **Date of Patent:** **** Jun. 5, 2018**

(54) **SMART SOCKET**

(71) Applicant: **Shenzhen Ruimaide Technology Co., Ltd.**, Shenzhen, Guangdong (CN)

(72) Inventor: **Decai Zhong**, Guangdong (CN)

(**) Term: **15 Years**

(21) Appl. No.: **29/604,655**

(22) Filed: **May 18, 2017**

(51) **LOC (11) Cl.** **13-03**

(52) **U.S. Cl.**
USPC **D13/137.1**

(58) **Field of Classification Search**
USPC D13/108, 110, 123, 133, 137.1-137.4,
D13/138.1-138.2, 139.1-139.8, 152-154,
D13/146, 147, 156, 158; D14/433;
D8/350-353

CPC H01R 11/00; H01R 9/00; H01R 25/00;
H01R 25/006; H01R 13/11; H01R 24/76
See application file for complete search history.

(56) **References Cited**

U.S. PATENT DOCUMENTS

D520,451 S *	5/2006	Stekelenburg	D13/137.3
D561,694 S *	2/2008	Lam	D13/110
D669,029 S *	10/2012	Huang	D13/110
D701,169 S *	3/2014	Brown	D13/137.1
D713,788 S *	9/2014	Hasegawa	D13/110
D722,020 S *	2/2015	Benedict	D13/110
D757,295 S *	5/2016	Benarieh	D13/110
D762,572 S *	8/2016	Nazar	D13/108
D771,568 S *	11/2016	Romandy	D13/133

D779,919 S *	2/2017	Shargh	D8/330
D795,041 S *	8/2017	Oliva Camacho	D8/331
D807,295 S *	1/2018	Xu	D13/137.2

OTHER PUBLICATIONS

fccic.io: SK01 Smart Wifi Socket User Manual ShenZhen RuiMaiDe (RMD) Technology Co., LTD. Created Mar. 21, 2017. Retrieved from the internet at <<https://fccid.io/2ANIF-SK01/Users-Manual/User-Manual-3537819.html>>, Feb. 25, 2018. 1 page.*

* cited by examiner

Primary Examiner — Rosemary K Tarcza
Assistant Examiner — Christy M Nemeth

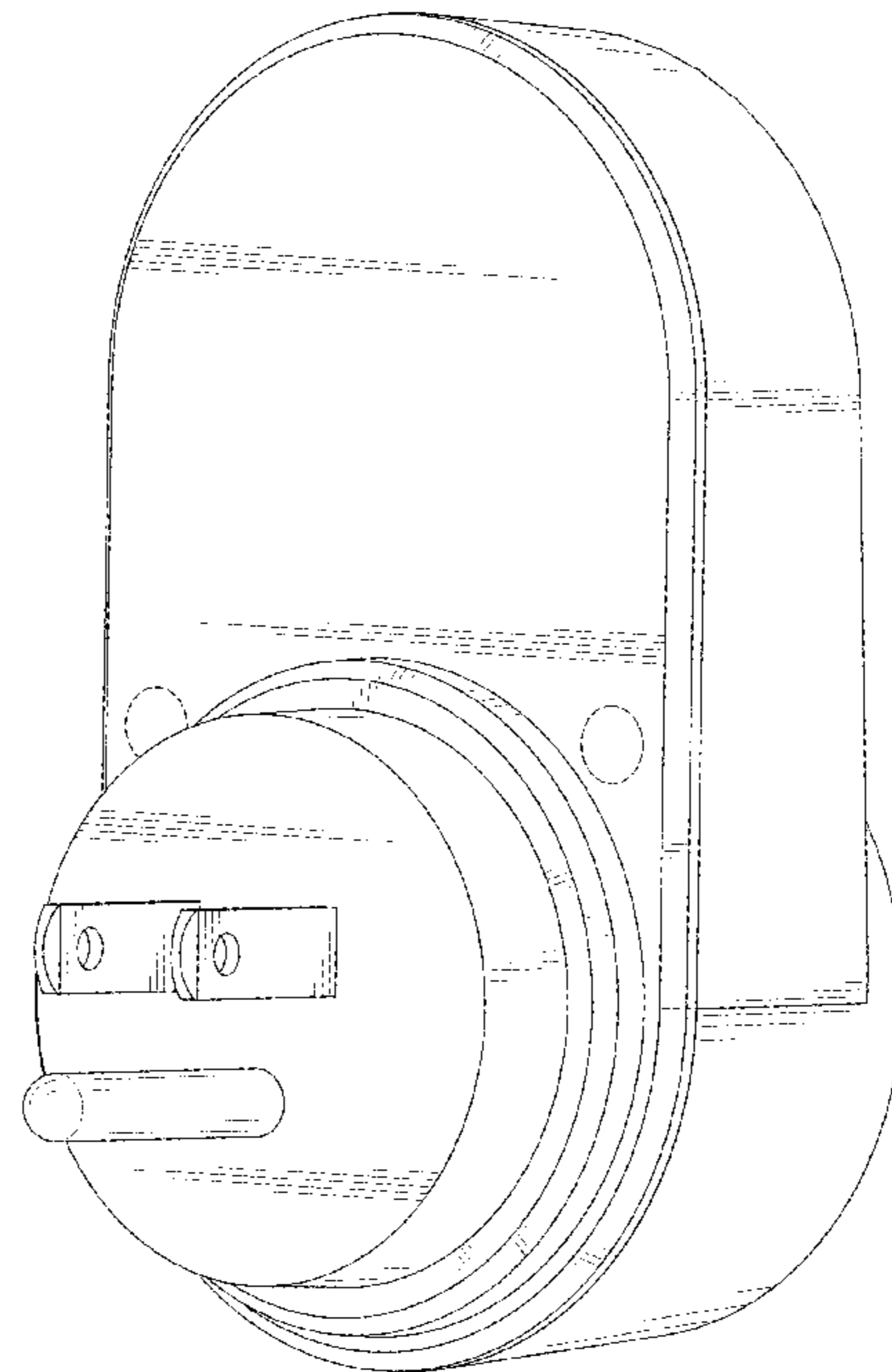
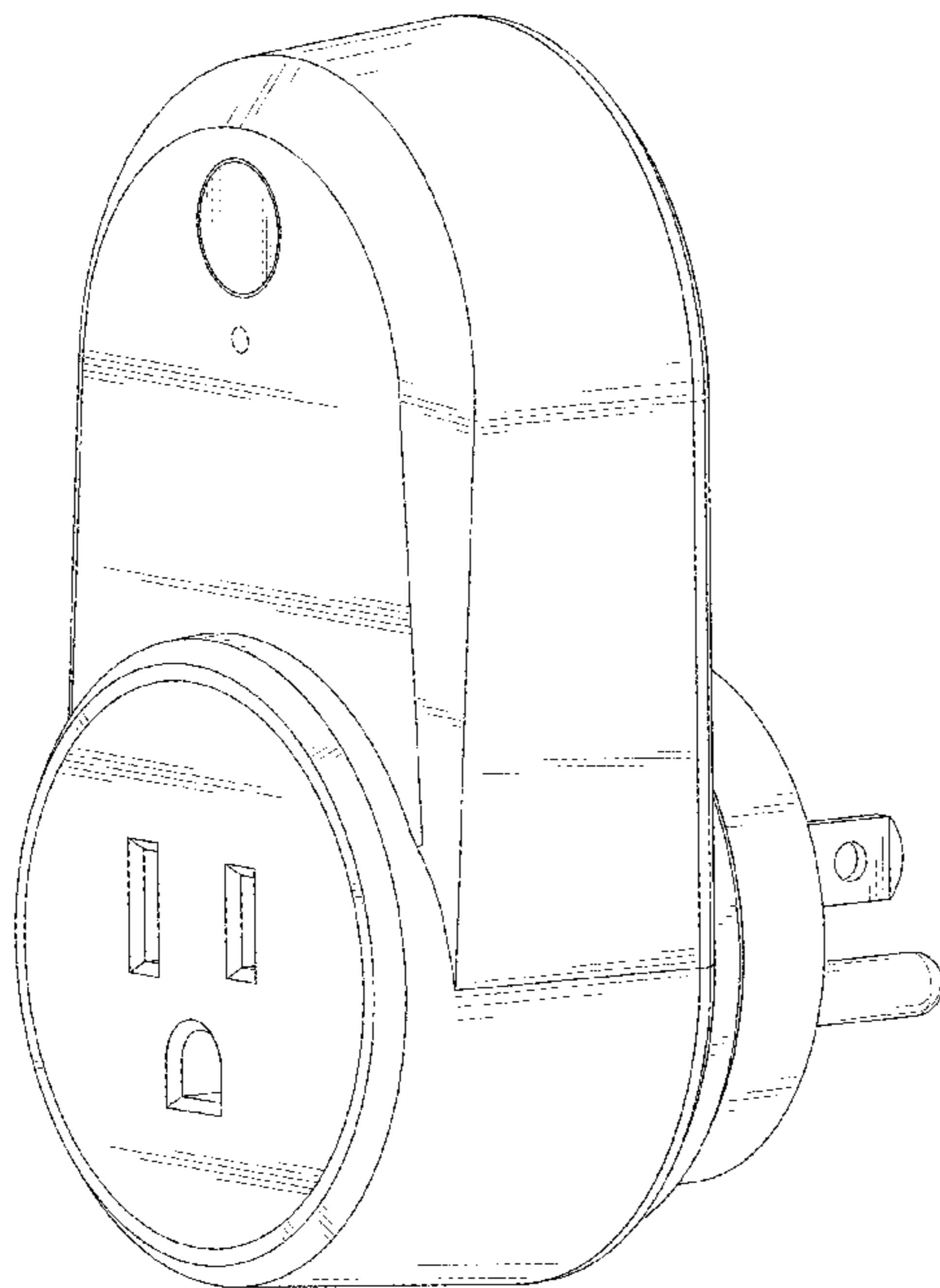
(57) **CLAIM**

The ornamental design for a smart socket, as shown and described.

DESCRIPTION

FIG. 1 is a first perspective view of a smart socket showing my new design;
FIG. 2 is a second perspective view thereof;
FIG. 3 is a front elevational view thereof;
FIG. 4 is a rear elevational view thereof;
FIG. 5 is a left side view thereof;
FIG. 6 is a right side view thereof;
FIG. 7 is a top plan view thereof; and,
FIG. 8 is a bottom plan view thereof.
The broken lines in the drawings illustrate portions of the smart socket which form no part of the claimed design.

1 Claim, 8 Drawing Sheets



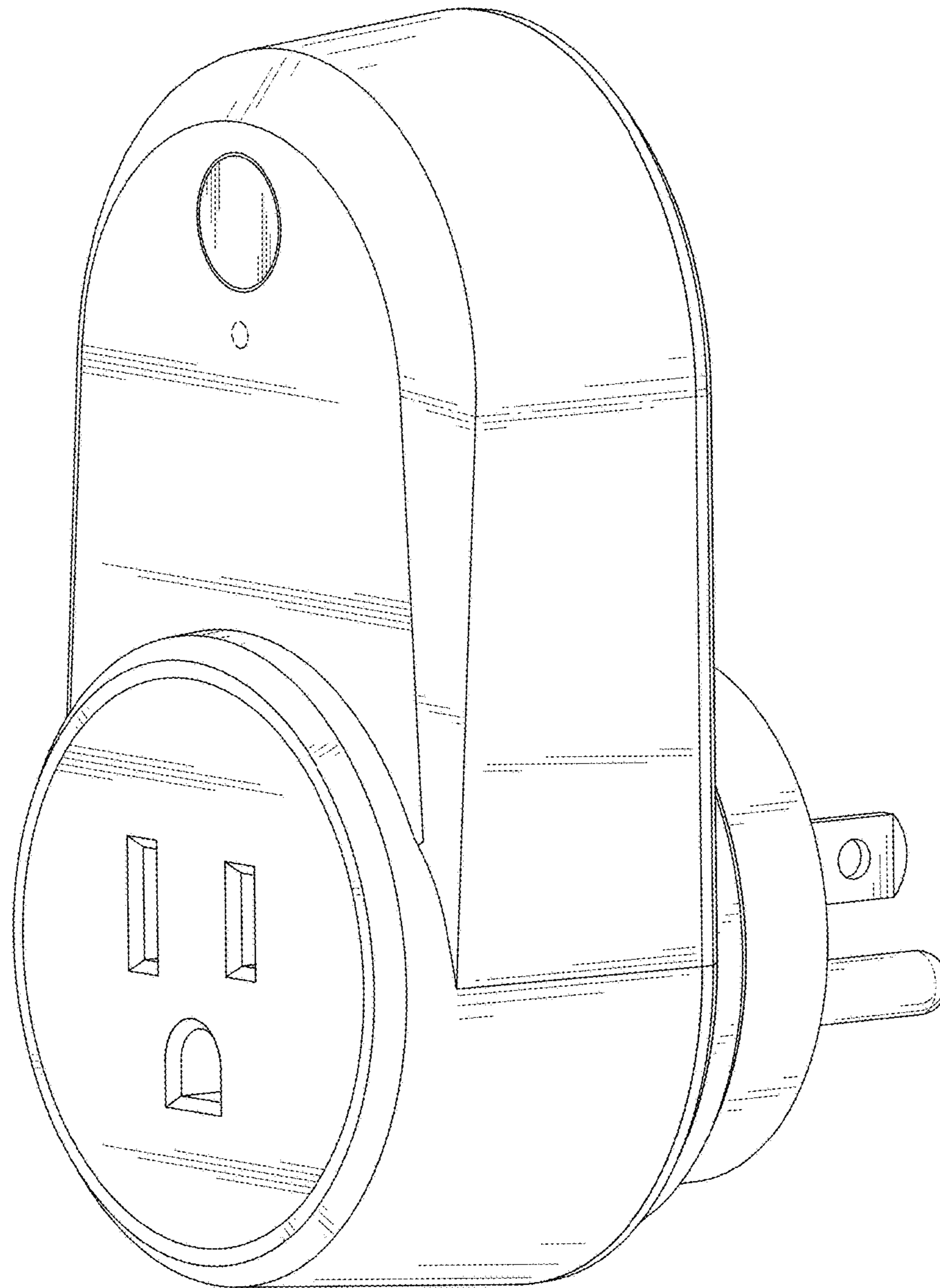


FIG. 1

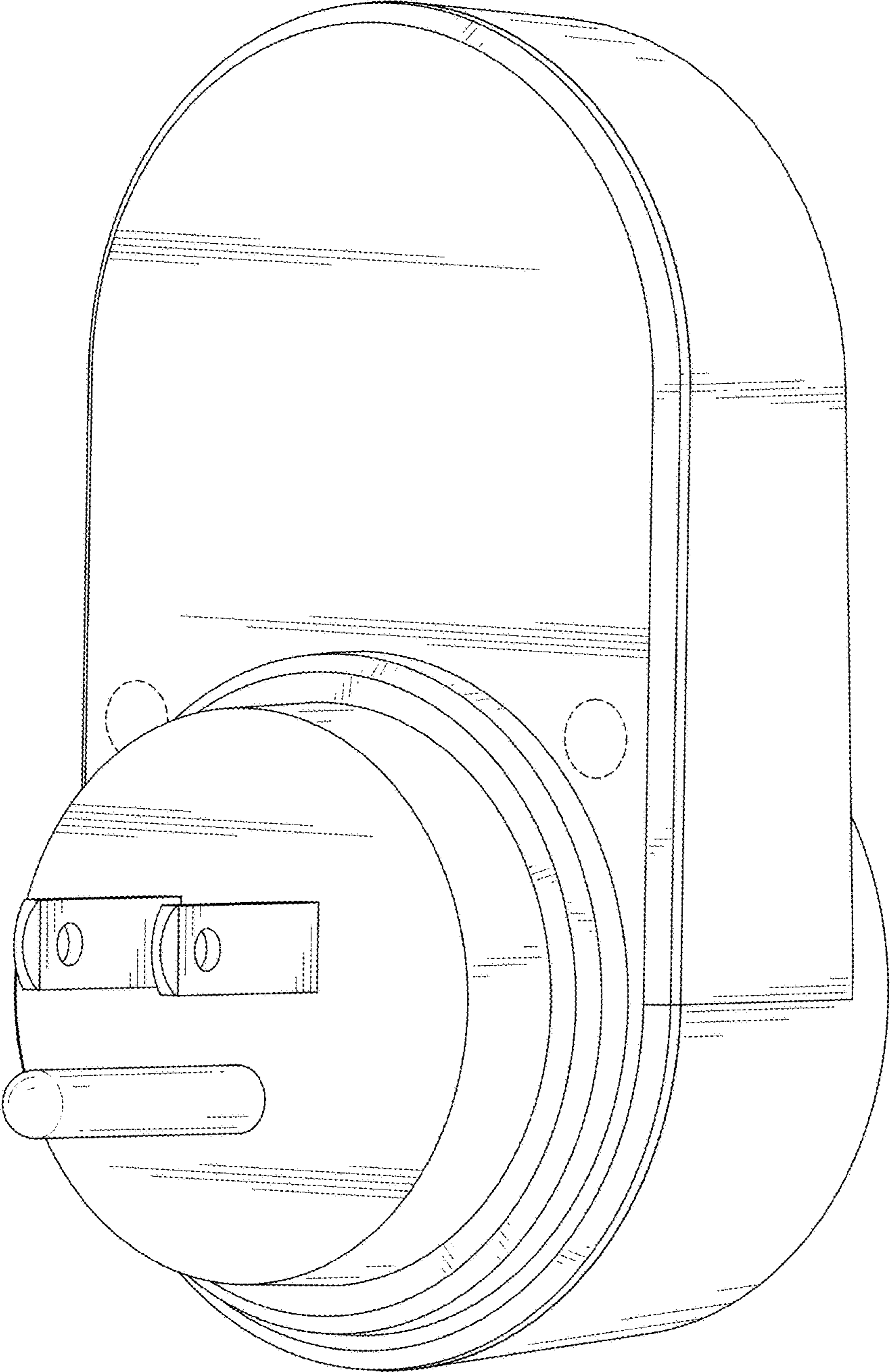


FIG. 2

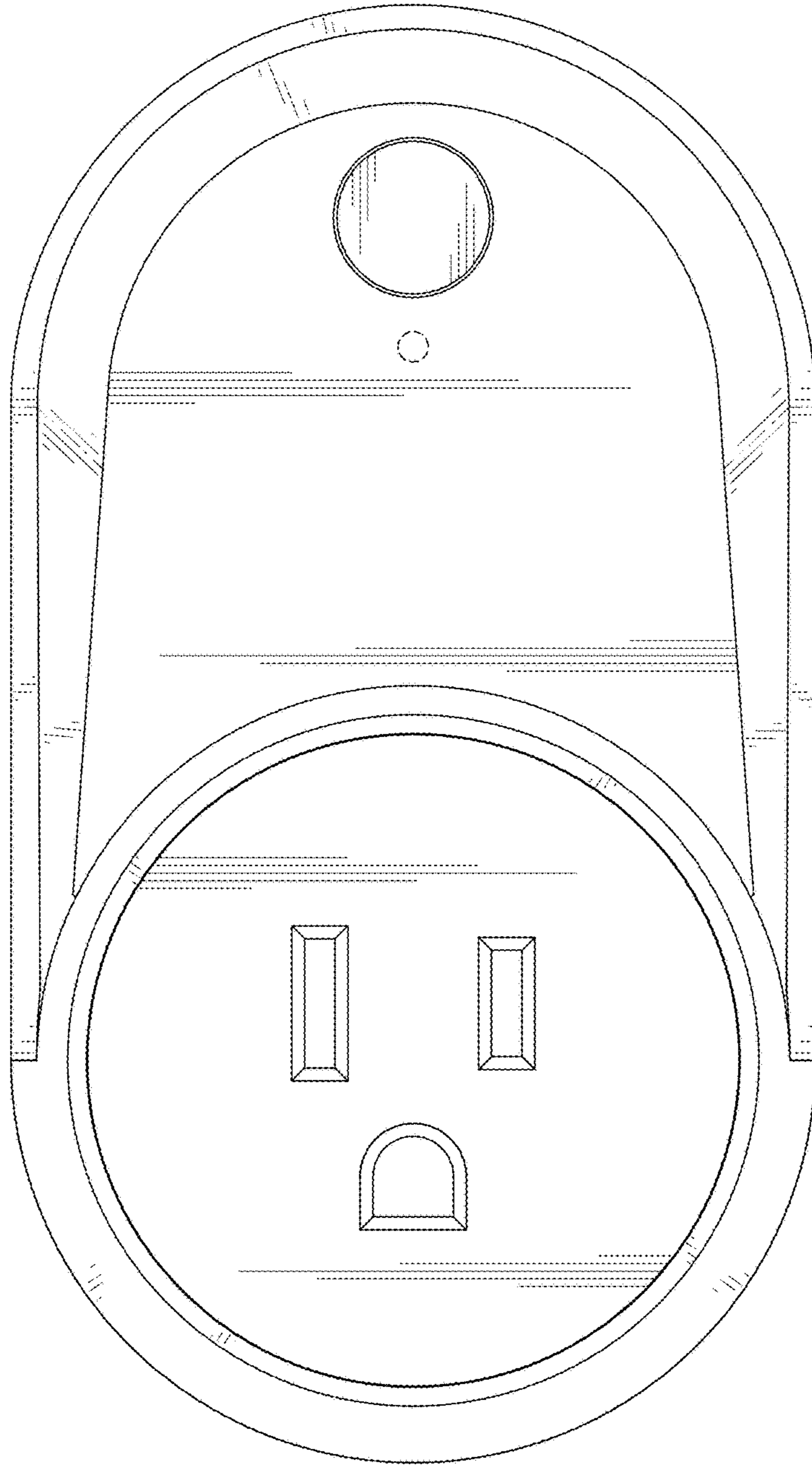


FIG. 3

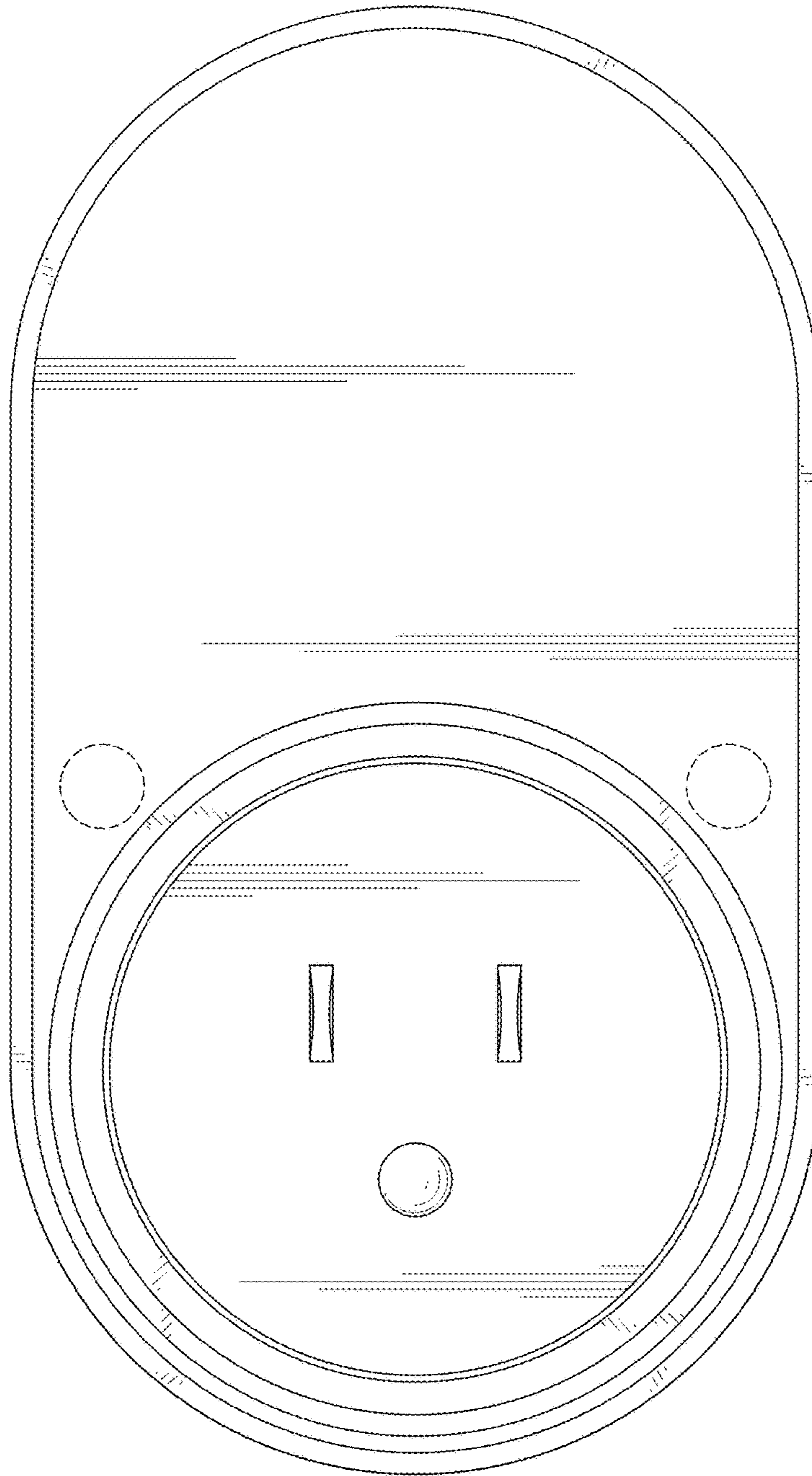


FIG. 4

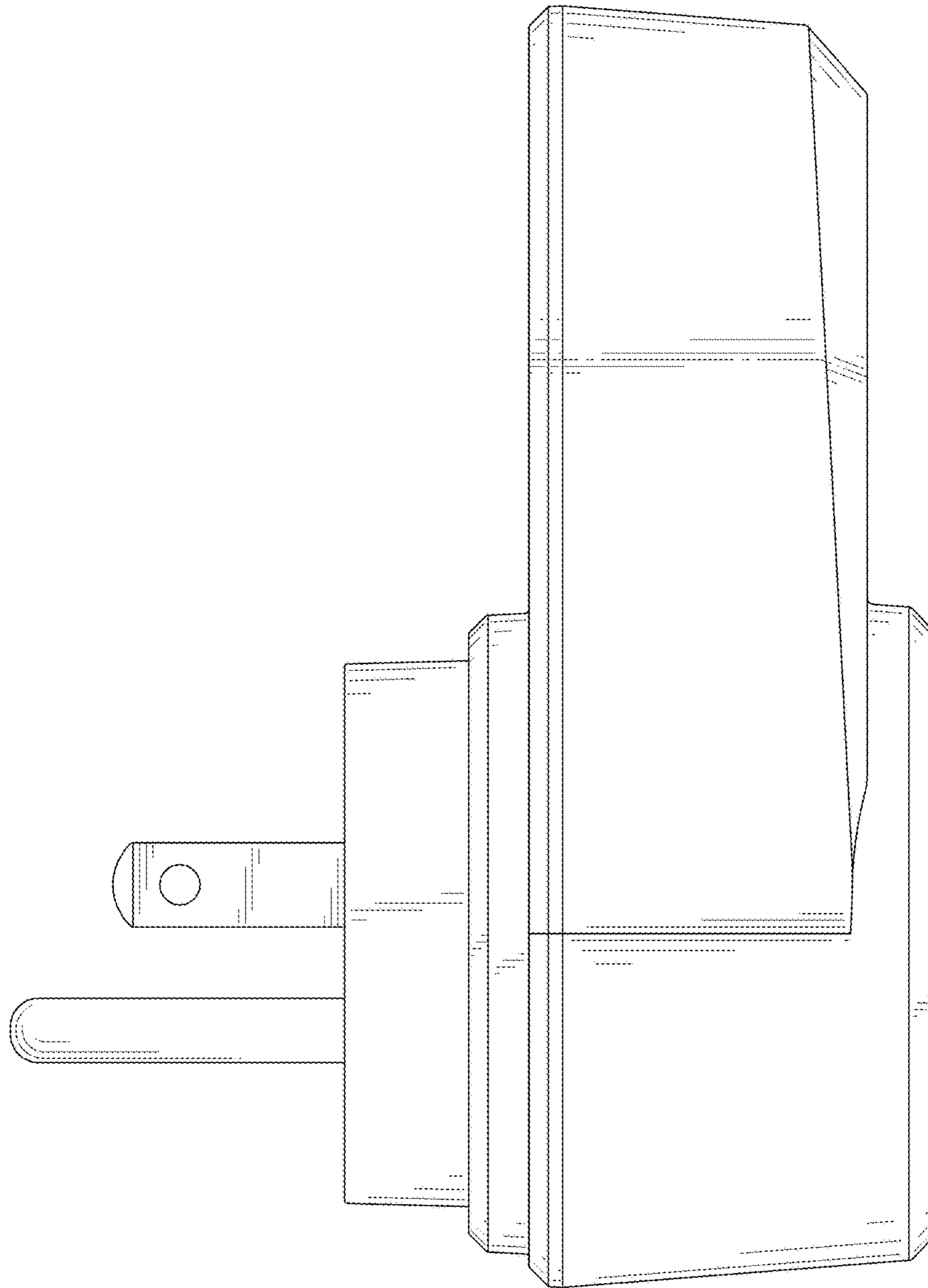


FIG. 5

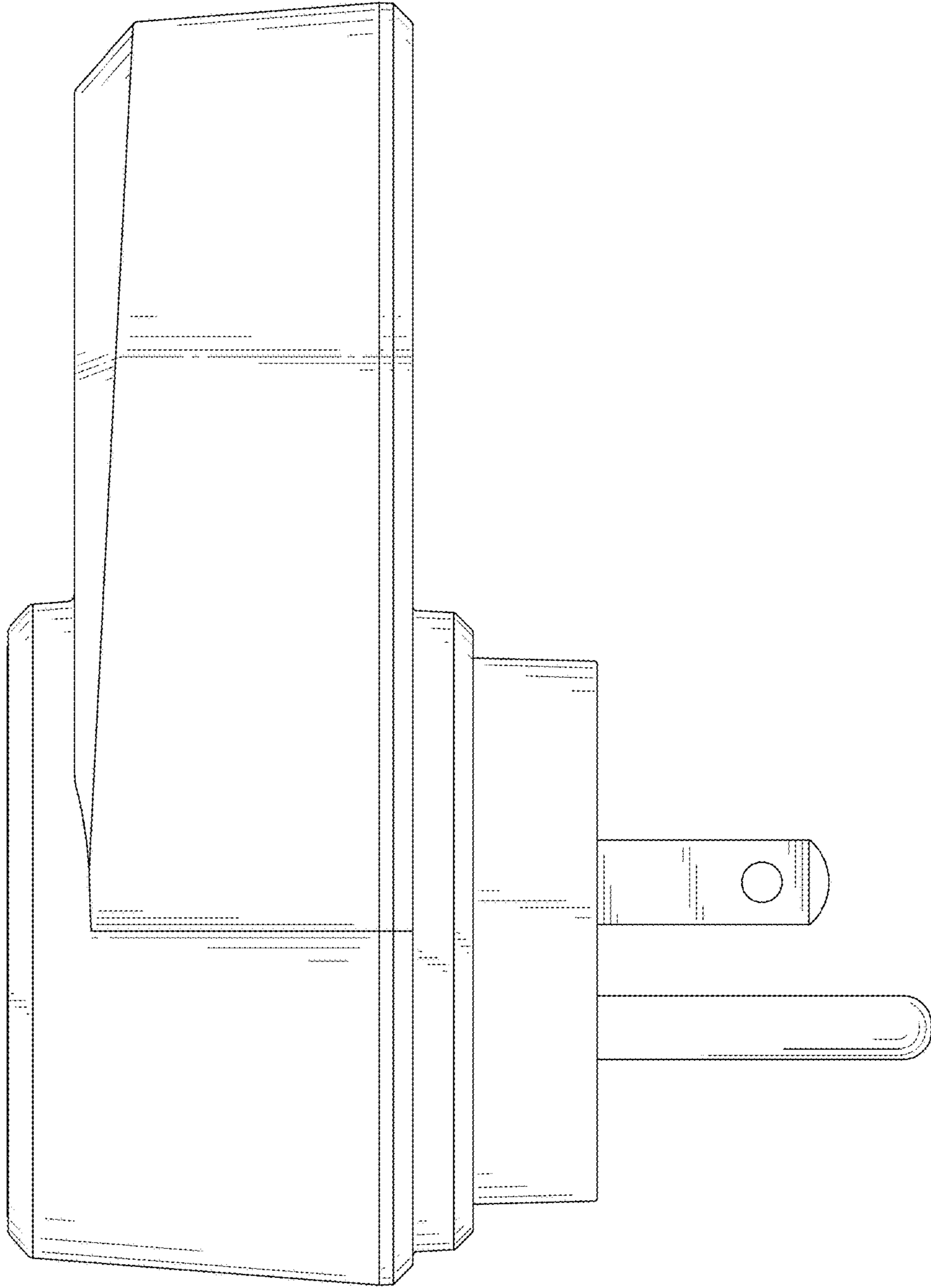


FIG. 6

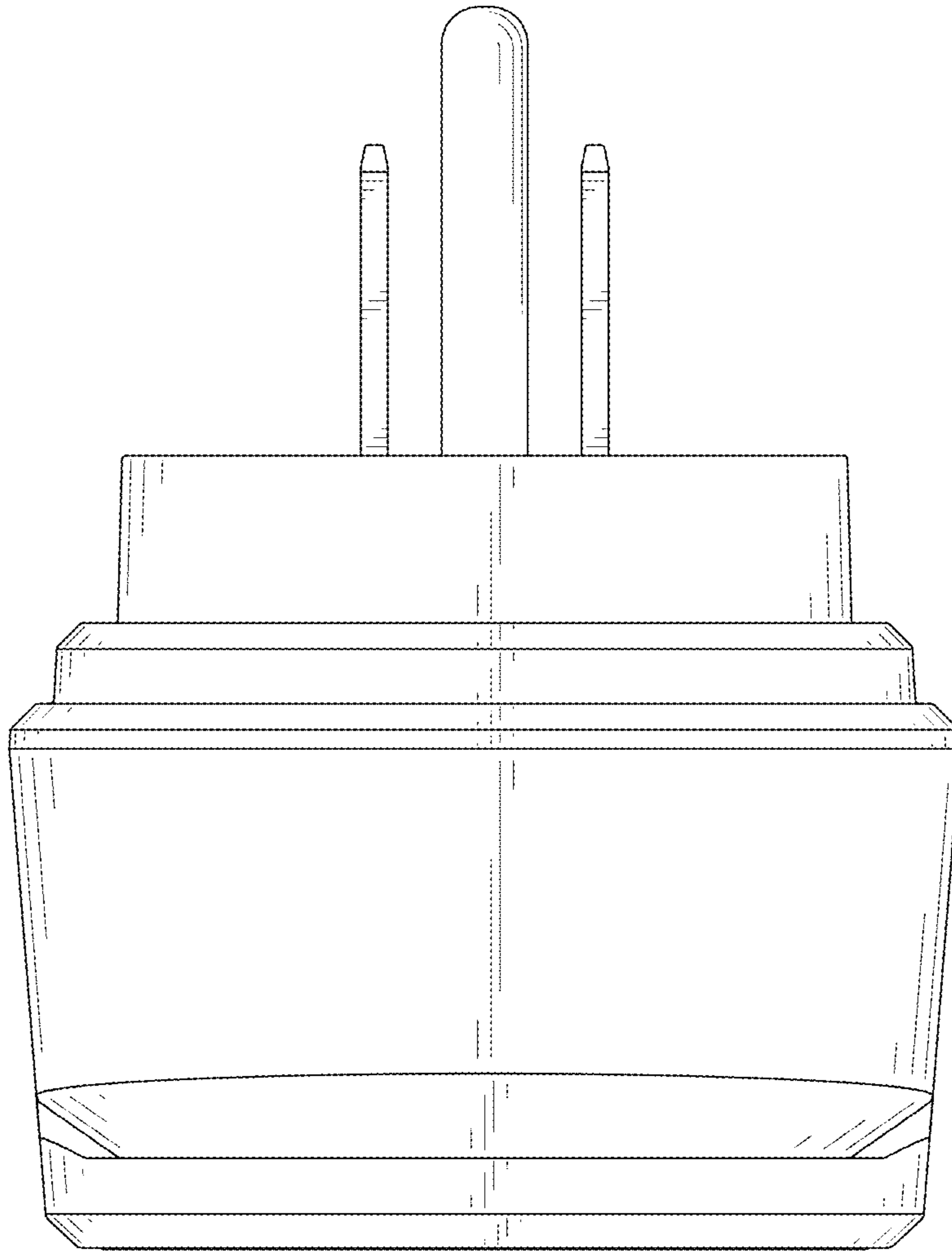


FIG. 7

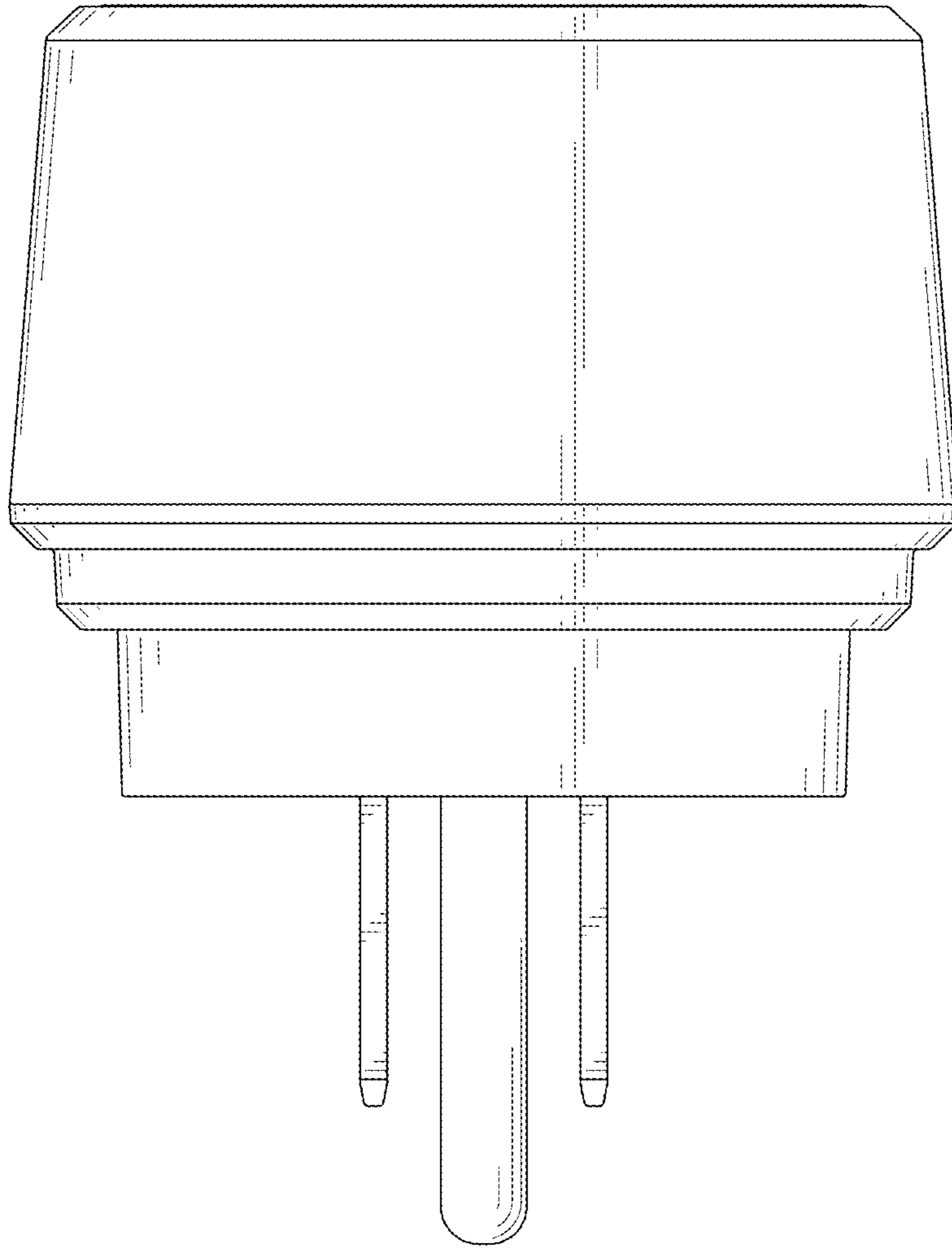


FIG. 8