



US00D819569S

(12) **United States Design Patent** (10) **Patent No.:** **US D819,569 S**
Yamamoto et al. (45) **Date of Patent:** **** Jun. 5, 2018**

(54) **CONNECTOR**

(71) Applicant: **Sony Corporation**, Tokyo (JP)

(72) Inventors: **Masanari Yamamoto**, Kanagawa (JP);
Shinpei Hirano, Tokyo (JP)

(73) Assignee: **SONY CORPORATION**, Tokyo (JP)

(**) Term: **15 Years**

(21) Appl. No.: **29/578,782**

(22) Filed: **Sep. 23, 2016**

(30) **Foreign Application Priority Data**

Mar. 24, 2016	(JP)	D2016-006422
Mar. 24, 2016	(JP)	D2016-006423
Mar. 24, 2016	(JP)	D2016-006424
Mar. 24, 2016	(JP)	D2016-006425
Mar. 24, 2016	(JP)	D2016-006426
Mar. 24, 2016	(JP)	D2016-006427
Mar. 24, 2016	(JP)	D2016-006428
Mar. 24, 2016	(JP)	D2016-006429
Mar. 24, 2016	(JP)	D2016-006430
Mar. 24, 2016	(JP)	D2016-006431
Mar. 24, 2016	(JP)	D2016-006432
Mar. 24, 2016	(JP)	D2016-006433
Mar. 24, 2016	(JP)	D2016-006434
Mar. 24, 2016	(JP)	D2016-006435
Mar. 24, 2016	(JP)	D2016-006436

(Continued)

(51) **LOC (11) Cl.** **13-03**

(52) **U.S. Cl.**
USPC **D13/133**

(58) **Field of Classification Search**

USPC D13/101, 102, 103, 106, 107, 108, 110,
D13/116, 118, 123, 133, 134, 135, 146,
(Continued)

(56) **References Cited**

U.S. PATENT DOCUMENTS

D244,612 S * 6/1977 Burns D13/156
D274,718 S * 7/1984 Dickie D13/156
(Continued)

FOREIGN PATENT DOCUMENTS

JP 2008-535037 A 8/2008
JP D1418670 S 7/2011
(Continued)

OTHER PUBLICATIONS

Sony Xperia Z3, posted at Androidbeat.com, posted on Oct. 6, 2014,
[online], [site visited Jun. 28, 2017]. Available from Internet,
<[http://www.androidbeat.com/2014/10/sony-xperia-z3-compact-re-view-almost-perfect-smartphone/](http://www.androidbeat.com/2014/10/sony-xperia-z3-compact-review-almost-perfect-smartphone/)>.*

(Continued)

Primary Examiner — Mary Ann Calabrese

Assistant Examiner — Catherine Ho

(74) *Attorney, Agent, or Firm* — Michael Best and
Friedrich LLP

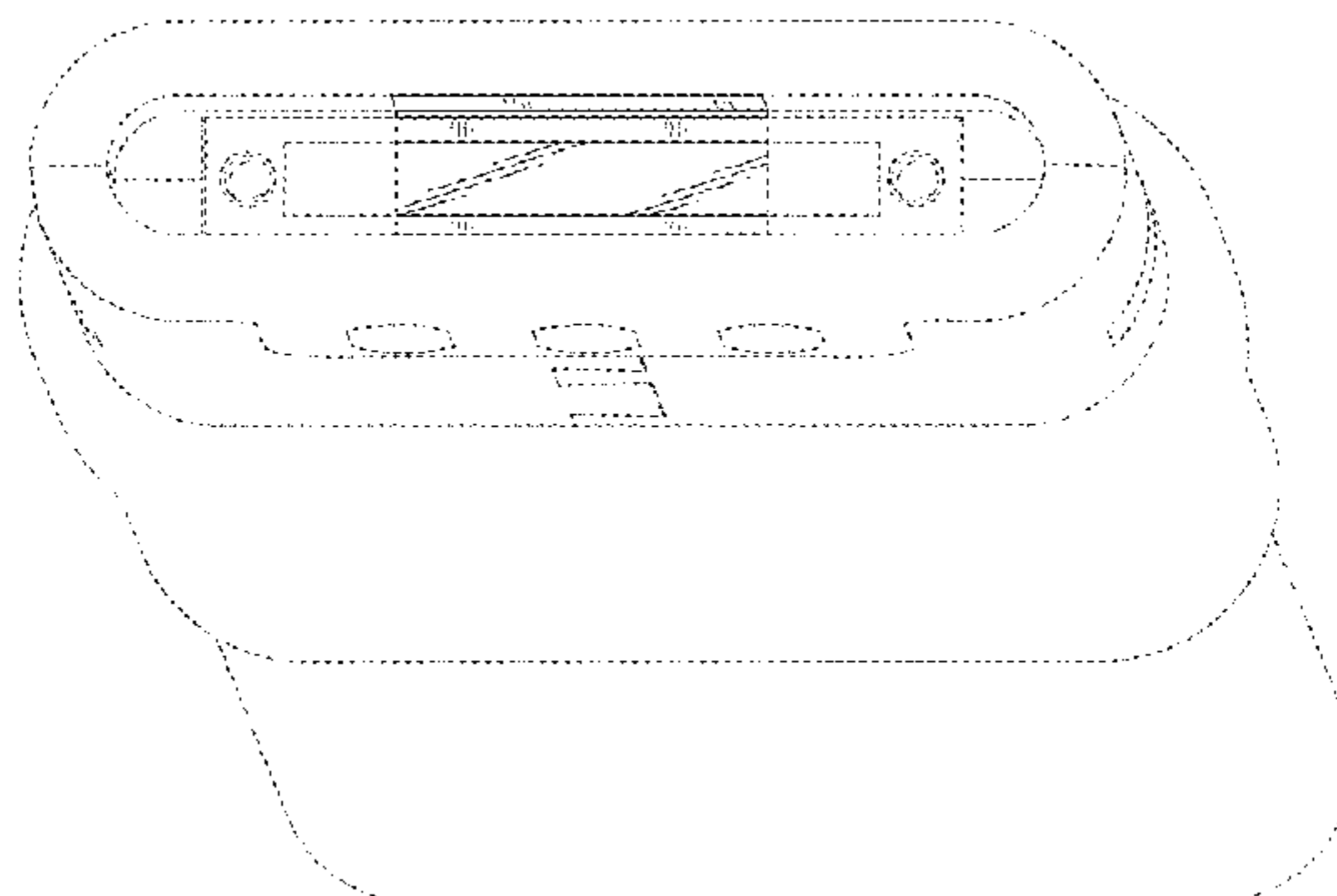
(57) **CLAIM**

The ornamental design for a connector, as shown and
described.

DESCRIPTION

FIG. 1 is a front, bottom, right perspective view of a
connector showing our new design;
FIG. 2 is a front, top, right perspective view thereof; and,
FIG. 3 is a front elevational view thereof.

(Continued)



The broken lines illustrating the unclaimed portions of the connector form no part of the claimed design. Dot-dash broken lines define the boundaries of, but not included in, the claimed design.

1 Claim, 2 Drawing Sheets

(30) **Foreign Application Priority Data**

Mar. 24, 2016 (JP) D2016-006437
 Mar. 24, 2016 (JP) D2016-006438

(58) **Field of Classification Search**

USPC D13/147, 148, 149, 150, 151, 153, 154,
 D13/155, 156, 159, 161, 173, 184, 199
 CPC ... H01R 4/00; H01R 4/60; H01R 4/66; H01R
 13/00; H01R 13/44; H01R 13/52; H01R
 13/58; H01R 13/62; H01R 13/64; H01R
 13/66; H01R 24/38; H01R 43/00; H01R
 43/18; H01R 43/22; H01R 9/05; G02B
 6/38; H02G 3/06

See application file for complete search history.

(56) **References Cited**

U.S. PATENT DOCUMENTS

4,647,120 A * 3/1987 Karabakakis H01R 13/7037
 200/51.09
 4,864,721 A * 9/1989 Rudy, Jr. H01R 13/4226
 29/278

4,936,478 A * 6/1990 Bozdeck G09F 13/04
 174/657
 D611,418 S 3/2010 Kato et al.
 D619,536 S 7/2010 Kato
 D703,616 S * 4/2014 Akana D13/147
 D743,895 S * 11/2015 Akana D13/147
 2017/0175997 A1* 6/2017 Rosenblum F21V 33/0064

FOREIGN PATENT DOCUMENTS

JP D1433450 S 2/2012
 JP D1433754 S 2/2012
 JP D1481414 S 10/2013
 WO WO-2006/108024 A1 10/2006

OTHER PUBLICATIONS

Sony Xperia Z3 vs. iPhone, posted at Youtube.com, posted on Oct.
 14, 2014, [online], [site visited Jun. 28, 2017]. Available from
 Internet, <<https://www.youtube.com/watch?v=7Bs4AkToJ2A>>.*
 MicroUSB to Magnetic connector, posted at Youtube.com, posted
 on Nov. 1, 2014, [online], [site visited Oct. 6, 2017]. Available from
 Internet, <<https://www.youtube.com/watch?v=DQUShM3nkBg>>.*

* cited by examiner

FIG.1

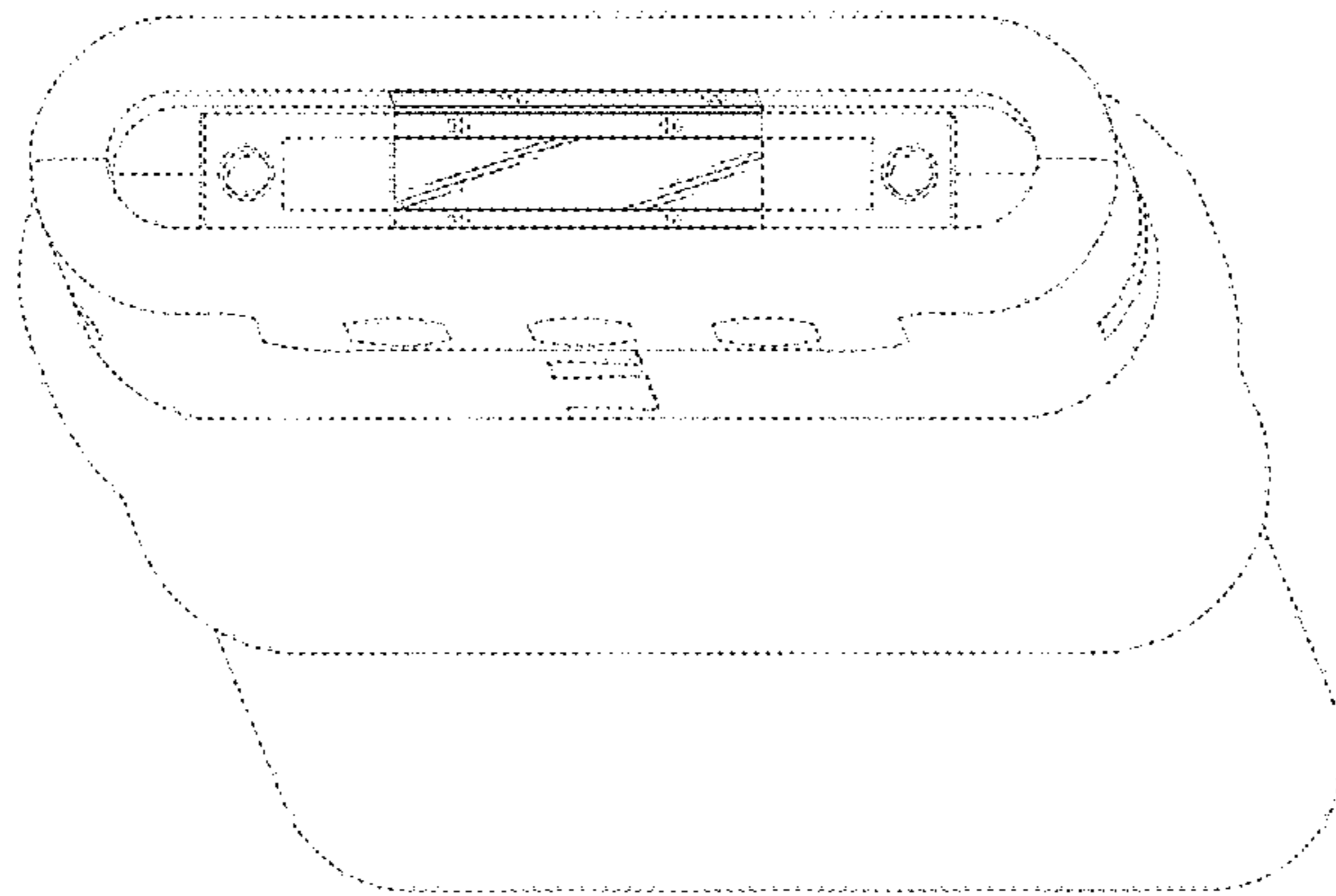


FIG.2

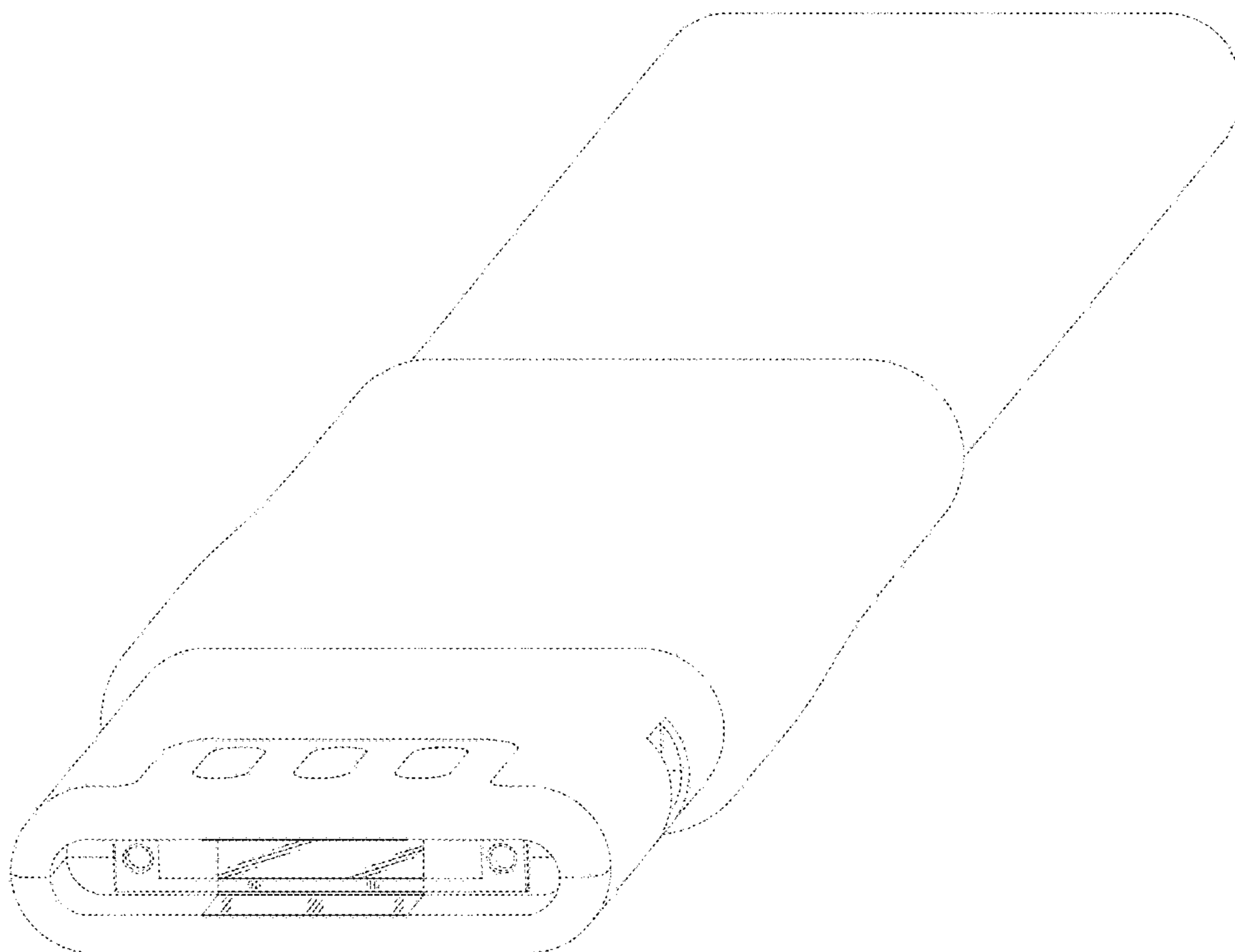


FIG.3

