



US00D819568S

(12) **United States Design Patent** (10) **Patent No.:** **US D819,568 S**
Labocetta (45) **Date of Patent:** **** Jun. 5, 2018**

(54) **TRANSFORMER COVER FOR AMPLIFIER**

(56) **References Cited**

(71) Applicant: **Stephan D. Labocetta**, Brooklyn, NY (US)

U.S. PATENT DOCUMENTS

(72) Inventor: **Stephan D. Labocetta**, Brooklyn, NY (US)

D222,357	S	*	10/1971	Locher	D14/496
D244,778	S	*	6/1977	Latanzi	D14/299
D403,320	S	*	12/1998	Niitsu	D14/168
D636,333	S	*	4/2011	Kulikowski	D13/110
D750,178	S	*	2/2016	Seydoux	D14/217
D771,139	S	*	11/2016	Poulheim	D14/203.3
D771,140	S	*	11/2016	Poulheim	D14/203.3
2014/0367378	A1	*	12/2014	Zweifel	H01F 27/02 220/4.12

(**) Term: **15 Years**

(21) Appl. No.: **29/605,746**

* cited by examiner

(22) Filed: **May 30, 2017**

(51) **LOC (11) Cl.** **13-03**

Primary Examiner — Daniel Bui

(52) **U.S. Cl.**

USPC **D13/118**; D13/110

(58) **Field of Classification Search**

(57) **CLAIM**

USPC D13/110, 118, 123, 148, 149, 154, 155,
D13/156, 108, 180, 182, 184, 199;
D14/496, 137, 155, 168, 169, 188, 193,
D14/217, 299

The ornamental design for a transformer cover for amplifier, as shown and described.

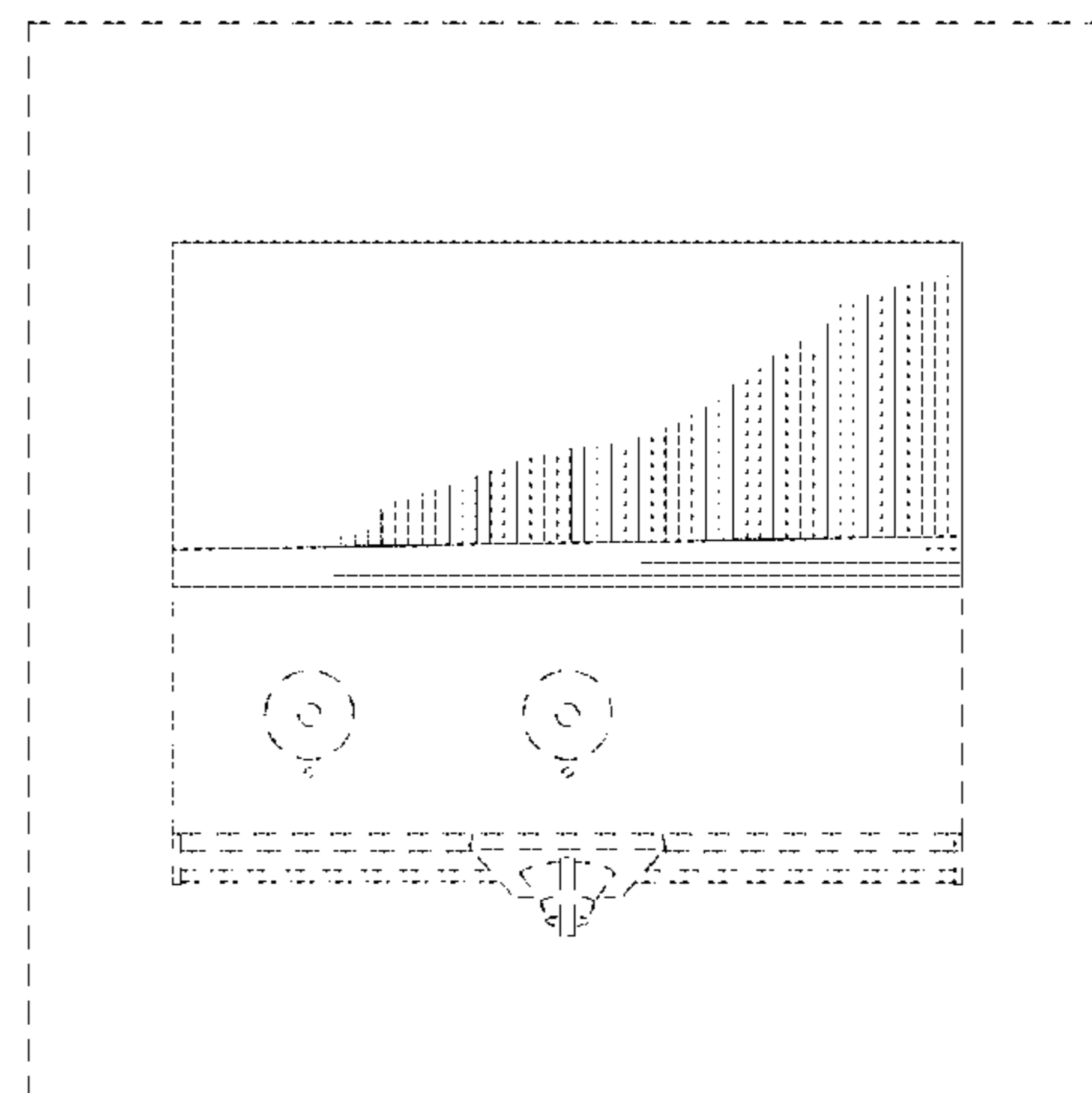
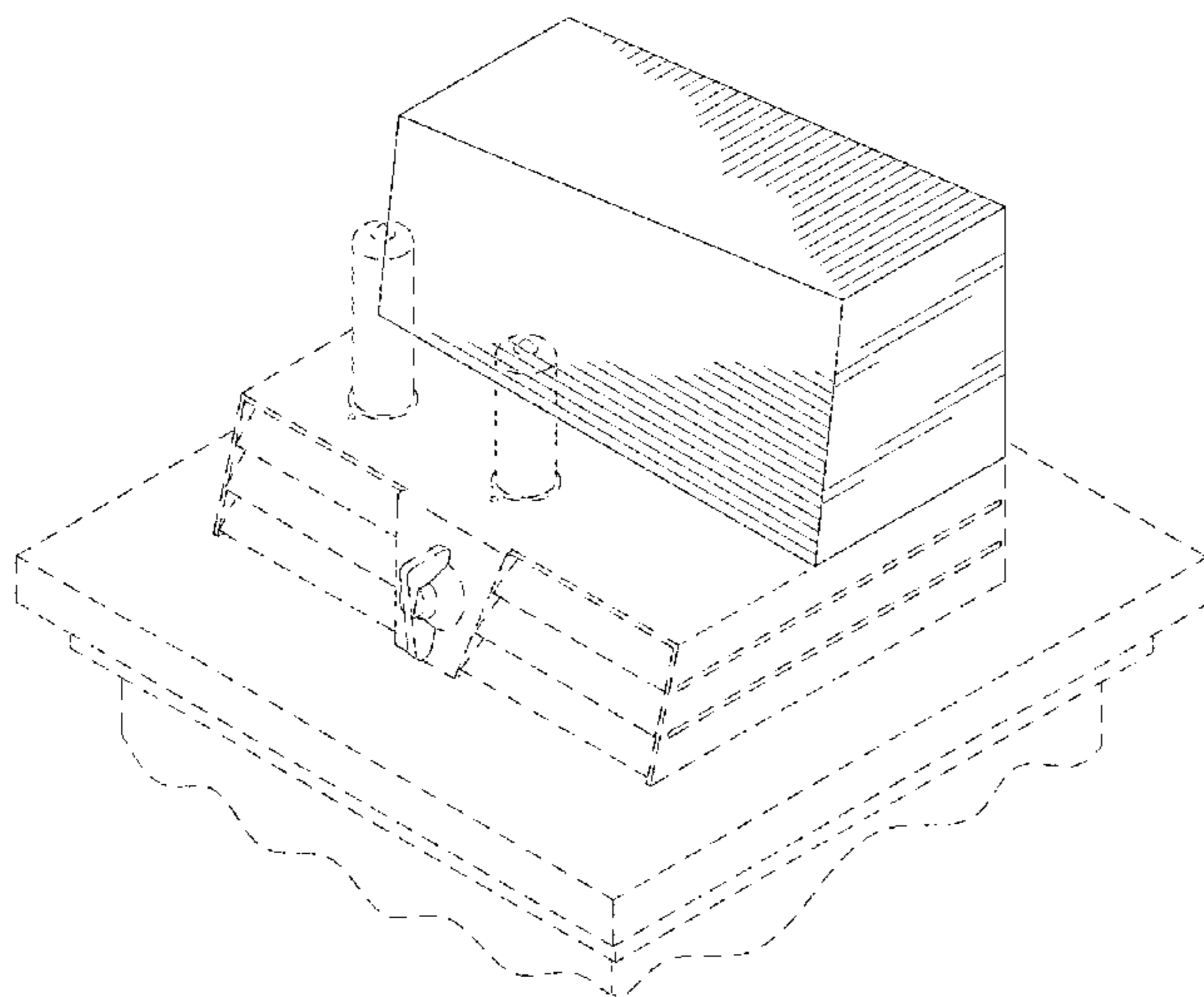
CPC . H02M 2001/0009; H02M 2001/0083; H02M
2001/009; H02M 1/10; H02M 3/02;
H02M 3/24; H02M 3/34; H02M 5/00;
H02M 5/02; H02M 5/40; H02M 5/42;
H02M 7/00; H02M 7/003; H02M 7/02;
H02M 7/04; H02M 7/42; H02M 7/44;
H02M 7/54; H02J 5/00; H05K 1/00;
H05K 1/0213; H05K 5/00; H05K 5/0004;
H05K 5/0008; H05K 5/0086; H05K
5/0247; H05K 5/03; H05K 5/04; H05K
7/00; H05K 7/20; H05K 7/20127; H05K
7/20136; H05K 7/20145; H05K 7/20154;
H05K 7/20172

DESCRIPTION

FIG. 1 is a top front perspective view of a transformer cover for amplifier, showing my new design; FIG. 2 is a front elevation view thereof; FIG. 3 is a rear elevation view thereof; FIG. 4 is a right side elevation view thereof; FIG. 5 is a left side elevation view thereof; FIG. 6 is a top plan view thereof; and, FIG. 7 is a bottom plan view thereof. The broken lines depict environmental subject matter that forms no part of the claimed design.

See application file for complete search history.

1 Claim, 4 Drawing Sheets



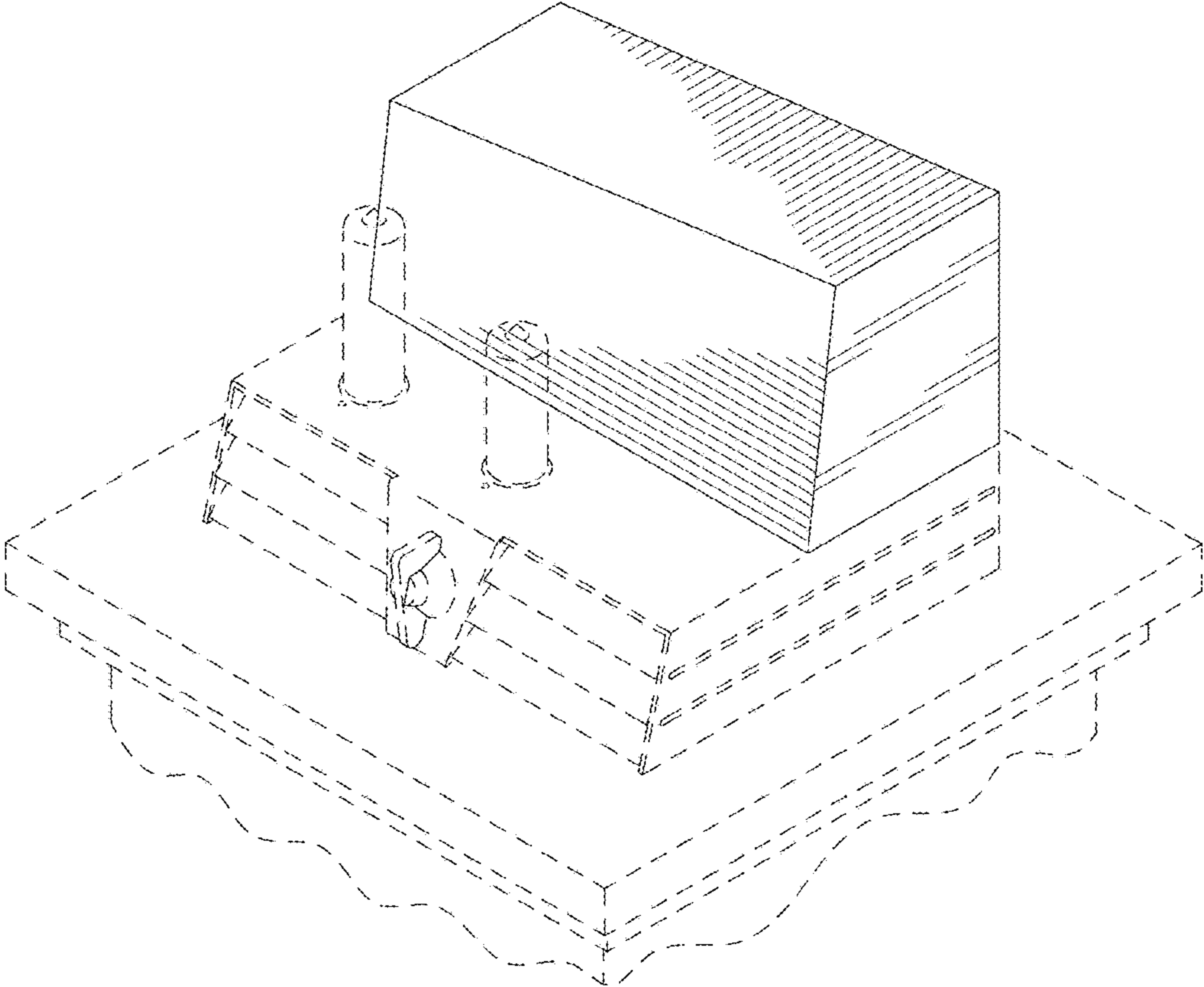


FIG. 1

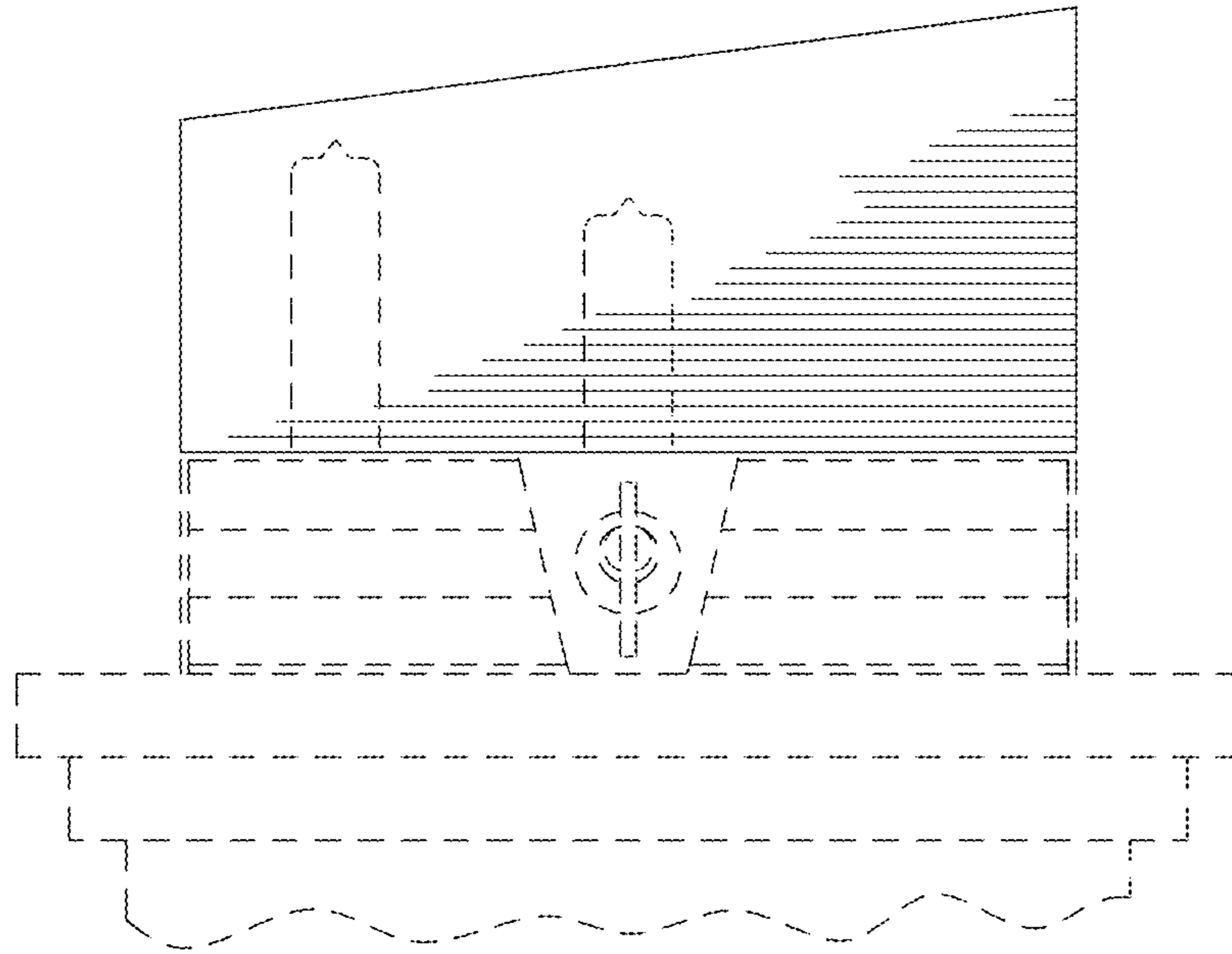


FIG. 2

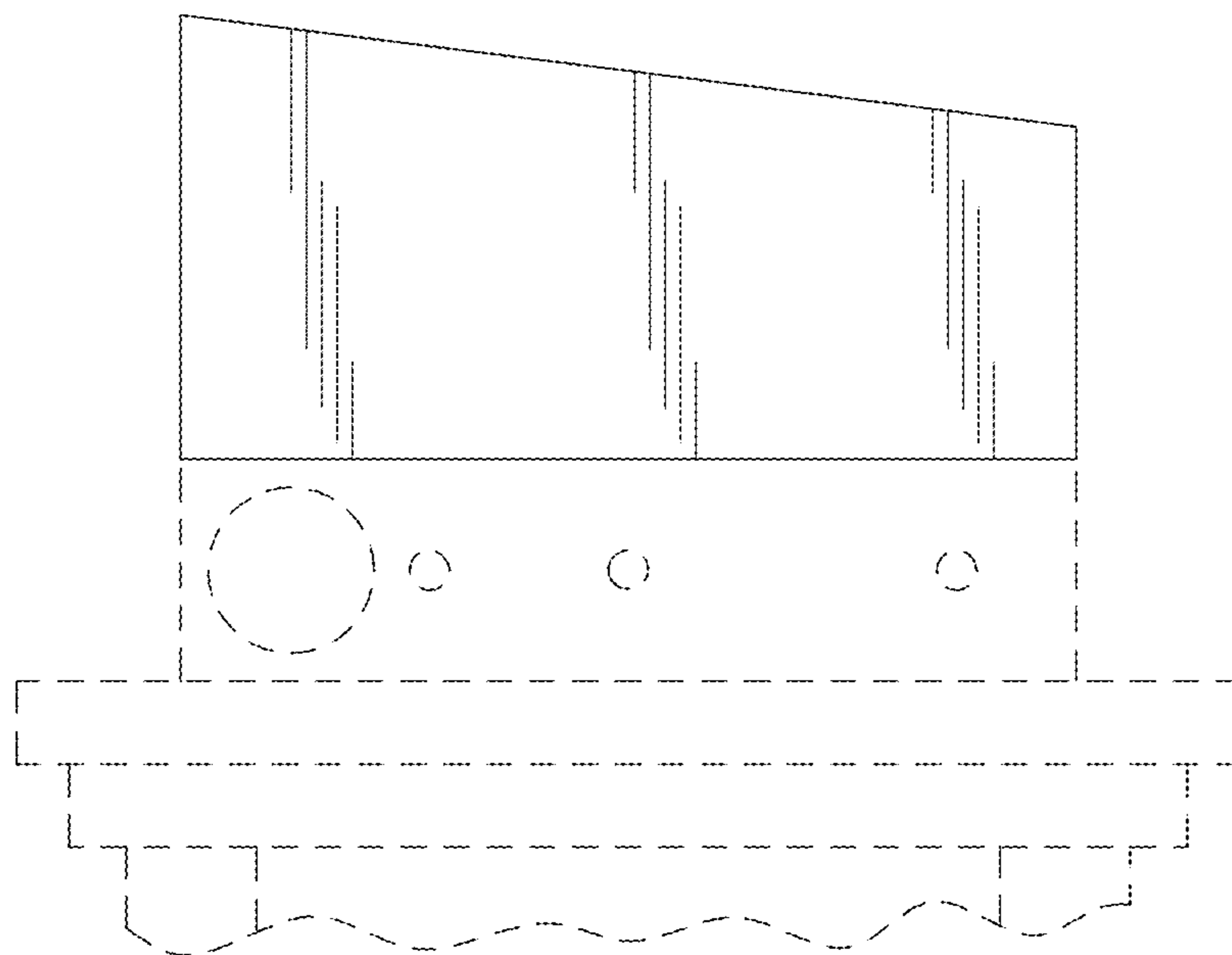


FIG. 3

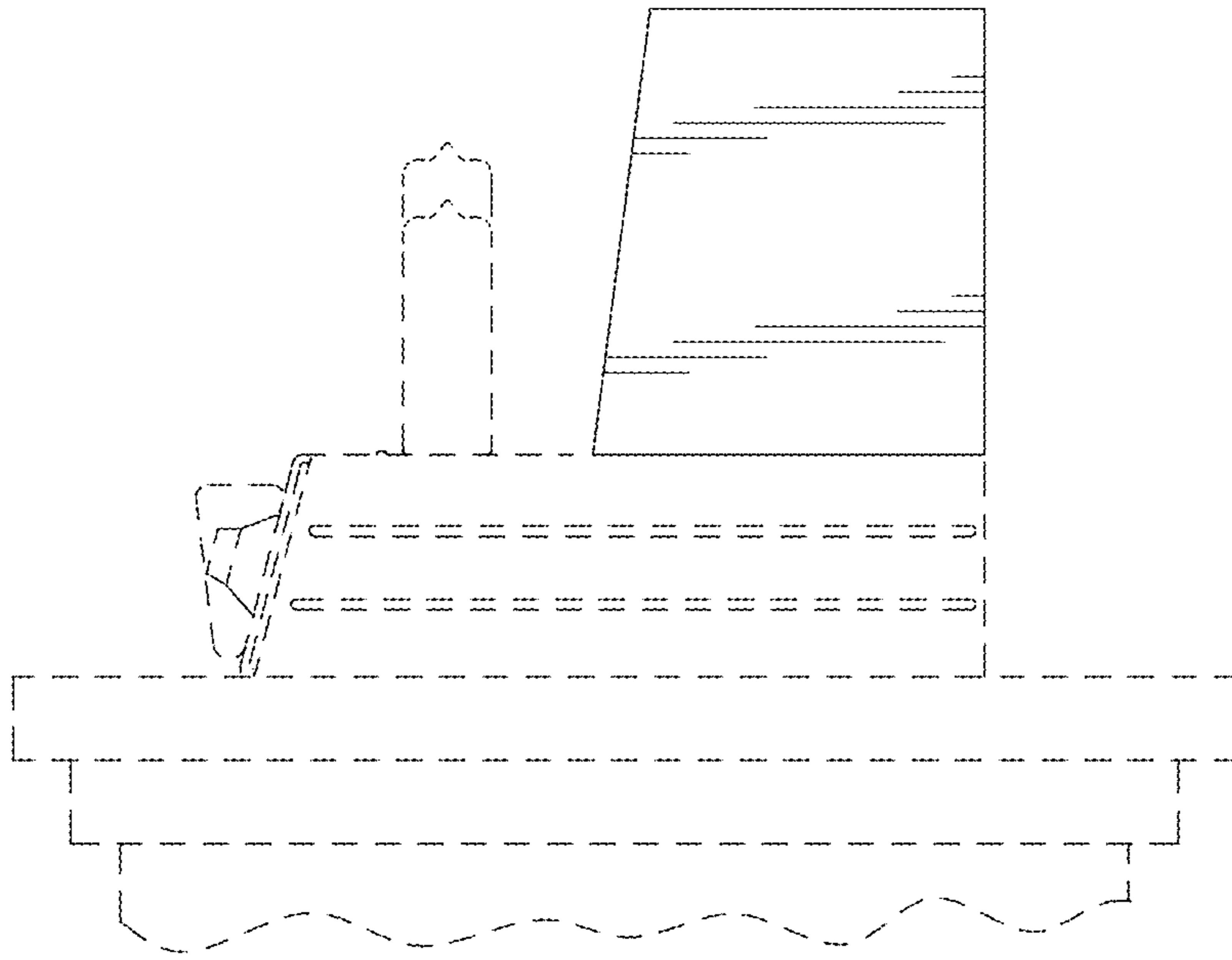


FIG. 4

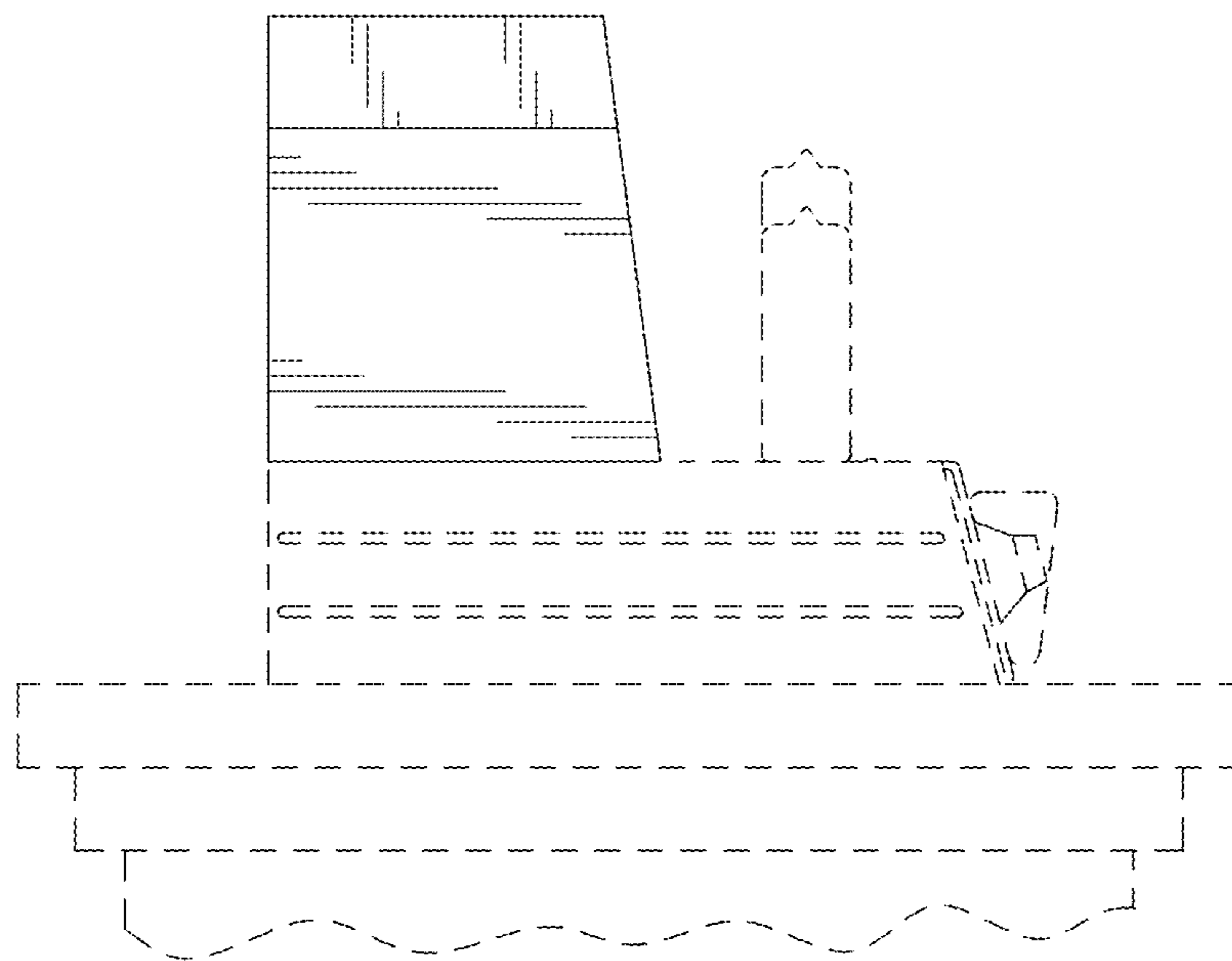


FIG. 5

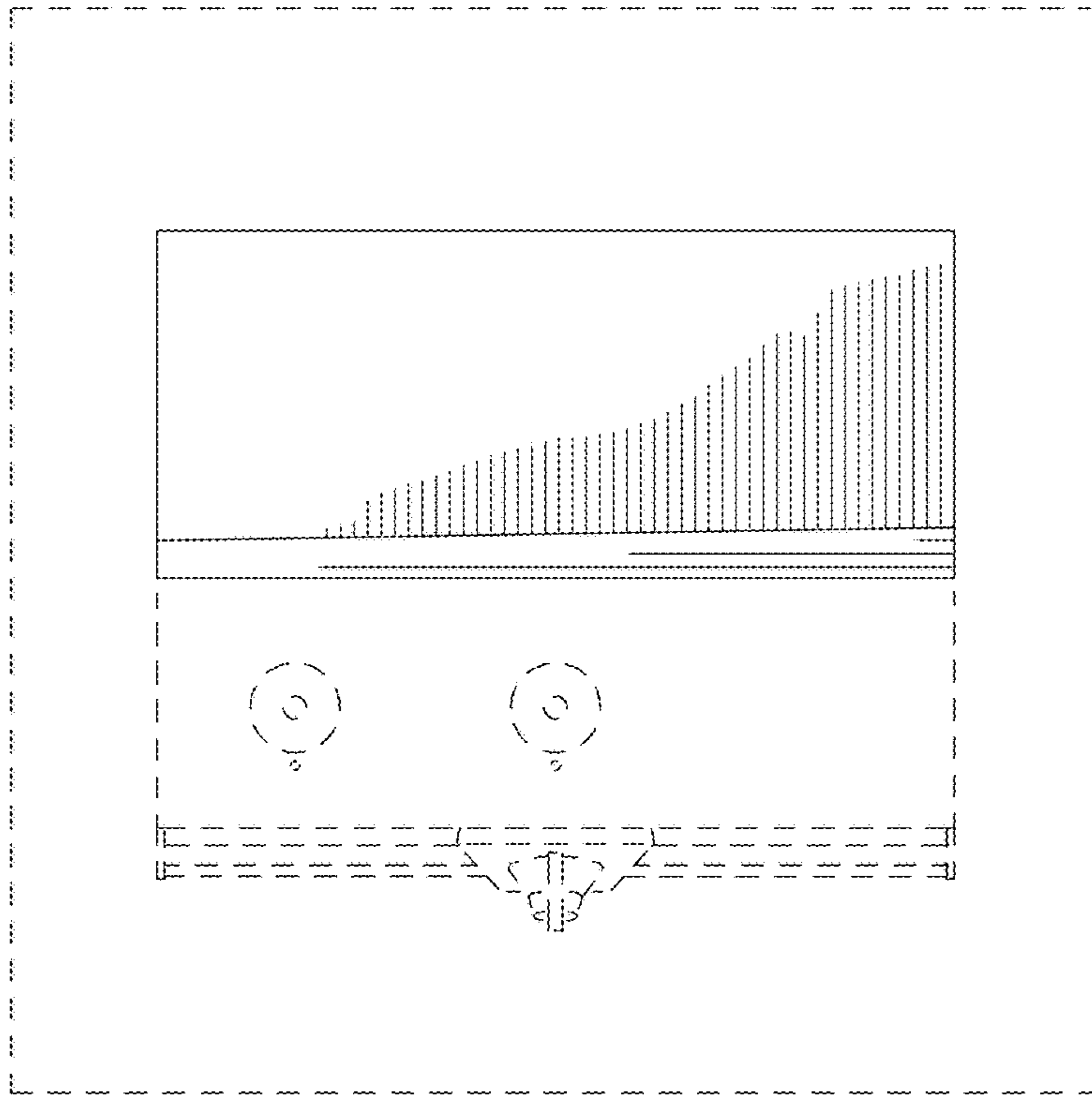


FIG. 6

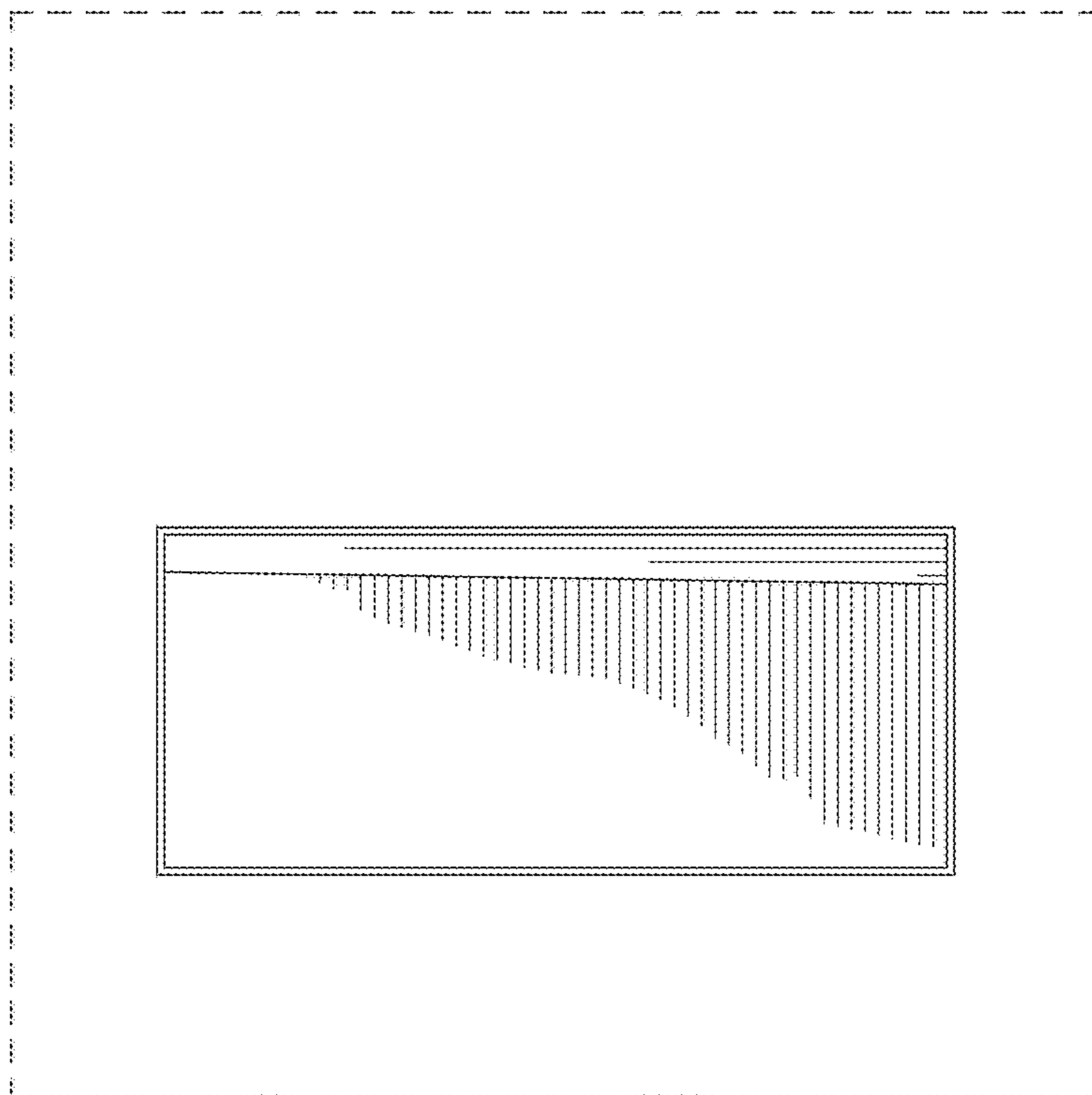


FIG. 7