



US00D819567S

(12) **United States Design Patent**  
**Garvey et al.**

(10) **Patent No.:** **US D819,567 S**  
(45) **Date of Patent:** **\*\* Jun. 5, 2018**

- (54) **GENERATOR HOUSING**
- (71) Applicant: **Illinois Tool Works Inc.**, Glenview, IL (US)
- (72) Inventors: **Paul William Garvey**, Freedom, WI (US); **David Edwin Radtke**, New London, WI (US)
- (73) Assignee: **ILLINOIS TOOL WORKS INC.**, Glenview, IL (US)

D596,120 S *	7/2009	Miyaji	.....	D13/122
D597,943 S *	8/2009	Lin	.....	D13/112
D603,795 S *	11/2009	Kono	.....	D13/118
D672,311 S *	12/2012	Labermeier	.....	D13/112
D675,649 S *	2/2013	Sands	.....	D12/114
D762,579 S *	8/2016	Wilkins	.....	D13/122

\* cited by examiner

*Primary Examiner* — Derrick Holland

*Assistant Examiner* — Jennifer O King

(74) *Attorney, Agent, or Firm* — McAndrews, Held & Malloy, Ltd.

(\*\*) Term: **14 Years**

(21) Appl. No.: **29/523,831**

(22) Filed: **Apr. 14, 2015**

(51) **LOC (11) Cl.** ..... **13-01**

(52) **U.S. Cl.**  
USPC ..... **D13/112; D13/122**

(58) **Field of Classification Search**  
USPC ..... D13/112, 101, 110, 113–118, 122, 123, D13/162, 184, 199; D15/3, 5, 199; 74/606 R, 609; 310/10, 40 MM, 40 R, 310/42, 51, 52, 58, 64, 71, 80, 83, 85, 88, 310/89, 91, 109, 236, 239, 254; 318/245, 318/255; 322/16, 29; 29/596–598  
CPC ..... F02B 63/04; H02K 3/24; H02K 3/47  
See application file for complete search history.

(56) **References Cited**

U.S. PATENT DOCUMENTS

D25,033 S *	12/1895	Jackson et al.	.....	D13/112
D198,375 S *	6/1964	Cunningham	.....	D13/112
D234,429 S *	3/1975	Hersherber	.....	D13/122
D236,898 S *	9/1975	Holther, Jr.	.....	D13/112
D239,562 S *	4/1976	Matousek	.....	D13/112
D306,009 S *	2/1990	Mintz	.....	D13/112
6,124,567 A	9/2000	Feldhausen et al.		
D502,917 S *	3/2005	Bird	.....	D13/112

(57) **CLAIM**

The ornamental design for a generator housing, as shown and described.

**DESCRIPTION**

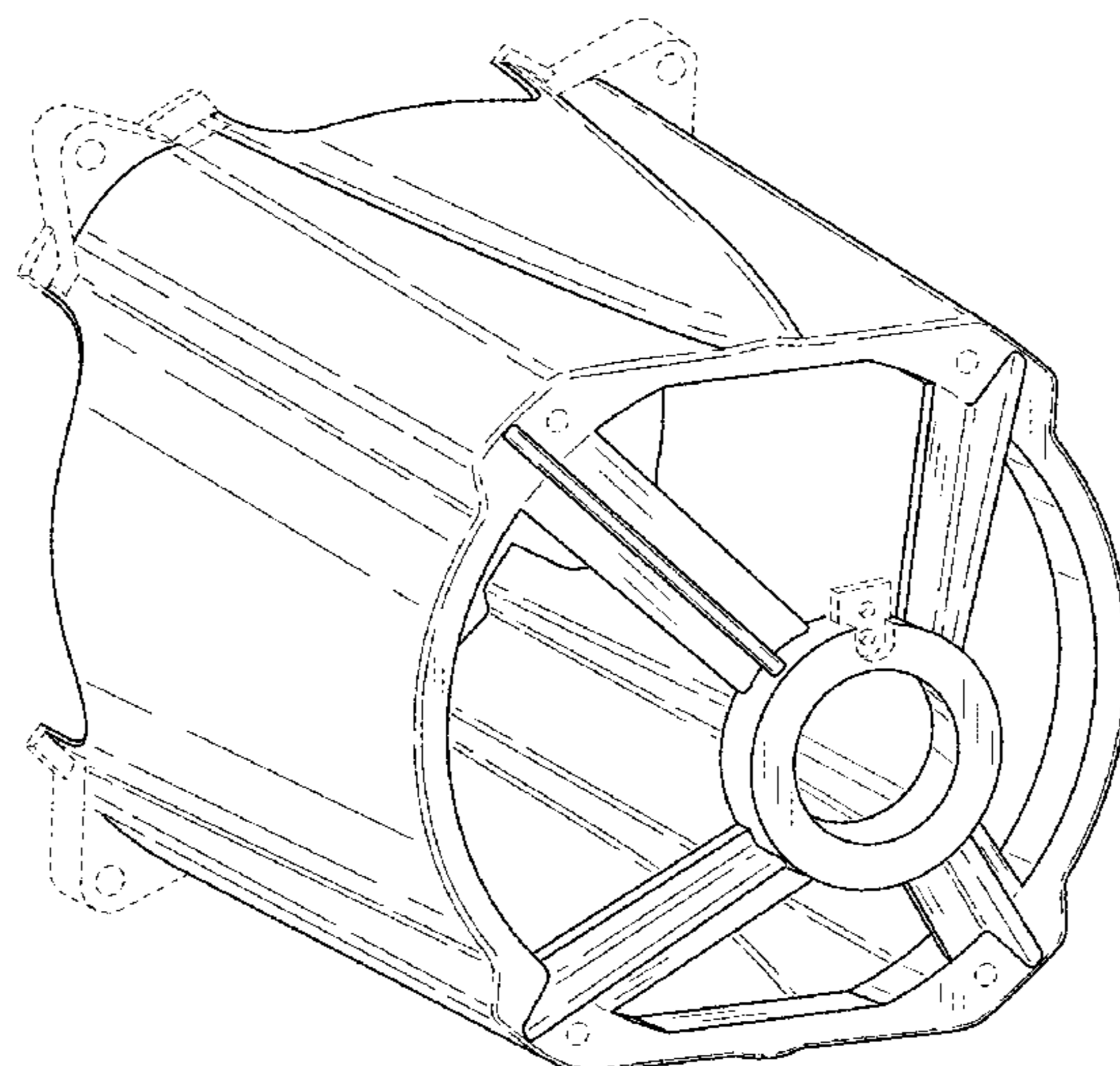
FIG. 1 is a top perspective view of a generator housing illustrating our new design;  
FIG. 2 is a bottom perspective view thereof;  
FIG. 3 is a top view thereof;  
FIG. 4 is a bottom view thereof;  
FIG. 5 is a side view thereof, the opposite side view being a mirror image thereof;  
FIG. 6 is another side view thereof;  
FIG. 7 is another side view thereof; and,  
FIG. 8 is a cross section view thereof, taken along line 8-8 as shown in FIG. 3.

The dashed broken lines in the drawings illustrate portions of the generator housing that form no part of the claimed design.

The dot-dash broken lines in the drawings define the boundaries of the claimed design and form no part thereof.

The ornamental design is not limited in the scale or dimension as shown herein. Applicant specifically disclaims any broken lines as features of the claimed invention or embodiment as appropriate.

**1 Claim, 5 Drawing Sheets**



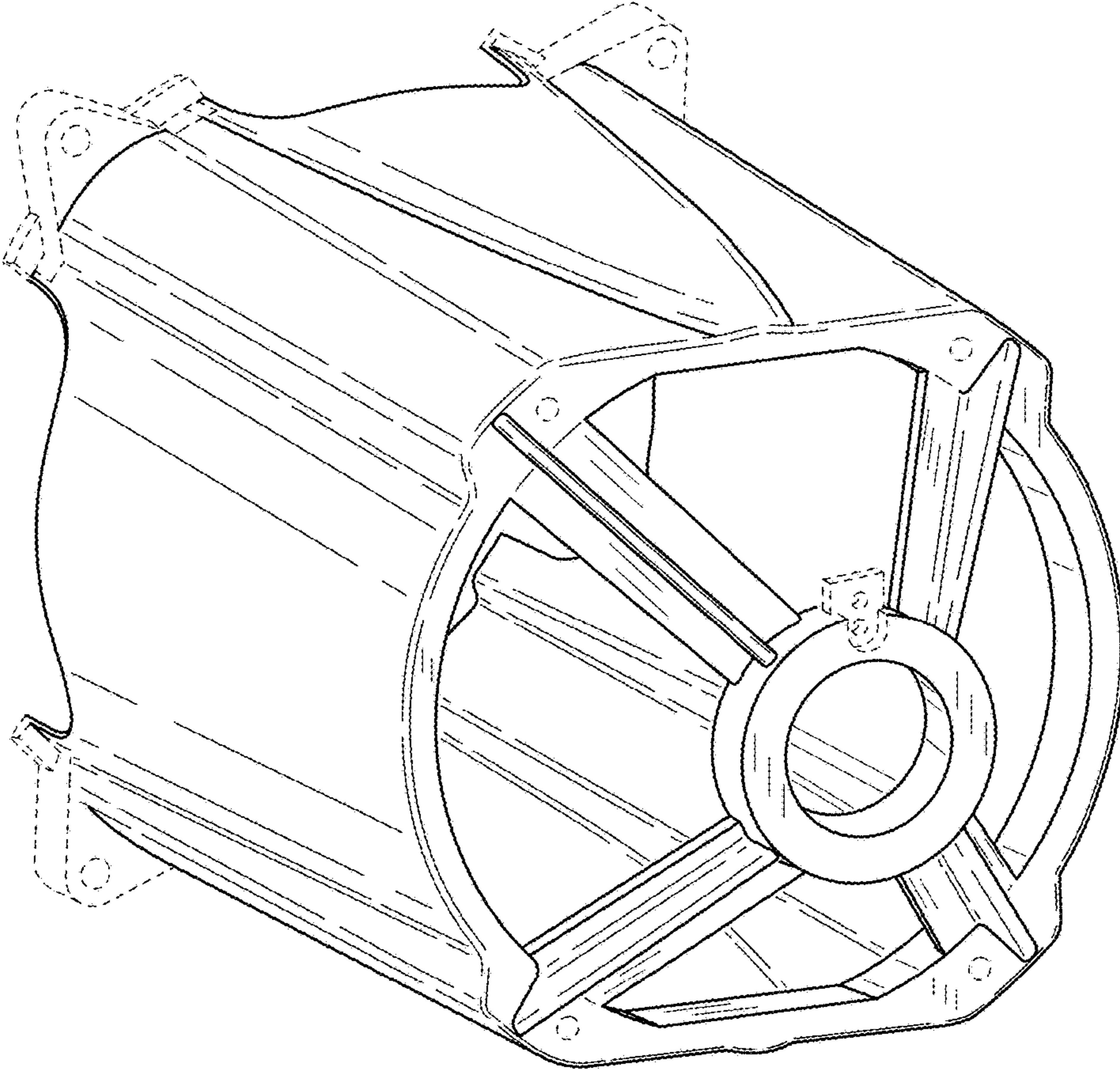


FIG. 1

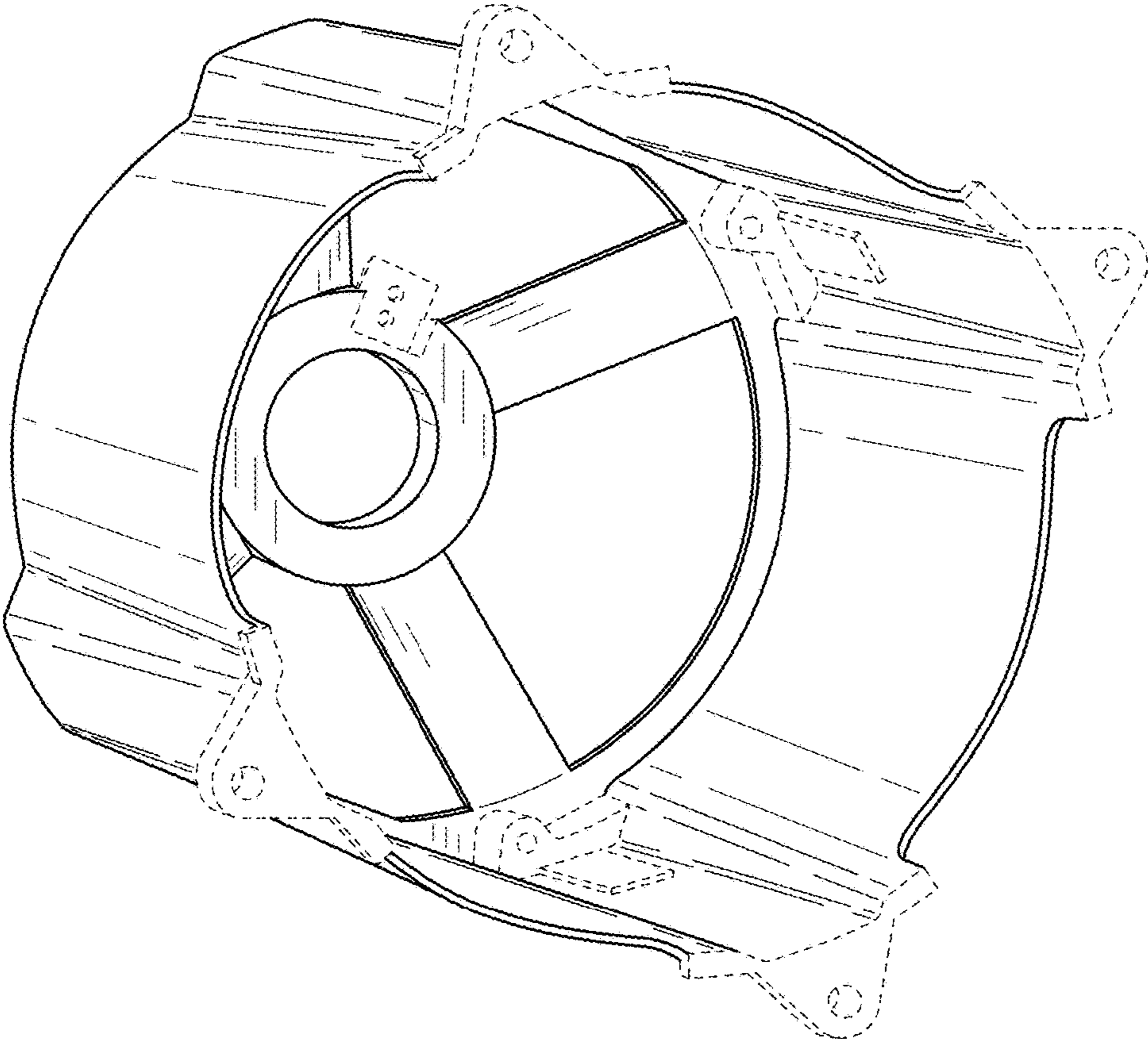


FIG. 2

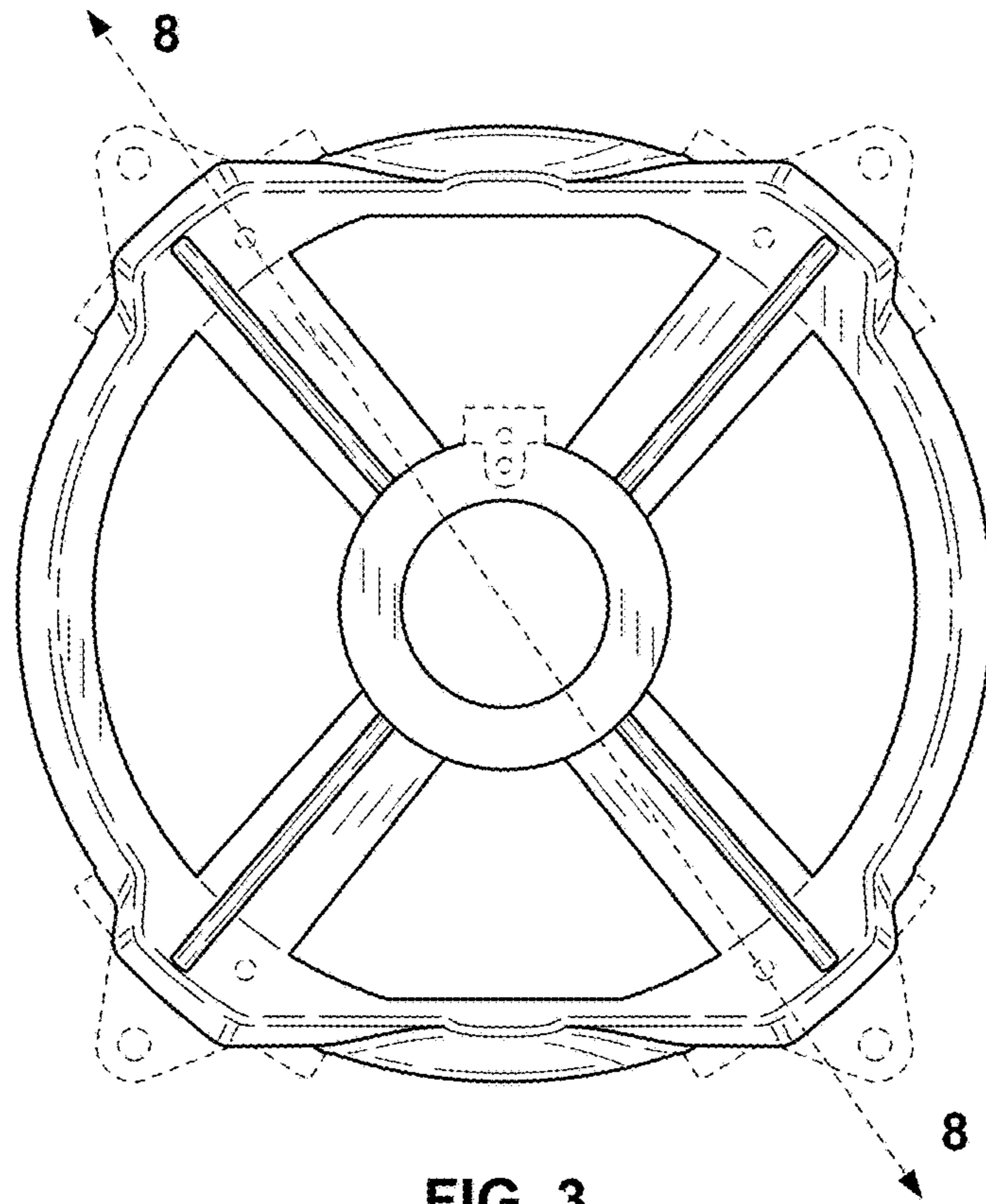


FIG. 3

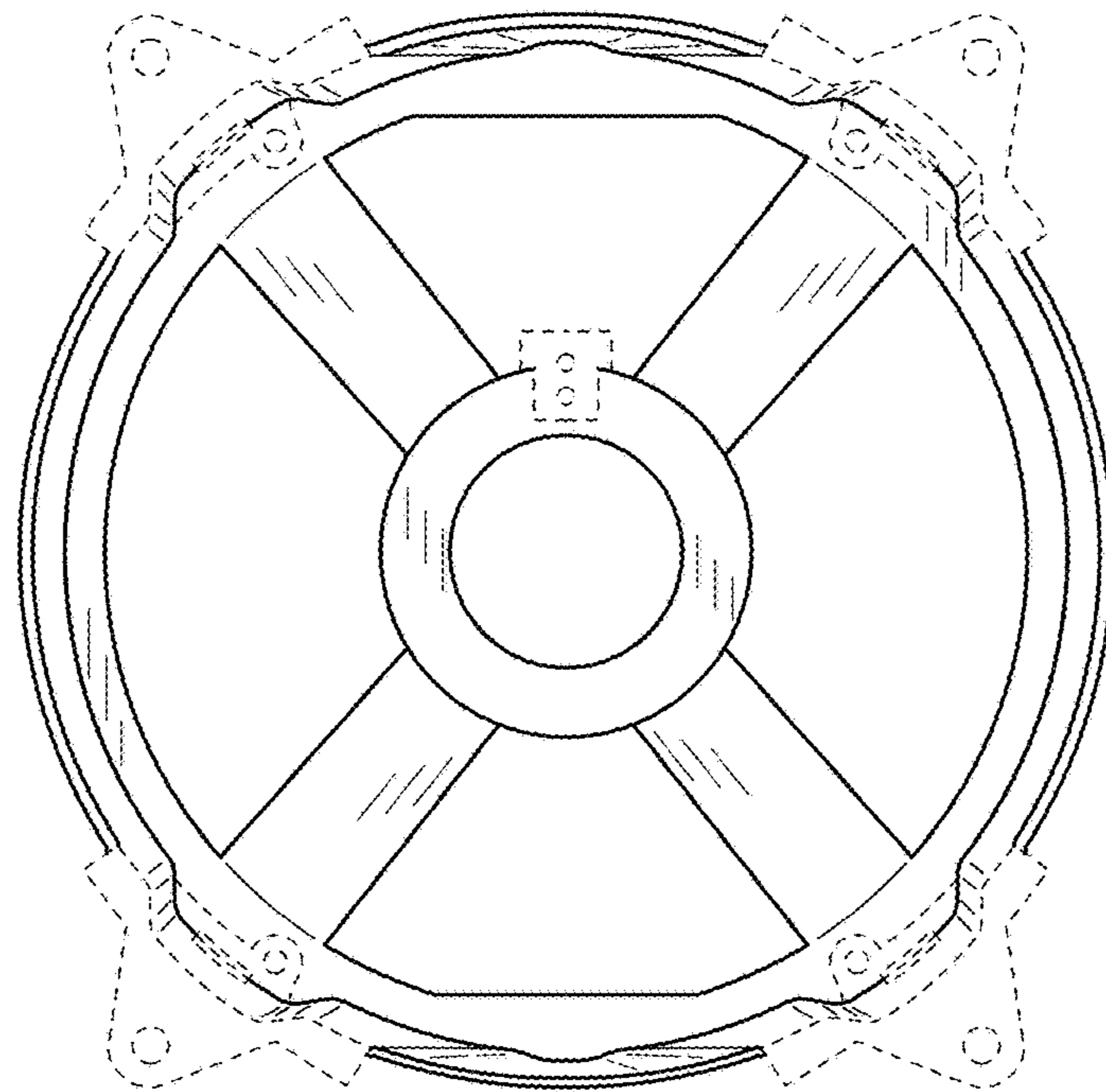


FIG. 4

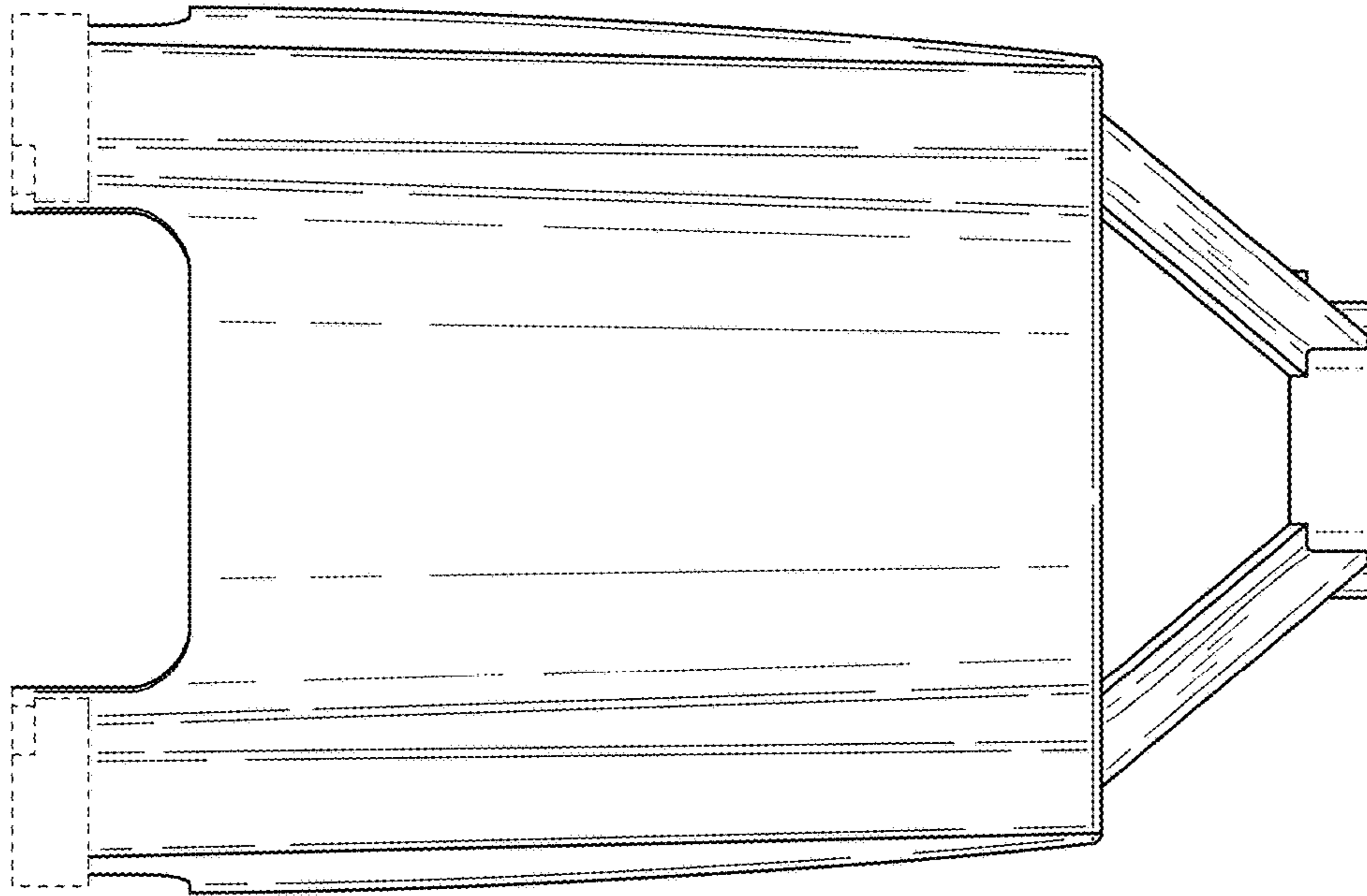


FIG. 5

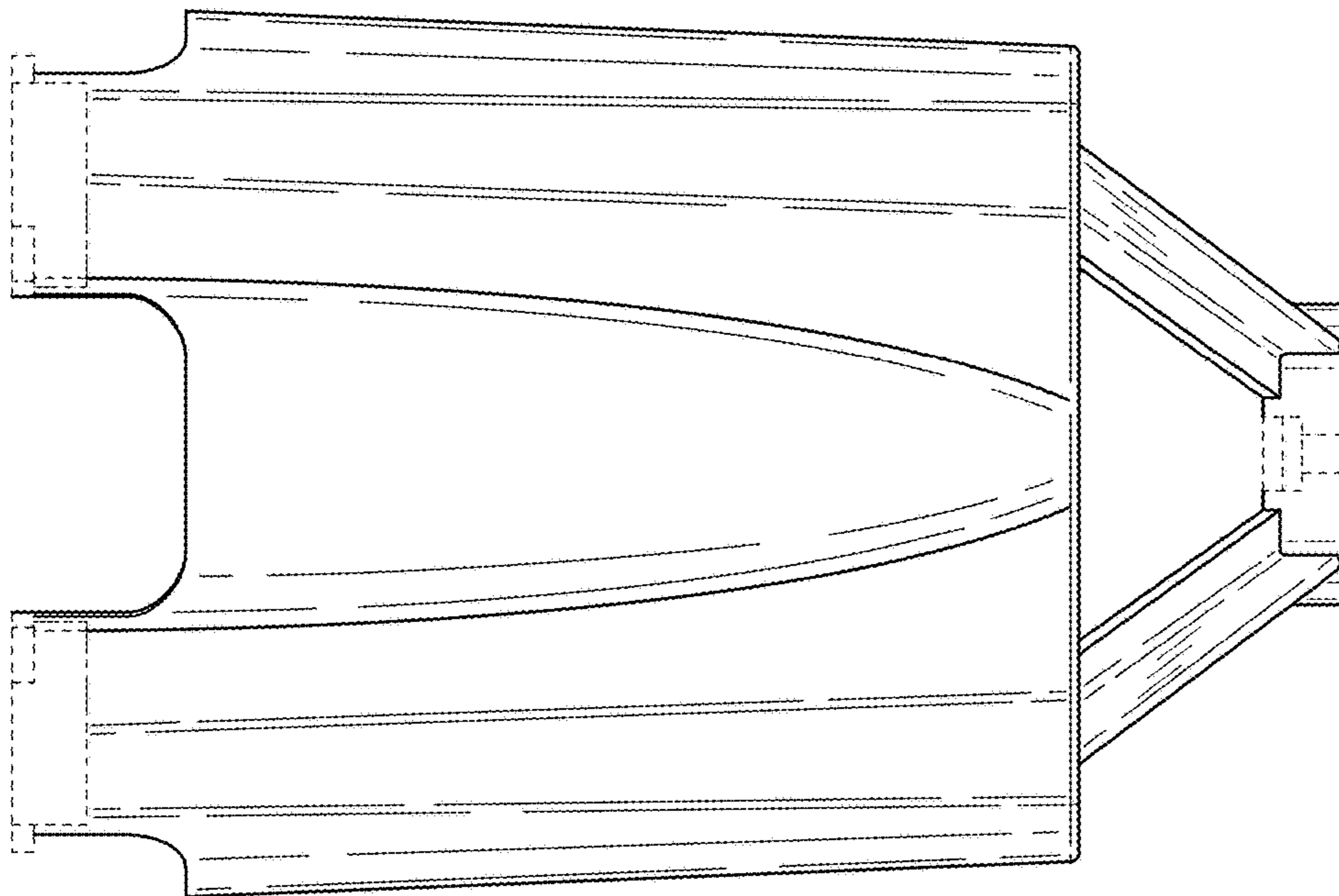


FIG. 6

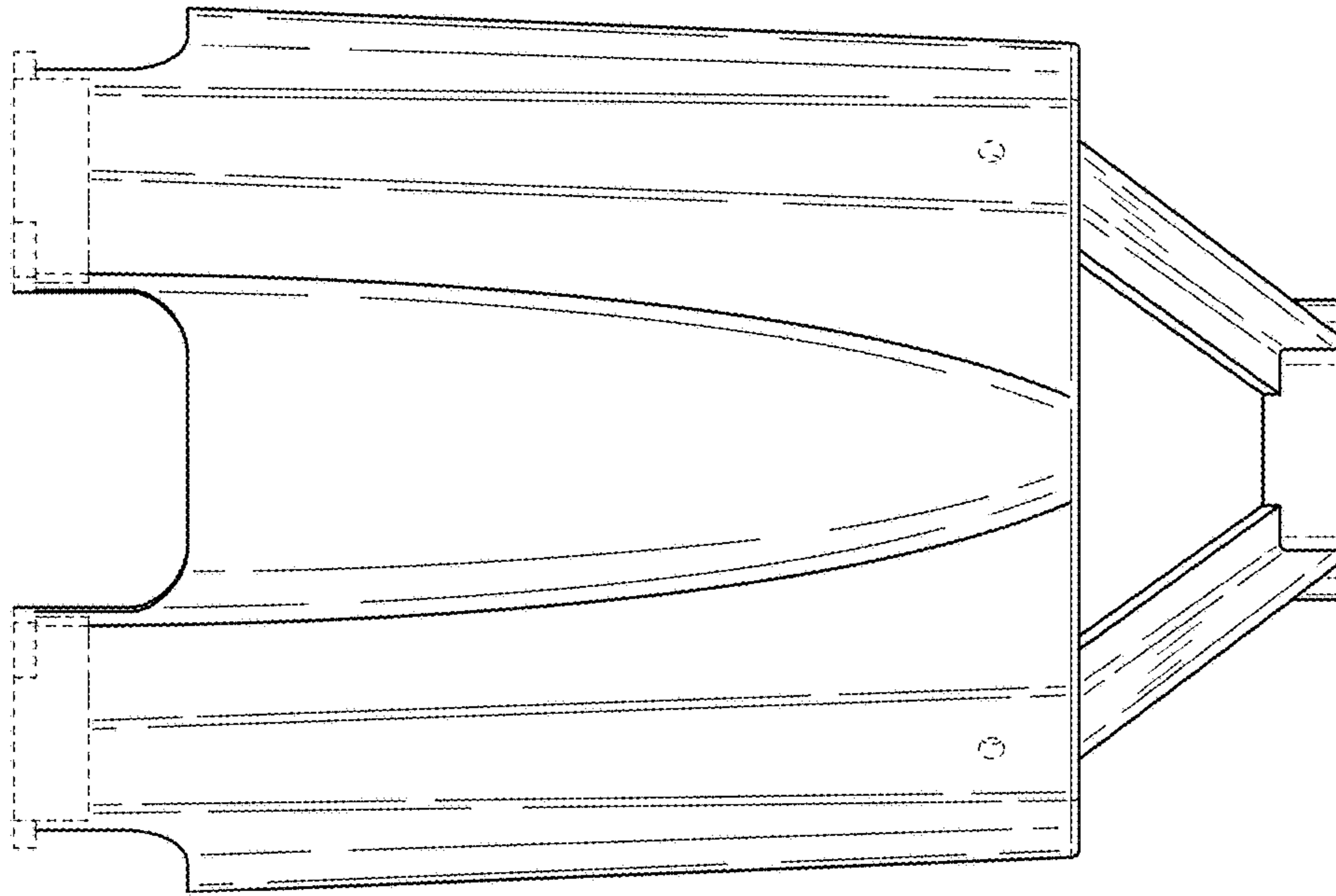


FIG. 7

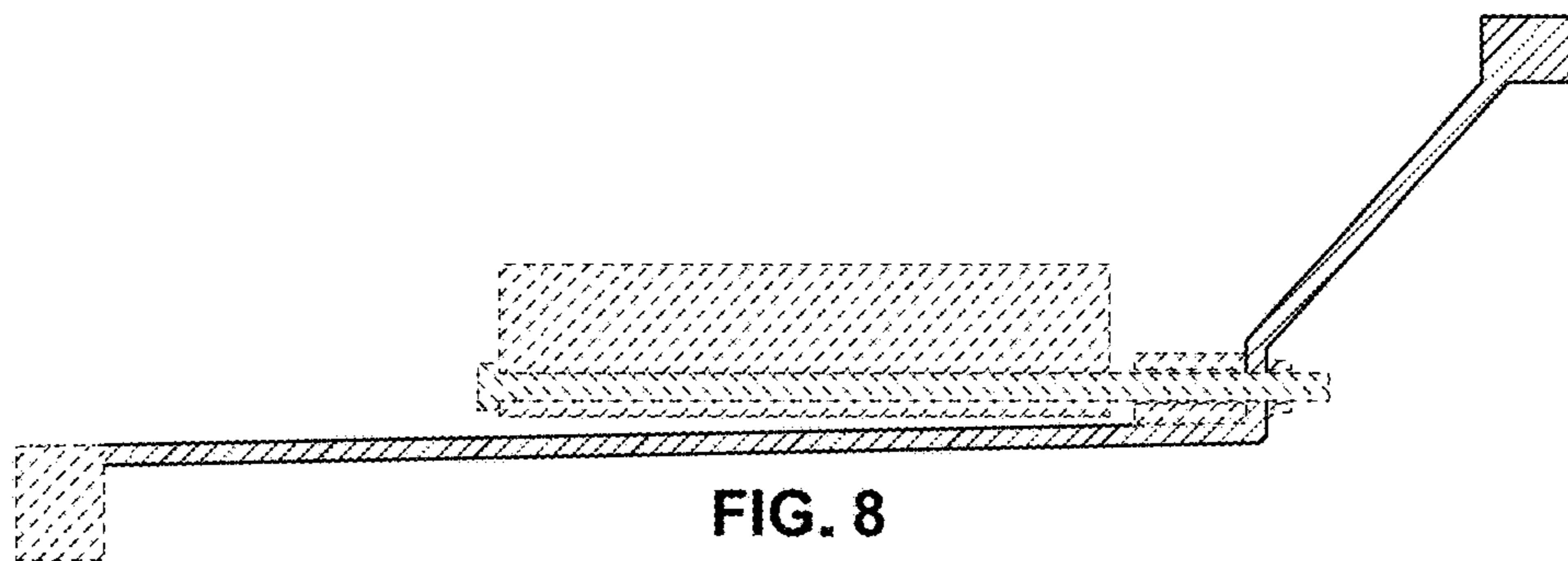
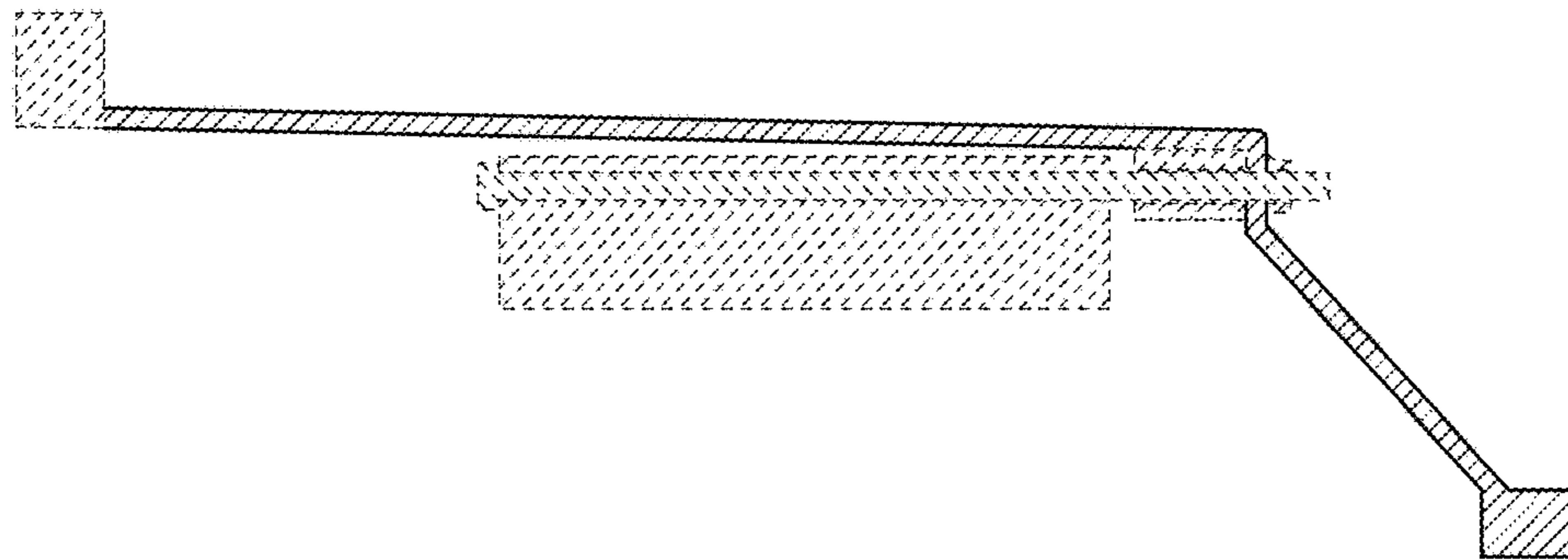


FIG. 8