



US00D819565S

(12) **United States Design Patent** (10) **Patent No.:** **US D819,565 S**
Baacke et al. (45) **Date of Patent:** **** Jun. 5, 2018**

(54) **FREQUENCY CONVERTER**

(71) Applicant: **SEW-EURODRIVE GmbH & Co. KG**, Bruchsal (DE)
(72) Inventors: **Bettina Baacke**, Karlsruhe (DE); **Martina Findik**, Karlsruhe (DE); **Jürgen Goos**, Speyer (DE); **Dirk Momann**, Bruchsal (DE); **Jürgen Ott**, Dettenheim (DE); **Thomas Hannich**, Bruchsal (DE); **Markus Zieger**, Forst (DE); **Harald Meyer**, Niefern-Öschelbronn (DE); **Hans Krattenmacher**, Bretten (DE)

(73) Assignee: **SEW-EURODRIVE GmbH & Co KG**, Bruchsal (DE)

(**) Term: **15 Years**

(21) Appl. No.: **29/565,488**

(22) Filed: **May 20, 2016**

(30) **Foreign Application Priority Data**

Jan. 14, 2016 (DE) 40 2015 001 928

(51) **LOC (11) Cl.** **13-02**

(52) **U.S. Cl.**
USPC **D13/110**

(58) **Field of Classification Search**
USPC D13/101, 102, 107, 108, 110, 112, 118, D13/119, 123, 133, 138.1, 162, 184, 199
CPC H02P 27/04; H02P 27/06; H02P 27/047; H02P 2201/09; H02P 2201/11; H02M 2001/0067; H02M 2001/007; H02M 2001/0045; H02M 2001/0083; H02M 2001/009; H02M 7/003; H02M 7/06; H02M 7/00; G06F 1/00; G06F 1/188; G06F 1/189; G06F 1/26; G06F 11/2015; H01R 13/66; H01R 13/60; H01R 13/72; H01R 13/6675; H01R 31/065; H05K 5/0021; H05K 5/0208; H05K 5/0247; H05K 5/00

See application file for complete search history.

(56) **References Cited**

U.S. PATENT DOCUMENTS

5,790,372 A * 8/1998 Dewey G06F 1/189 312/223.2
D429,213 S * 8/2000 Colver D13/110
7,414,860 B1 * 8/2008 Chen H05K 5/0208 361/759
D586,744 S * 2/2009 Jaskari D13/110
(Continued)

OTHER PUBLICATIONS

U.S. Appl. No. 29/565,491; Frequency Converter; Bettina Seacke et al; filed May 20, 2016.

(Continued)

Primary Examiner — Rosemary K Tarcza

Assistant Examiner — Christy M Nemeth

(74) *Attorney, Agent, or Firm* — Finnegan, Henderson, Farabow, Garrett & Dunner, LLP

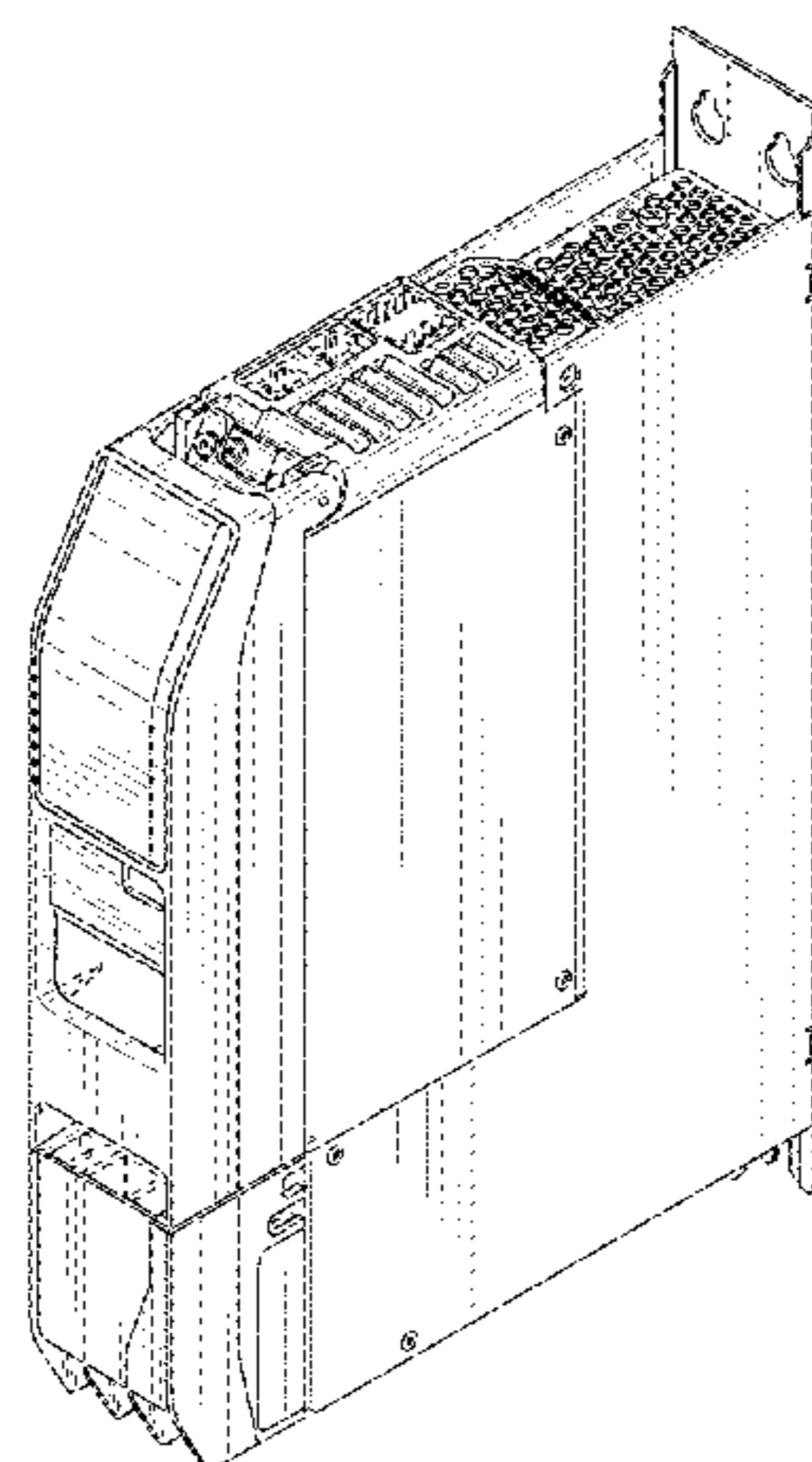
(57) **CLAIM**

The ornamental design for a frequency converter, as shown and described.

DESCRIPTION

FIG. 1 is a top, front, right perspective view of a frequency converter, showing our new design;
FIG. 2 is a front elevation view thereof;
FIG. 3 is a rear elevation view thereof;
FIG. 4 is a left side elevation view thereof;
FIG. 5 is a right side elevation view thereof;
FIG. 6 is a top plan view thereof; and,
FIG. 7 is a bottom plan view thereof.
The broken lines of even length shown in the drawings illustrate portions of the frequency converter that form no part of the claimed design.

1 Claim, 7 Drawing Sheets



(56)

References Cited

U.S. PATENT DOCUMENTS

D654,022 S * 2/2012 Sun D13/110
D673,910 S * 1/2013 Lostun D13/110
D685,733 S * 7/2013 Savolainen D13/110
D700,574 S * 3/2014 Savolainen D13/110
8,693,170 B2 * 4/2014 Barreau H02M 7/003
248/674
D708,135 S * 7/2014 Hakala D13/110
D713,337 S * 9/2014 Hakala D13/110
9,048,776 B2 * 6/2015 Tio H02P 6/14
D742,313 S * 11/2015 Gao D13/110
D770,975 S * 11/2016 Nada D13/110
D772,159 S * 11/2016 Takano D13/110
2001/0019495 A1 * 9/2001 Miettinen H02M 7/003
363/157

OTHER PUBLICATIONS

U.S. Appl. No. 29/565,484; Frequency Converter; Bettina Baacke et al; filed May 20, 2016.

* cited by examiner

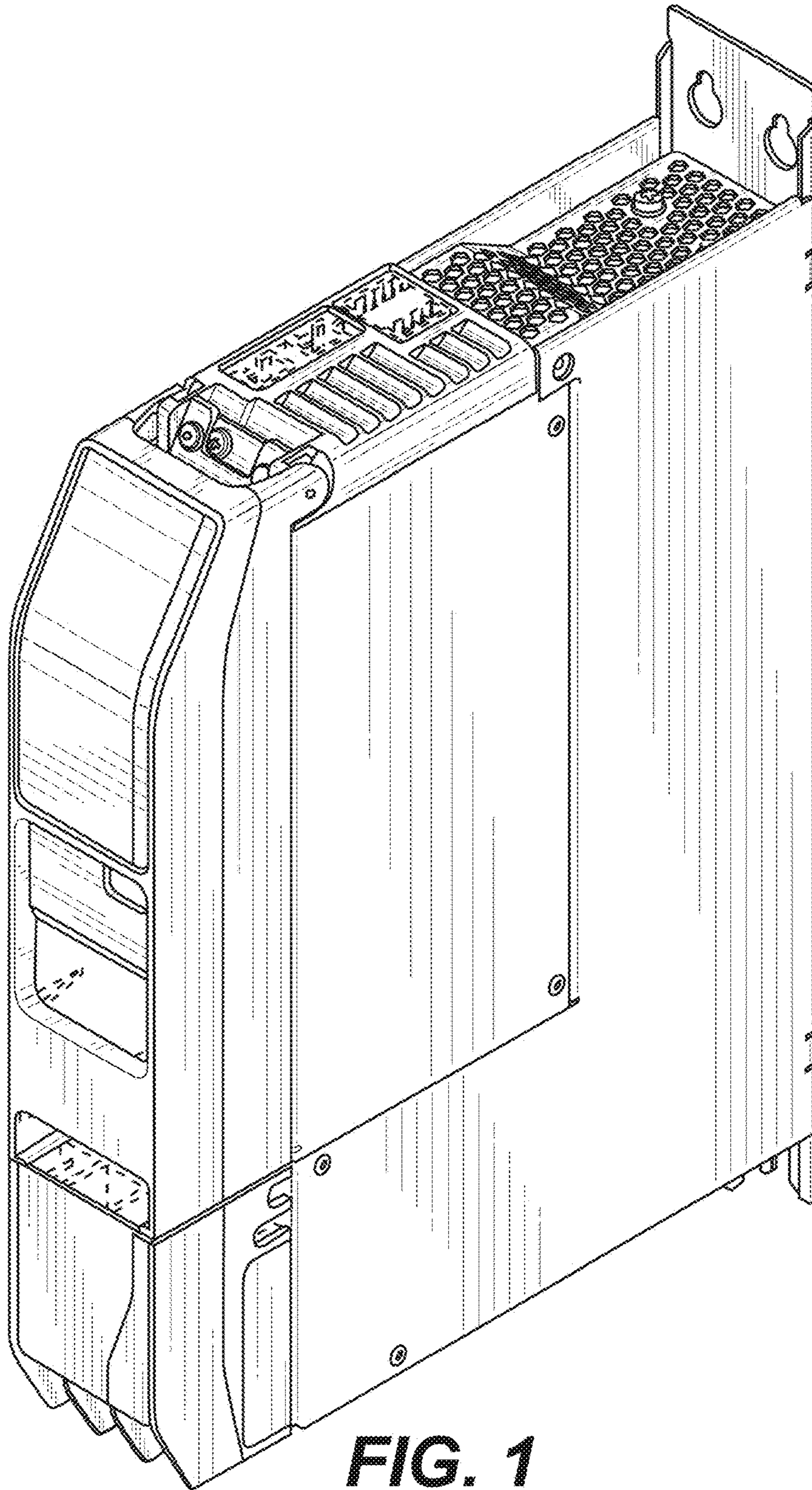


FIG. 1

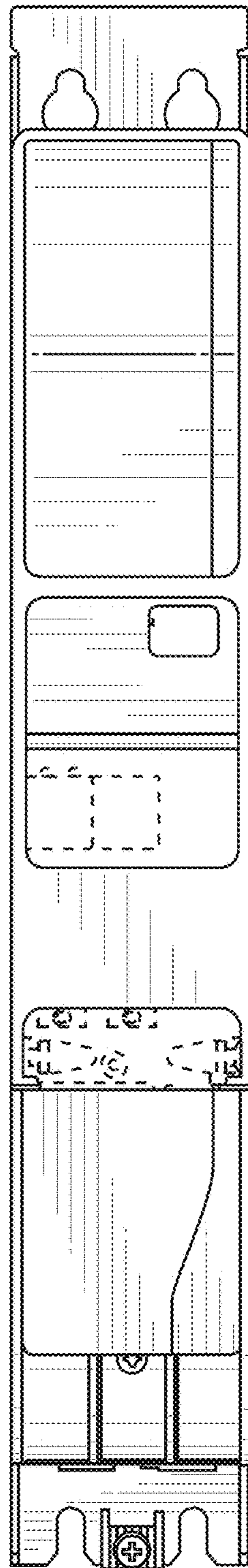


FIG. 2

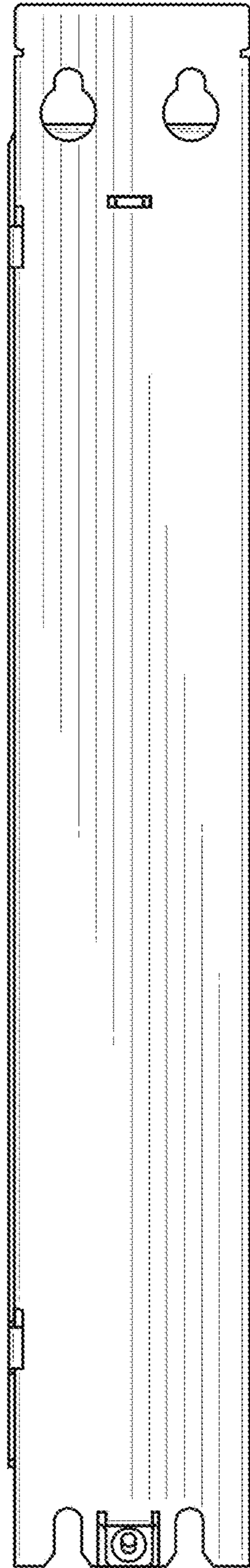


FIG. 3

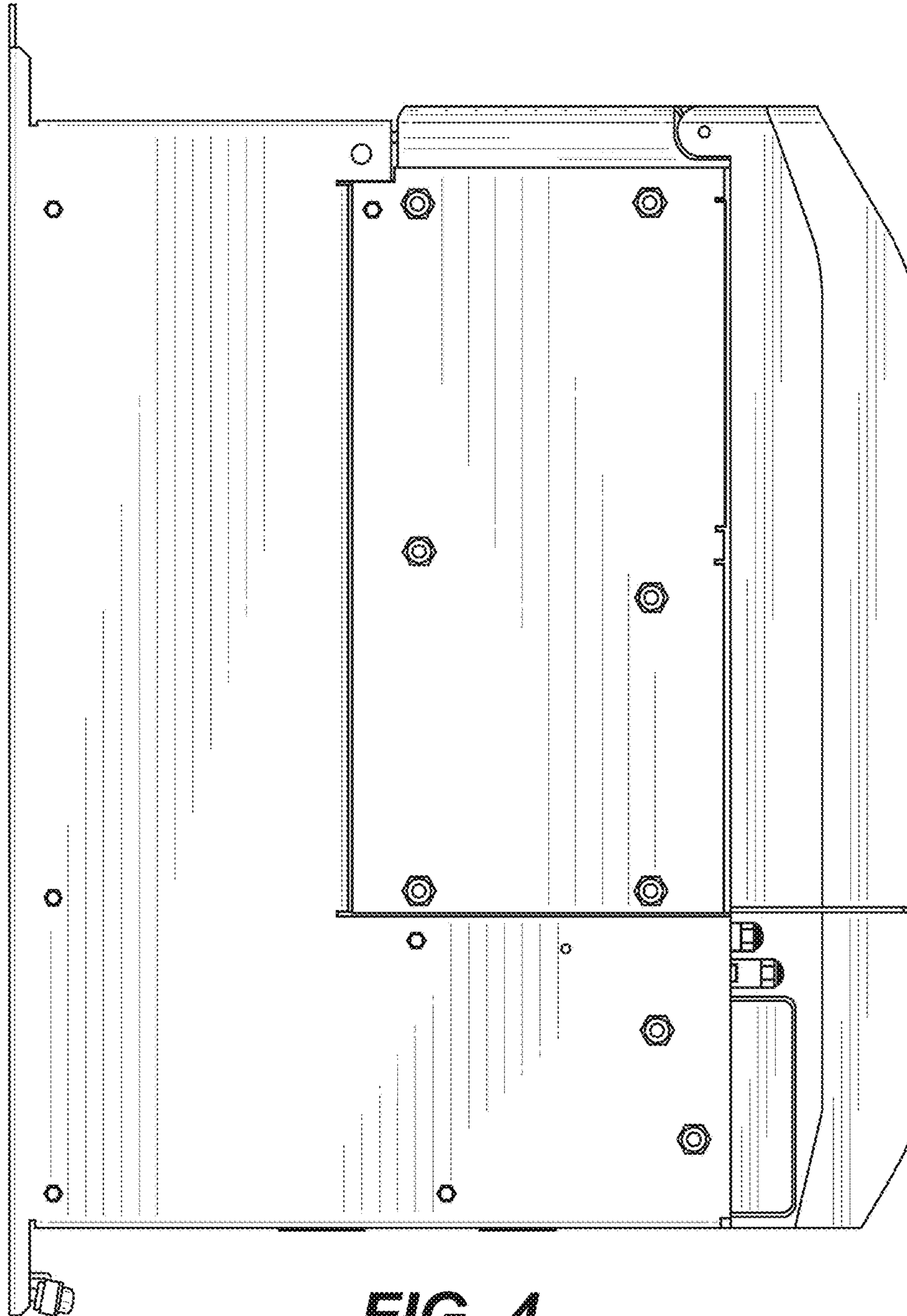


FIG. 4

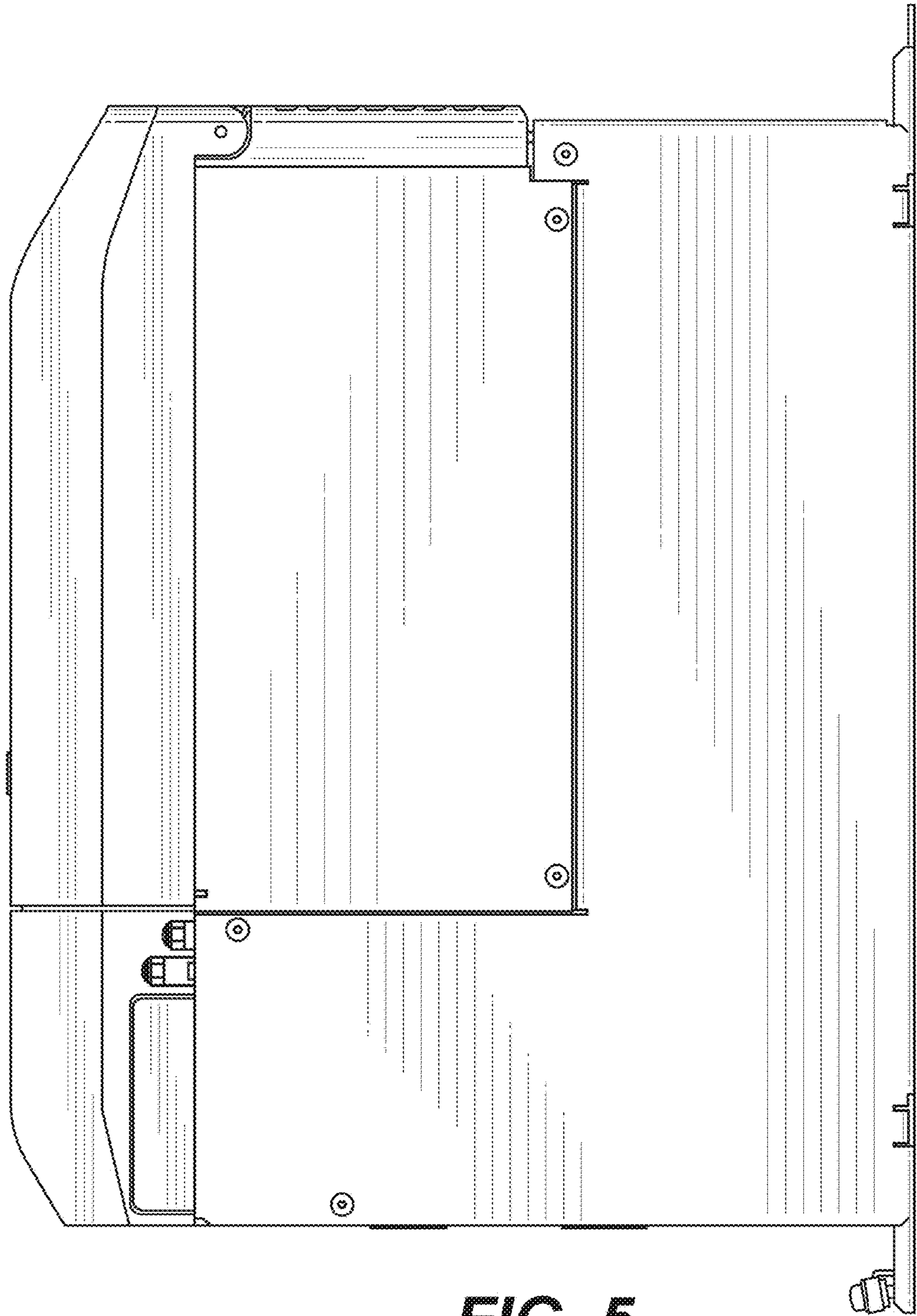


FIG. 5

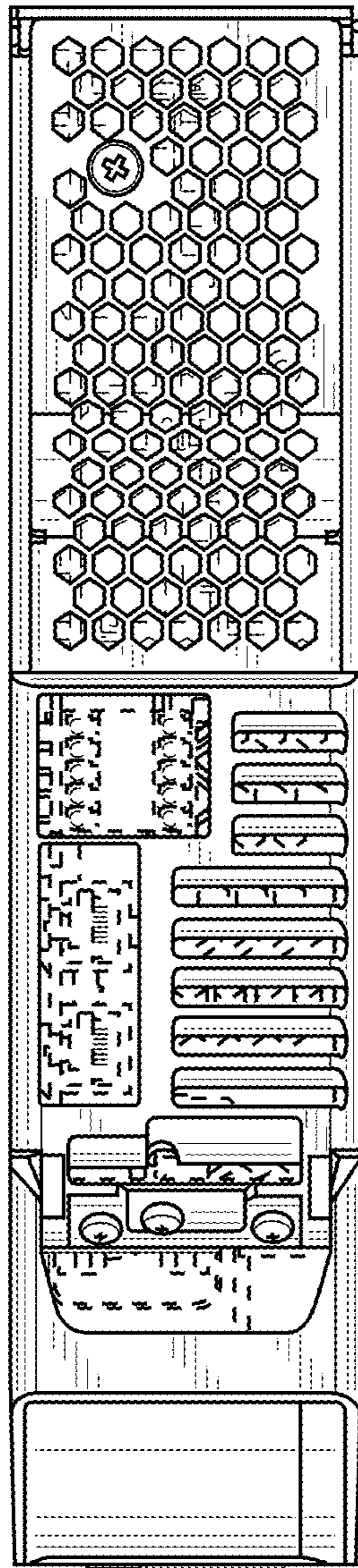


FIG. 6

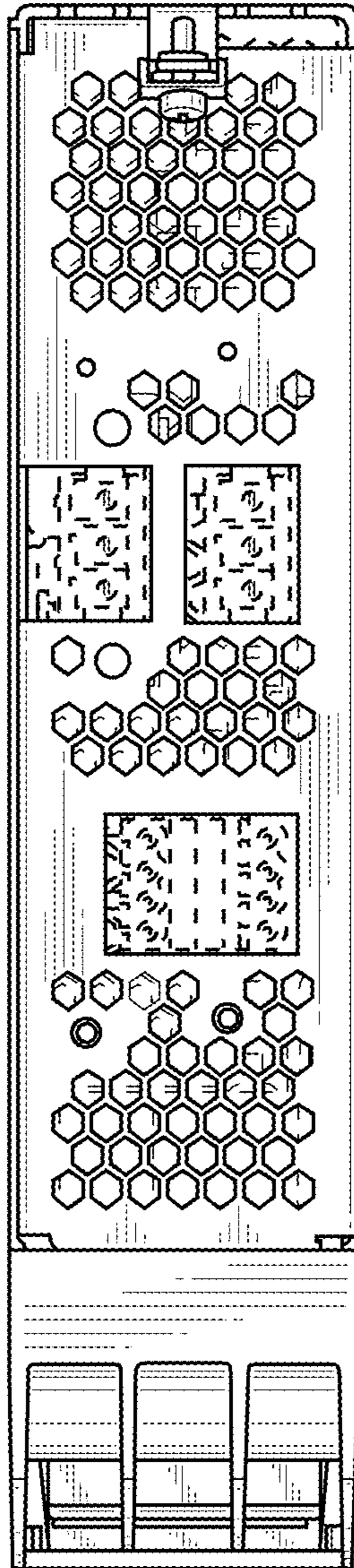


FIG. 7