

US00D819564S

(12) **United States Design Patent**
Kim et al.

(10) **Patent No.:** **US D819,564 S**

(45) **Date of Patent:** **** Jun. 5, 2018**

(54) **CHARGING CASE FOR AERIAL VEHICLE**

60/50; Y02T 90/14; Y02T 90/122; Y02T 90/128; Y02T 90/163; H05K 11/02

(71) Applicant: **SZ DJI Technology Co., Ltd.**,
Shenzhen (CN)

See application file for complete search history.

(72) Inventors: **Siyoon Kim**, Shenzhen (CN); **Min Kim**, Shenzhen (CN); **Xiaokai Guo**,
Shenzhen (CN)

(56) **References Cited**

U.S. PATENT DOCUMENTS

(73) Assignee: **SZ DJI Technology Co., Ltd.**,
Shenzhen (CN)

D654,008 S * 2/2012 Stevens D12/345
D690,255 S * 9/2013 Schutterra D12/345
D773,992 S * 12/2016 Krantz D13/110

(Continued)

(**) Term: **15 Years**

OTHER PUBLICATIONS

(21) Appl. No.: **29/600,613**

YouTube.com: DJI Spark | Using the Spark Portable Charging Station. Published Nov. 16, 2017. Retrieved from the internet at <<https://www.youtube.com/watch?v=0r4XulGzELk>>, Mar. 8, 2018. 1 page.*

(22) Filed: **Apr. 13, 2017**

(51) **LOC (11) Cl.** **13-02**

(52) **U.S. Cl.**
USPC **D13/108**

(58) **Field of Classification Search**

USPC D13/102, 103, 104, 105, 106, 107, 108, D13/109, 110, 118, 119, 184, 199; D14/203.3-203.8, 217, 248, 250-253, D14/432, 434, 440, 450, 496; D3/201, D3/218, 269, 301, 273, 303; D28/78, 82, D28/83; D9/432; D12/16.1, 345
CPC H02J 2001/008; H02J 3/32; H02J 3/008; H02J 7/0027; H02J 7/0013; H02J 7/0054; H02J 7/00; H02J 7/025; H02J 7/0042; H02J 7/0044; H02J 7/0045; H02J 7/0003; H02J 7/0055; H02J 7/0057; B60R 16/03; B60L 11/1809; B60L 11/1861; B60L 11/182; H01R 13/6675; H01R 13/70; H01R 13/71; H01R 13/66; H01R 2201/26; H01M 2/1022; H01M 2/1055; H01M 10/44; H01M 10/46; H01M 10/425; H01M 2/02; H01M 2/022; H01M 2/0202; H01M 2/0207; H01M 2/0212; H01M 10/4257; H01M 10/0436; H01M 10/48; H01M 2200/30; H01M 2250/30; H01M 2250/40; H01F 38/14; Y02E 60/12; Y02E 60/122; Y02E 60/124; Y02E

Primary Examiner — Rosemary K Tarcza

Assistant Examiner — Christy M Nemeth

(74) *Attorney, Agent, or Firm* — Sterne, Kessler, Goldstein & Fox P.L.L.C.

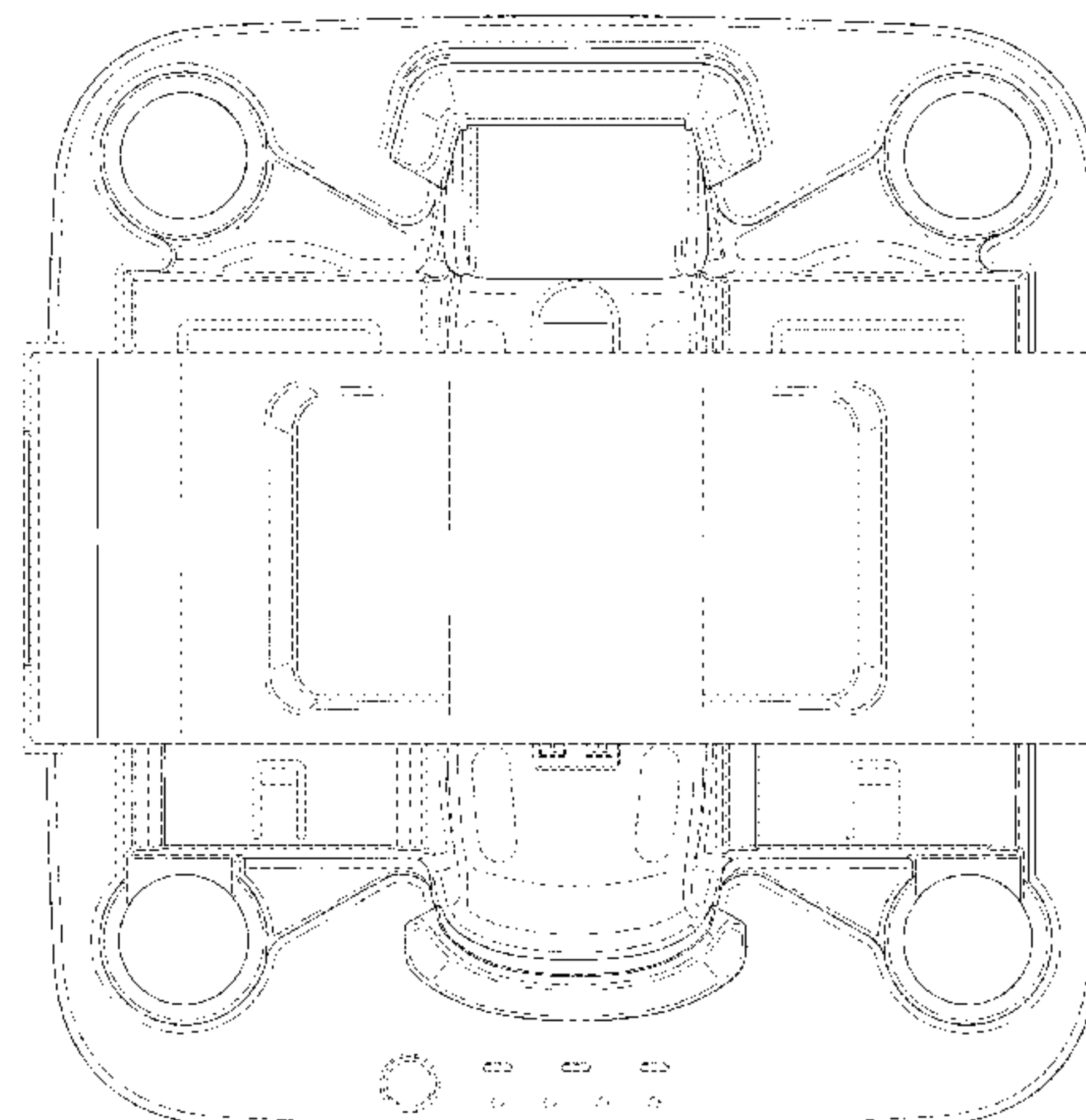
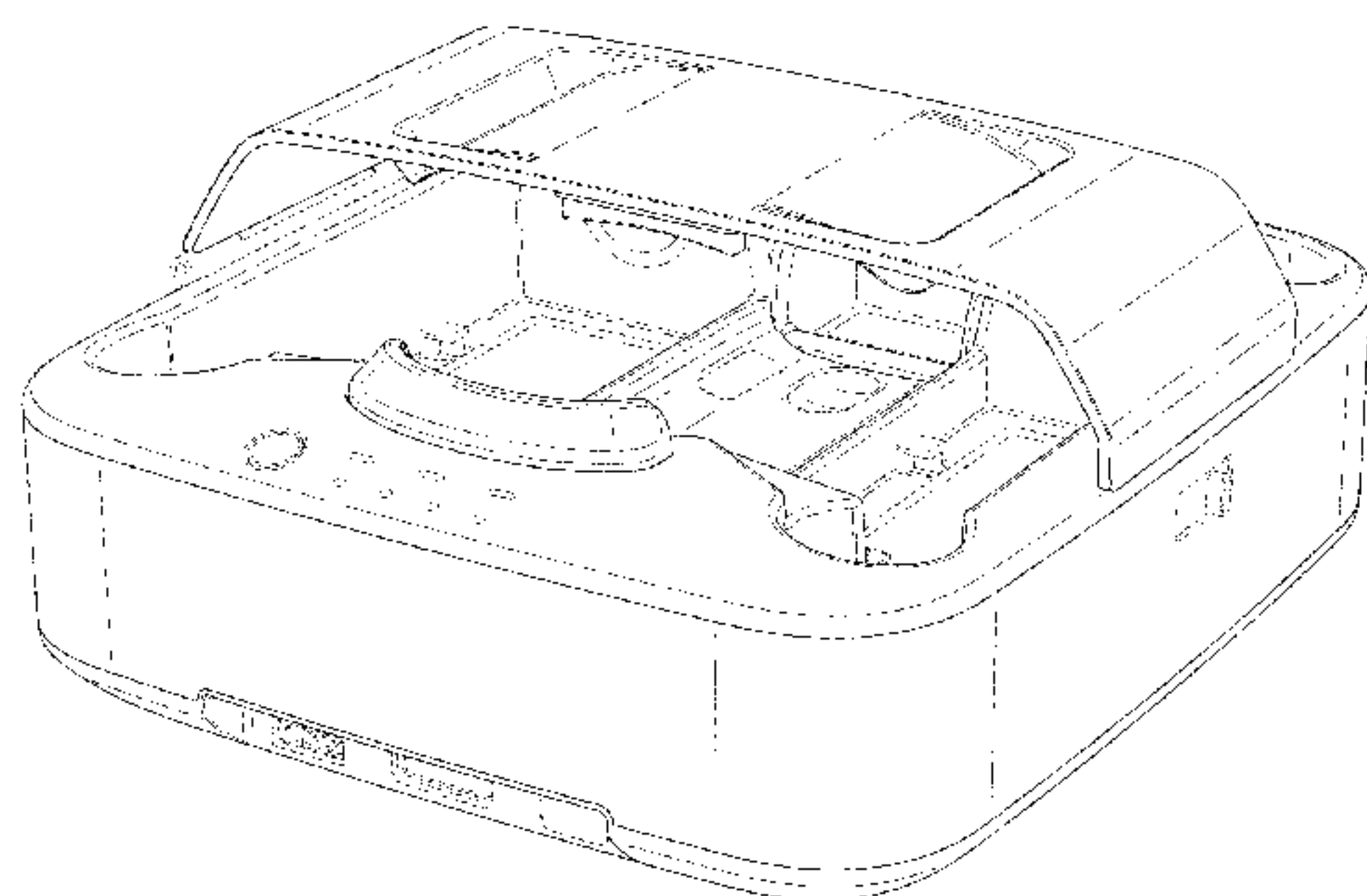
(57) **CLAIM**

The ornamental design for a charging case for aerial vehicle, as shown and described.

DESCRIPTION

FIG. 1 is a top front perspective view of a charging case for aerial vehicle showing the claimed design;
FIG. 2 is a top rear perspective view thereof;
FIG. 3 is a bottom rear perspective view thereof;
FIG. 4 is a front view thereof;
FIG. 5 is a rear view thereof;
FIG. 6 is a left side view thereof;
FIG. 7 is a right side view thereof;
FIG. 8 is a top view thereof; and,
FIG. 9 is a bottom view thereof.

(Continued)



The broken lines in the figures show portions of the charging case for aerial vehicle that form no part of the claimed design.

1 Claim, 7 Drawing Sheets

(56)

References Cited

U.S. PATENT DOCUMENTS

D784,258 S *	4/2017	Vienna	D13/108
D795,161 S *	8/2017	Schutterra	D12/345
D798,192 S *	9/2017	Zhang	D12/16.1
D807,816 S *	1/2018	Petrella	D13/102
D808,905 S *	1/2018	Perry	D13/118

* cited by examiner

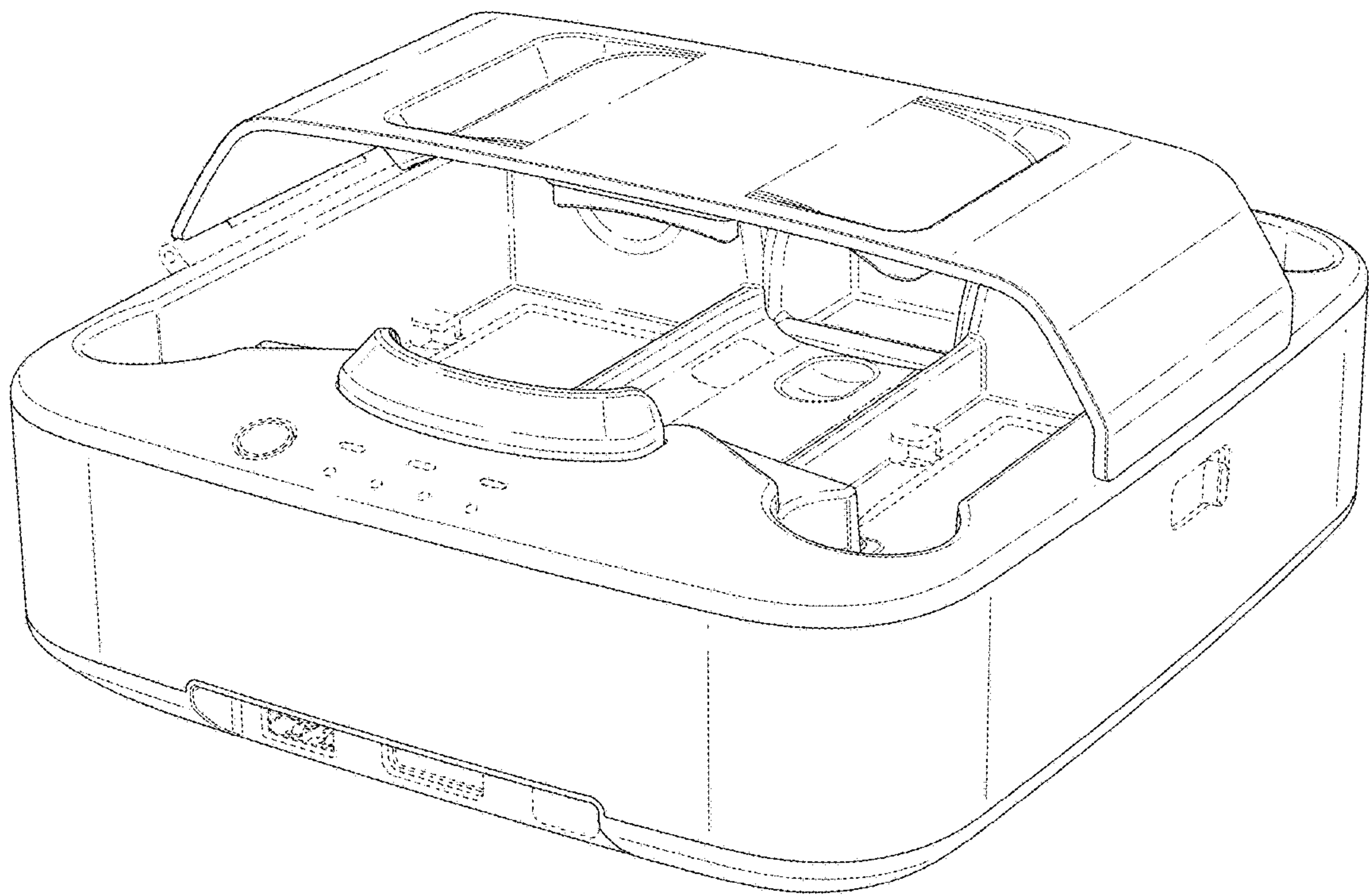


FIG. 1

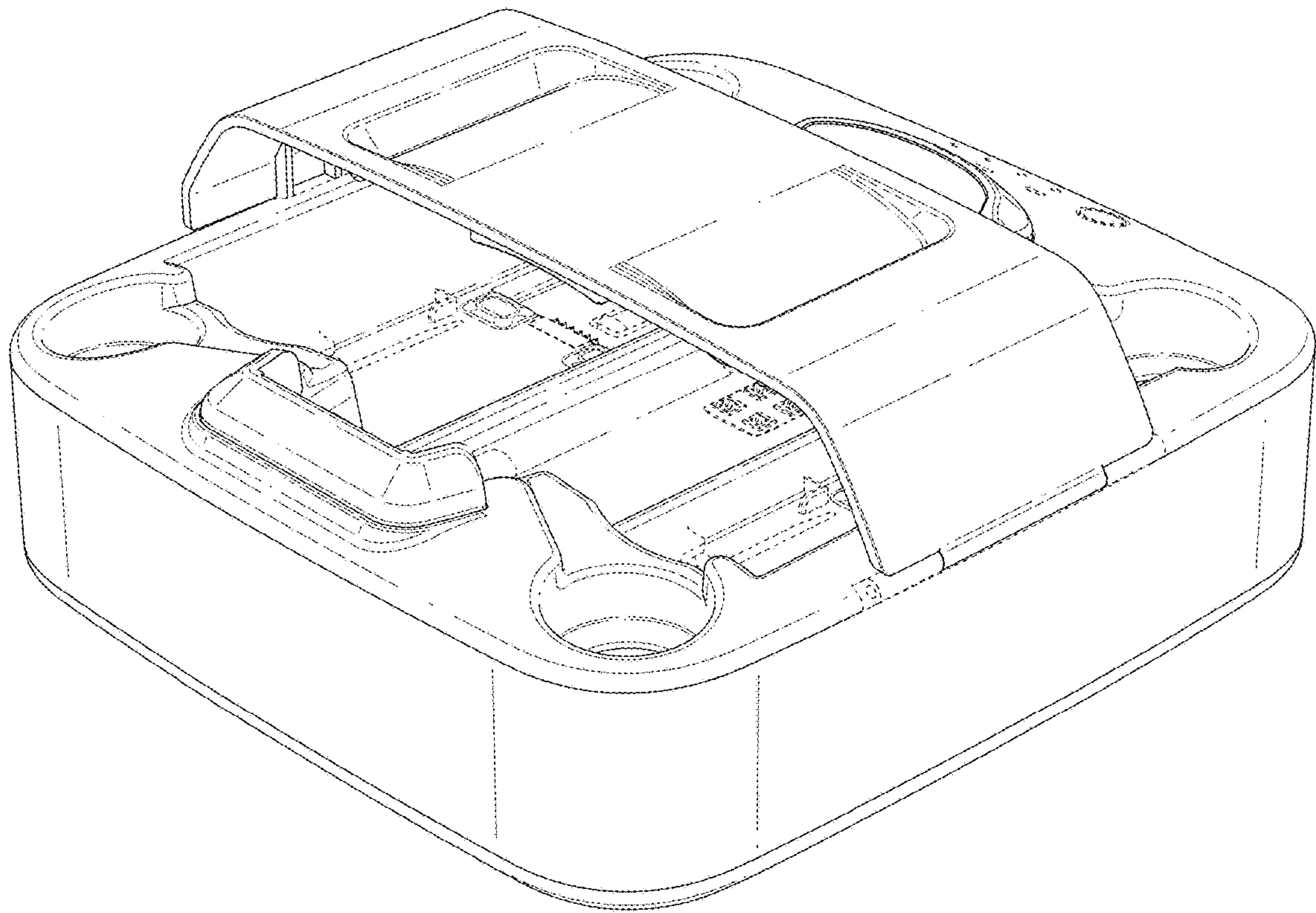


FIG. 2

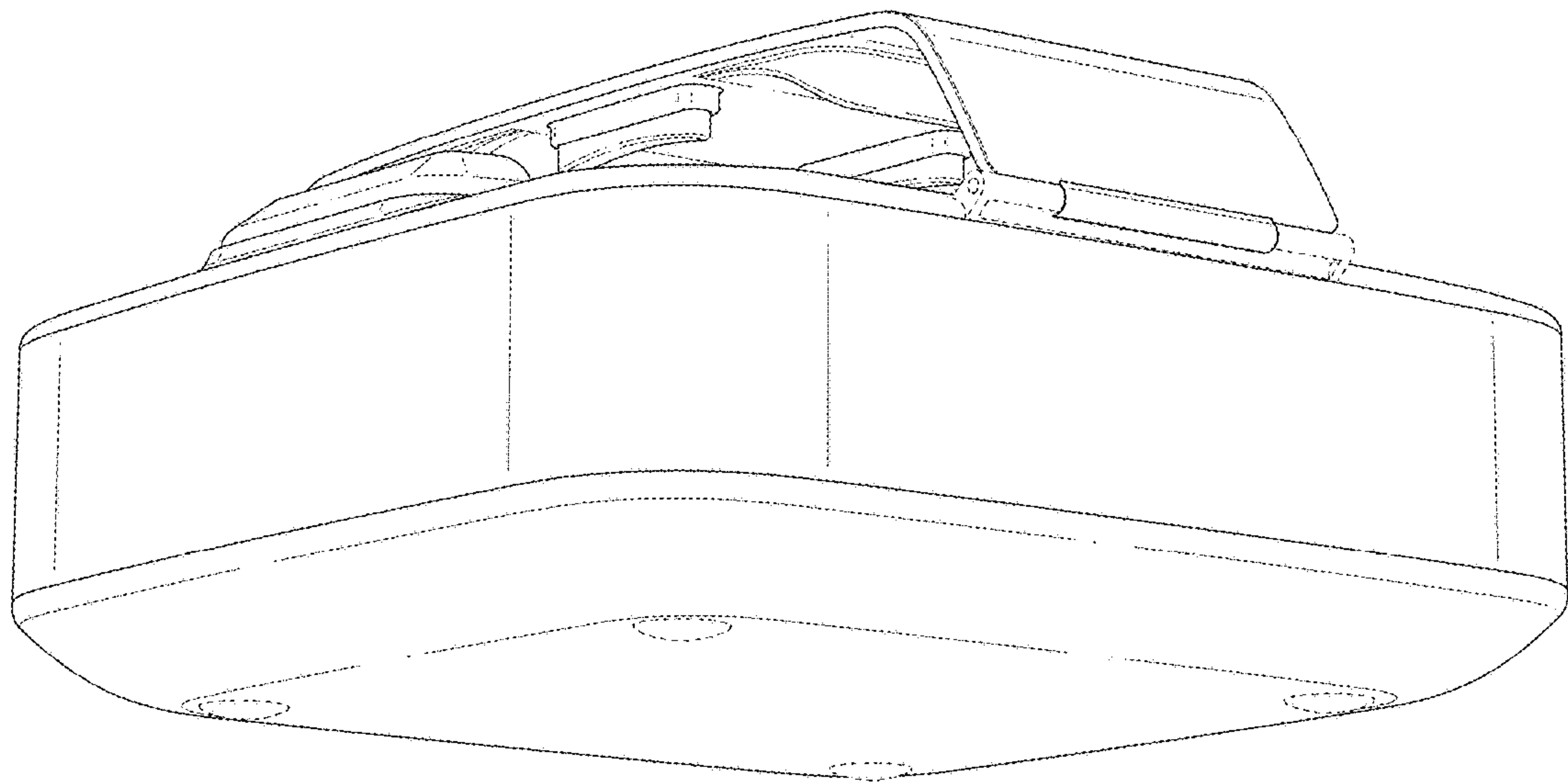


FIG. 3

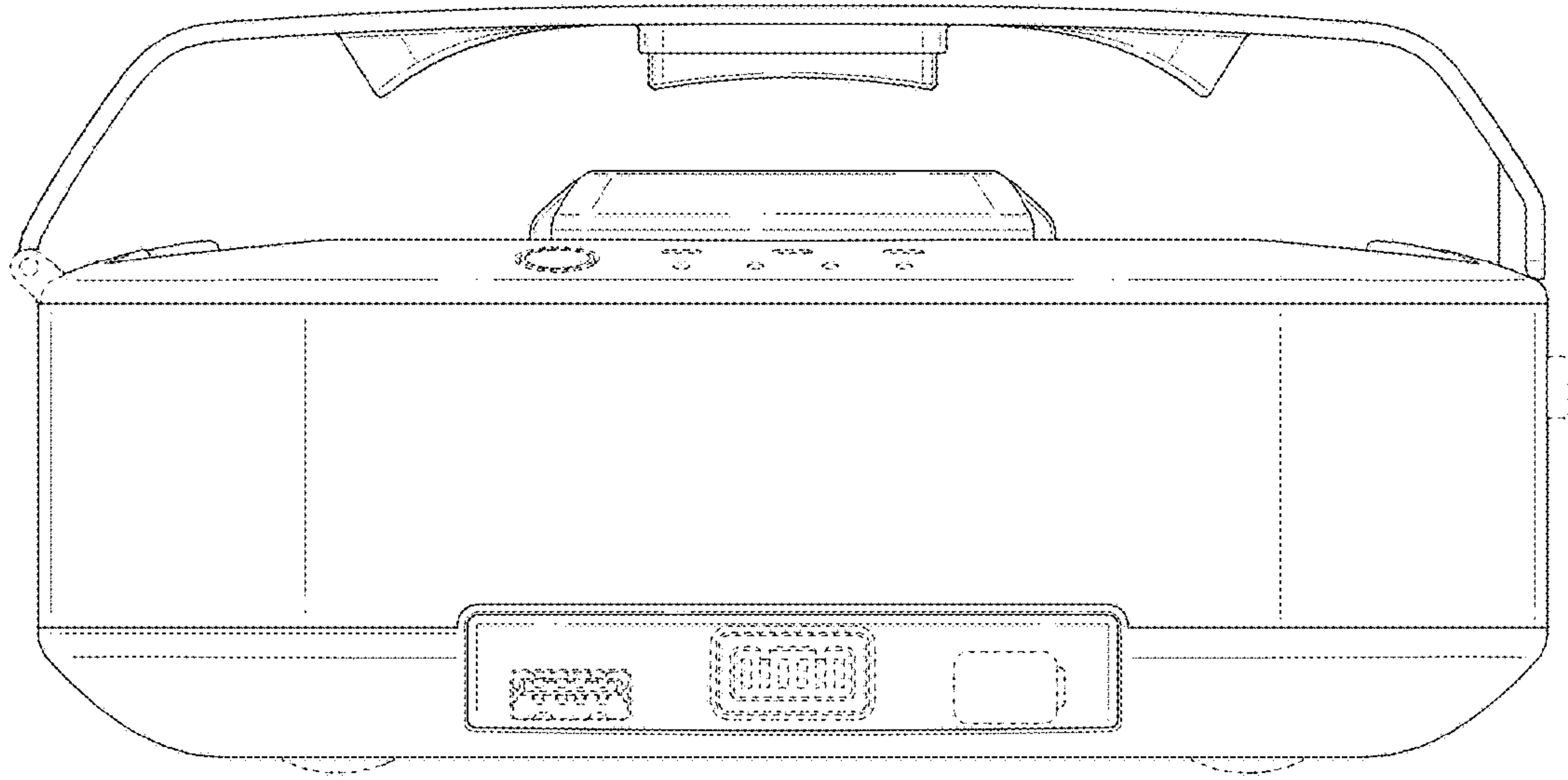


FIG. 4

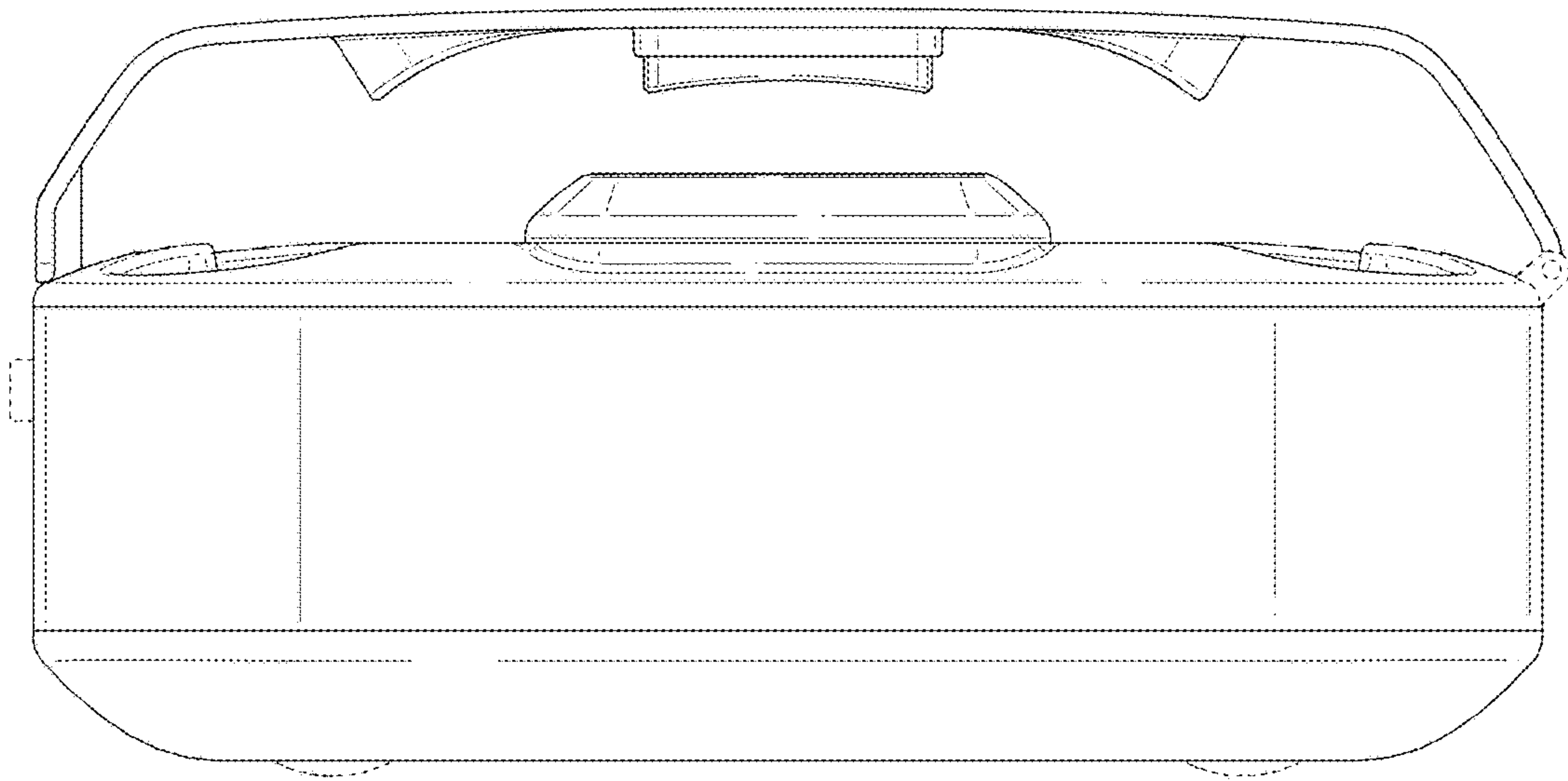


FIG. 5

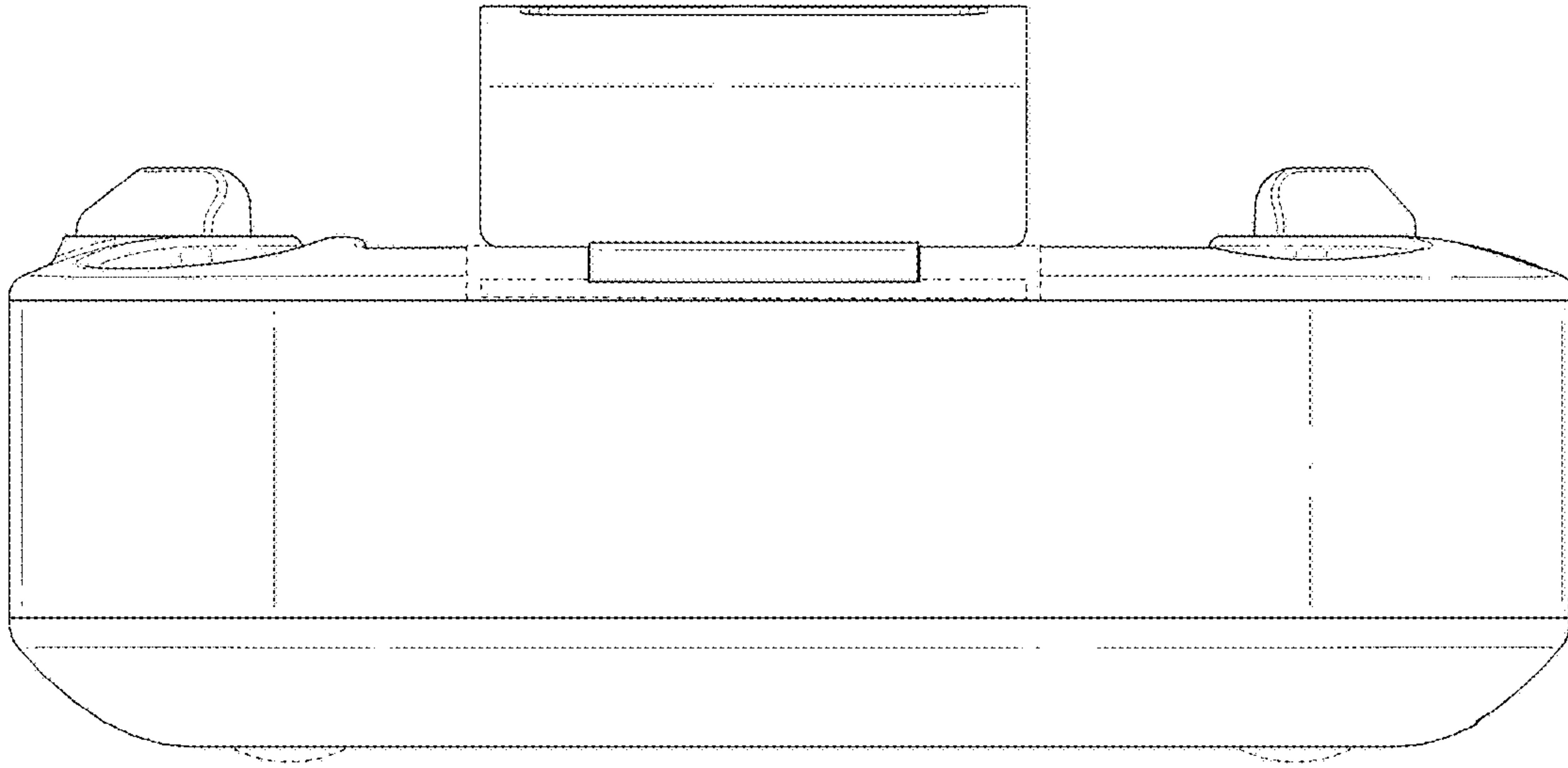


FIG. 6

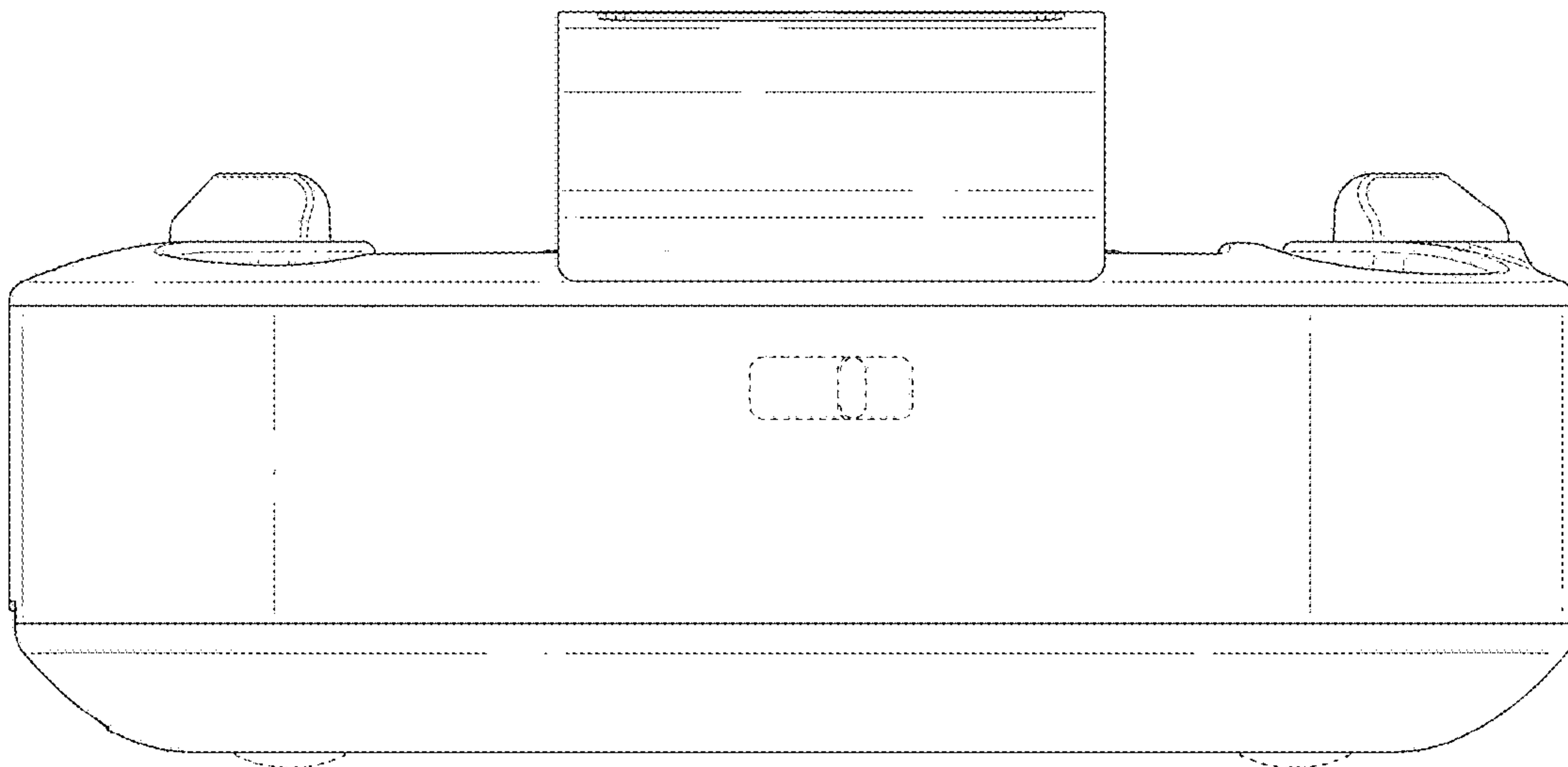


FIG. 7

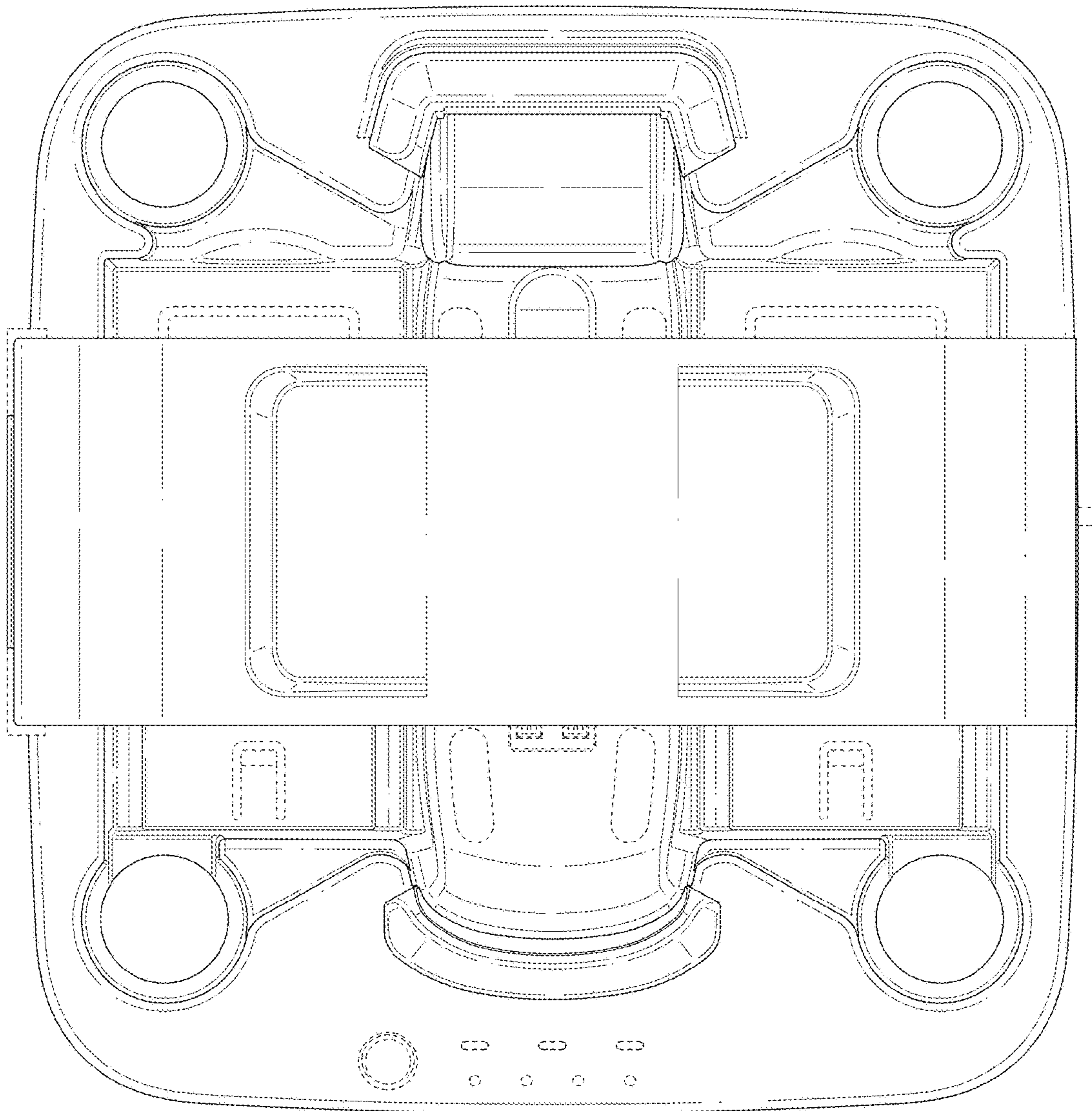


FIG. 8

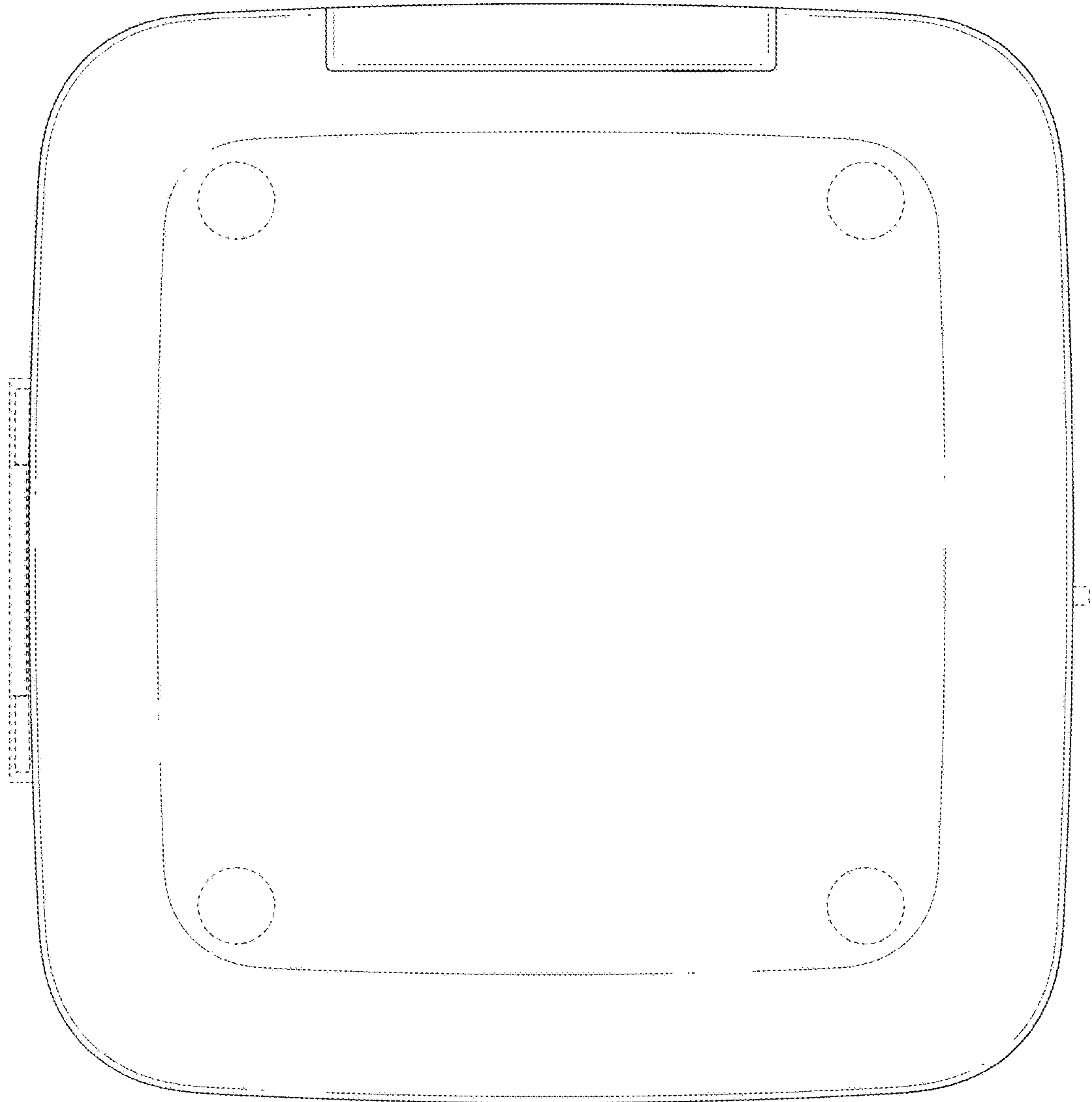


FIG. 9