



US00D819563S

(12) **United States Design Patent**  
**Wei**

(10) **Patent No.:** **US D819,563 S**

(45) **Date of Patent:** **\*\* Jun. 5, 2018**

(54) **CHARGING STAND DOCK FOR SMART WATCH**

(71) Applicant: **Shudong Wei**, Guangdong (CN)

(72) Inventor: **Shudong Wei**, Guangdong (CN)

(\*\*) Term: **15 Years**

(21) Appl. No.: **29/589,178**

(22) Filed: **Dec. 29, 2016**

(51) **LOC (11) Cl.** ..... **13-02**

(52) **U.S. Cl.**  
USPC ..... **D13/108**

(58) **Field of Classification Search**

USPC ..... D13/107-110, 118-119, 184; D14/251,  
D14/253, 432, 434  
CPC ..... Y02E 60/12; Y02T 90/14; Y02T 90/122;  
Y02T 90/128; Y02T 90/163; H02J 7/025;  
H02J 7/0042; H02J 7/0044; H02J 7/0045;  
H02J 7/0003; H01F 38/14; H01R  
13/6675; H01M 2/1022; H01M 2/1055;  
H01M 10/44; H01M 10/46; H01M  
10/425; B60L 11/182  
See application file for complete search history.

(56) **References Cited**

**U.S. PATENT DOCUMENTS**

D588,985 S \* 3/2009 O'Hern ..... D13/107  
D606,545 S \* 12/2009 Salmon ..... D13/108  
D610,084 S \* 2/2010 Christopher ..... D13/107  
D642,519 S \* 8/2011 Woo ..... D13/108  
D652,834 S \* 1/2012 Jones ..... D14/434

D655,293 S \* 3/2012 Gioscia ..... D14/434  
D674,336 S \* 1/2013 Suzuka ..... D13/108  
D691,947 S \* 10/2013 Cole ..... D13/108  
D718,712 S \* 12/2014 Aumiller ..... D13/108  
D729,222 S \* 5/2015 Grziwok ..... D14/253  
D736,210 S \* 8/2015 Paradise ..... D14/434  
D741,846 S \* 10/2015 Jeon ..... D14/253  
D753,057 S \* 4/2016 Kubo ..... D13/108  
D772,812 S \* 11/2016 Choe ..... D13/108  
D776,053 S \* 1/2017 Barnard ..... D13/108  
D777,590 S \* 1/2017 Nielsen ..... D10/39  
D788,035 S \* 5/2017 Bang ..... D13/108  
D795,719 S \* 8/2017 Lean ..... D10/39  
2010/0315041 A1 \* 12/2010 Tan ..... H02J 7/0044  
320/115

\* cited by examiner

*Primary Examiner* — Rosemary K Tarcza  
*Assistant Examiner* — Nathaniel D. Buckner

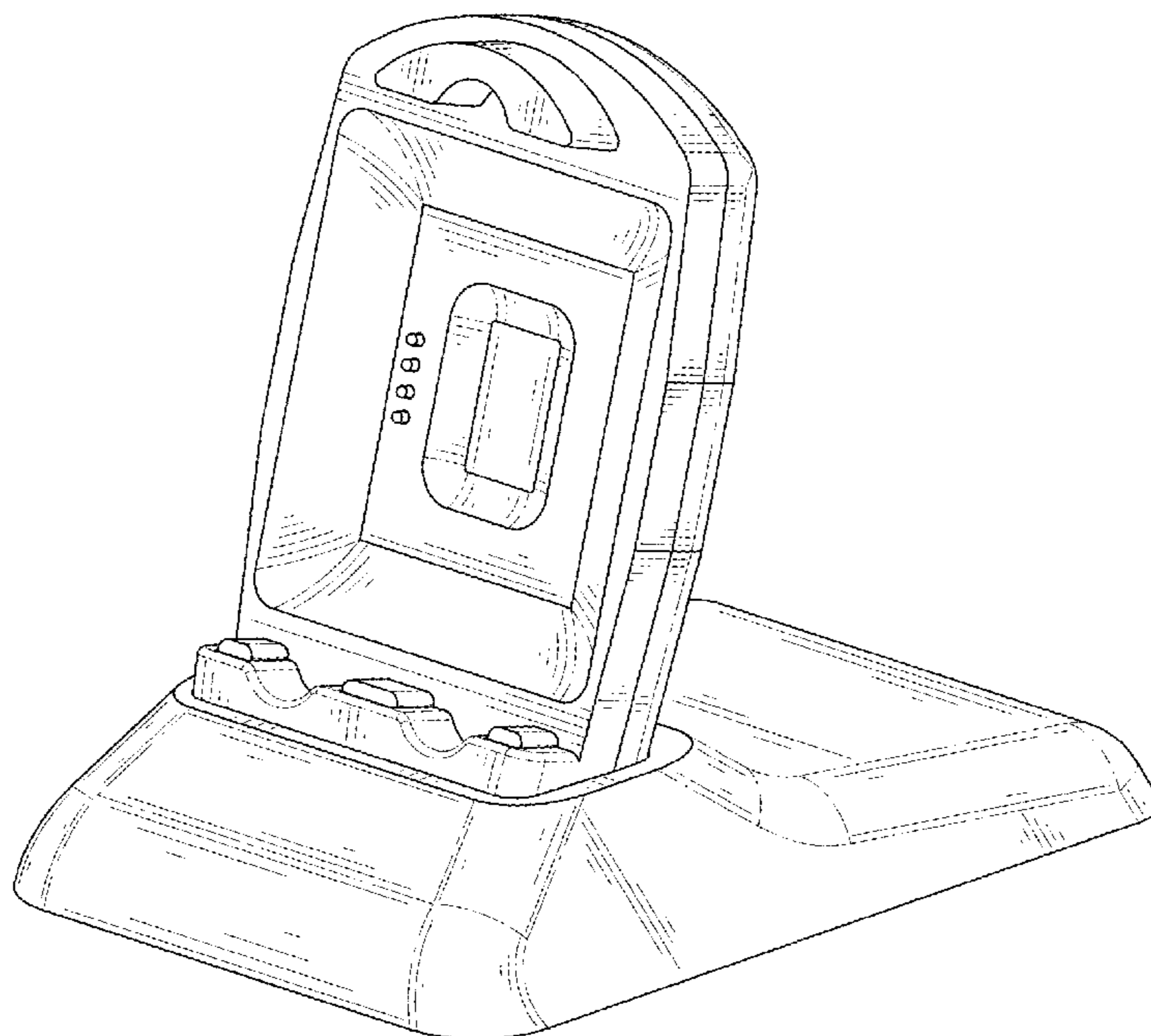
(57) **CLAIM**

The ornamental design for a charging stand dock for smart watch, as shown and described.

**DESCRIPTION**

FIG. 1 is a first perspective view of a charging stand dock for smart watch showing my new design;  
FIG. 2 is a second perspective view thereof;  
FIG. 3 is a front elevational view thereof;  
FIG. 4 is a rear elevational view thereof;  
FIG. 5 is a right side view thereof;  
FIG. 6 is a left side view thereof;  
FIG. 7 is a top plan view thereof; and,  
FIG. 8 is a bottom plan view thereof.

**1 Claim, 8 Drawing Sheets**



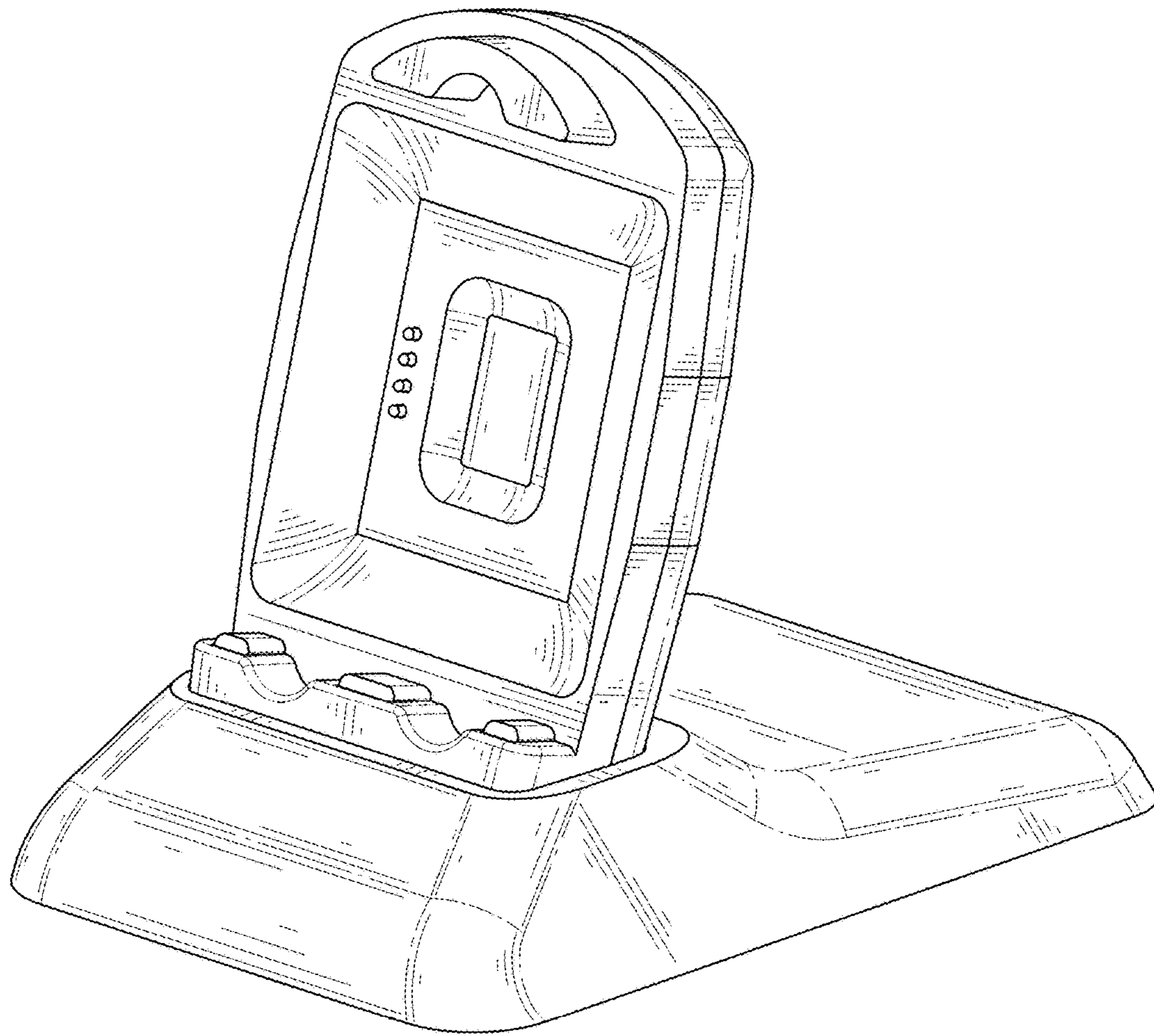


FIG. 1

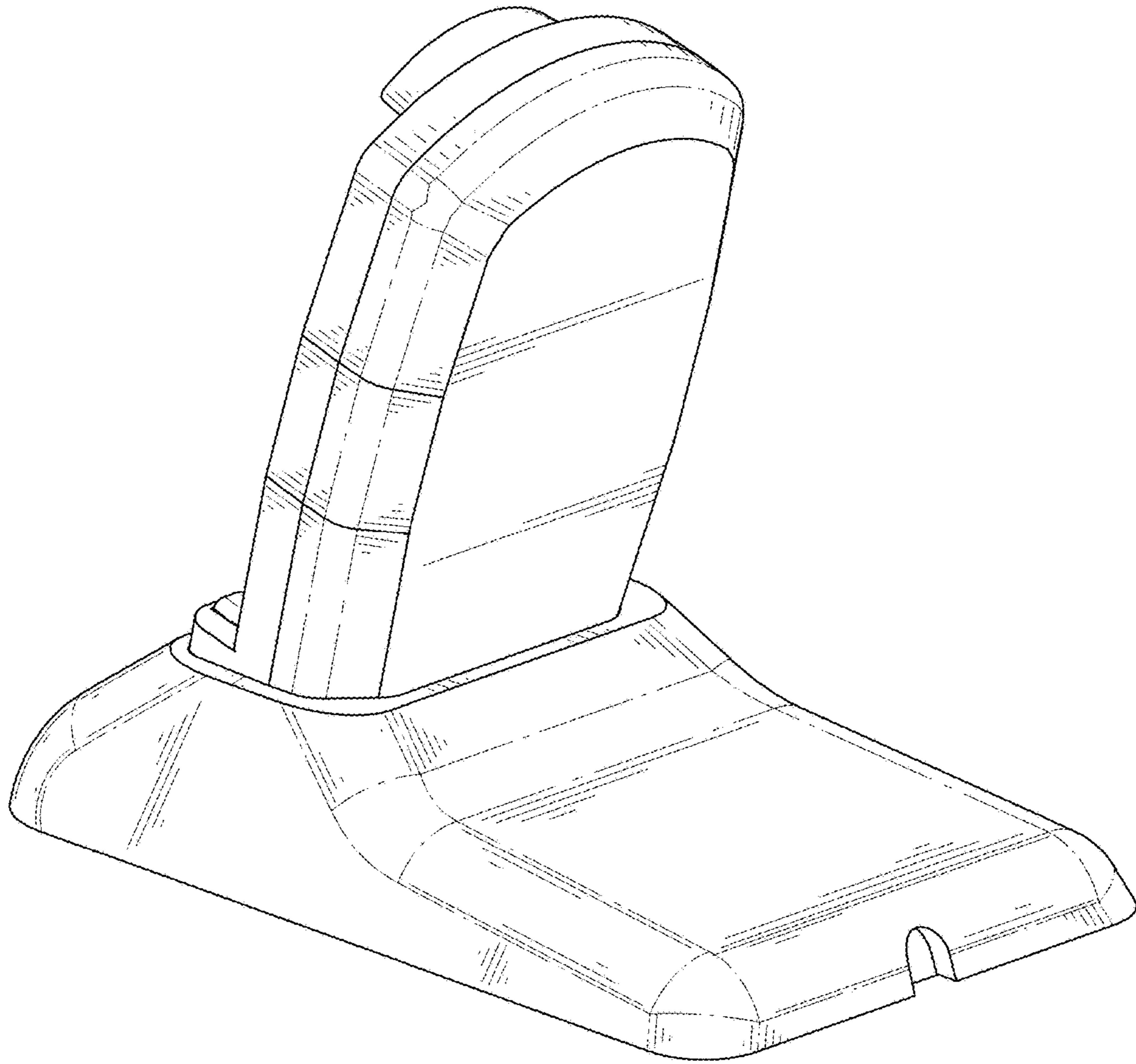


FIG. 2

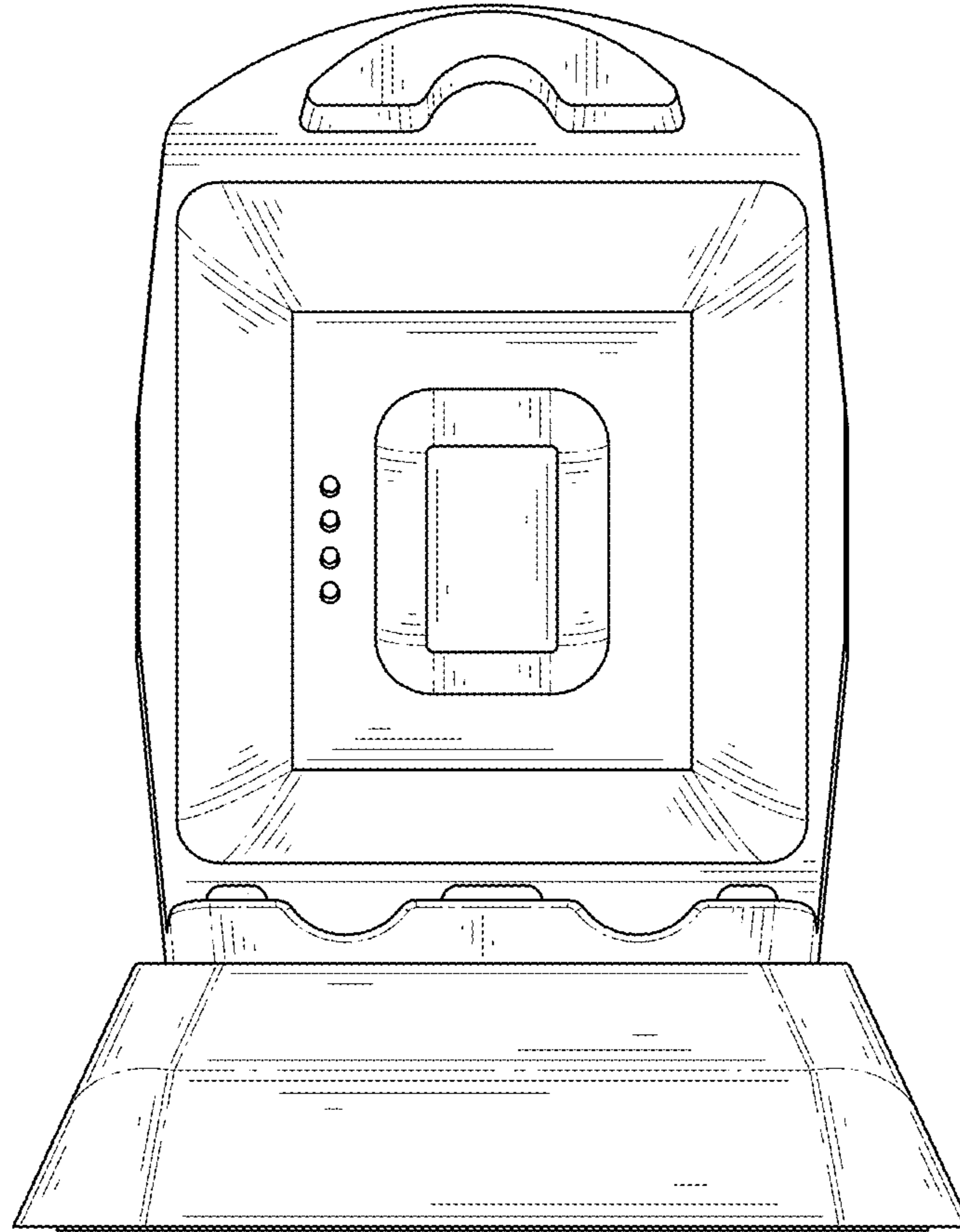


FIG. 3

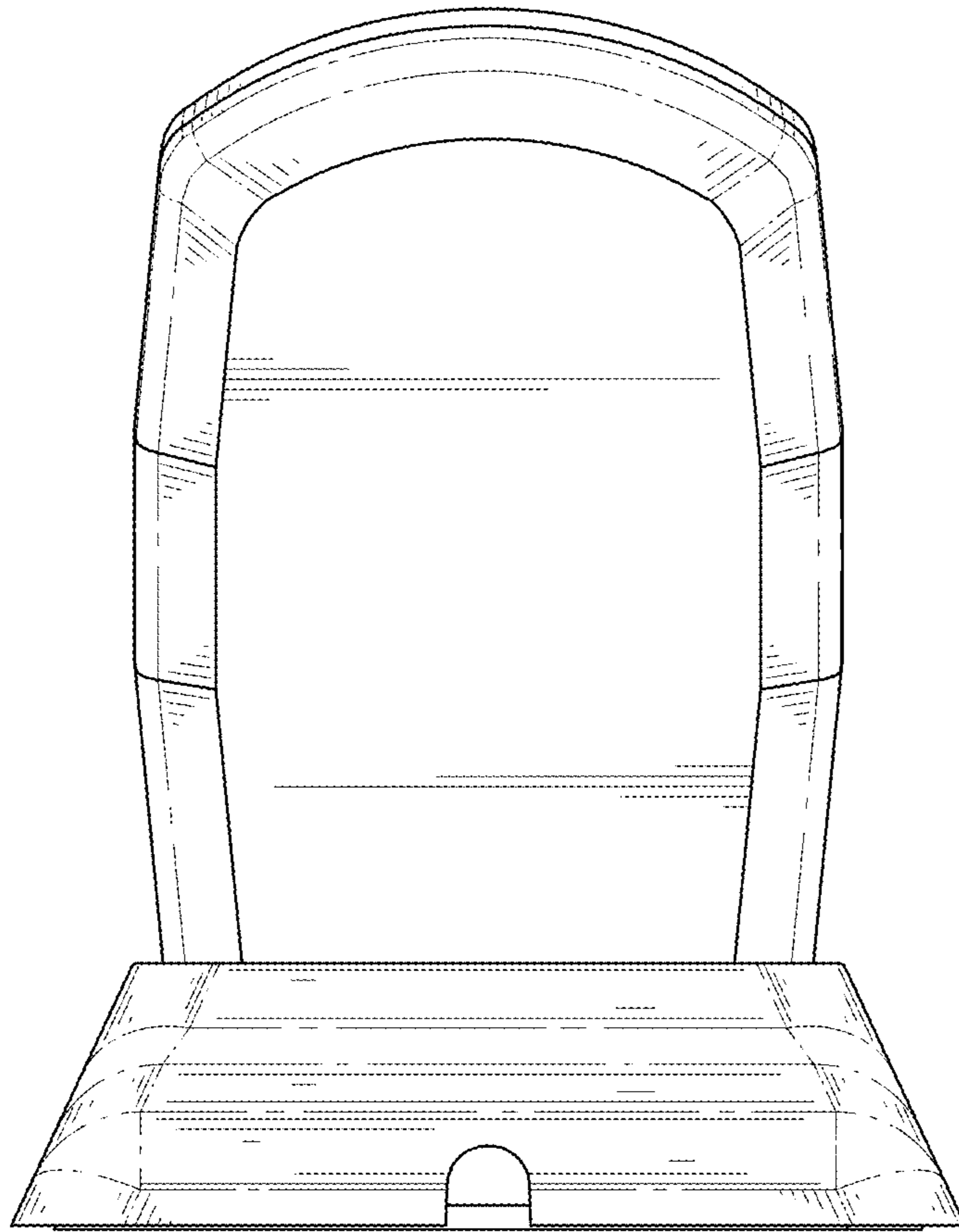


FIG. 4



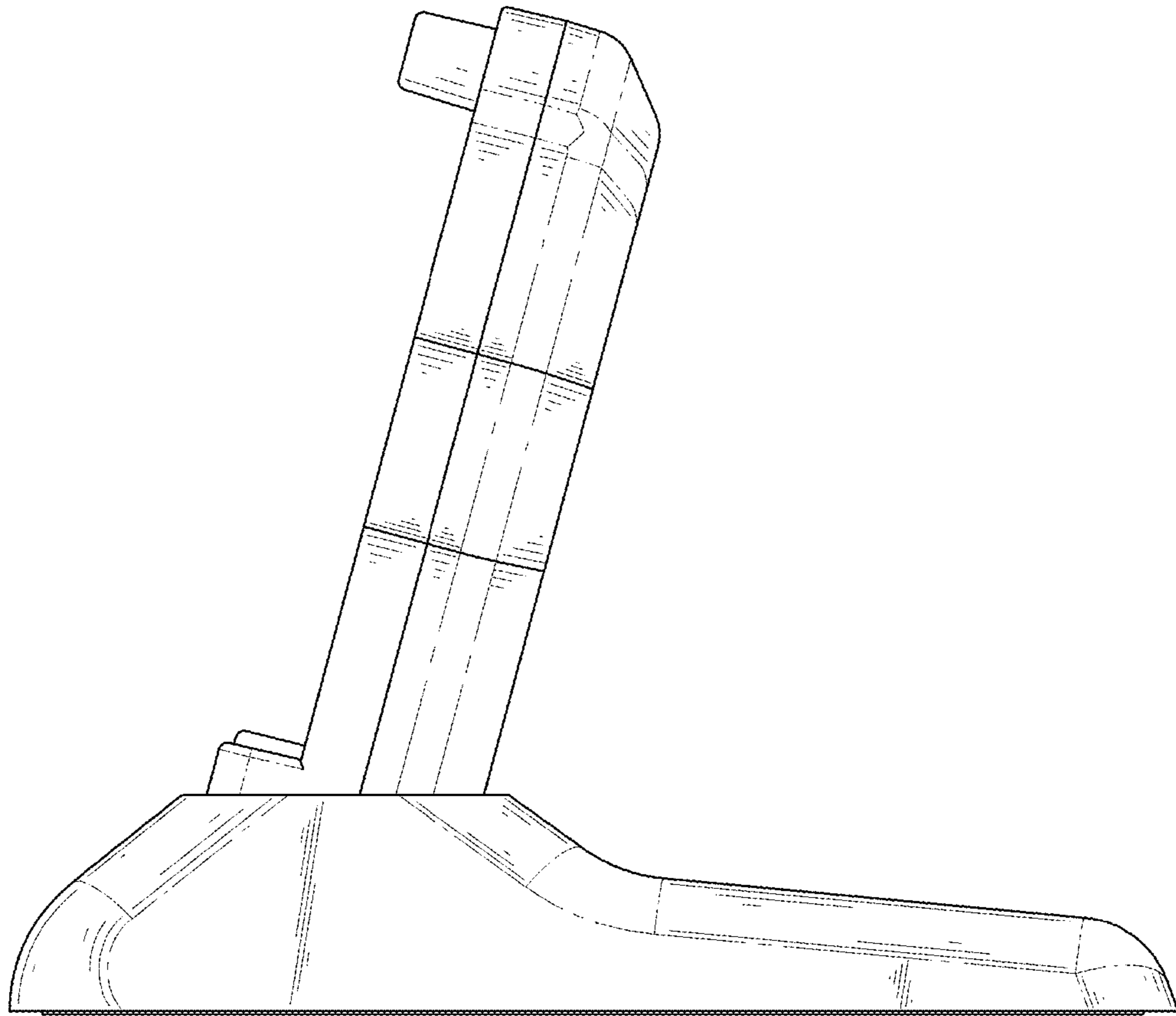


FIG. 5

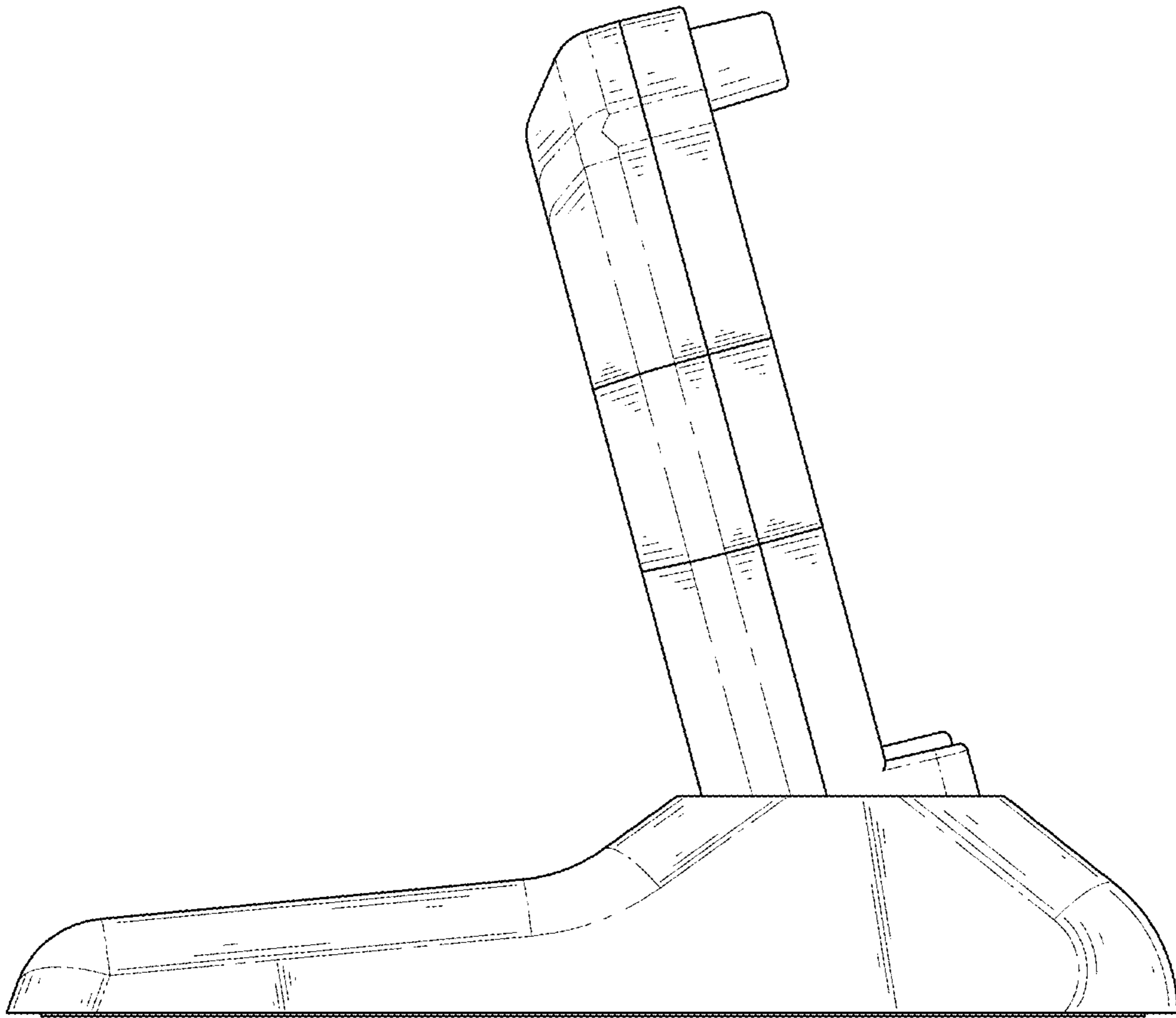


FIG. 6

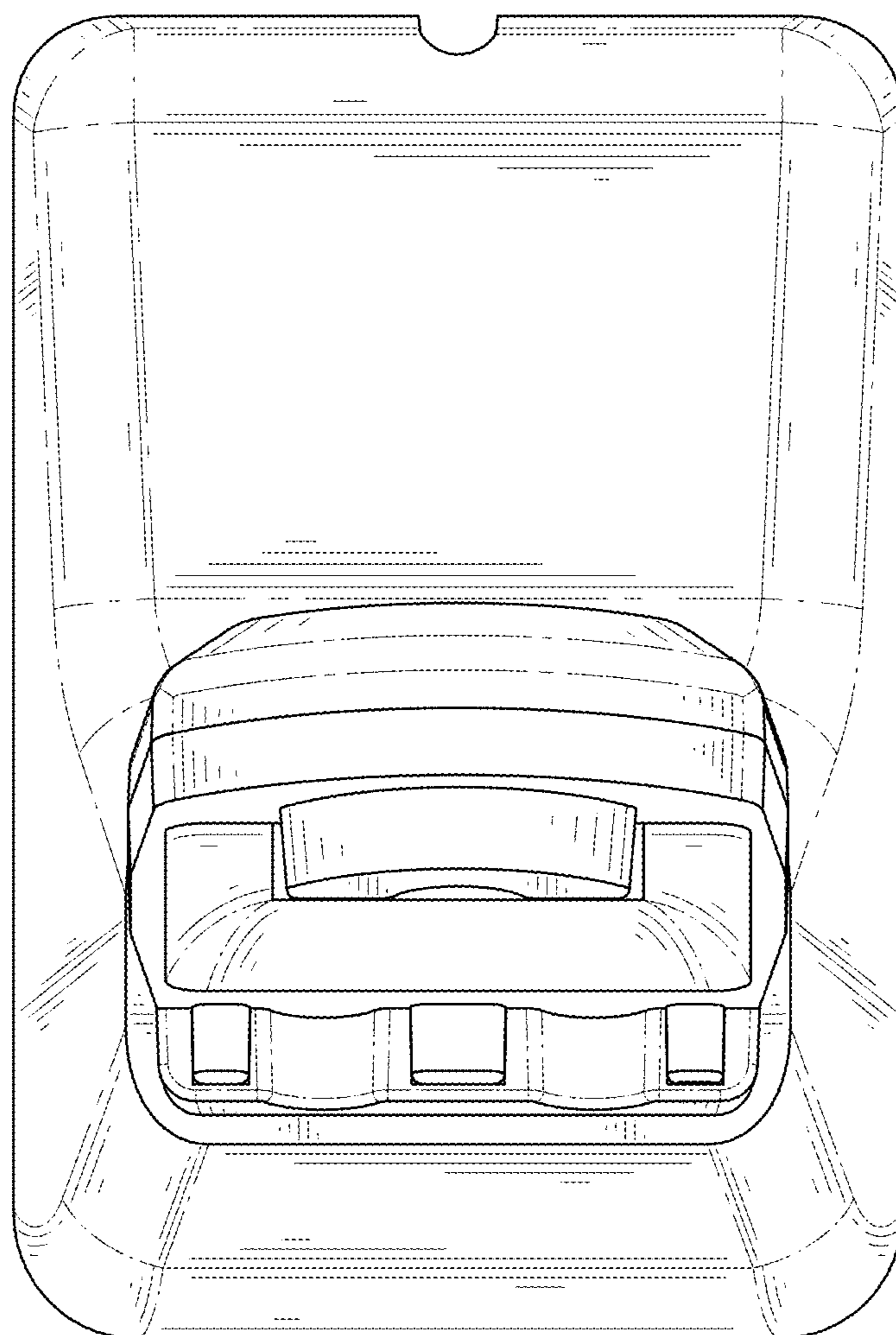


FIG. 7



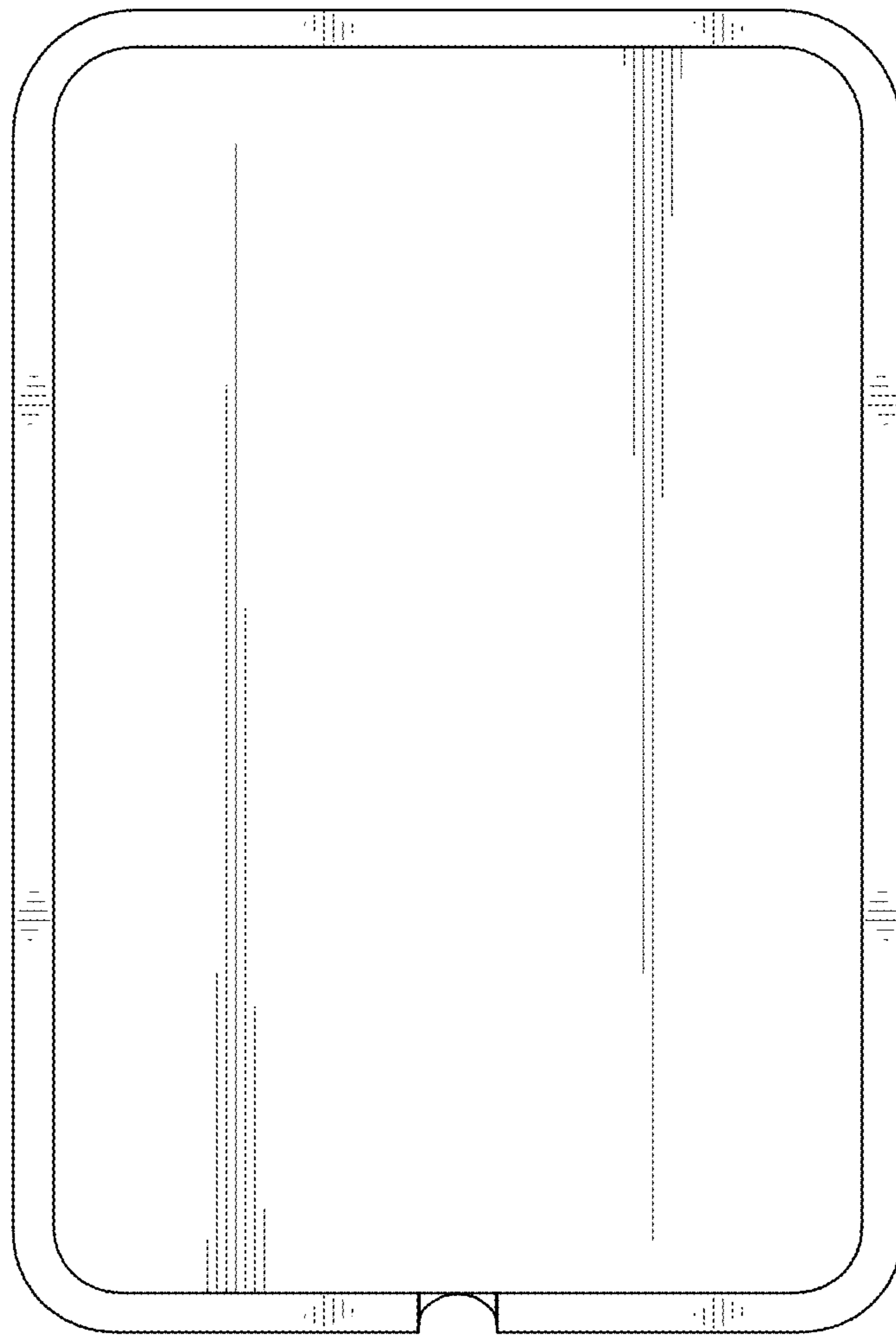


FIG. 8