



US00D819560S

(12) **United States Design Patent** (10) **Patent No.:** **US D819,560 S**
Mori (45) **Date of Patent:** **** Jun. 5, 2018**

(54) **SPIKE PIN FOR AUTOMOBILE TIRE**
 (71) Applicant: **THE YOKOHAMA RUBBER CO., LTD.**, Minato-ku, Tokyo (JP)
 (72) Inventor: **Masakazu Mori**, Hiratsuka (JP)
 (73) Assignee: **THE YOKOHAMA RUBBER CO., LTD.**, Minato-ku, Tokyo (JP)

D774,449 S * 12/2016 Matsumoto D12/608
 D775,585 S * 1/2017 Matsumoto D12/608
 D775,586 S * 1/2017 Matsumoto D12/608
 D776,047 S * 1/2017 Matsumoto D12/608
 D776,048 S * 1/2017 Matsumoto D12/608
 D776,049 S * 1/2017 Matsumoto D12/608
 D777,097 S * 1/2017 Matsumoto D12/608
 2013/0000807 A1 * 1/2013 Pons B60C 11/1643
 152/210

* cited by examiner

(**) Term: **15 Years**
 (21) Appl. No.: **29/595,479**

Primary Examiner — George D. Kirschbaum
Assistant Examiner — Clese Moore, Jr.
 (74) *Attorney, Agent, or Firm* — Banner & Witcoff, Ltd.

(22) Filed: **Feb. 28, 2017**

(57) **CLAIM**

(30) **Foreign Application Priority Data**

The ornamental design for a spike pin for automobile tire, as shown and described.

Aug. 30, 2016 (JP) 2016-018476

DESCRIPTION

(51) **LOC (11) Cl.** **12-15**
 (52) **U.S. Cl.**
 USPC **D12/608**
 (58) **Field of Classification Search**
 USPC D12/604–608, 501, 544, 579
 CPC ... B60C 27/08; B60C 27/086; B60C 27/0223;
 B60C 11/1675; B60C 11/14
 See application file for complete search history.

FIG. 1 is a perspective view of a spike pin for an automobile tire showing my new design;
 FIG. 2 is a front view thereof;
 FIG. 3 is a right side view thereof;
 FIG. 4 is a top view thereof;
 FIG. 5 is a bottom view thereof;
 FIG. 6 is a cross sectional view taken along lines 6-6 shown in FIG. 2; and,
 FIG. 7 is a cross sectional view taken along lines 7-7 shown in FIG. 3.

(56) **References Cited**

A rear view appears to be identical to the front view and is omitted. A left side view appears to be identical to the right side view and is omitted. The thin lines shown in the views are for clarifying the shape of the three-dimensional surface.

U.S. PATENT DOCUMENTS

D584,979 S * 1/2009 Pirhonen D12/608
 D608,233 S * 1/2010 Pirhonen D12/608
 D609,127 S * 2/2010 Pirhonen D12/608
 D708,567 S * 7/2014 Matsumoto D12/608

1 Claim, 7 Drawing Sheets

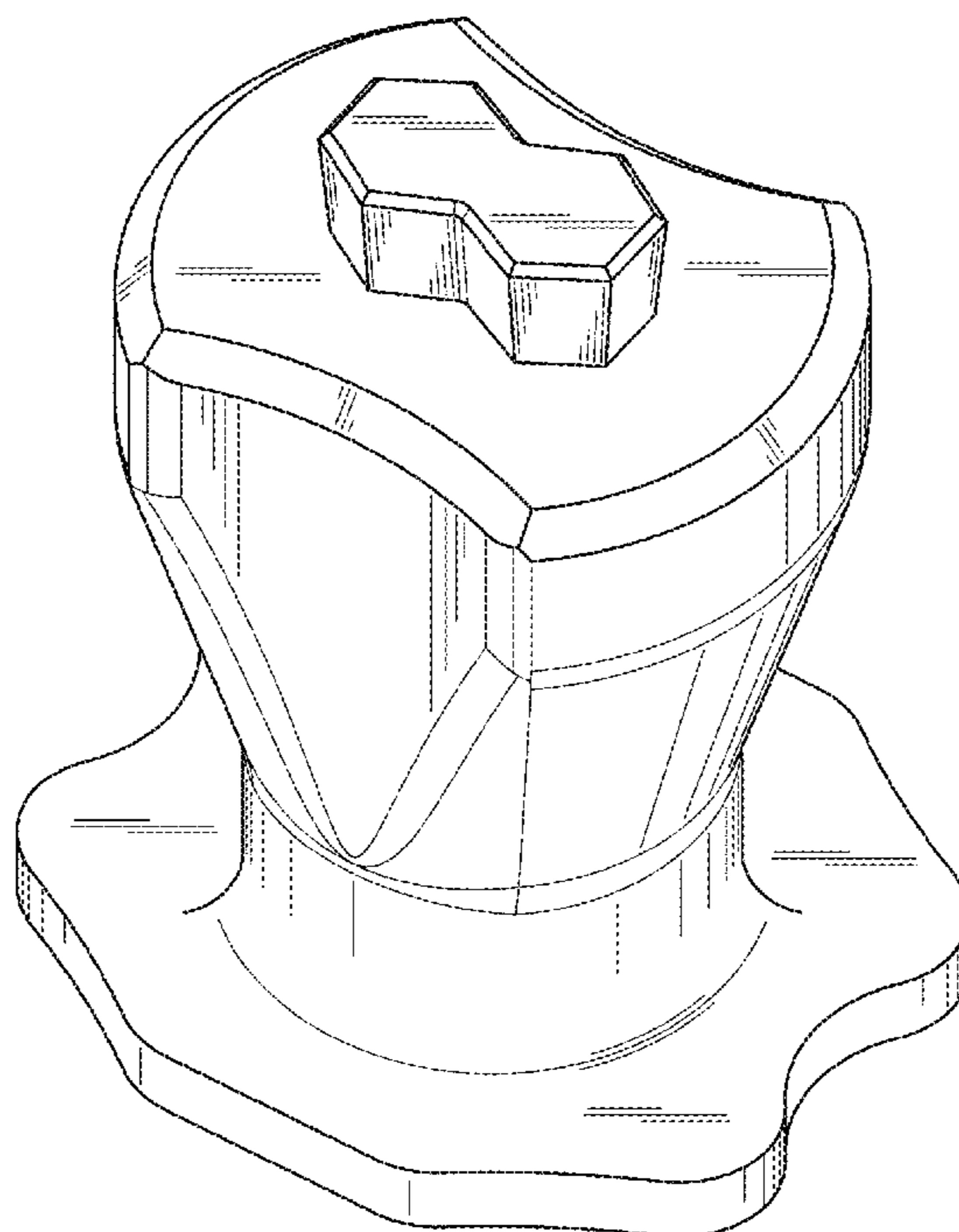


FIG. 1

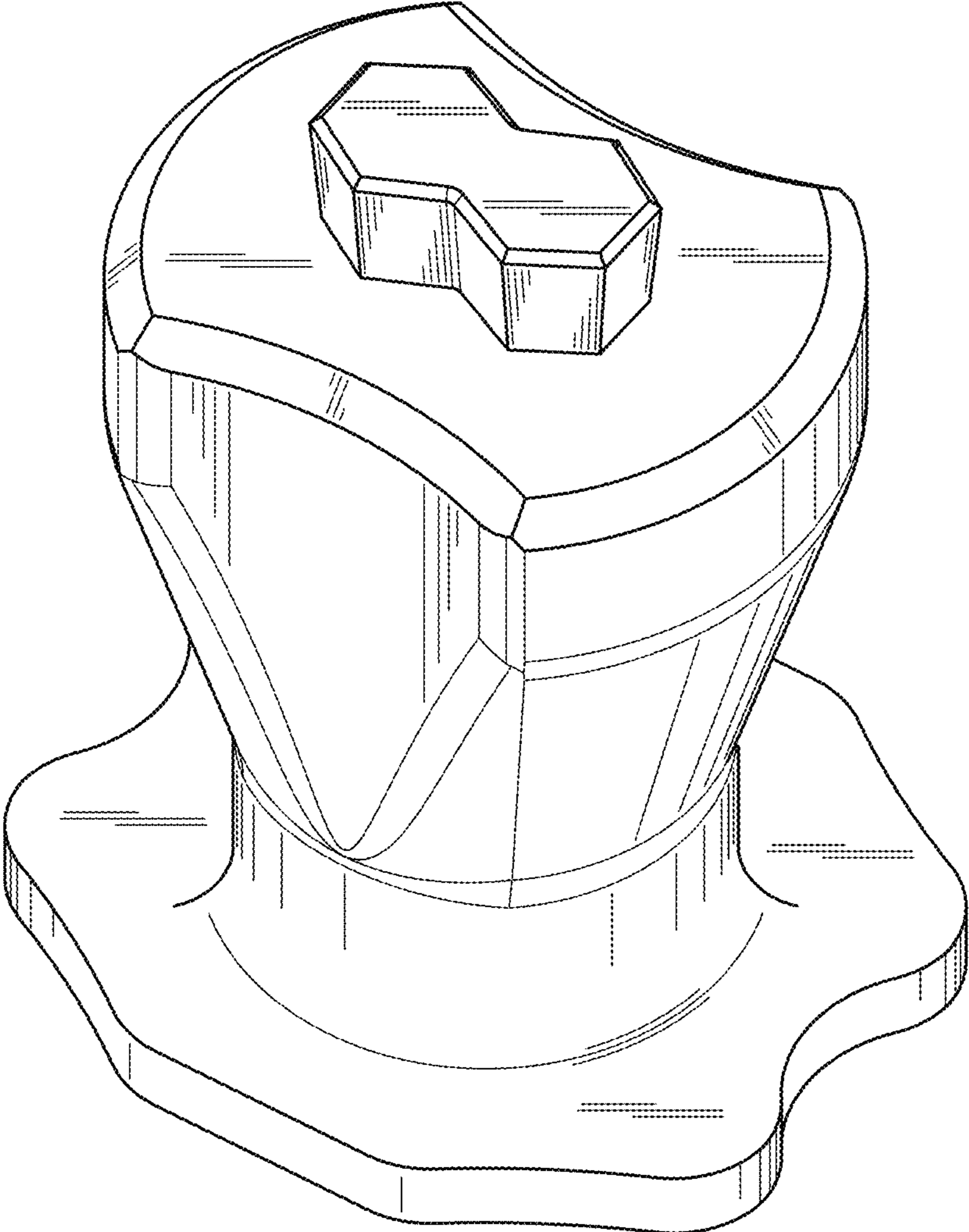


FIG. 2

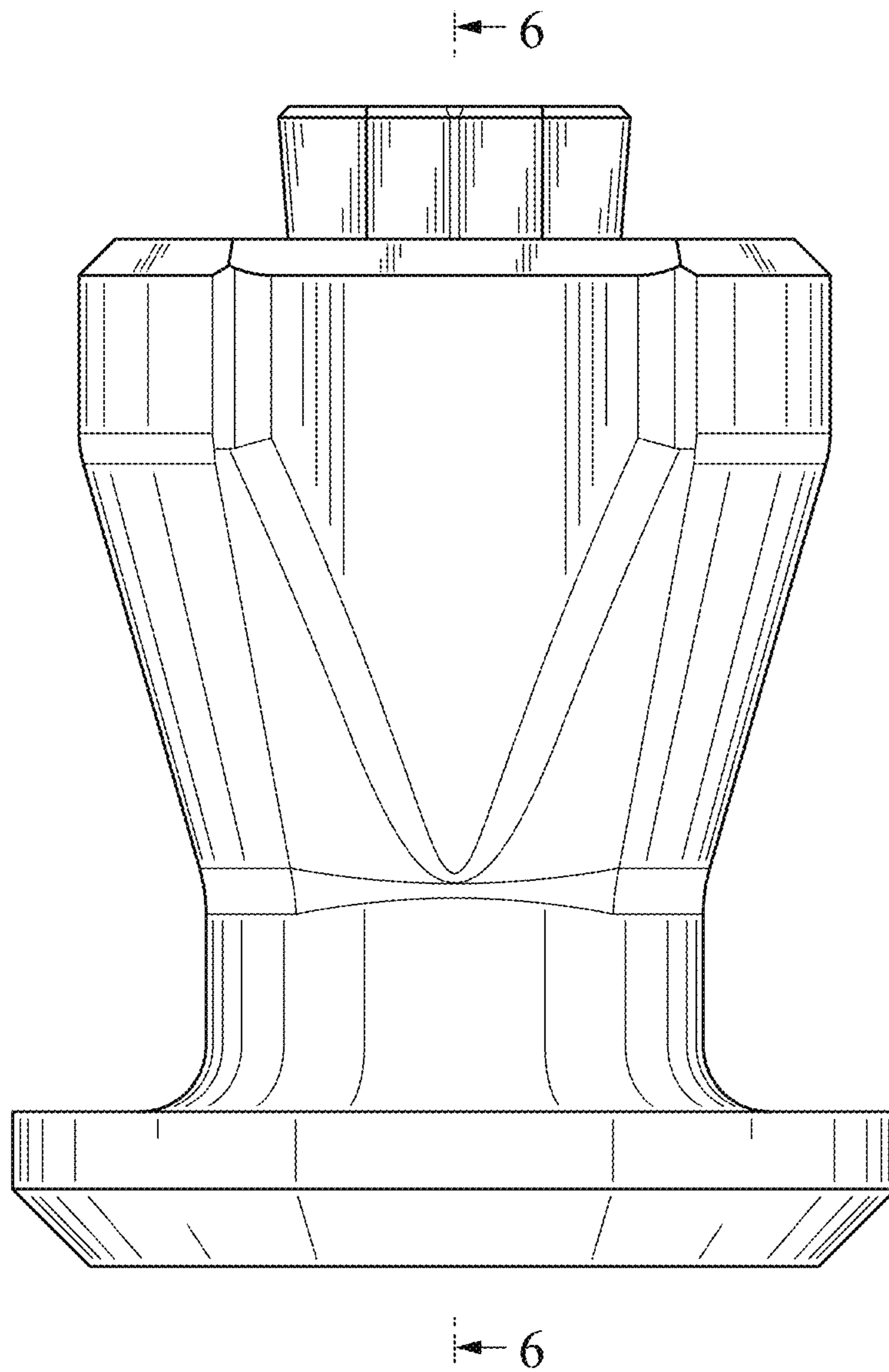


FIG. 3

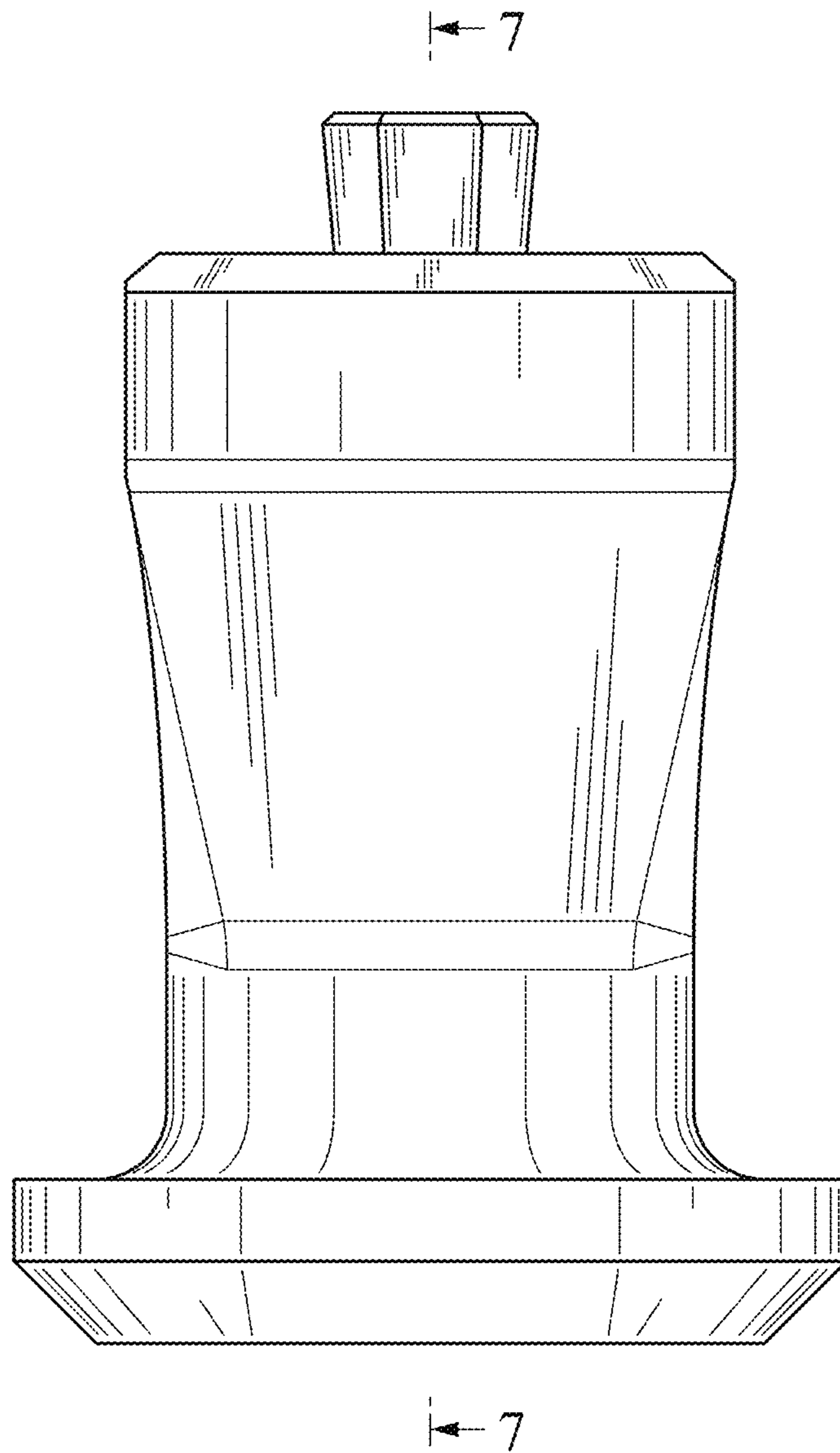


FIG. 4

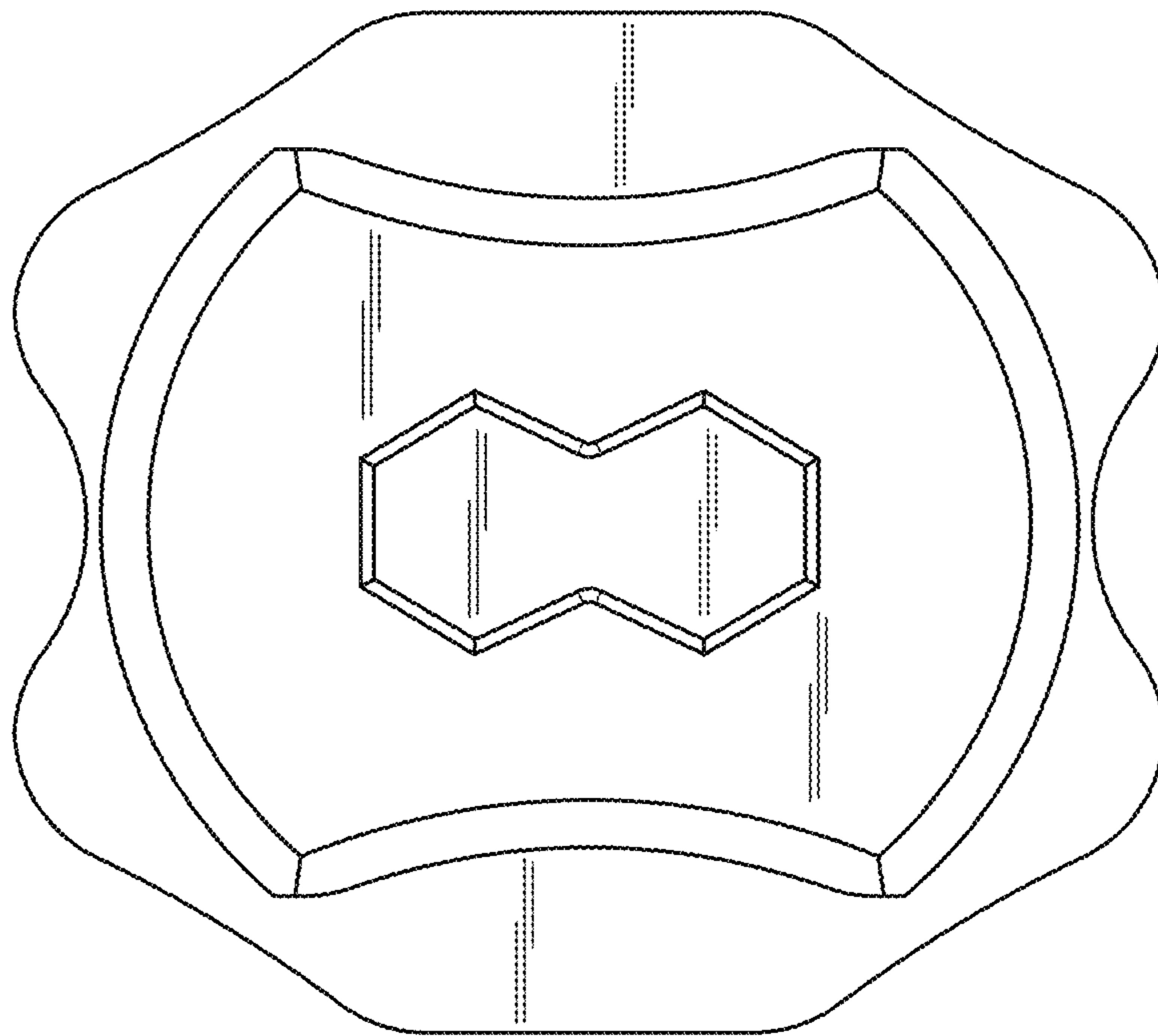


FIG. 5

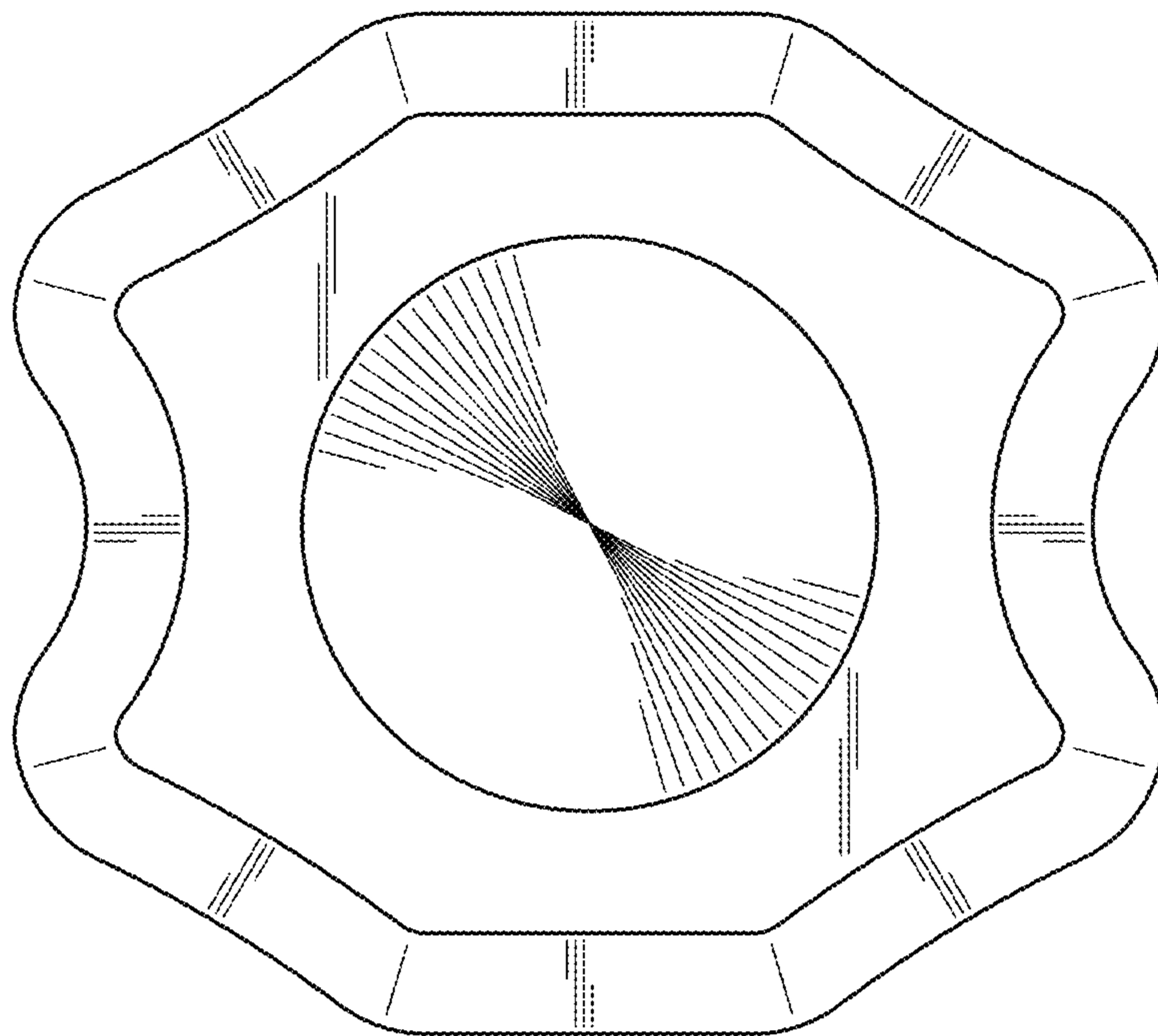


FIG. 6

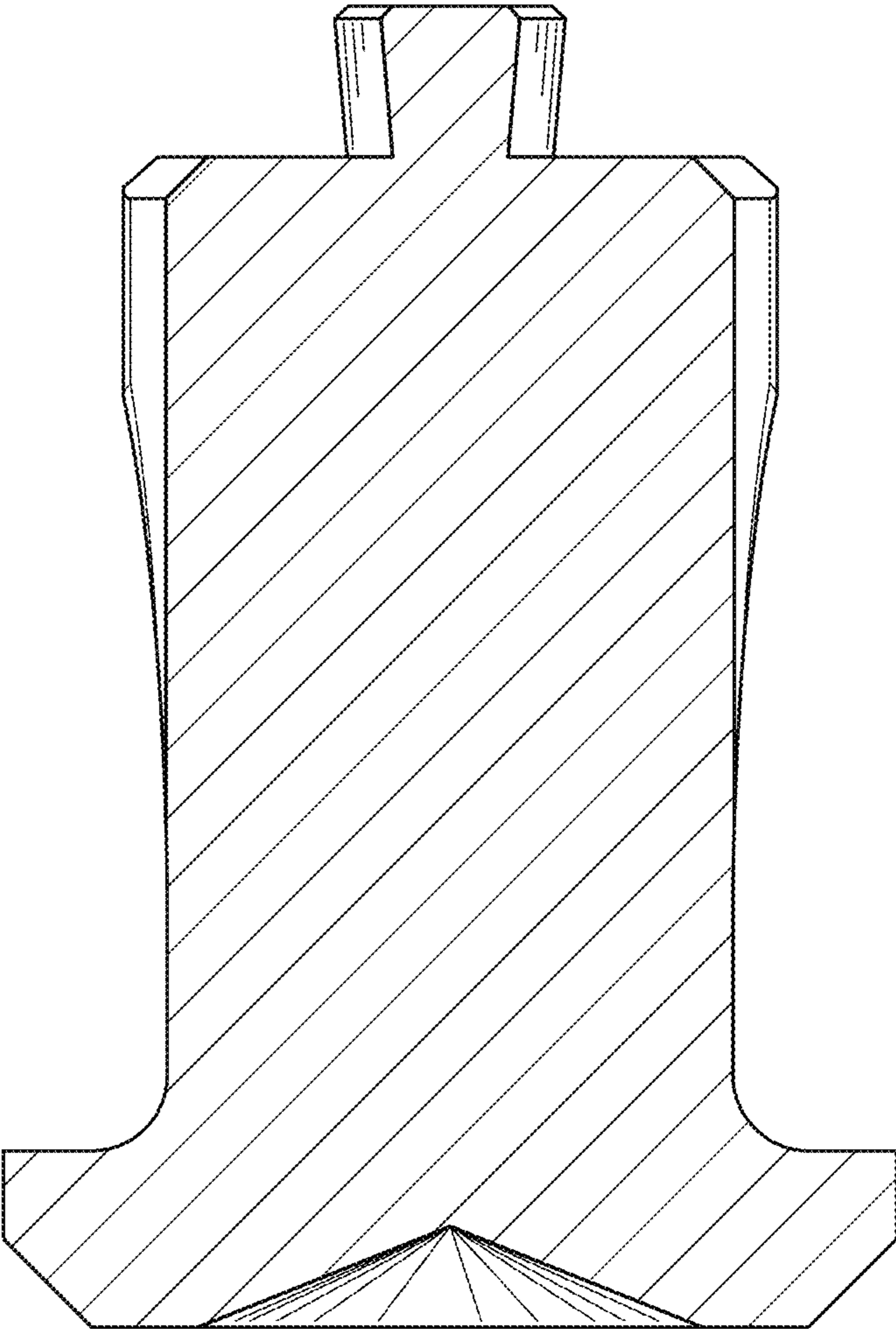


FIG. 7

