



US00D819554S

(12) **United States Design Patent**  
**Yasuda et al.**

(10) **Patent No.:** **US D819,554 S**  
(45) **Date of Patent:** **\*\* Jun. 5, 2018**

(54) **AUTOMOBILE TIRE**

(71) Applicant: **THE YOKOHAMA RUBBER CO., LTD.**, Minato-ku, Tokyo (JP)

(72) Inventors: **Ryuji Yasuda**, Hiratsuka (JP); **Mina Fukuda**, Hiratsuka (JP)

(73) Assignee: **THE YOKOHAMA RUBBER CO., LTD.**, Minato-ku, Tokyo (JP)

(\*\*) Term: **15 Years**

(21) Appl. No.: **29/589,920**

(22) Filed: **Jan. 5, 2017**

(30) **Foreign Application Priority Data**

Jul. 5, 2016 (JP) ..... 2016-014304

(51) **LOC (11) Cl.** ..... **12-15**

(52) **U.S. Cl.**  
USPC ..... **D12/584**

(58) **Field of Classification Search**  
USPC ..... D12/570, 582, 583, 584, 585, 596, 597,  
D12/598, 602, 603

CPC ..... B60C 11/03; B60C 2011/0344  
See application file for complete search history.

(56) **References Cited**

**U.S. PATENT DOCUMENTS**

D461,750 S *	8/2002	Janajreh	.....	D12/584
D470,454 S *	2/2003	Helt	.....	D12/582
D718,227 S *	11/2014	Honda	.....	D12/582
D721,643 S *	1/2015	Barrett	.....	D12/598

\* cited by examiner

*Primary Examiner* — Robert M. Spear

(74) *Attorney, Agent, or Firm* — Banner & Witcoff, Ltd.

(57) **CLAIM**

The ornamental design for an automobile tire, as shown and described.

**DESCRIPTION**

FIG. 1 is a perspective view of an automobile tire showing our design;

FIG. 2 is a front view thereof;

FIG. 3 is a rear view thereof;

FIG. 4 is a right side view thereof;

FIG. 5 is a left side view thereof;

FIG. 6 is a top view thereof;

FIG. 7 is a bottom view thereof;

FIG. 8 is a partially enlarged view of a portion defined by lines 8-8 shown in FIG. 1;

FIG. 9 is a partially enlarged view of a portion defined by lines 9-9 shown in FIG. 2; and,

FIG. 10 is a cross sectional view of a portion defined by lines 10-10 shown in FIG. 9.

In the drawings, the broken lines depict environmental subject matter only and form no part of the claimed design.

**1 Claim, 10 Drawing Sheets**

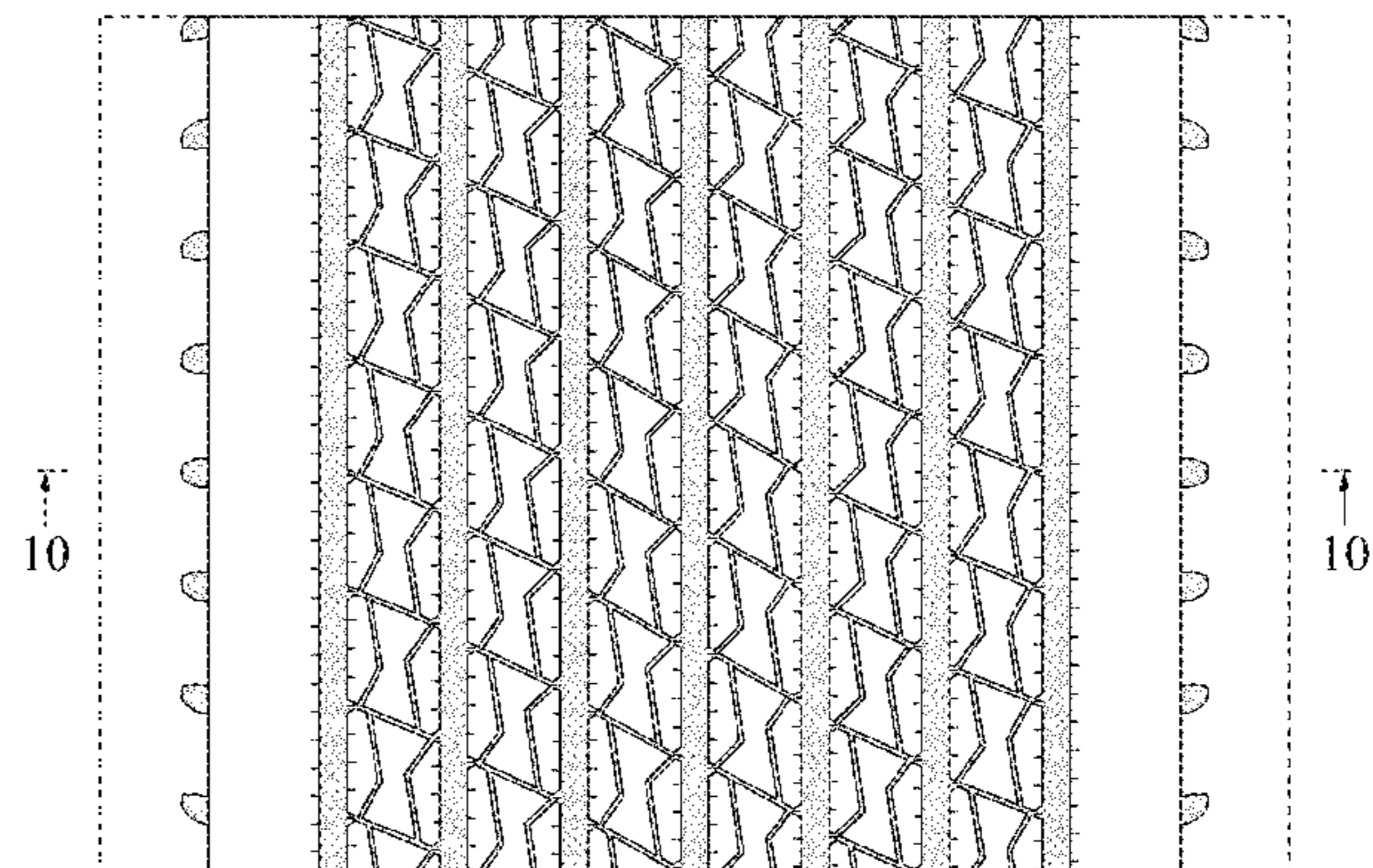
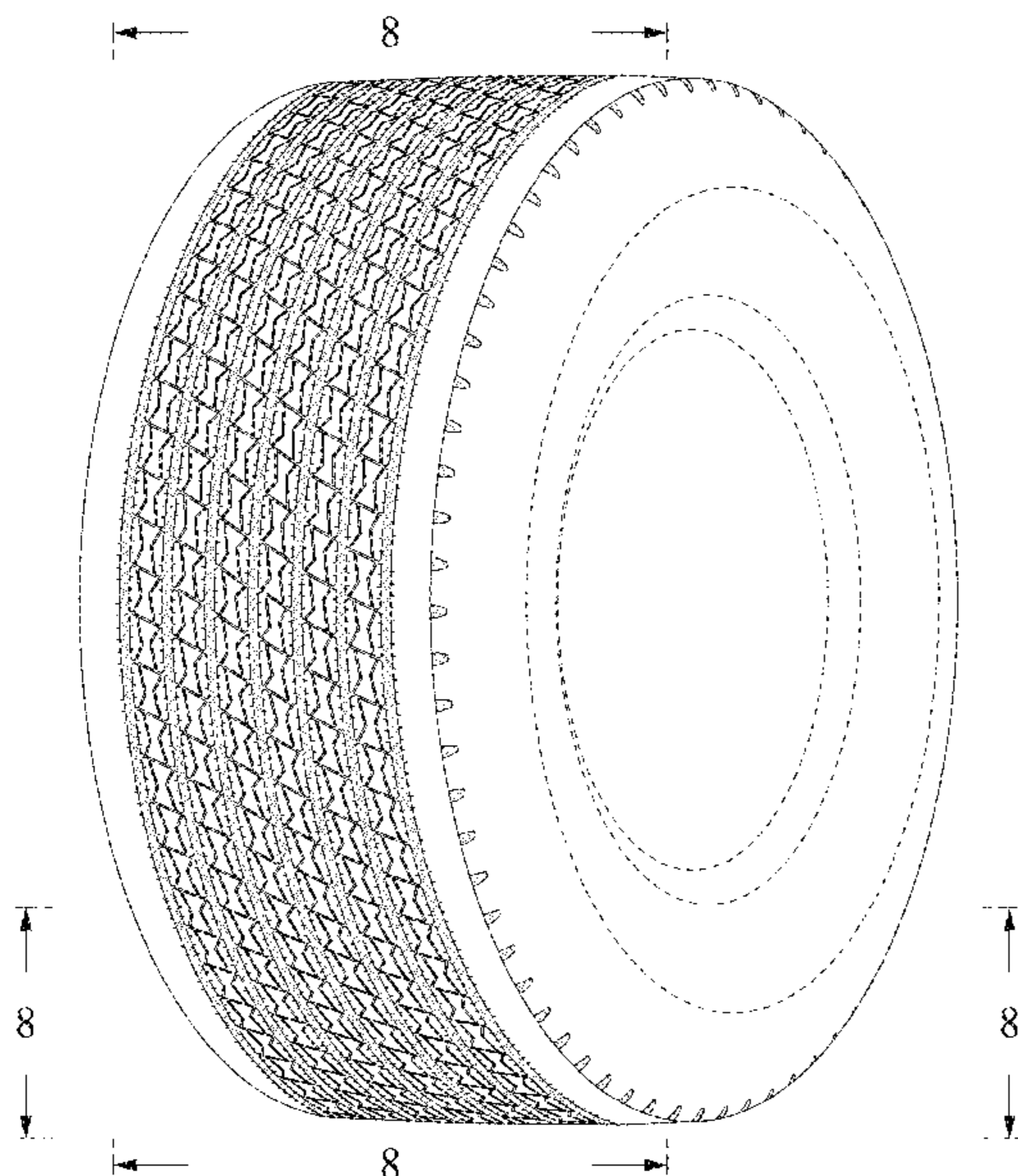
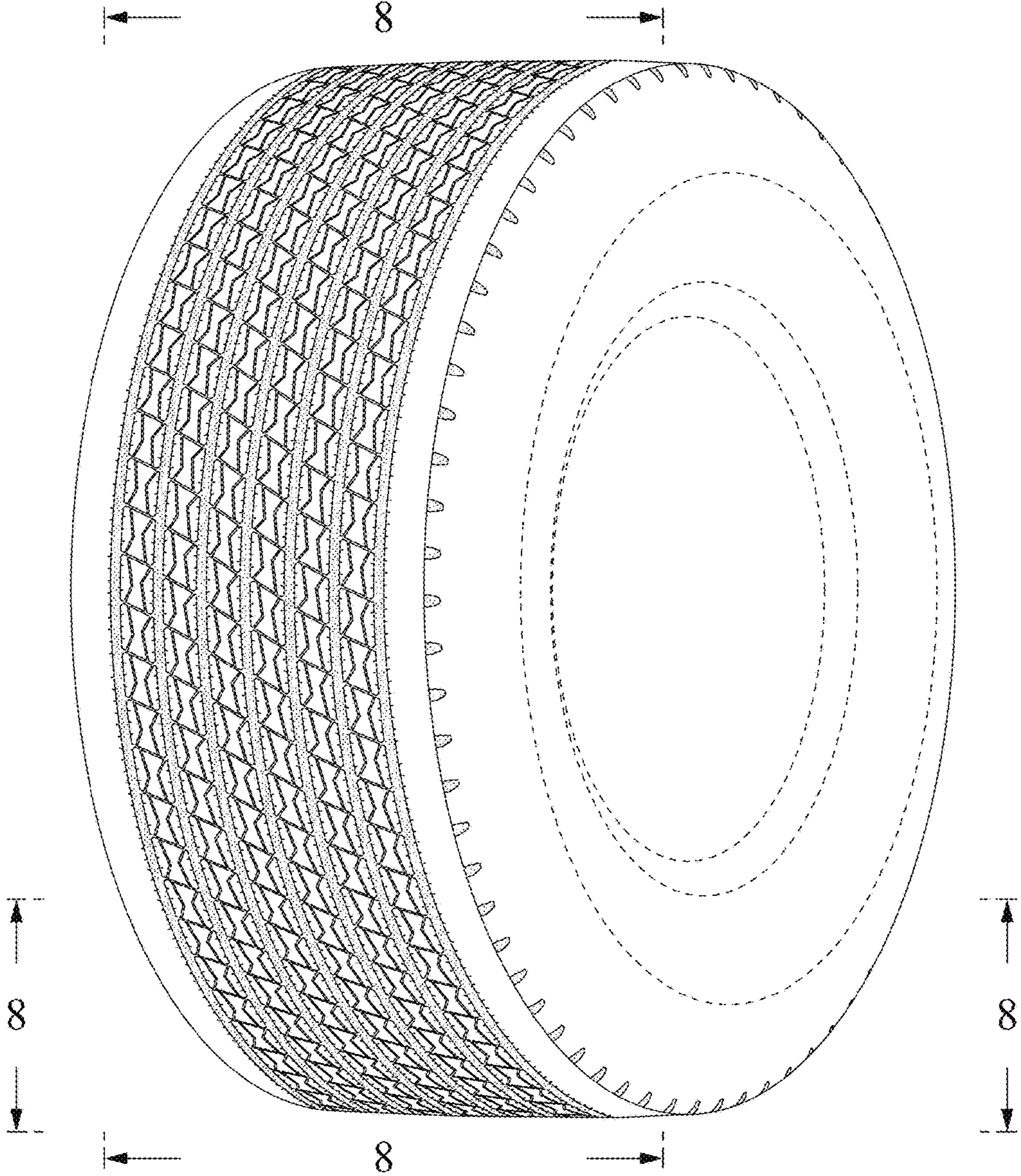
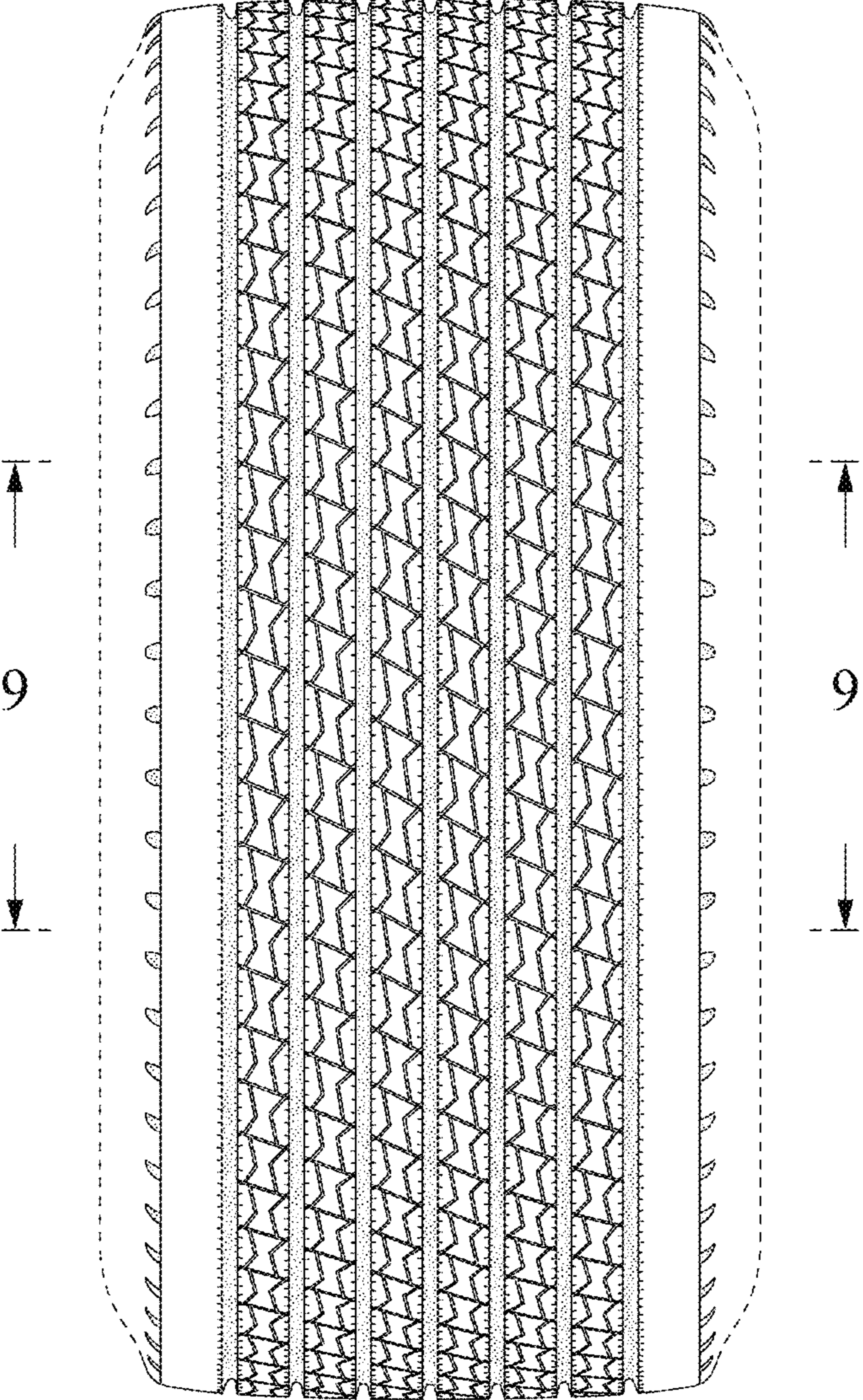


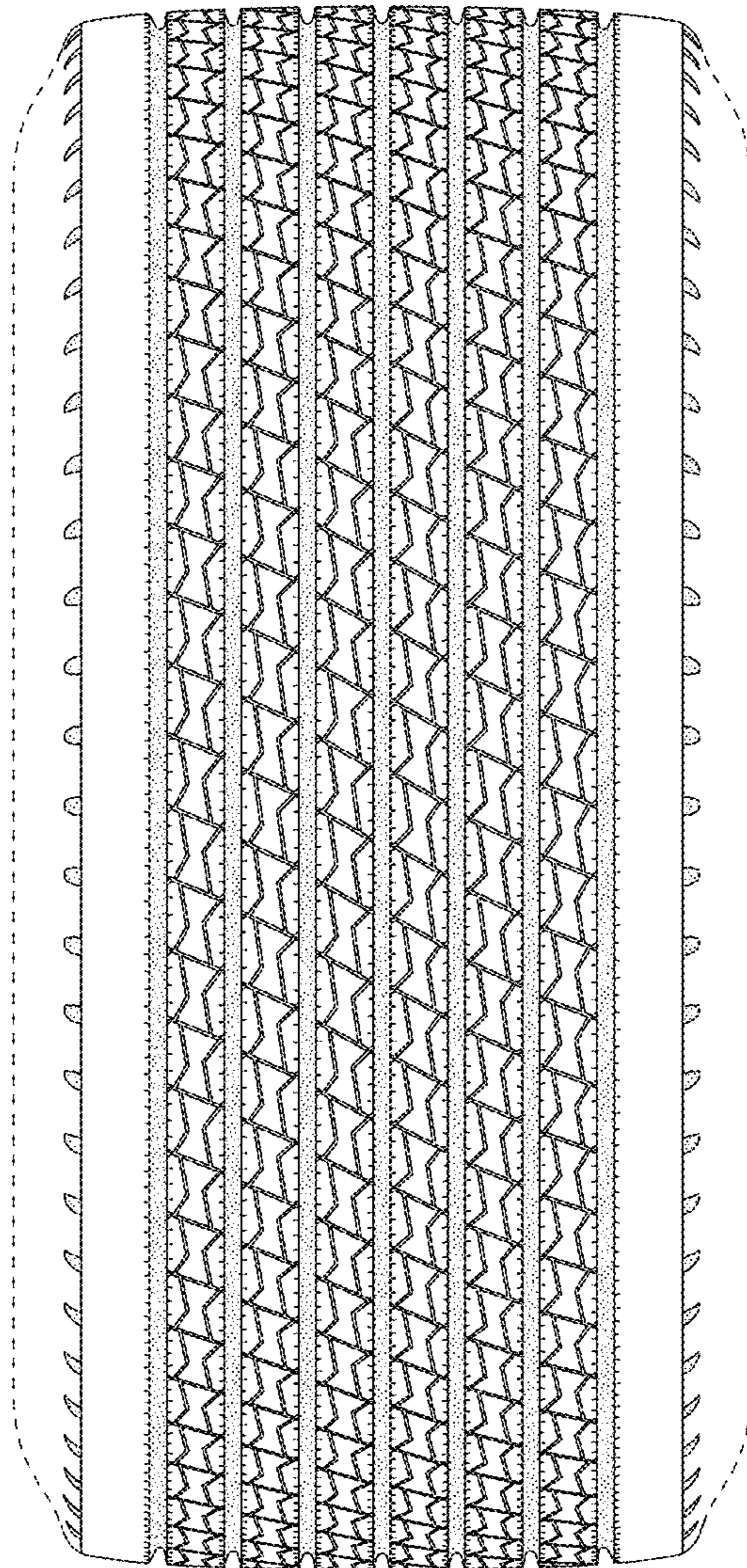
FIG. 1



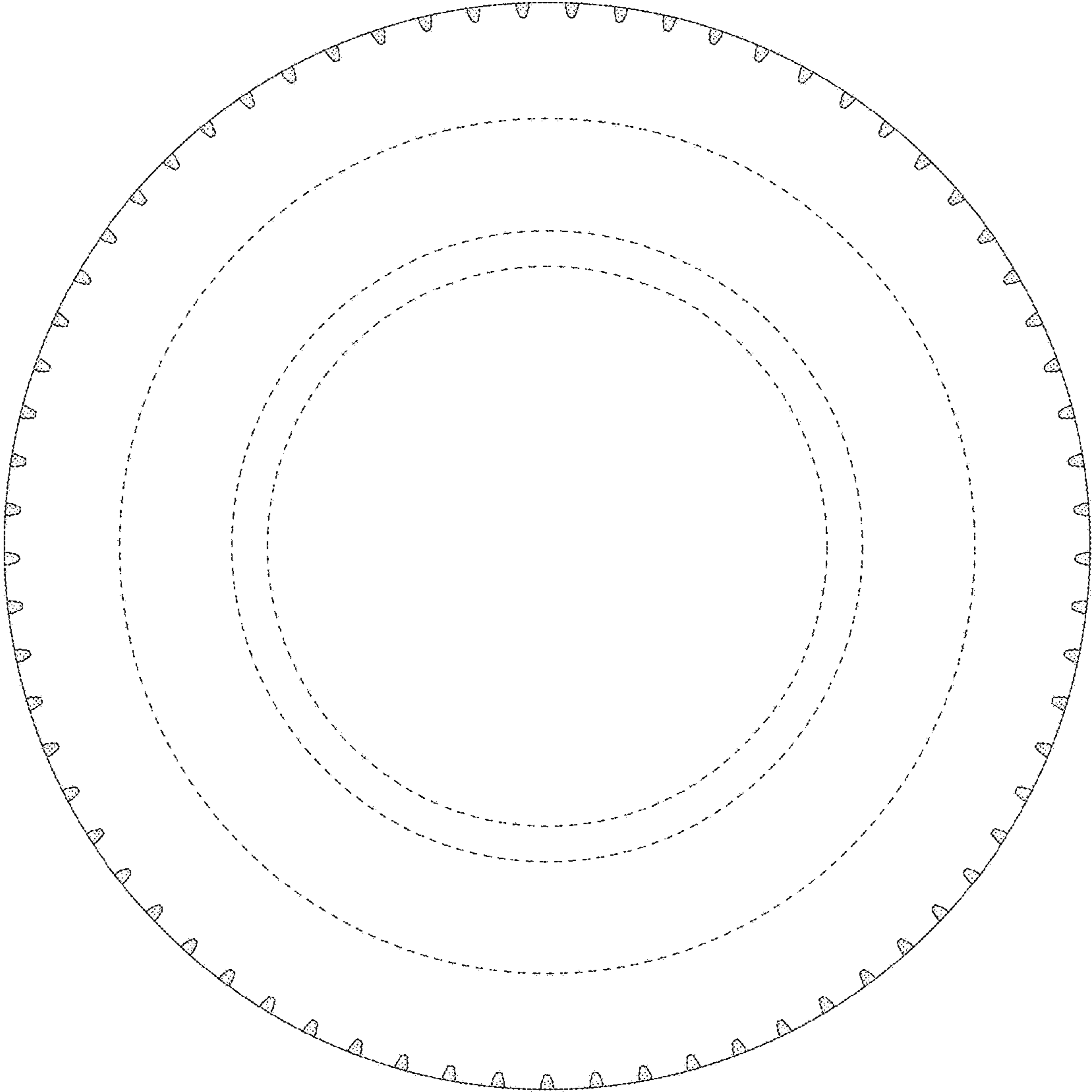
**FIG. 2**



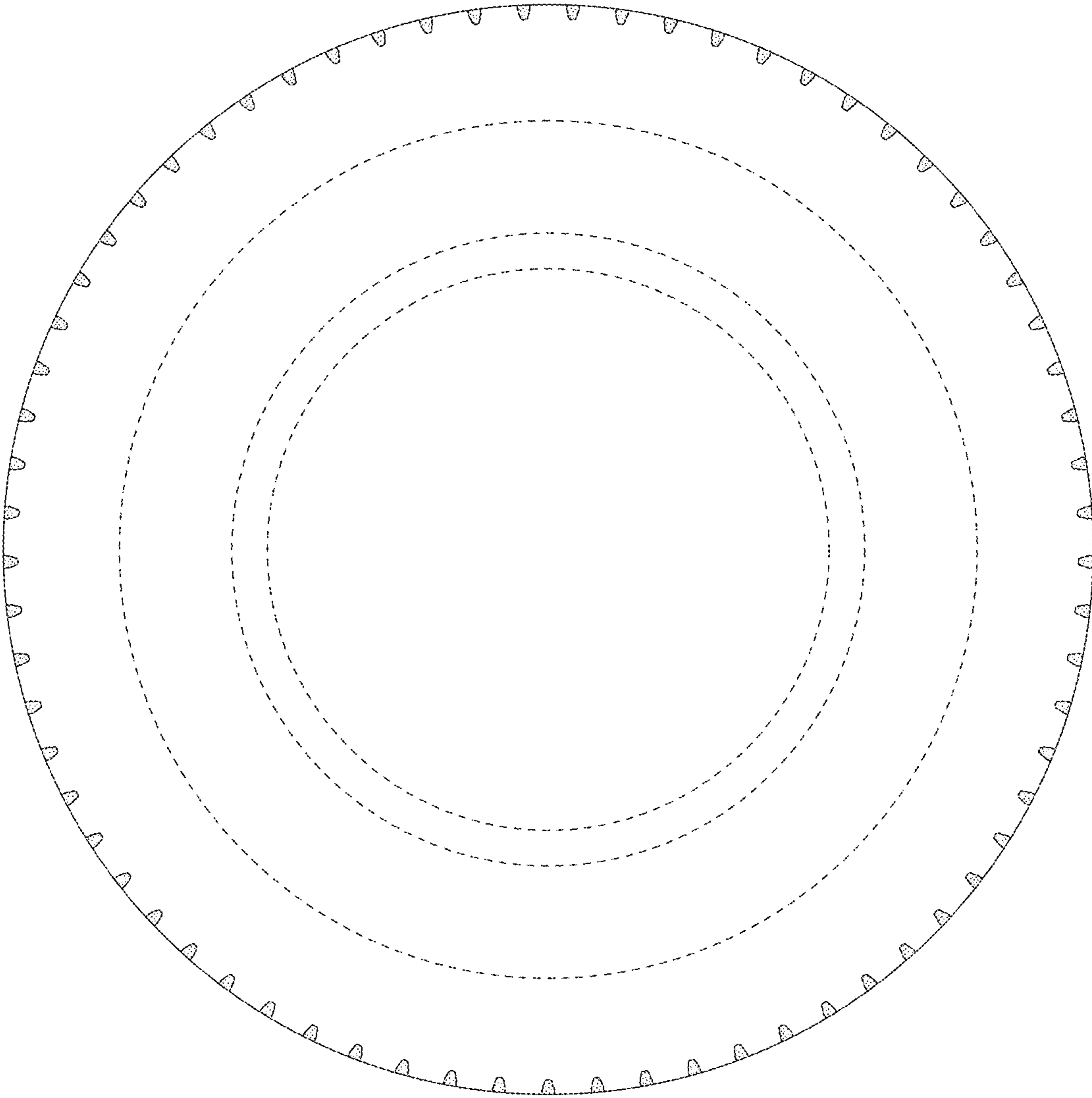
**FIG. 3**



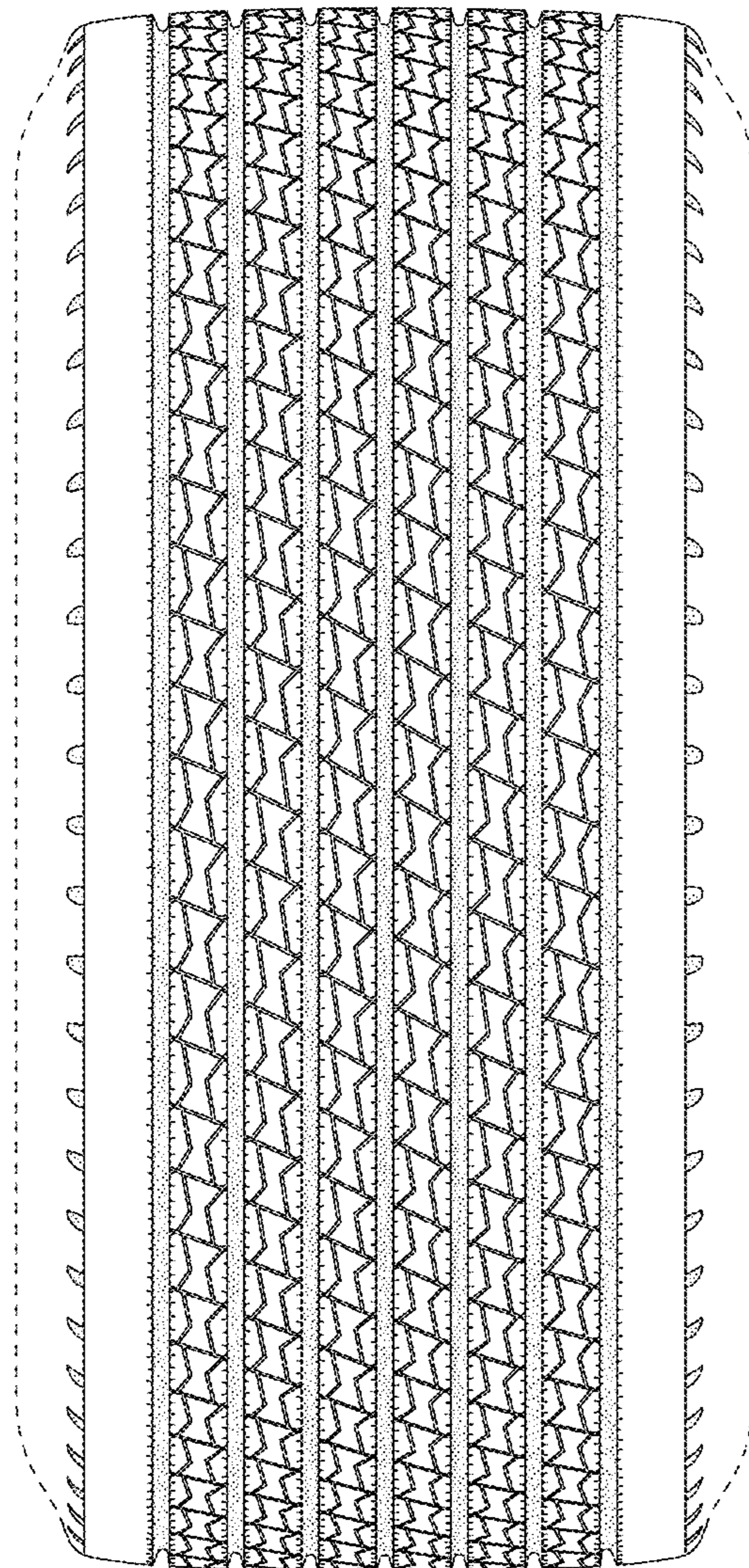
**FIG. 4**



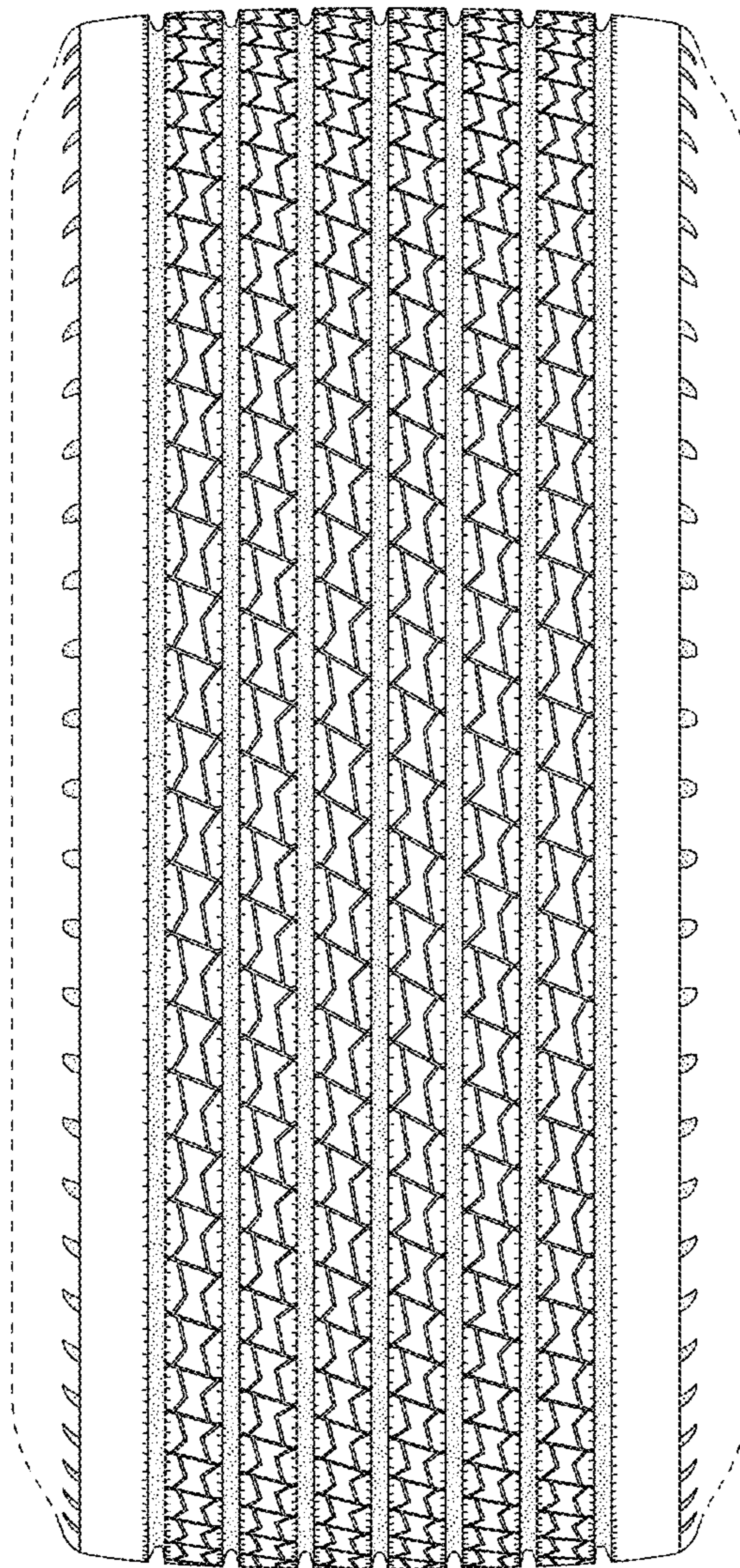
**FIG. 5**



**FIG. 6**



**FIG. 7**





**FIG. 8**

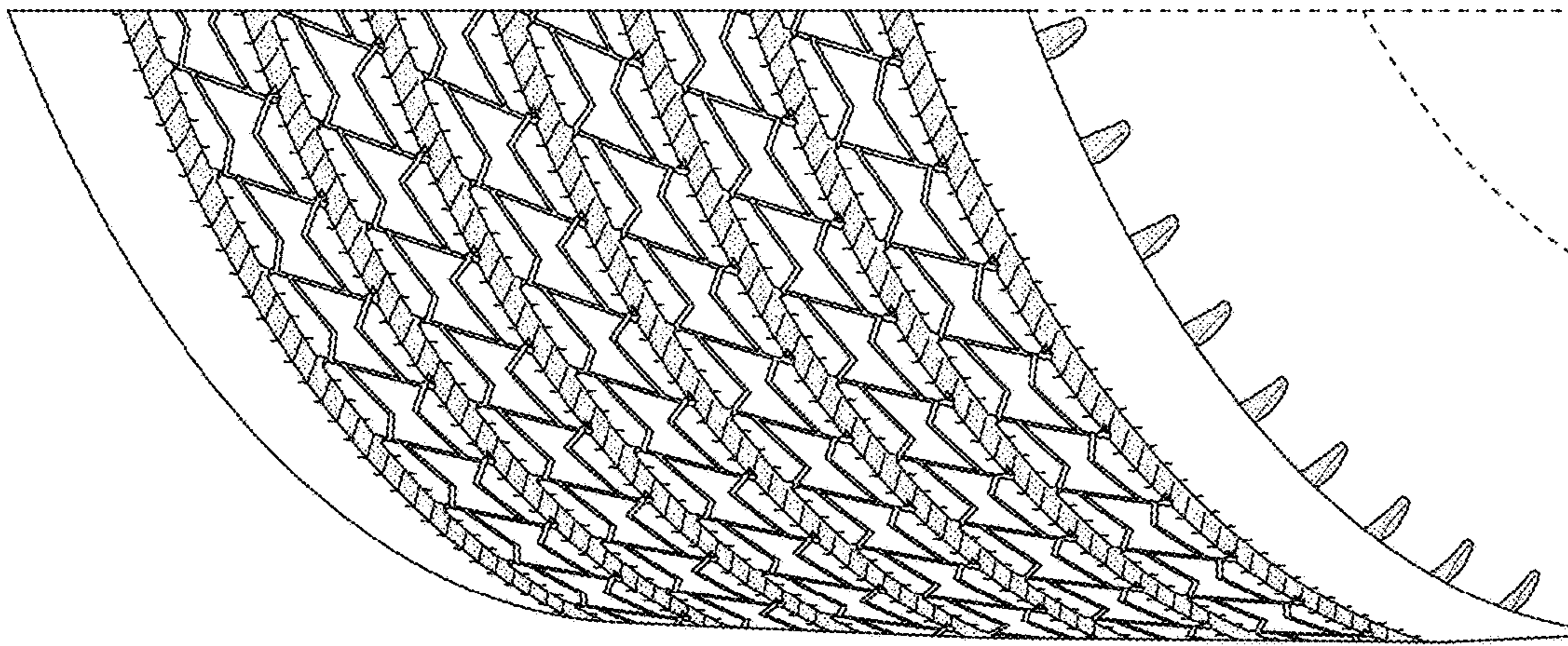
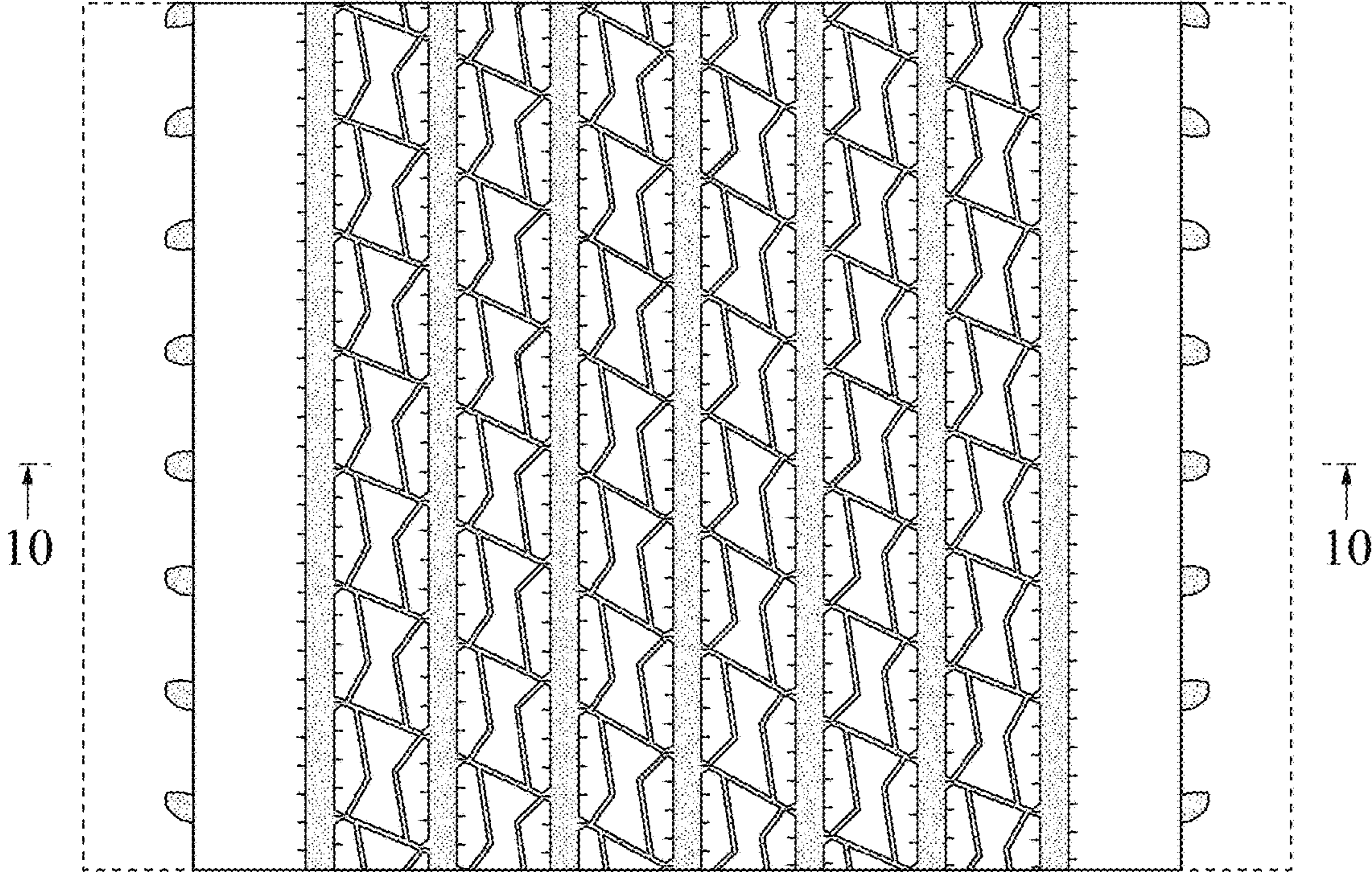


FIG. 9



**FIG. 10**

