



US00D819546S

(12) **United States Design Patent**
Suzuki et al.

(10) **Patent No.:** **US D819,546 S**
(45) **Date of Patent:** **** Jun. 5, 2018**

- (54) **AUTOMOBILE TIRE**
- (71) Applicant: **THE YOKOHAMA RUBBER CO., LTD.**, Minato-ku, Tokyo (JP)
- (72) Inventors: **Takumi Suzuki**, Hiratsuka (JP);
Takumi Morito, Tokyo (JP)
- (73) Assignee: **THE YOKOHAMA RUBBER CO., LTD.**, Minato-ku, Tokyo (JP)
- (**) Term: **15 Years**
- (21) Appl. No.: **29/590,016**
- (22) Filed: **Jan. 6, 2017**
- (30) **Foreign Application Priority Data**

- Jul. 8, 2016 (JP) 2016-014602
- (51) **LOC (11) Cl.** **12-15**
- (52) **U.S. Cl.**
USPC **D12/516**
- (58) **Field of Classification Search**
USPC D12/500-532
CPC Y10T 152/10027; B60C 1/0016; B60C 11/0306; B60C 11/0302; B60C 3/06; B60C 9/17
See application file for complete search history.

- (56) **References Cited**
U.S. PATENT DOCUMENTS
- D650,734 S * 12/2011 Mita D12/517
- D660,222 S * 5/2012 Kim D12/519
- D666,964 S * 9/2012 Ishida D12/519

- D696,182 S * 12/2013 Sakamoto D12/519
- D725,584 S * 3/2015 Ropars D12/516
- D758,953 S * 6/2016 Ebiko B60C 11/0309
D12/515
- D761,716 S * 7/2016 Albouy D12/518
- D782,958 S * 4/2017 Sareen D12/519
- D786,773 S * 5/2017 Raatikainen D12/519
- D800,636 S * 10/2017 Morita D12/516

* cited by examiner

Primary Examiner — Robert M. Spear
Assistant Examiner — John A Voytek
(74) *Attorney, Agent, or Firm* — Banner & Witcoff, Ltd.

(57) **CLAIM**

The ornamental design for an automobile tire, as shown and described.

DESCRIPTION

FIG. 1 is a perspective view of an automobile tire showing our design;
 FIG. 2 is a front view thereof;
 FIG. 3 is a rear view thereof;
 FIG. 4 is a right side view thereof;
 FIG. 5 is a left side view thereof;
 FIG. 6 is a top view thereof;
 FIG. 7 is a bottom view thereof;
 FIG. 8 is a partially enlarged view of a portion defined by lines 8-8 shown in FIG. 1;
 FIG. 9 is a partially enlarged view of a portion defined by lines 9-9 shown in FIG. 2; and,
 FIG. 10 is a cross sectional view of a portion defined by lines 10-10 shown in FIG. 9.
 In the drawings, the broken lines depict environmental subject matter only and form no part of the claimed design.

1 Claim, 10 Drawing Sheets

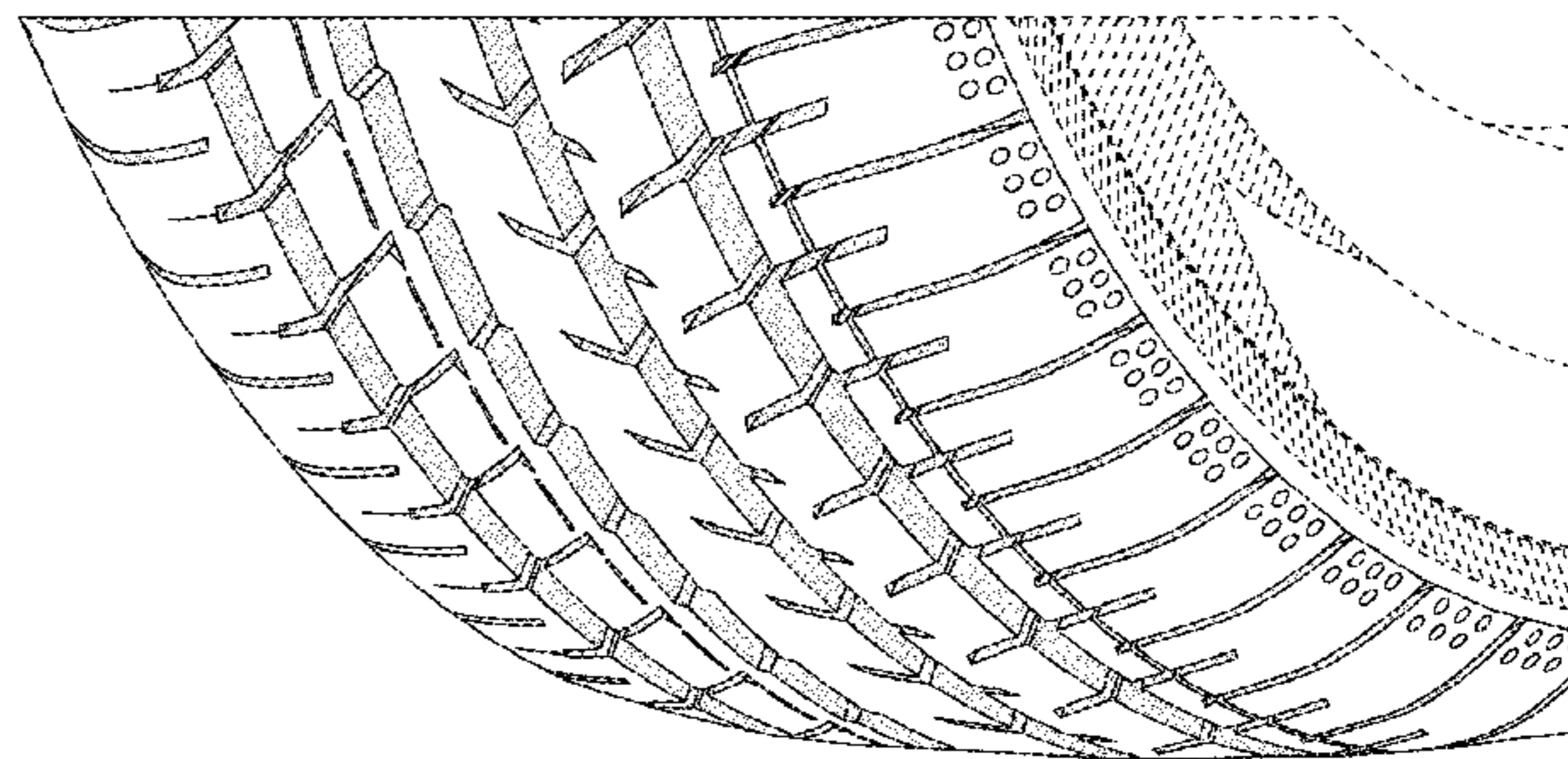
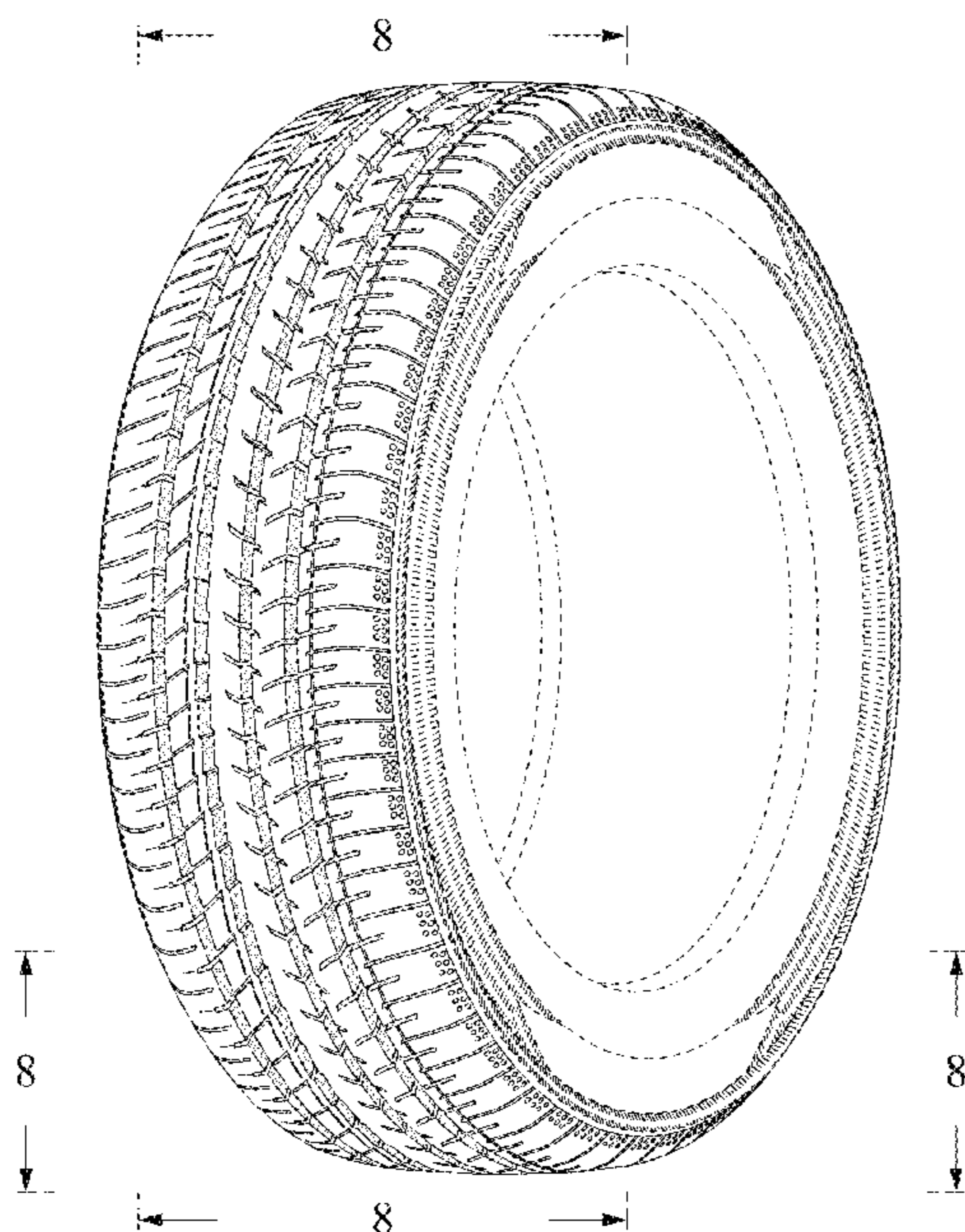


FIG. 1

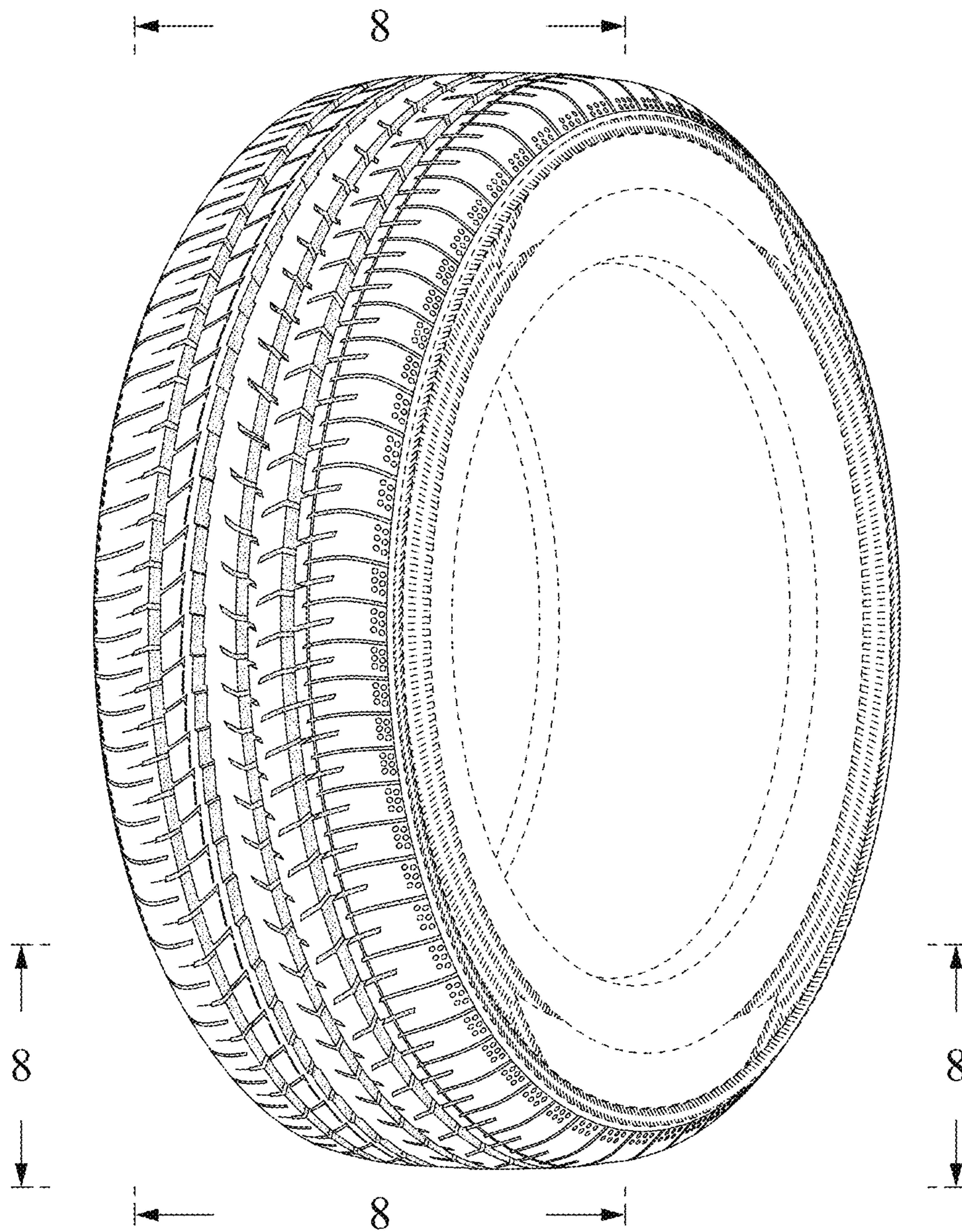


FIG. 2

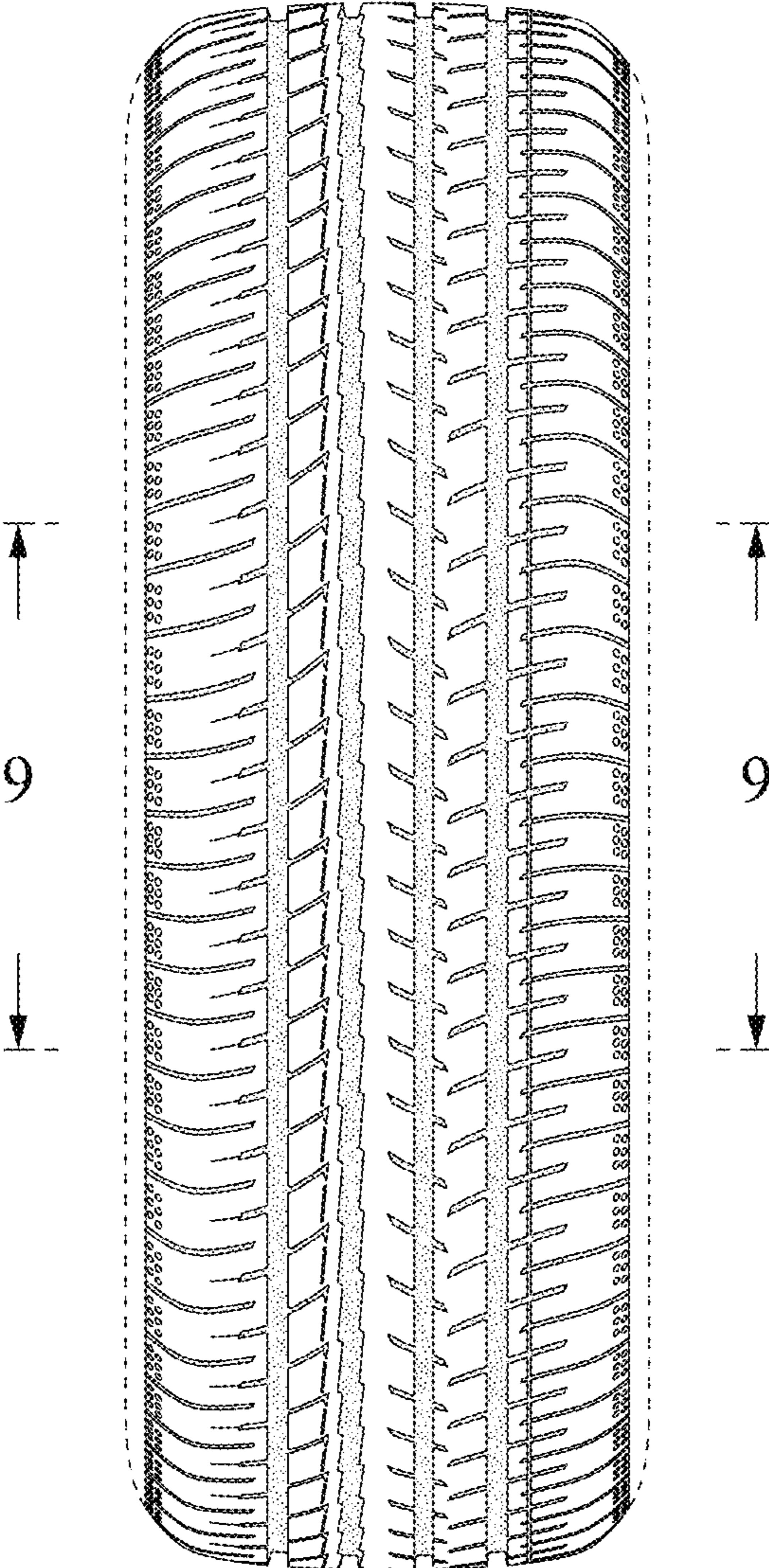


FIG. 3

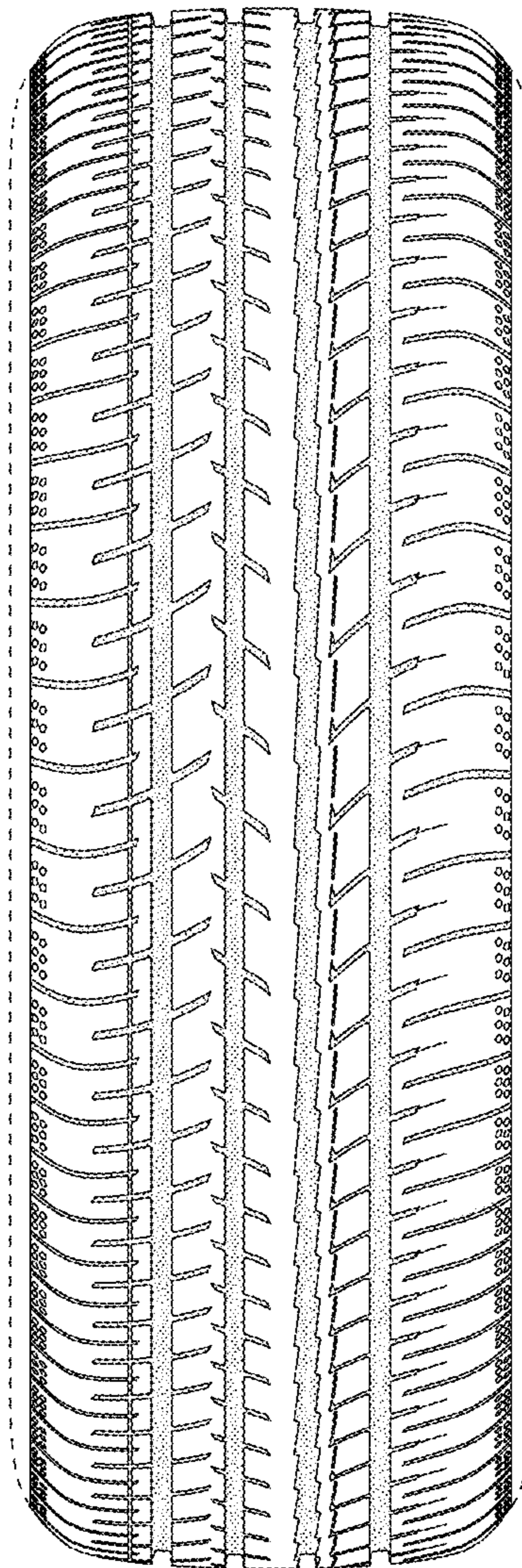


FIG. 4

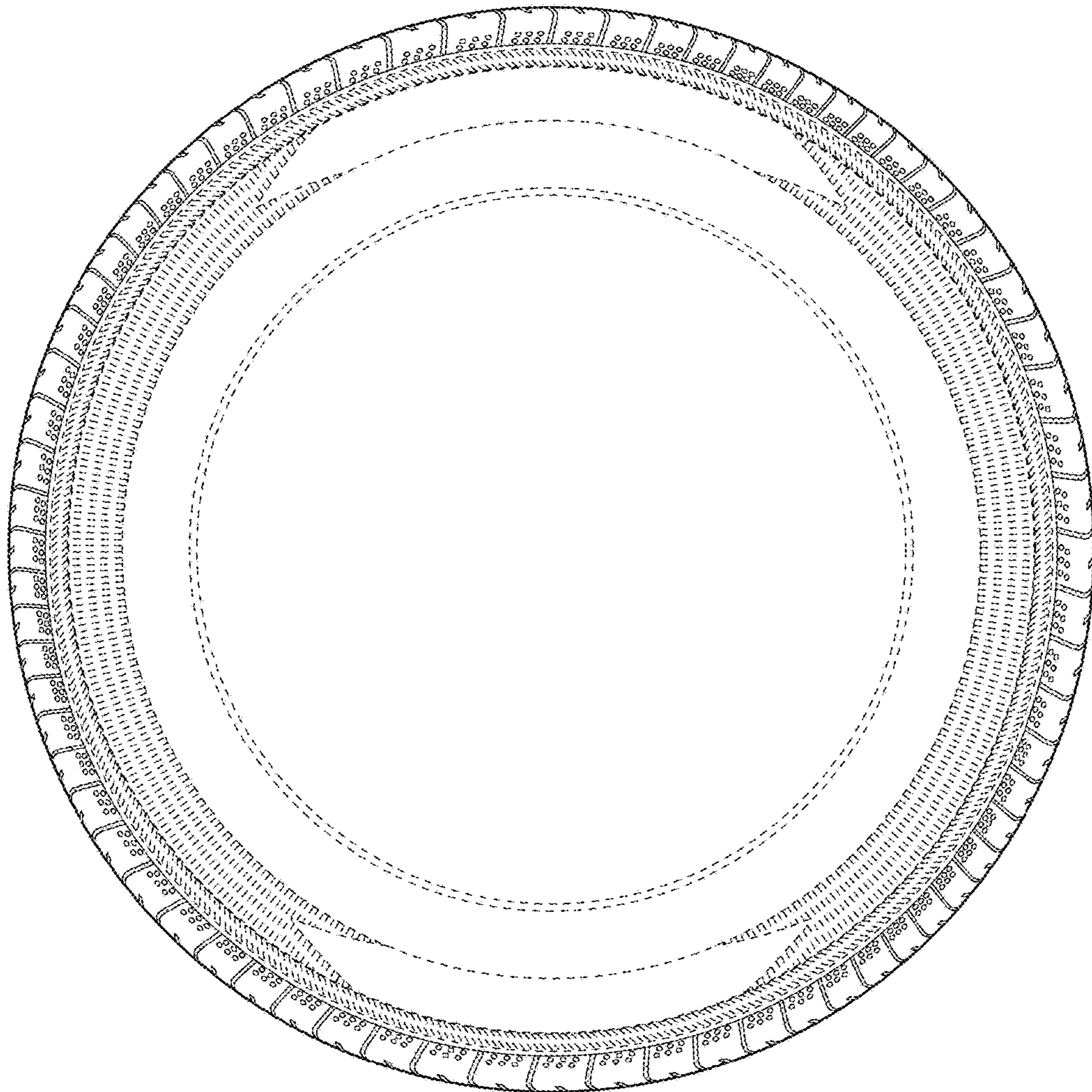


FIG. 5

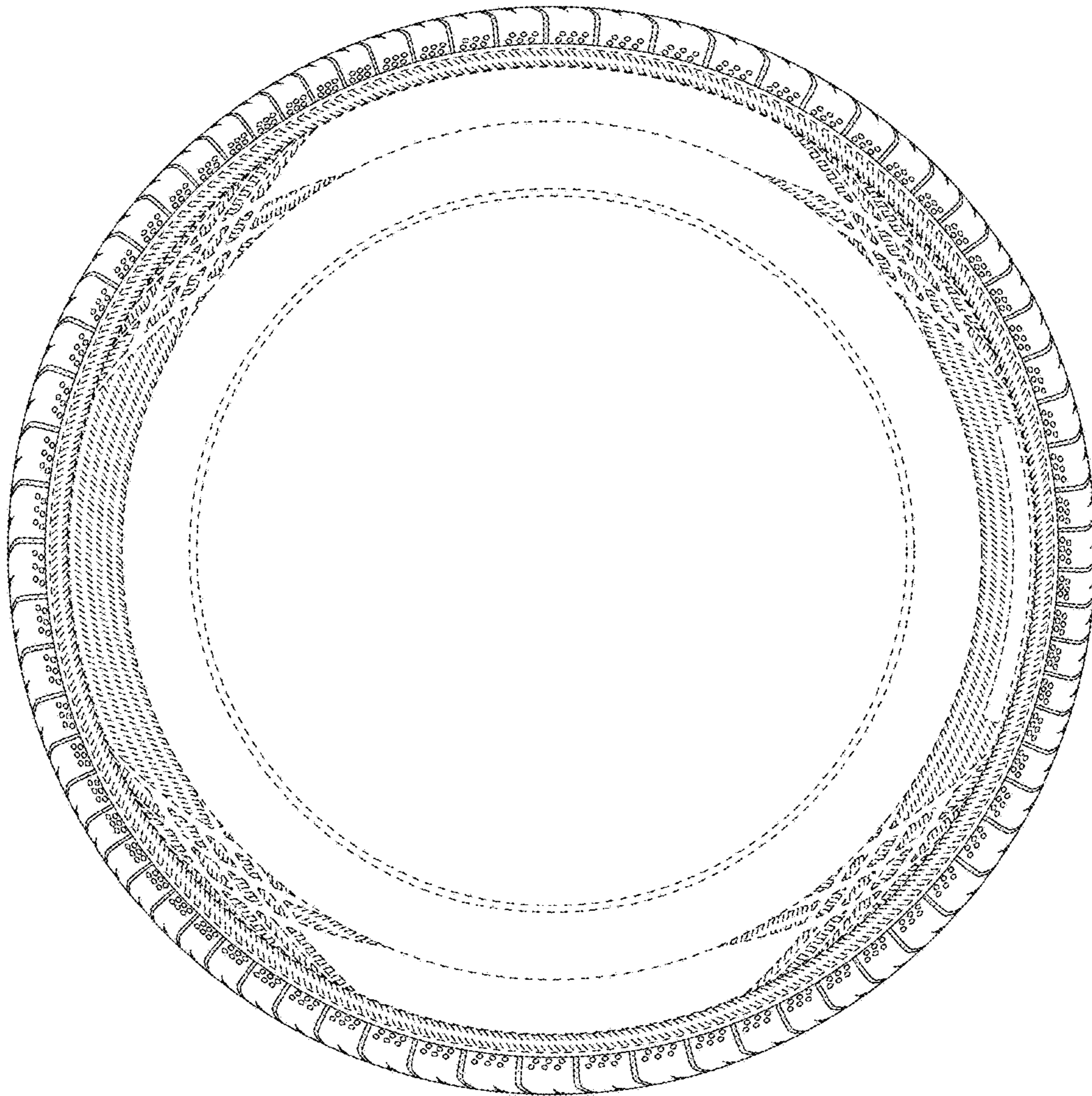


FIG. 6

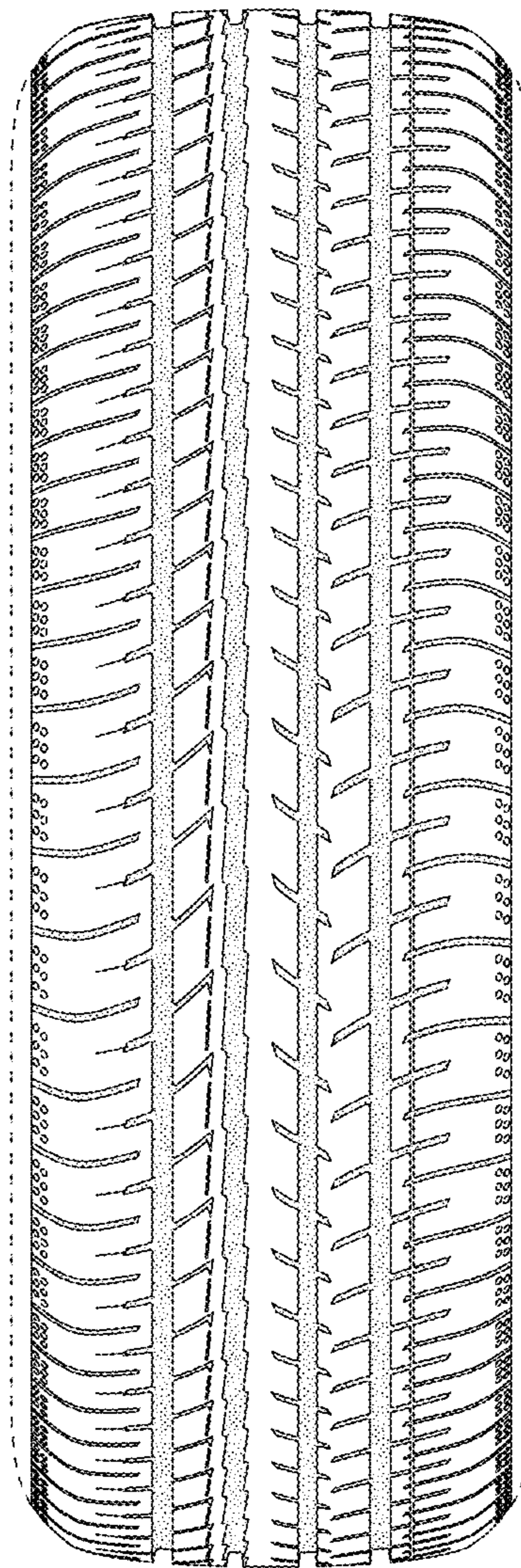


FIG. 7

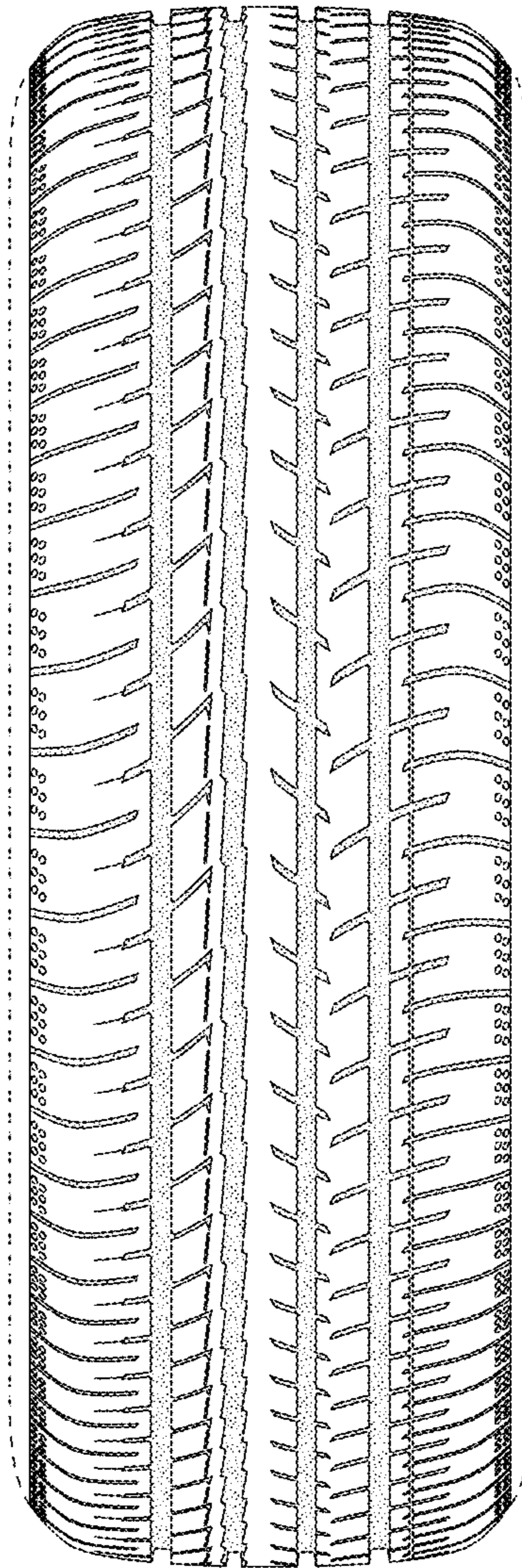


FIG. 8

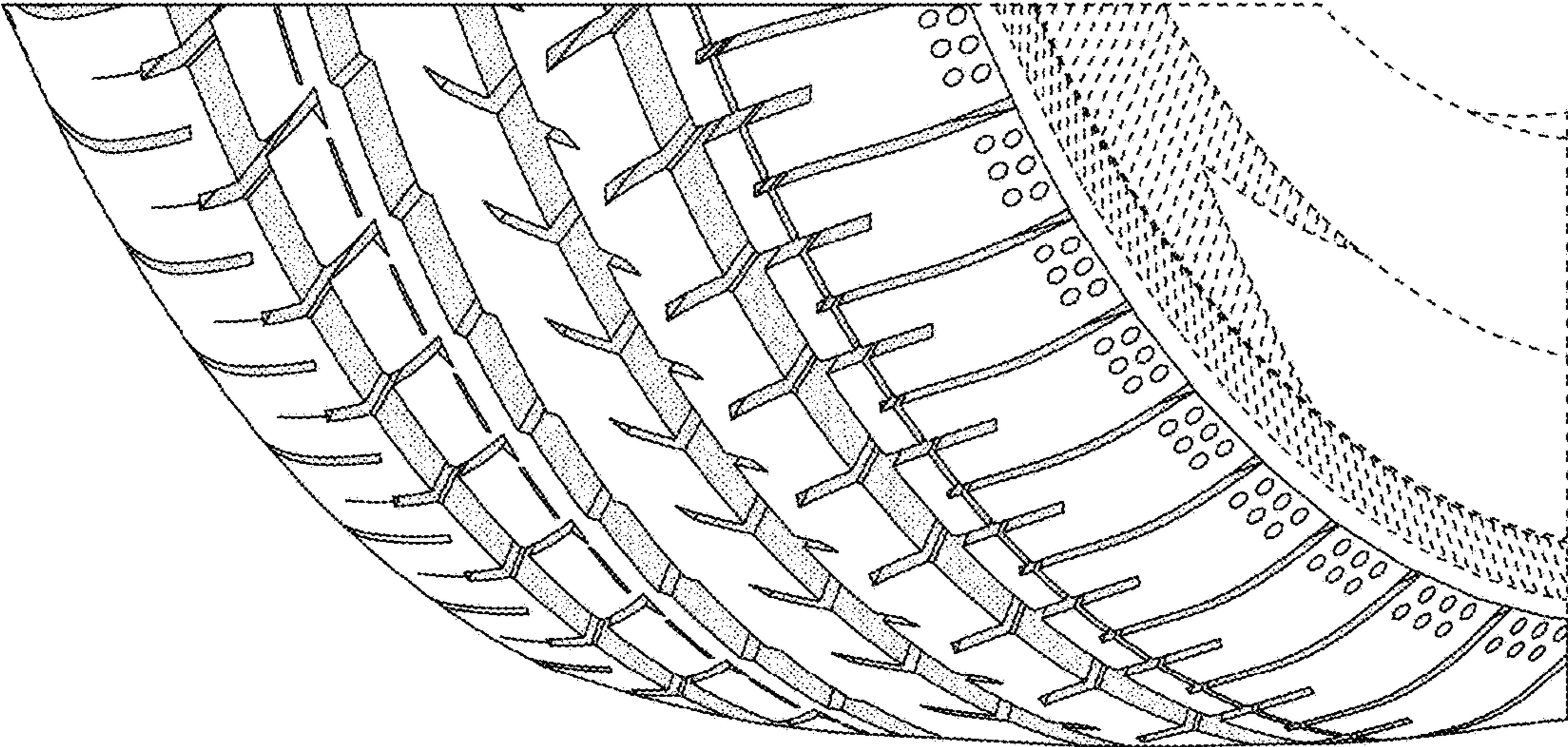


FIG. 9

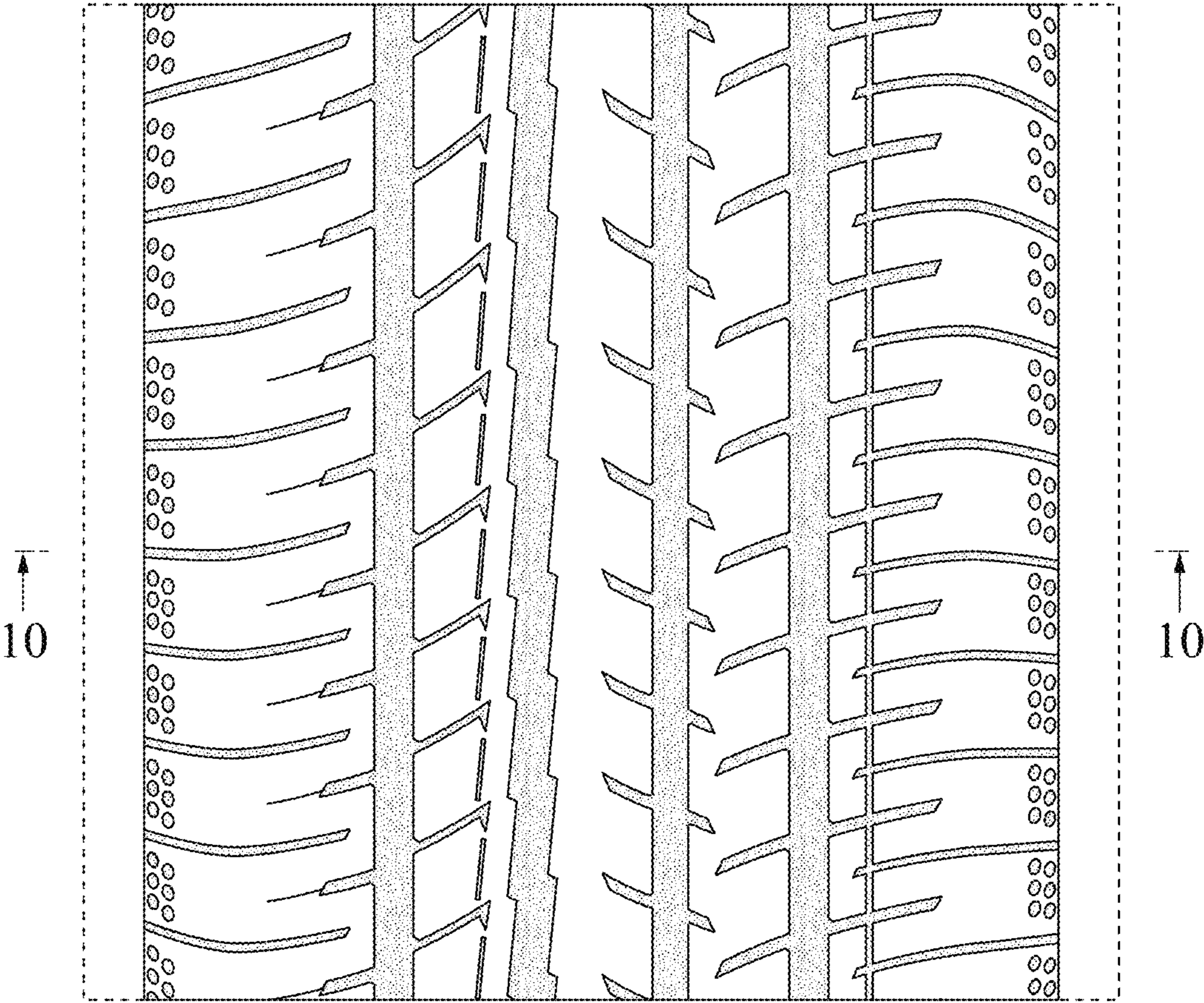


FIG. 10

