

US00D819545S

(12) **United States Design Patent**
O'Connor

(10) **Patent No.:** **US D819,545 S**

(45) **Date of Patent:** **** Jun. 5, 2018**

(54) **CAR ORGANIZER**

(71) Applicant: **Susan O'Connor**, Muskego, WI (US)

(72) Inventor: **Susan O'Connor**, Muskego, WI (US)

(**) Term: **15 Years**

(21) Appl. No.: **29/596,911**

(22) Filed: **Mar. 13, 2017**

(51) **LOC (11) Cl.** **12-16**

(52) **U.S. Cl.**
USPC **D12/416; D3/273**

(58) **Field of Classification Search**
USPC D3/203.1, 215, 217, 226, 233, 232, 273,
D3/274, 276, 283, 285, 289, 304, 305,
D3/902; D12/416, 422, 425, 423
CPC B65D 21/084; A45C 7/009; A45C 7/0036;
A45C 7/0081; A45C 2003/008; A45C
3/00; A45C 5/005; A45C 7/0059
See application file for complete search history.

(56) **References Cited**

U.S. PATENT DOCUMENTS

D253,556 S *	12/1979	D'Alo	D3/203.7
D428,255 S *	7/2000	Kandalepas	D3/273
D432,298 S *	10/2000	Markowitz	D3/216
6,223,870 B1 *	5/2001	Godshaw	A45C 7/0077
				190/107
6,575,273 B1 *	6/2003	Bergkvist	A45C 3/00
				190/111
D505,012 S *	5/2005	Godshaw	D3/287
D665,169 S *	8/2012	Filip	D3/283
D673,362 S *	1/2013	Presman	D3/216
D763,569 S *	8/2016	Tal	D3/232
D767,877 S *	10/2016	Halko	D3/203.1
D784,015 S *	4/2017	Woodhouse	D3/276
D784,908 S *	4/2017	Kalchuri	D12/416
D795,789 S *	8/2017	Ehtesham	D12/425
D799,823 S *	10/2017	Schartle	D3/285
D803,563 S *	11/2017	Leblanc	D3/289

OTHER PUBLICATIONS

Amazon, "My Specialty Kids Shop Kids Backseat Organizer Holds Crayons Markers an iPad Kindle or Other Tablet", First reviewed Jun. 27, 2016. (<https://www.amazon.com/Kids-Backseat-Organizer-Crayons-Electronics/dp/B01DJRQY6/>).*

(Continued)

Primary Examiner — Jennifer Rivard

Assistant Examiner — April Rivas

(57) **CLAIM**

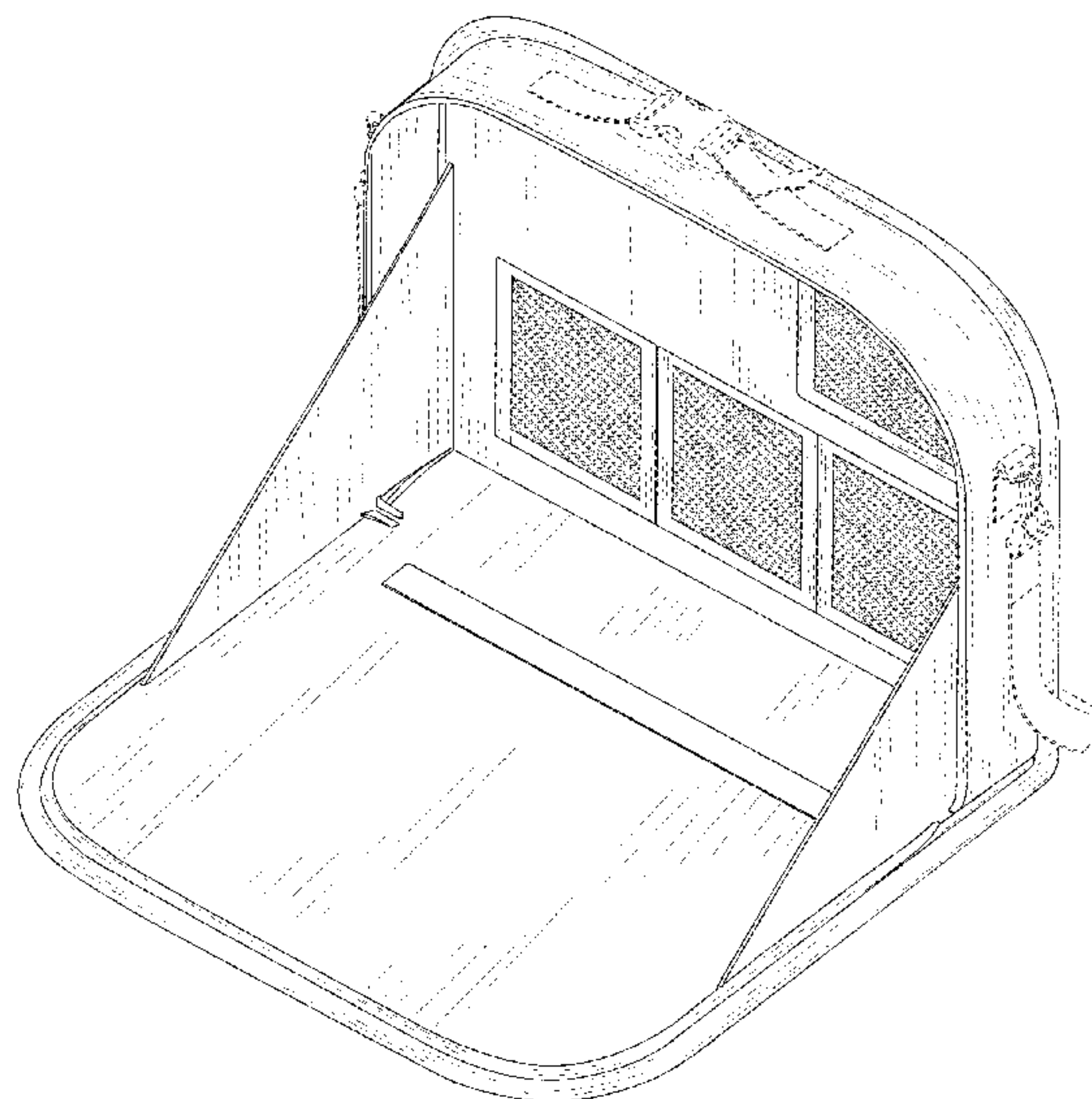
The ornamental design for a car organizer, as shown and described.

DESCRIPTION

FIG. 1 is a perspective view of a car organizer; FIG. 2 is a front elevational view thereof; FIG. 3 is a rear elevational view thereof; FIG. 4 is a left side elevational view thereof; FIG. 5 is a right side elevational view thereof; FIG. 6 is a top plan view thereof; FIG. 7 is a bottom plan view thereof; FIG. 8 is a top perspective view a car organizer wherein a front panel is opened to reveal a plurality of pockets; FIG. 9 is a bottom perspective view thereof; FIG. 10 is a front elevational view thereof; FIG. 11 is a rear elevational view thereof; FIG. 12 is a left side elevational view thereof; FIG. 13 is a right side elevational view thereof; FIG. 14 is a top plan view thereof; and, FIG. 15 is a bottom plan view thereof.

The broken line showing of straps and buckles is included for the purpose of illustrating environmental structure and forms no part of the claimed design.

1 Claim, 15 Drawing Sheets



(56)

References Cited

OTHER PUBLICATIONS

Amazon, "AutoEC Kids Backseat Car Organizer", First on sale Sep. 14, 2017. (<https://www.amazon.com/Backseat-Organizer-AutoEC-Crayons-Markers/dp/B075MBW1L9>).*

Amazon, "Eezy Breezy Kids Durable travel tray and backseat car organizer", First reviewed Jun. 23, 2017. (<https://www.amazon.com/Backseat-Organizer-Tablets-Homework-Surface/dp/B06XTXDB7H/>).*

* cited by examiner

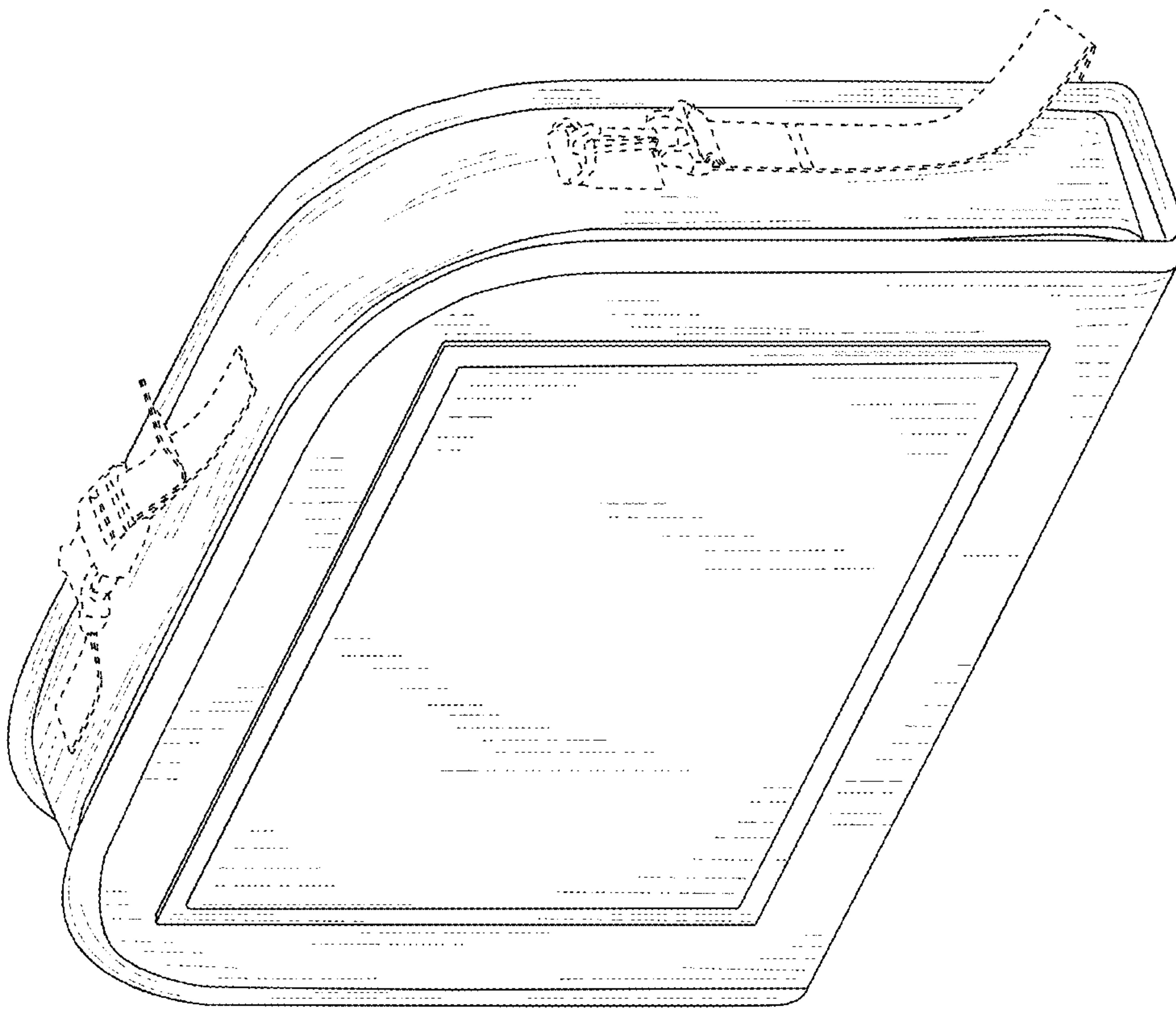


FIG. 1

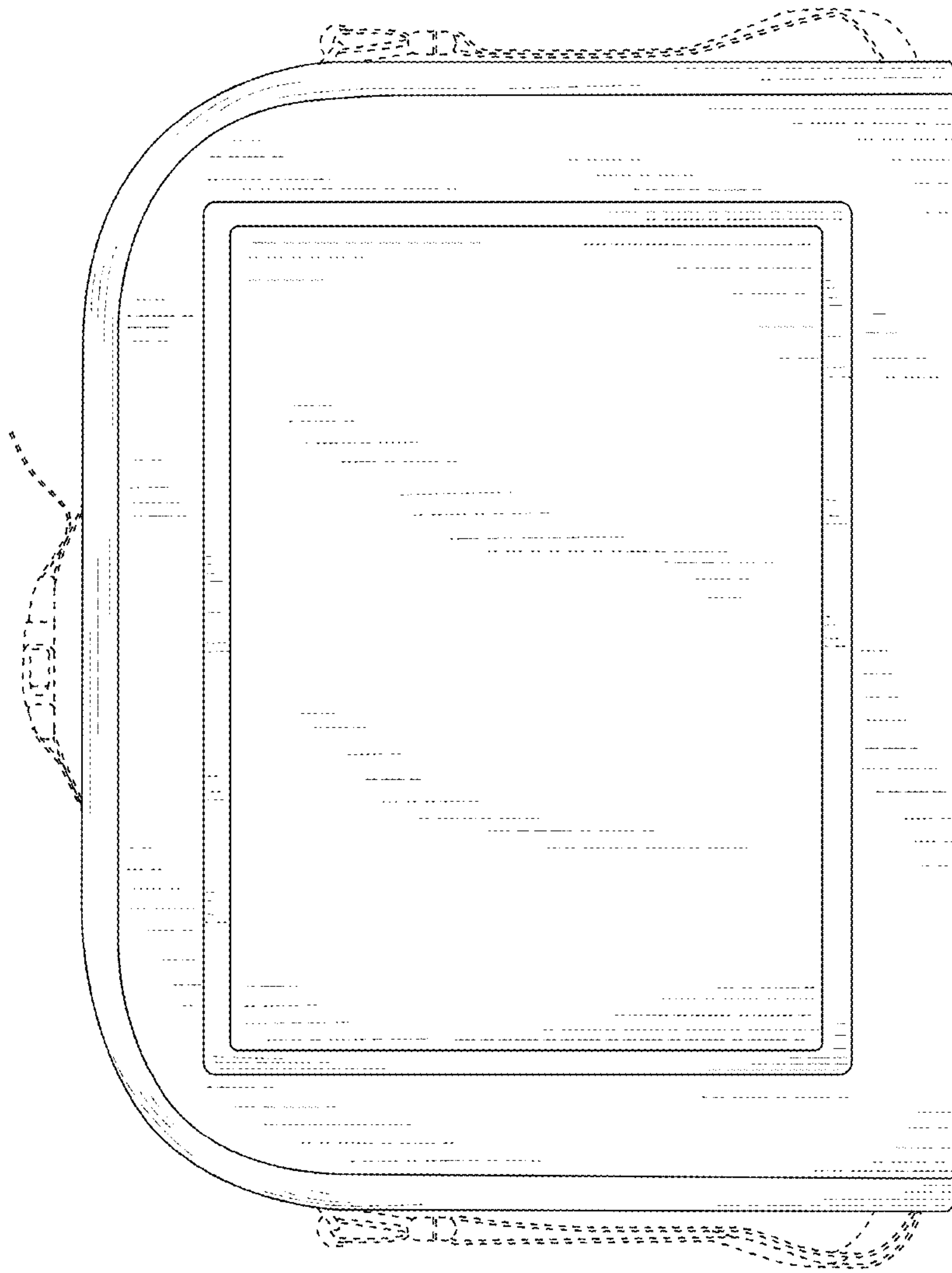


FIG. 2

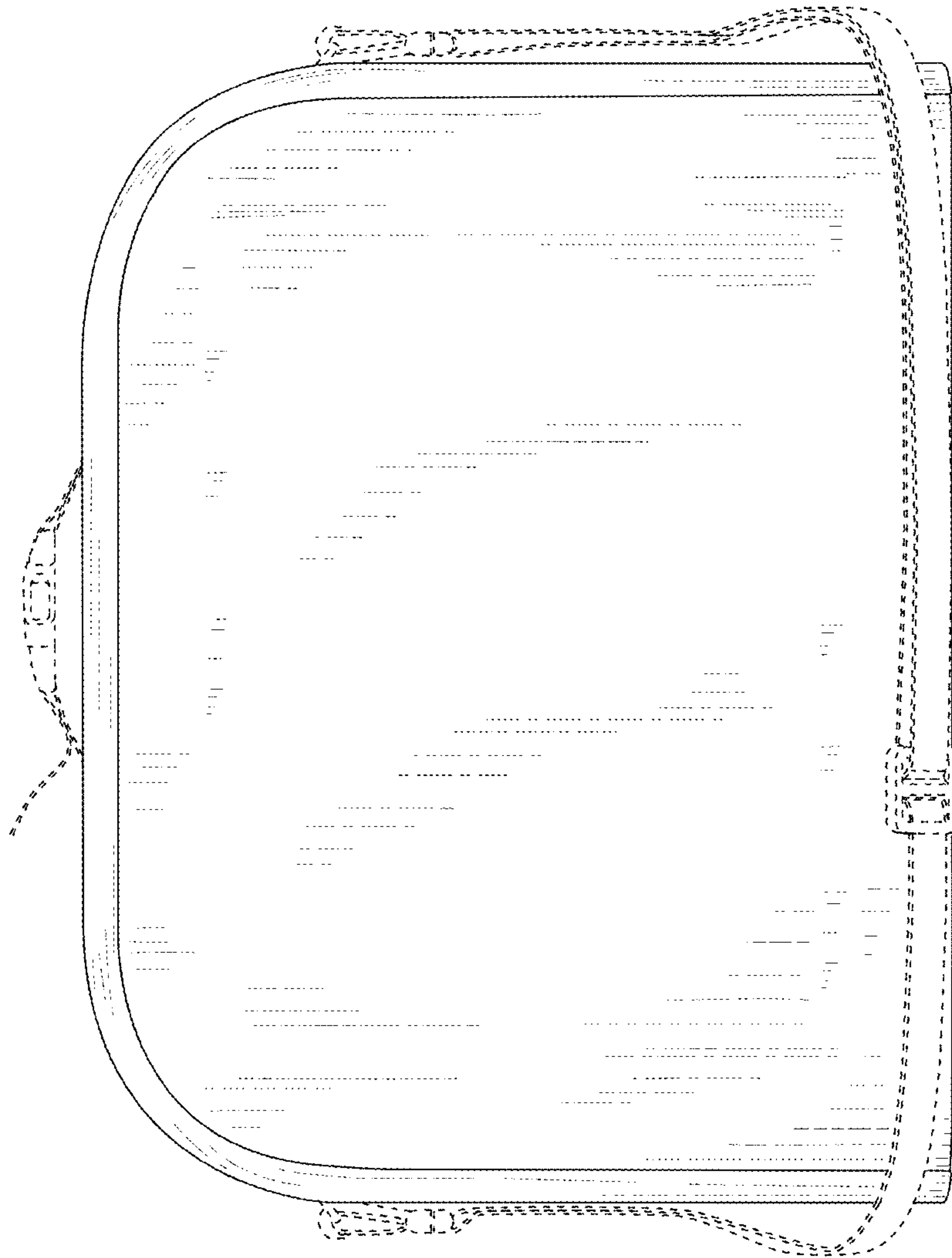


FIG. 3

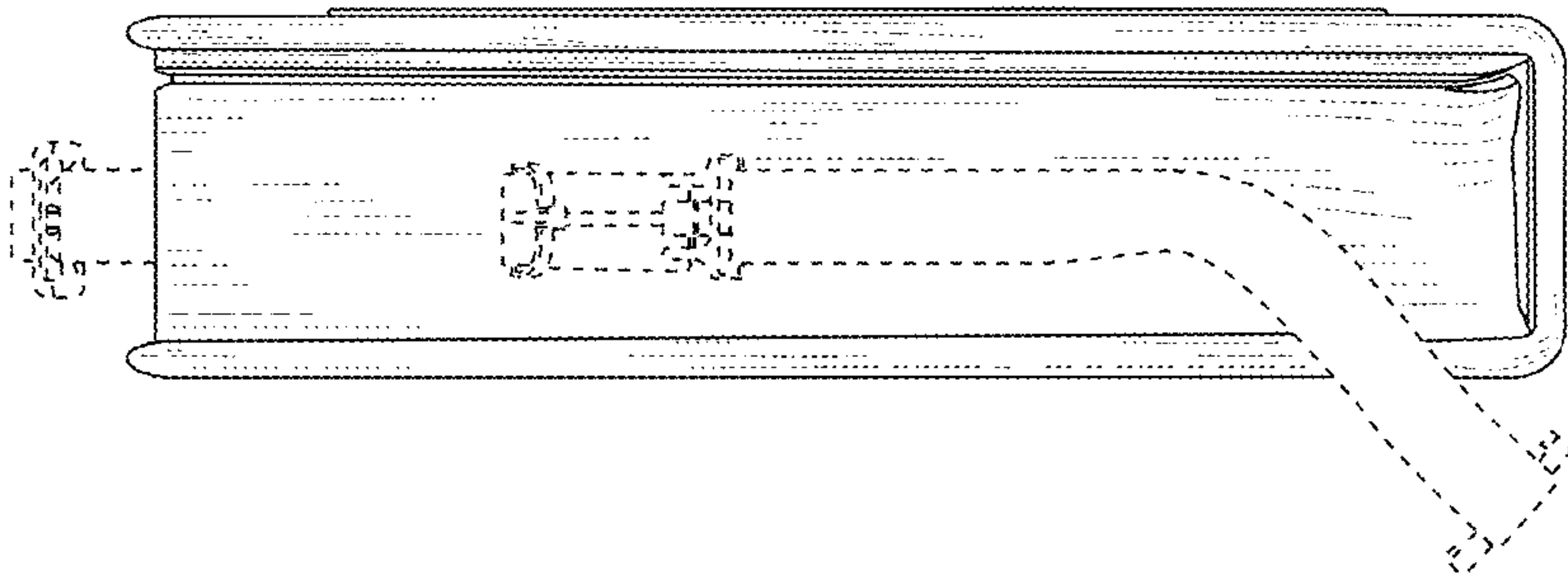


FIG. 4

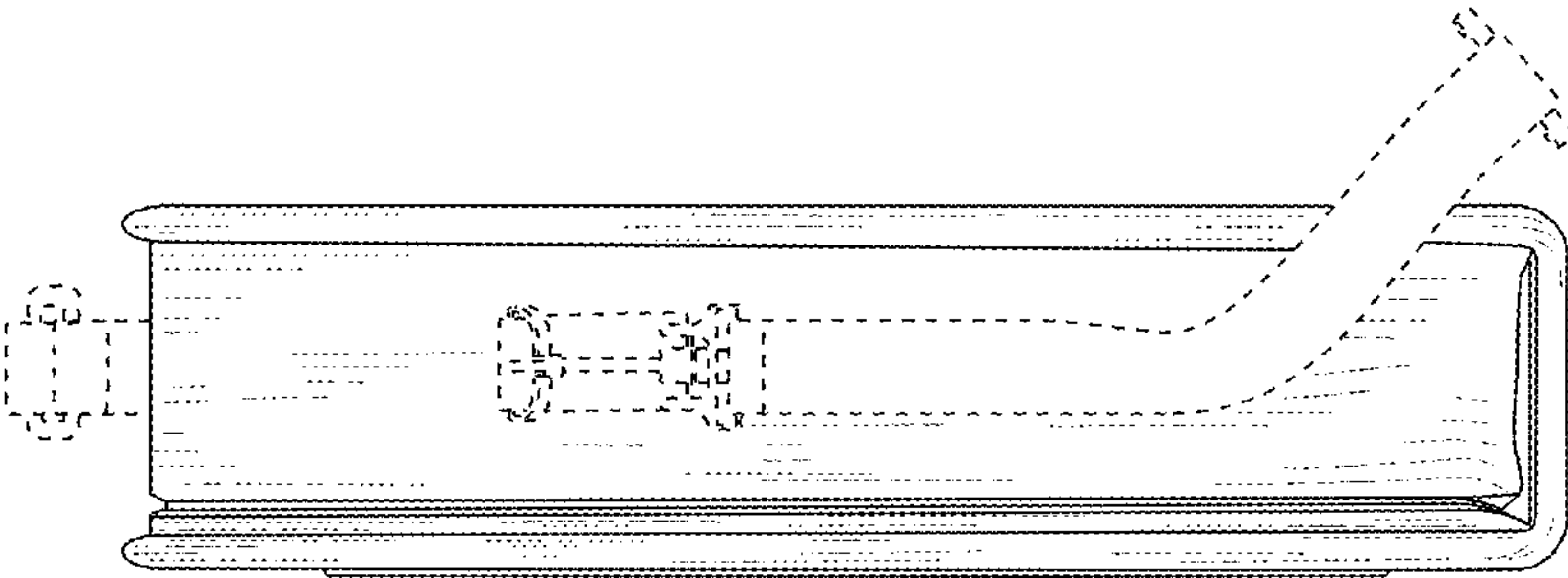


FIG. 5

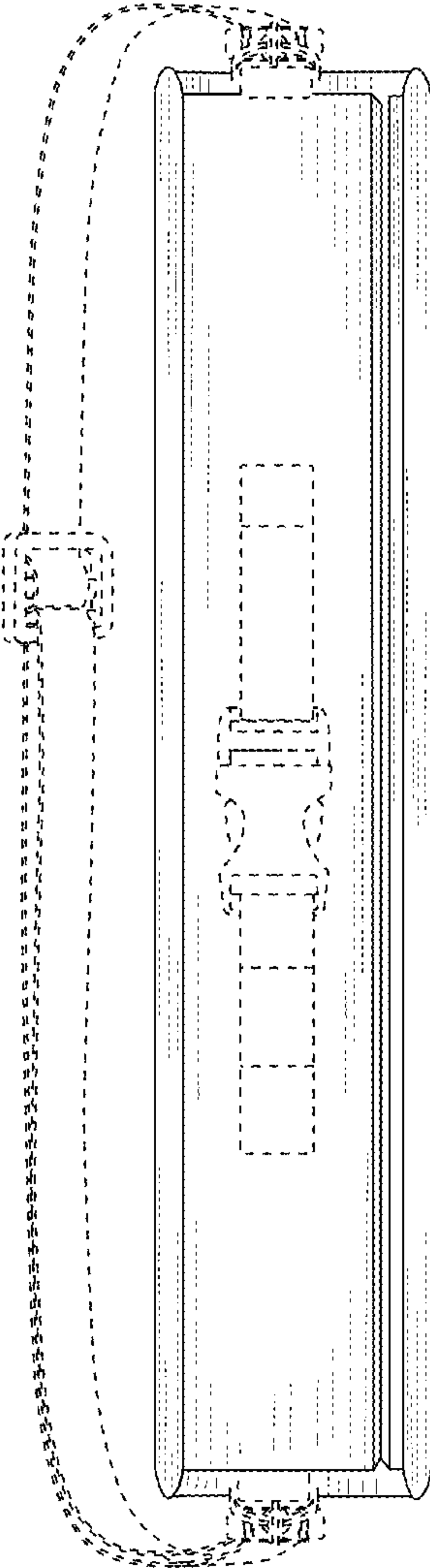


FIG. 6

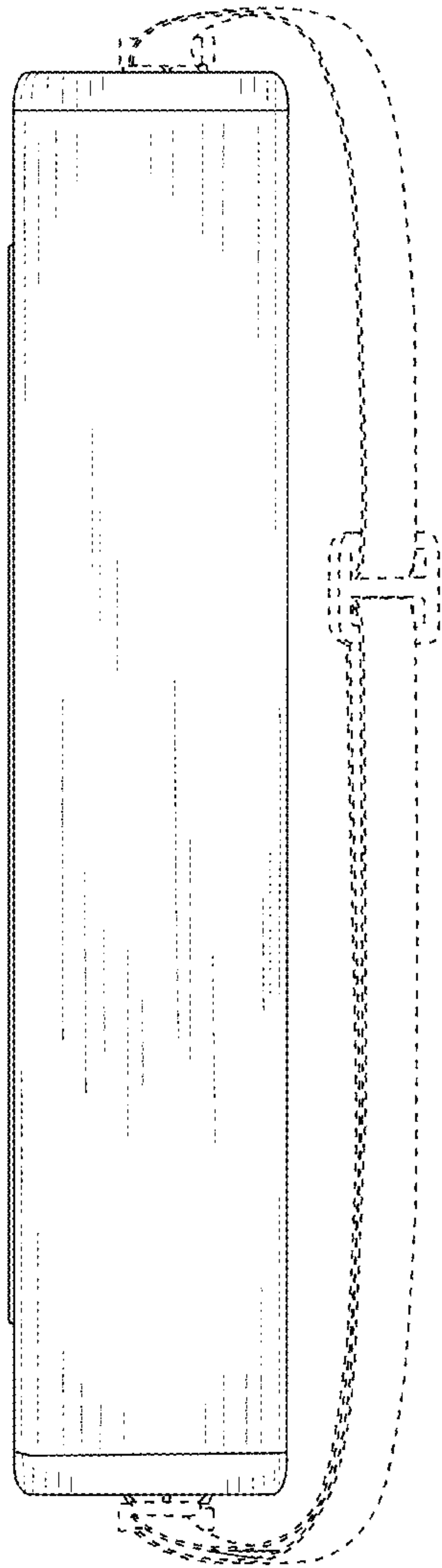


FIG. 7

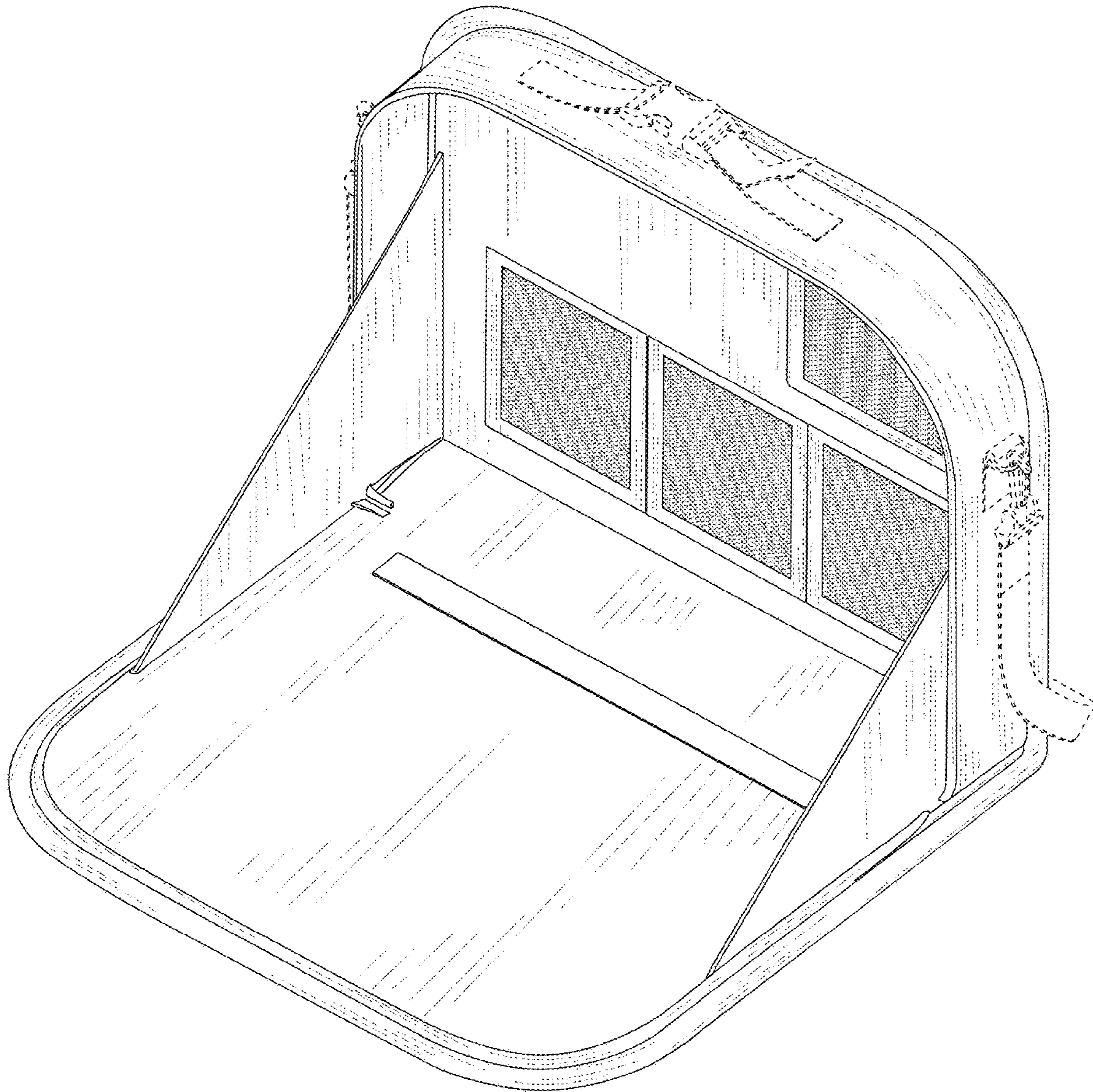


FIG. 8

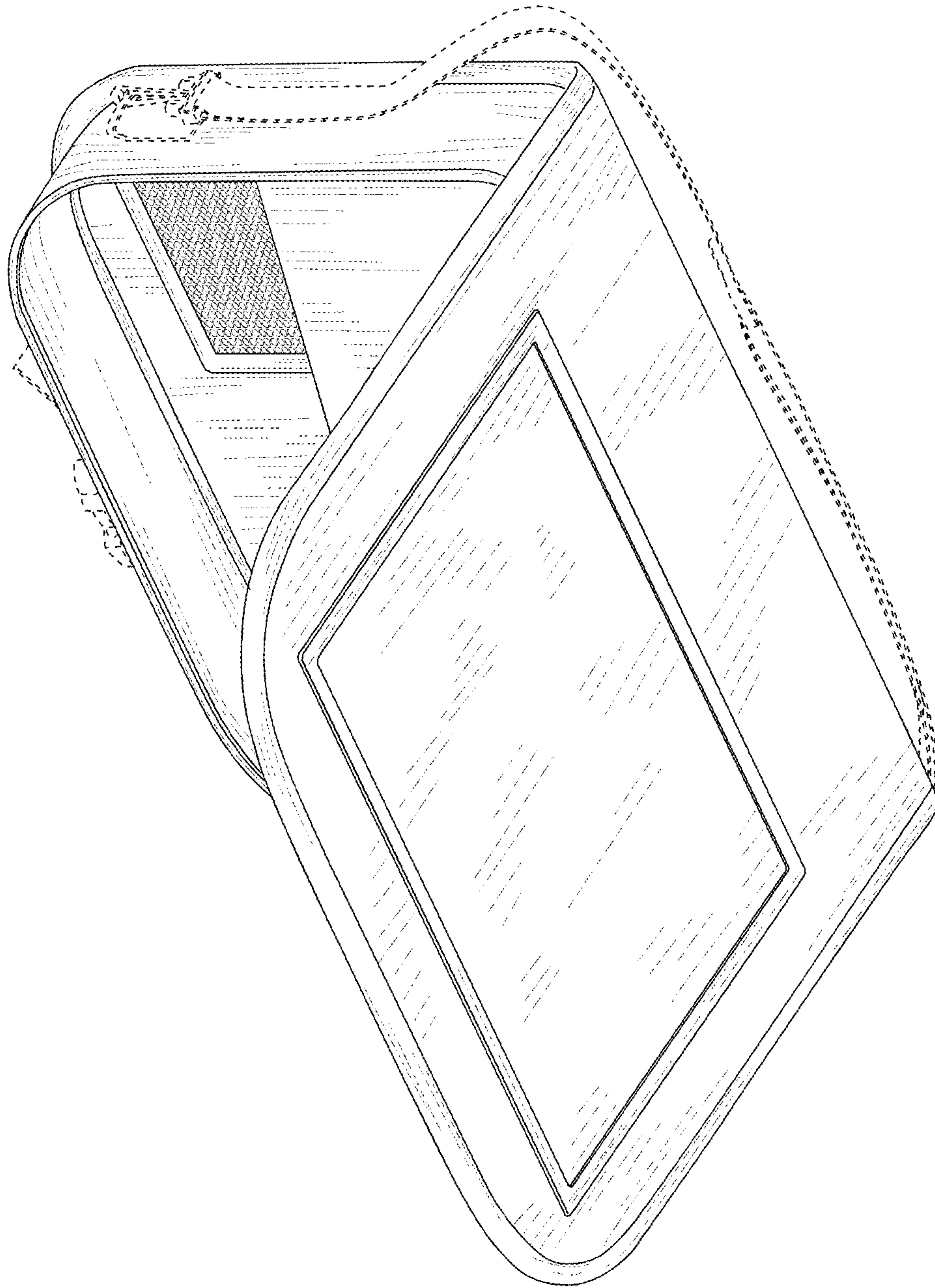


FIG. 9

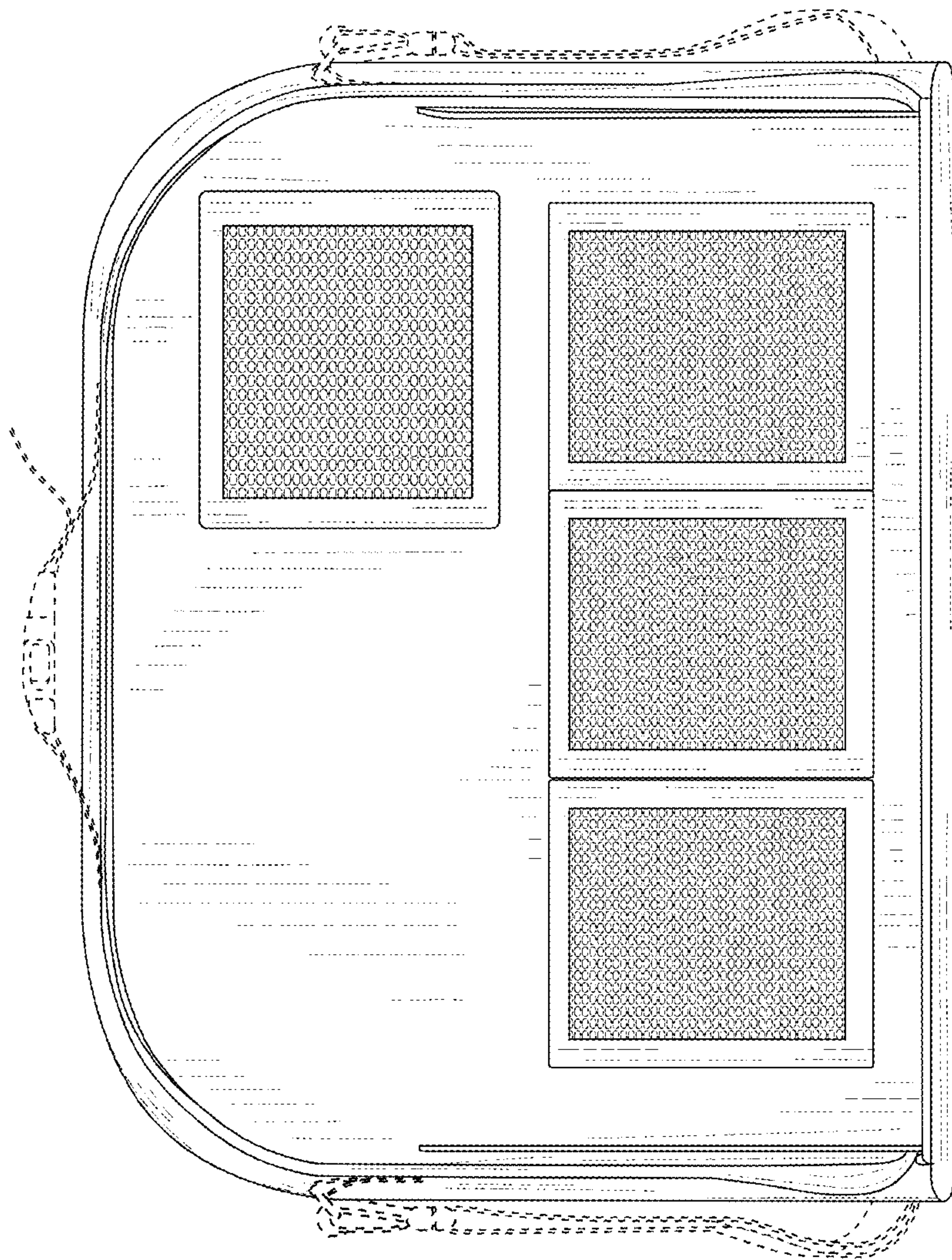


FIG. 10

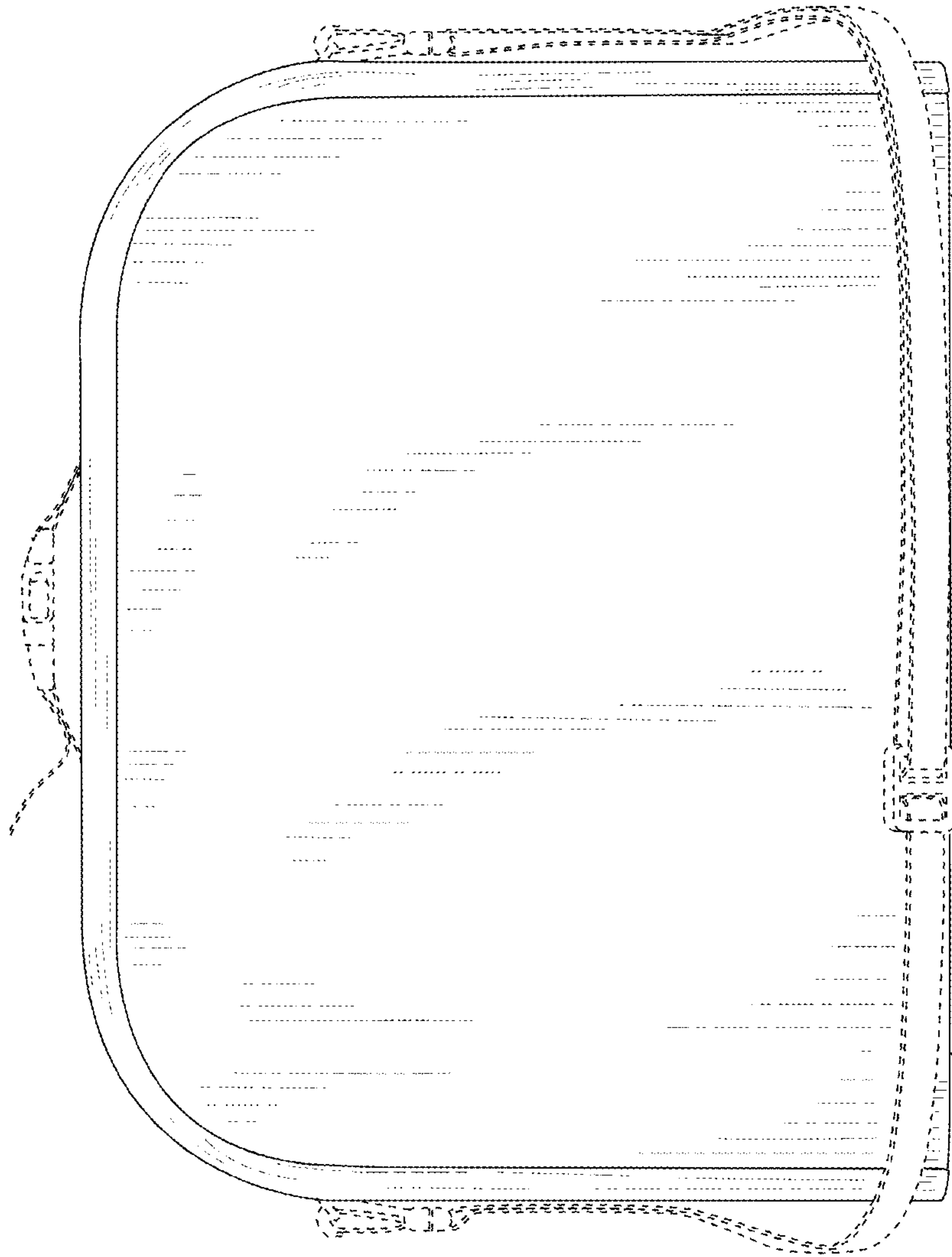


FIG. 11

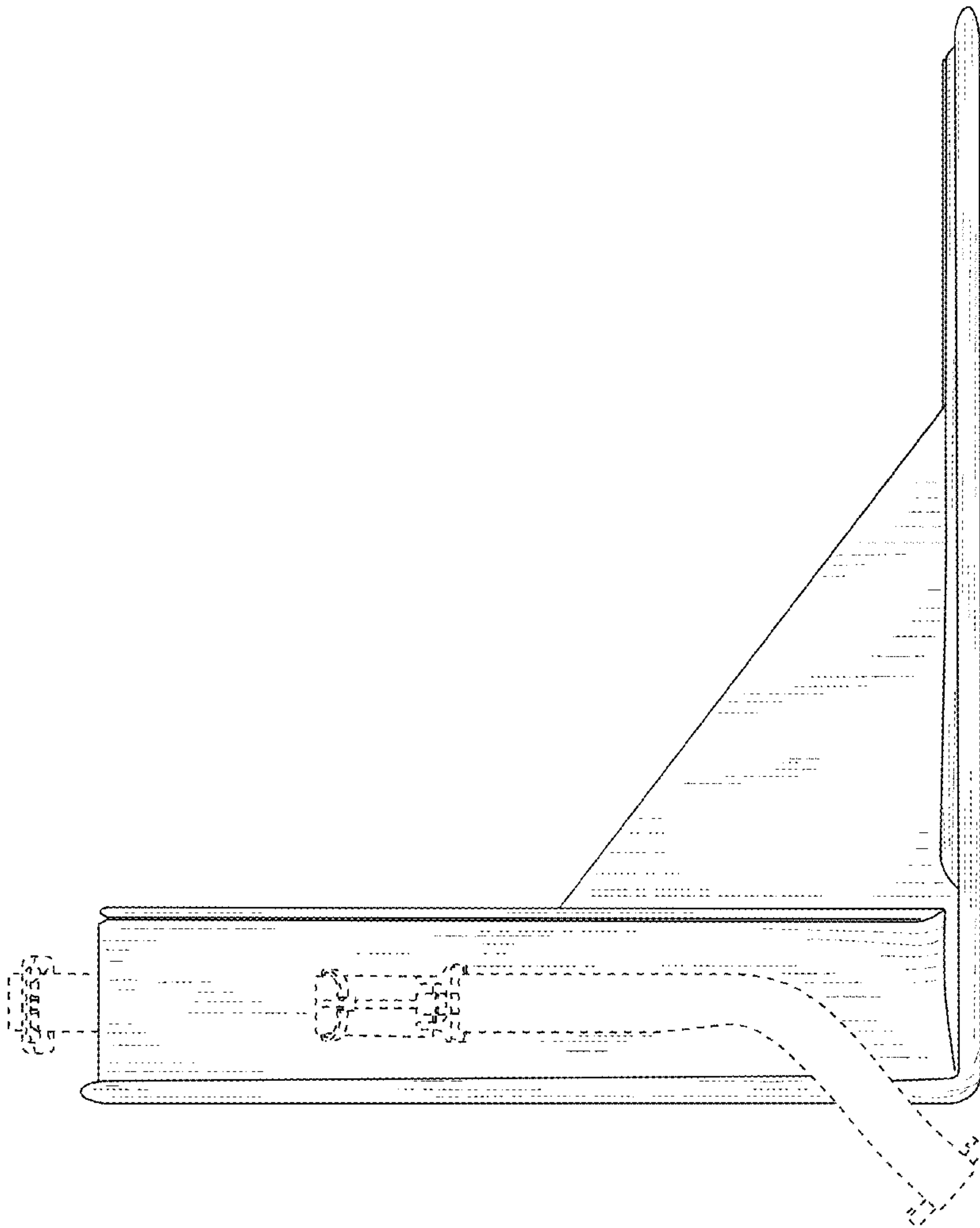


FIG. 12

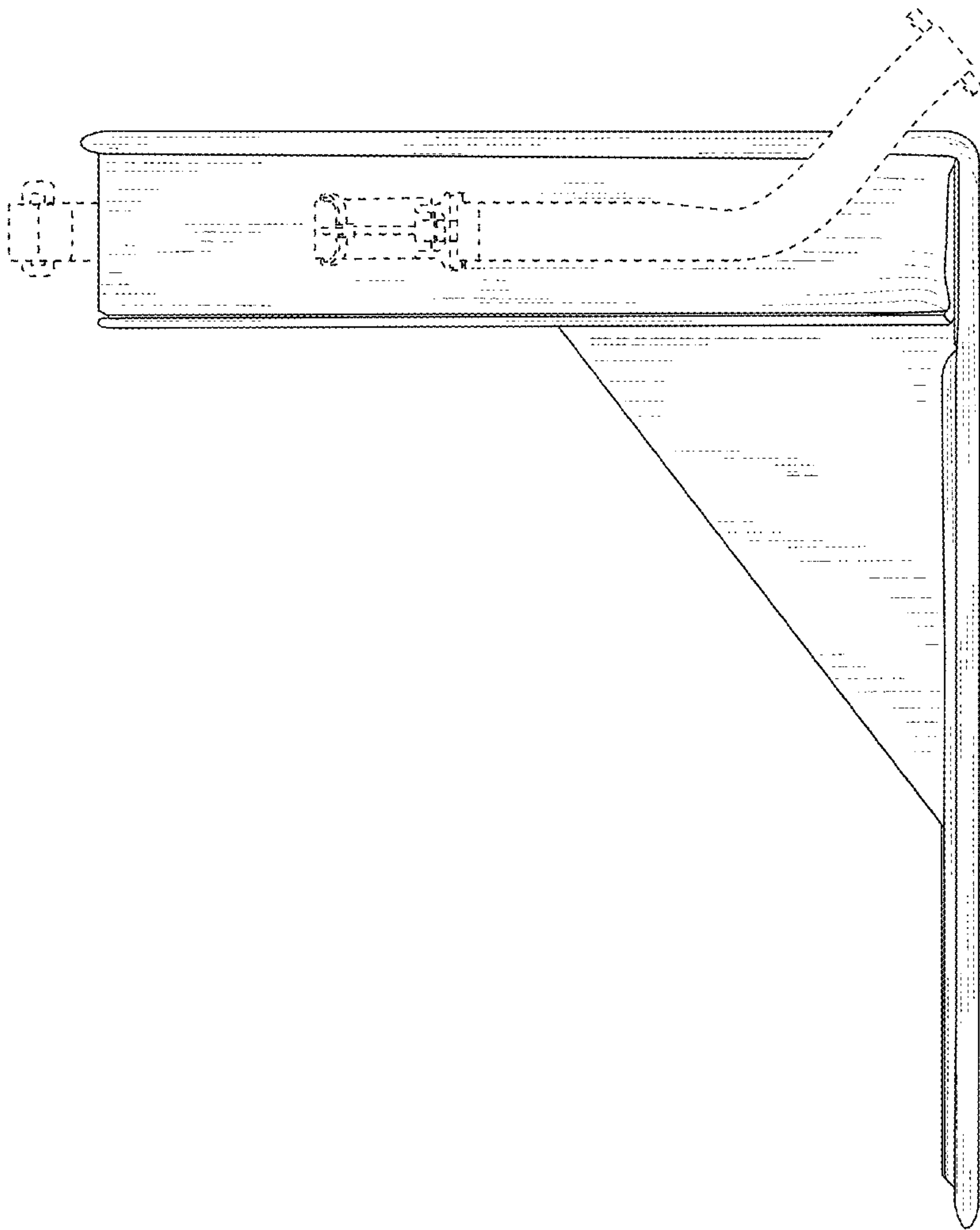


FIG. 13

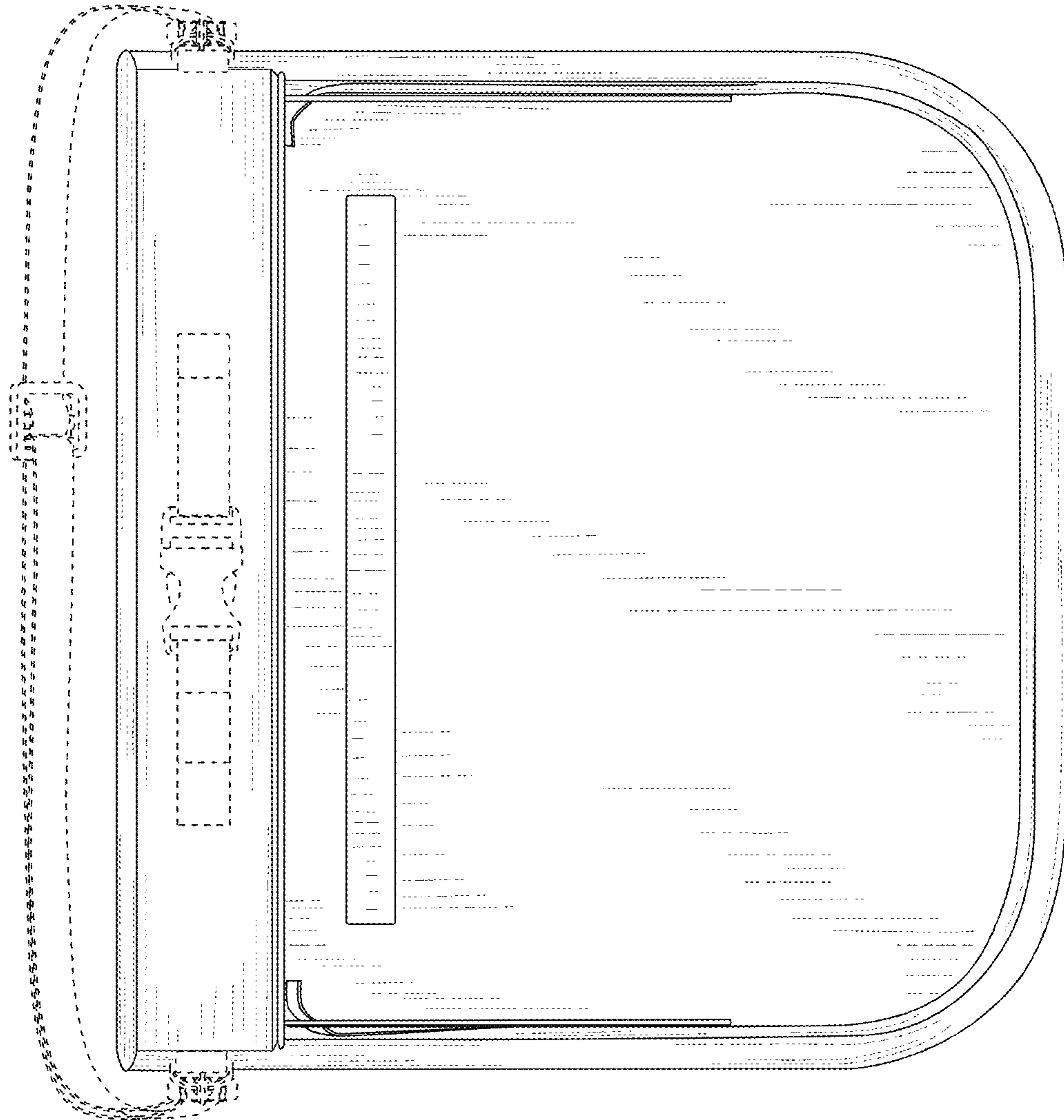


FIG. 14

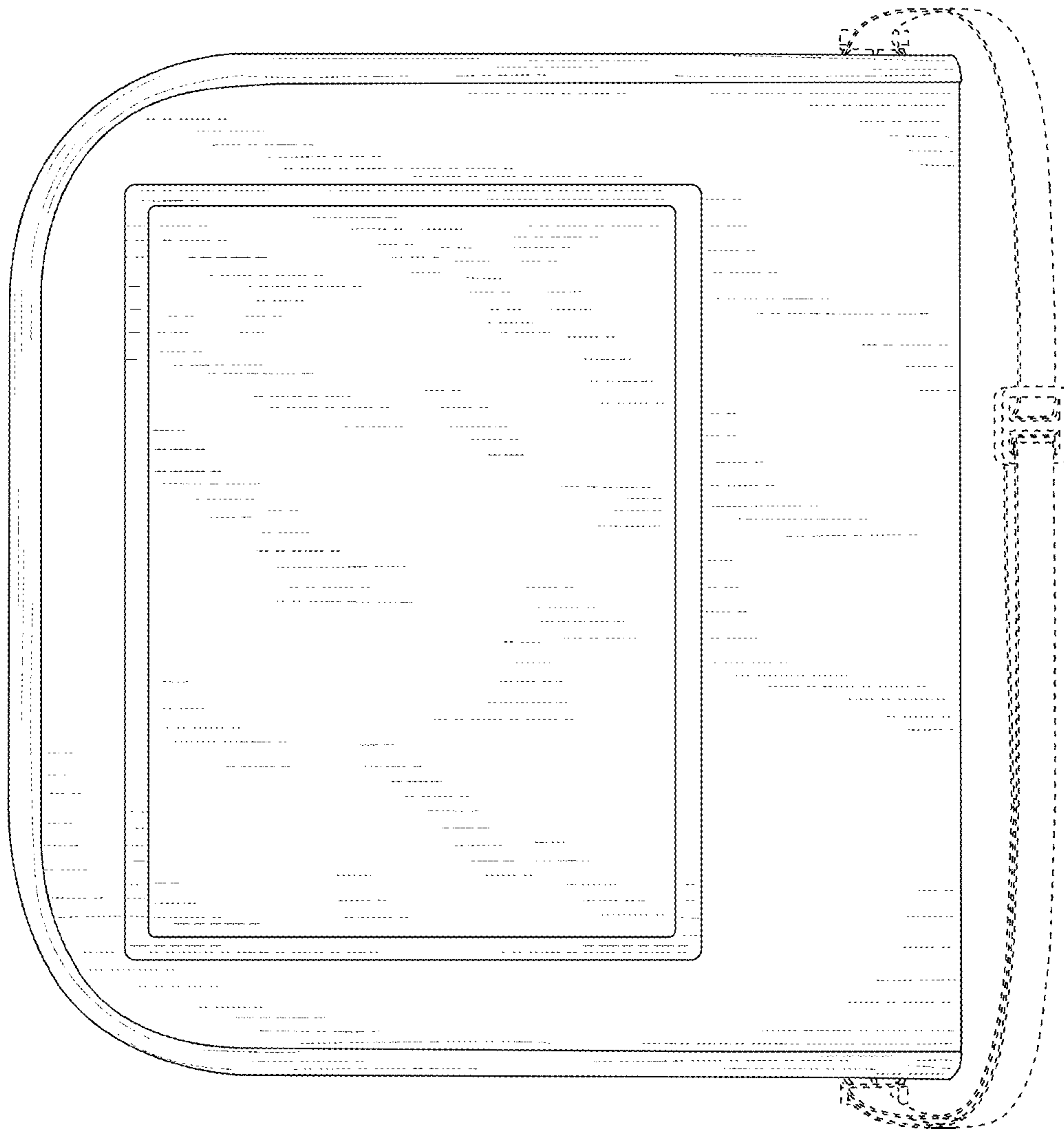


FIG. 15