



US00D819541S

(12) **United States Design Patent** (10) **Patent No.:** **US D819,541 S**
Chen et al. (45) **Date of Patent:** **** Jun. 5, 2018**

(54) **AERIAL VEHICLE**
(71) Applicant: **SZ DJI Technology Co., Ltd.**,
Shenzhen (CN)
(72) Inventors: **Shaojie Chen**, Shenzhen (CN); **Zhen Wang**,
Shenzhen (CN); **Yun Zhao**, Shenzhen (CN)
(73) Assignee: **SZ DJI Technology Co., Ltd.**,
Shenzhen (CN)

D561,805 S * 2/2008 Tokiwa D16/208
D562,372 S * 2/2008 Takahashi D16/202
D566,742 S * 4/2008 Yamane D16/202
D571,839 S * 6/2008 Andresen D16/202
D594,497 S * 6/2009 Hatori D16/202
D600,730 S * 9/2009 Su D16/202
D626,983 S * 11/2010 Serge D16/202
D627,811 S * 11/2010 Andresen D16/202

(Continued)

(**) Term: **15 Years**

FOREIGN PATENT DOCUMENTS

CN 302321461 S 2/2013
CN 302759596 S 3/2014

(Continued)

(21) Appl. No.: **29/571,216**
(22) Filed: **Jul. 15, 2016**

Primary Examiner — Robert M. Spear
Assistant Examiner — Marissa J Cash
(74) *Attorney, Agent, or Firm* — Sterne, Kessler,
Goldstein & Fox P.L.L.C.

Related U.S. Application Data

(63) Continuation-in-part of application No. 29/552,818,
filed on Jan. 26, 2016.

(51) **LOC (11) Cl.** **12-07**
(52) **U.S. Cl.**
USPC **D12/327; D12/345**

(57) **CLAIM**

The ornamental design for an aerial vehicle, as shown and
described.

(58) **Field of Classification Search**
USPC D12/16.1, 319–324, 326–345; D21/436,
D21/441, 443, 444, 446, 447, 448, 449,
D21/450, 451, 452, 453
CPC B64C 1/062; B64C 39/024; B64C 27/08;
B64C 29/00; B64C 39/00; B64C 23/00;
B64C 27/20; B64C 2201/127
See application file for complete search history.

DESCRIPTION

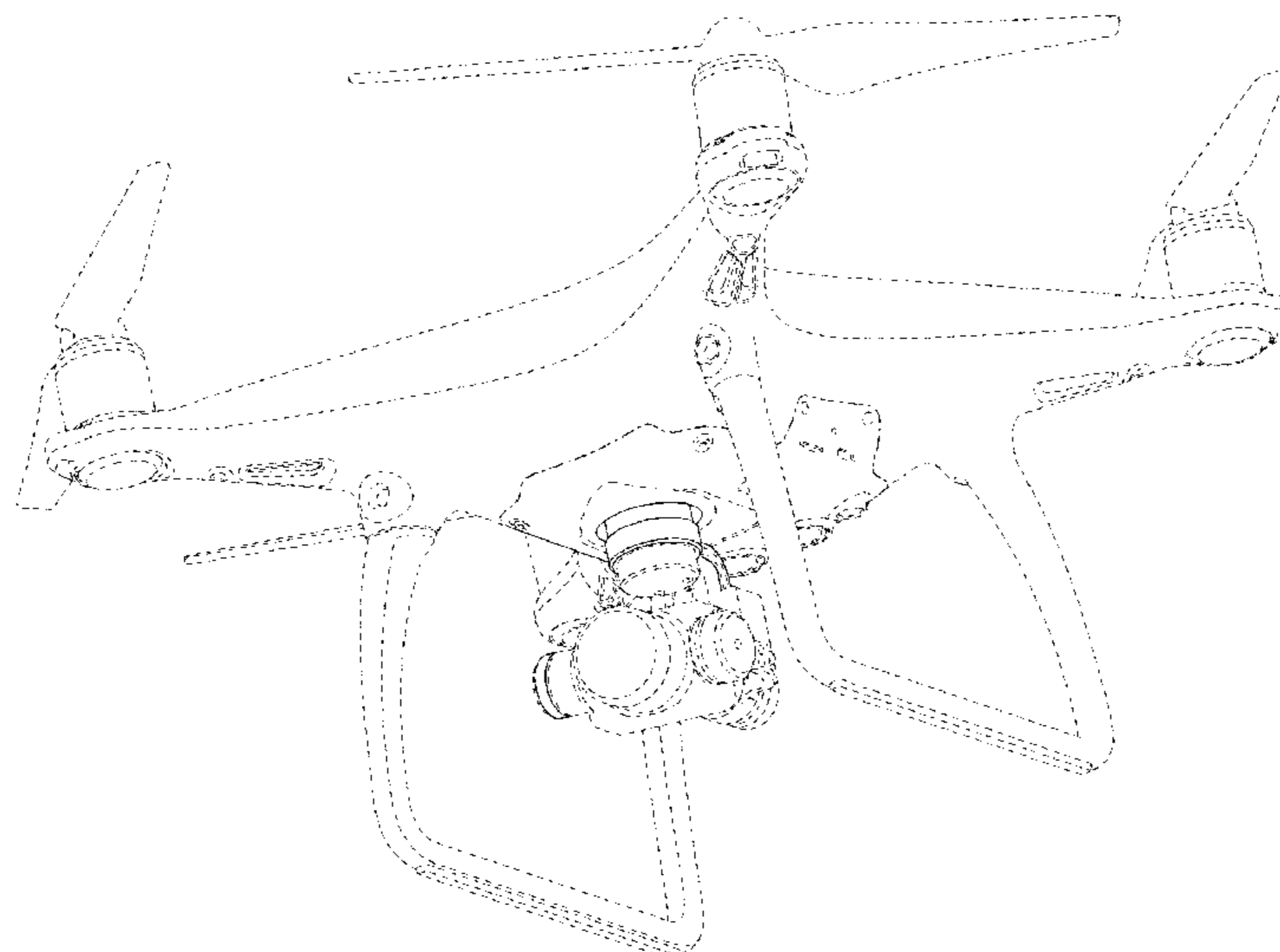
FIG. 1 is a top front perspective view of an aerial vehicle
showing the claimed design;
FIG. 2 is a top front perspective view thereof;
FIG. 3 is a bottom perspective view thereof;
FIG. 4 is a front view thereof;
FIG. 5 is a rear view thereof;
FIG. 6 is a right side view thereof;
FIG. 7 is a left side view thereof;
FIG. 8 is a top view thereof; and,
FIG. 9 is a bottom view thereof.

The broken lines in the figures show portions of the aerial
vehicle that form no part of the claimed design.
The dot-dash broken lines in the figures show boundaries
that form no part of the claimed design.

(56) **References Cited**
U.S. PATENT DOCUMENTS

D470,873 S * 2/2003 Hovanky D16/202
D483,386 S * 12/2003 Narducci D16/202
D523,887 S * 6/2006 Sitoh D16/202
D532,811 S * 11/2006 Horikiri D16/202
D536,719 S * 2/2007 Lukic D16/202
D560,702 S * 1/2008 Tokiwa D16/208

1 Claim, 9 Drawing Sheets



(56)

References Cited

U.S. PATENT DOCUMENTS

D627,813 S * 11/2010 Chen D16/202
 D629,031 S * 12/2010 Su D16/202
 D631,079 S * 1/2011 Tzeng D16/202
 D632,718 S * 2/2011 Tzeng D16/202
 D632,719 S * 2/2011 Tsai D16/202
 D636,421 S * 4/2011 Sagen D16/202
 D639,839 S * 6/2011 Kao D16/202
 D656,531 S * 3/2012 Ahn D16/202
 D658,221 S * 4/2012 Bailey D16/202
 D660,339 S * 5/2012 Yoshida D16/202
 D691,514 S * 10/2013 Wang D12/16.1
 D709,542 S * 7/2014 Bailey D16/202
 D709,936 S * 7/2014 Sakai D16/202
 D710,921 S * 8/2014 Gioscia D16/200
 D715,347 S * 10/2014 Troxel D16/202
 D721,754 S * 1/2015 Chen D16/202
 9,016,617 B2 * 4/2015 Wang B64C 39/024
 244/17.17
 D730,421 S * 5/2015 Huang D16/202
 D741,779 S * 10/2015 Hsiao D12/16.1
 D742,446 S * 11/2015 Ikeda D16/202
 D745,435 S 12/2015 Park et al.
 D750,146 S * 2/2016 Costa D16/200
 D750,680 S * 3/2016 Chen D16/200
 D754,232 S * 4/2016 Edwards D16/208
 D763,941 S * 8/2016 Smith D16/200
 D775,254 S * 12/2016 Parfitt D16/202
 D778,335 S * 2/2017 Gioscia D16/200
 D785,692 S * 5/2017 Wang D16/200
 D790,000 S * 6/2017 Wang D16/200
 D795,938 S * 8/2017 Ravat D16/202
 2008/0210025 A1 * 9/2008 Goossen F16M 11/041
 74/5.34

2014/0131510 A1 * 5/2014 Wang B64C 39/024
 244/17.23
 2015/0097950 A1 * 4/2015 Wang H04N 5/23287
 348/144
 2016/0031558 A1 * 2/2016 Wang B64C 39/024
 244/17.13
 2016/0150134 A1 * 5/2016 Katoh G01C 21/18
 348/373
 2016/0327847 A1 * 11/2016 Yang B64D 47/08
 2017/0002975 A1 * 1/2017 Yang F16M 13/02
 2017/0045807 A1 * 2/2017 Ye G03B 17/561
 2017/0106998 A1 * 4/2017 Zhou B64D 47/08
 2017/0163896 A1 * 6/2017 Kang H04N 5/23287
 2017/0171468 A1 * 6/2017 Wang H04N 5/23287
 2017/0174362 A1 * 6/2017 Zhao B64D 47/08

FOREIGN PATENT DOCUMENTS

CN 303126329 S 3/2015
 CN 303168325 S 4/2015
 CN 303206942 S 5/2015
 CN 303255986 S 6/2015
 CN 303255987 S 6/2015
 CN 303307559 S 7/2015
 CN 303367223 S 9/2015
 CN 303403035 S 10/2015
 CN 303452142 S 11/2015
 CN 303478218 S 12/2015
 CN 303491333 S 12/2015
 CN 303530921 S 12/2015
 CN 303530922 S 12/2015
 CN 303530929 S 12/2015
 CN 303562862 S 1/2016
 CN 303562876 S 1/2016
 KR 30-0819716 10/2015

* cited by examiner

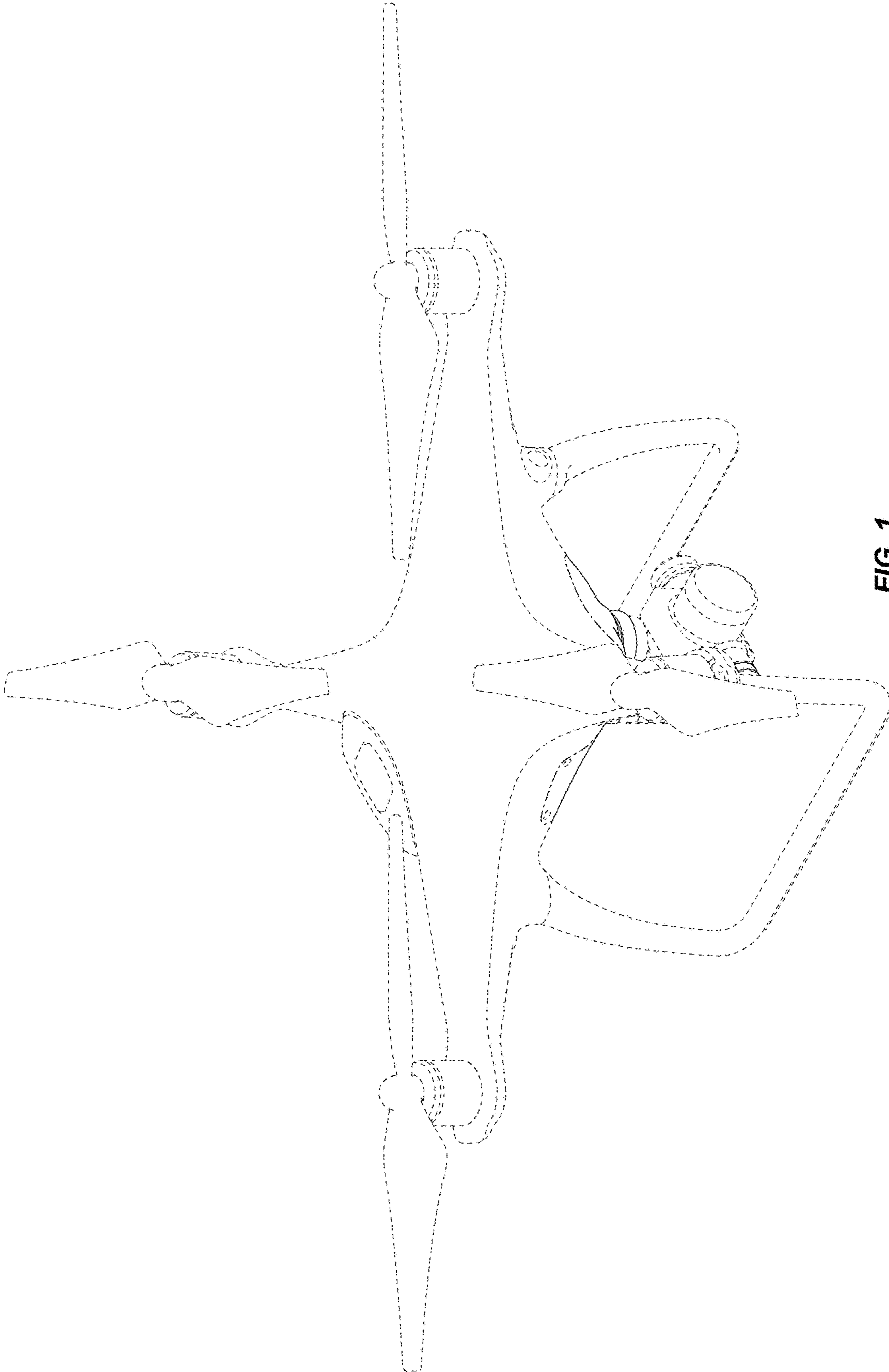


FIG. 1

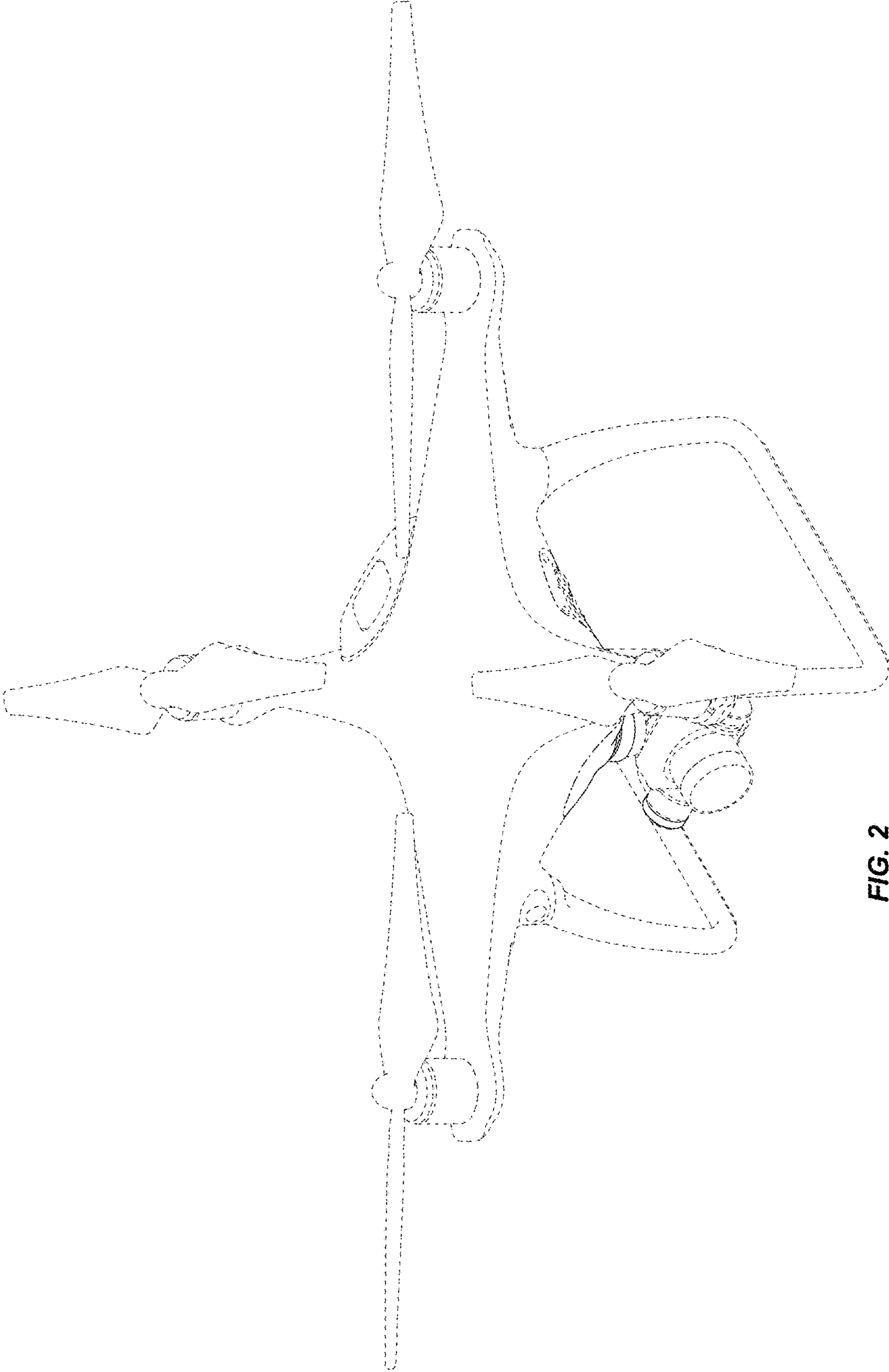


FIG. 2

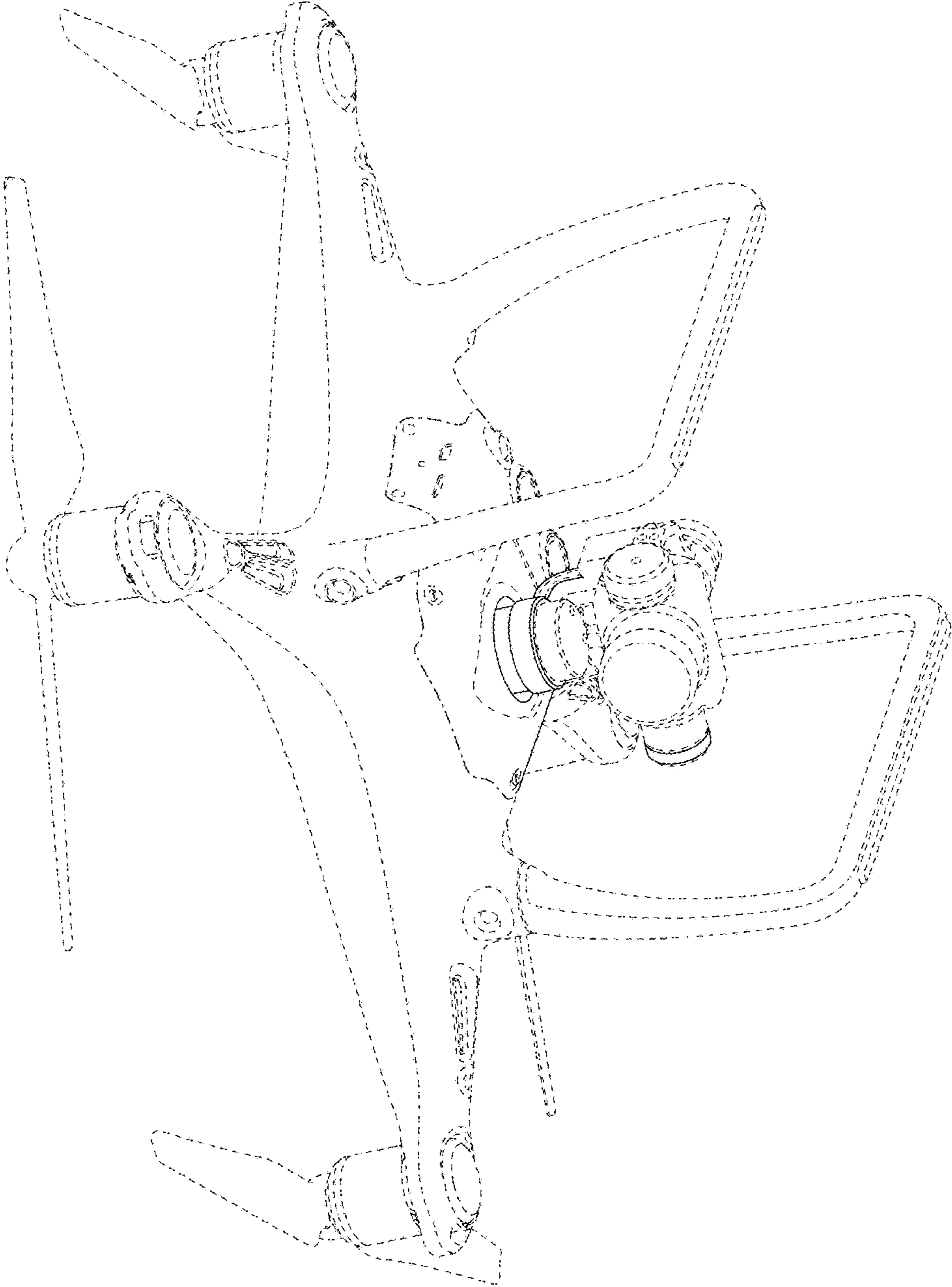


FIG. 3

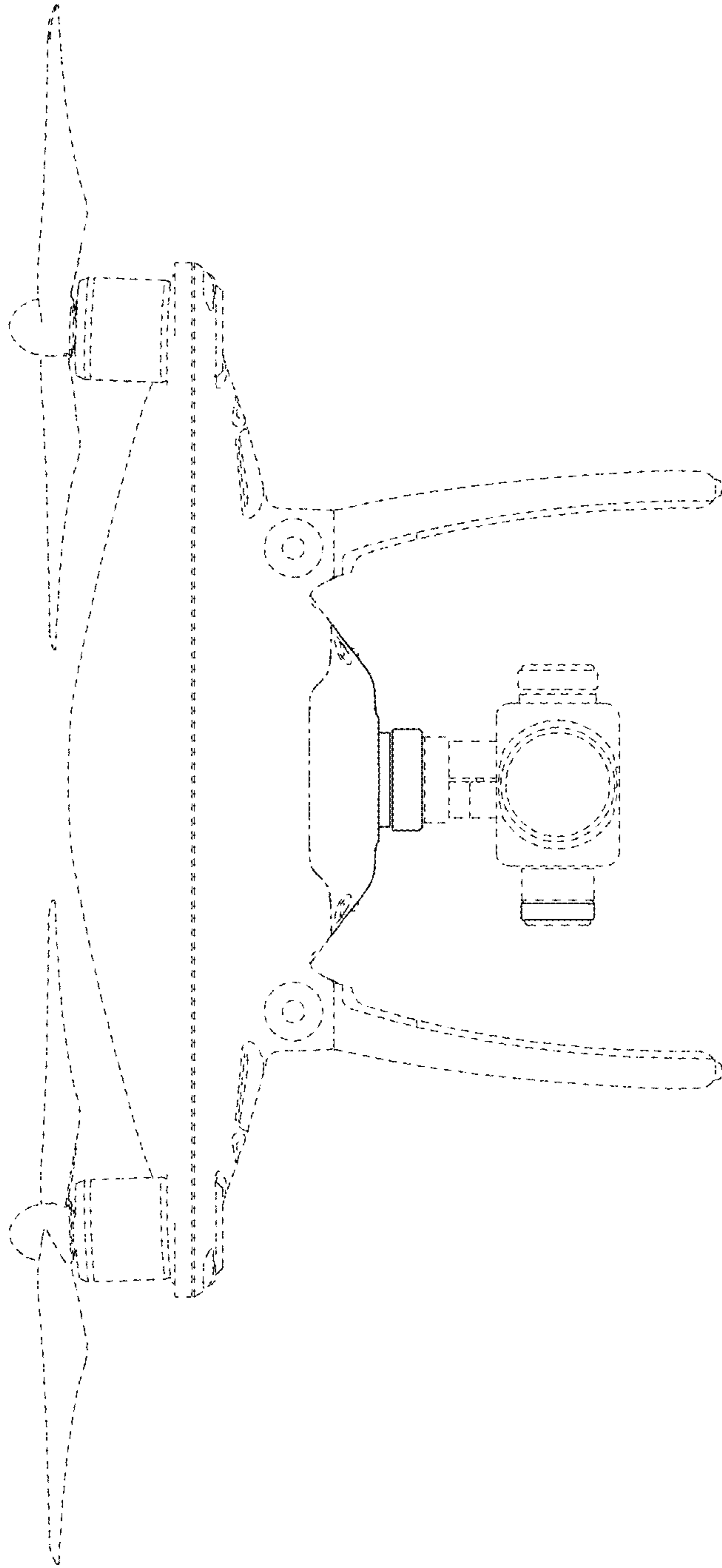


FIG. 4

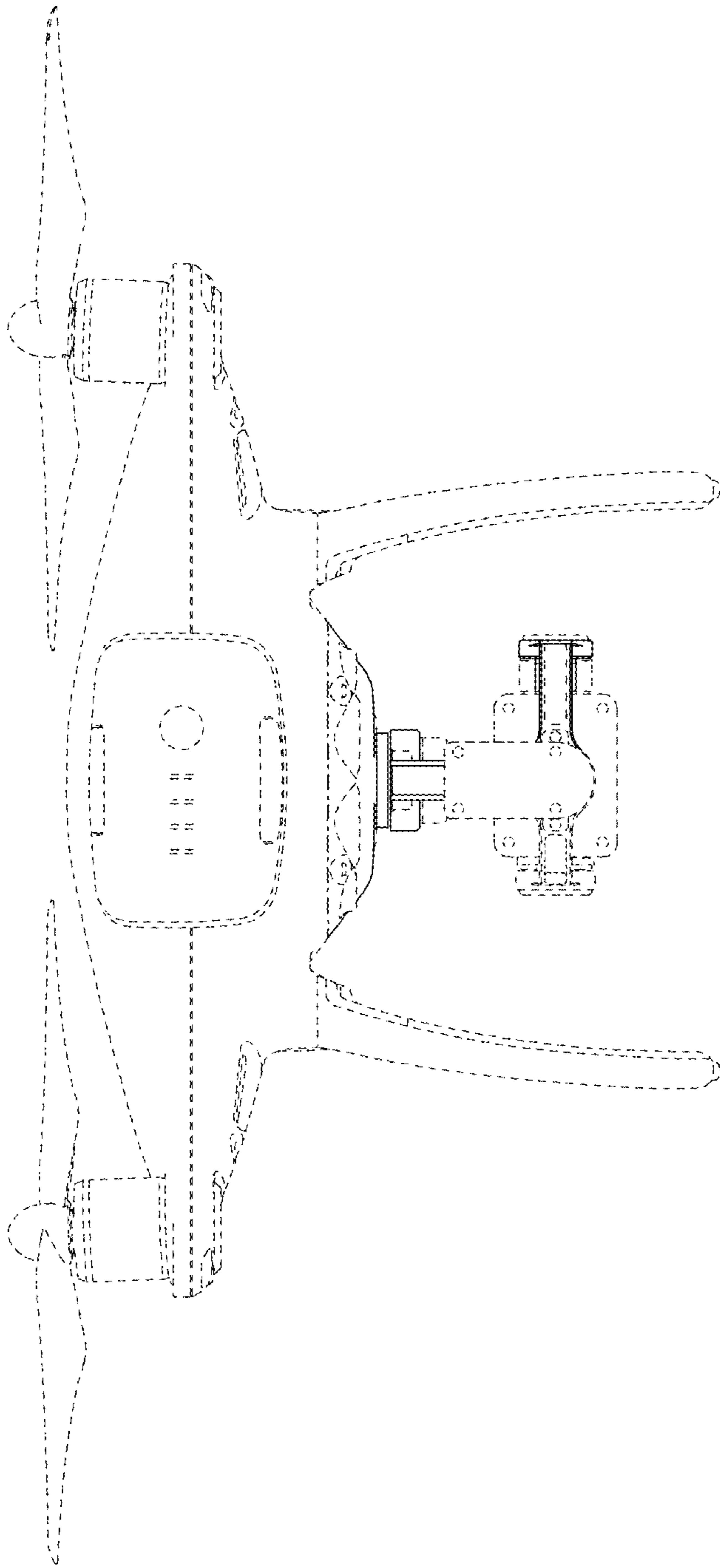


FIG. 5

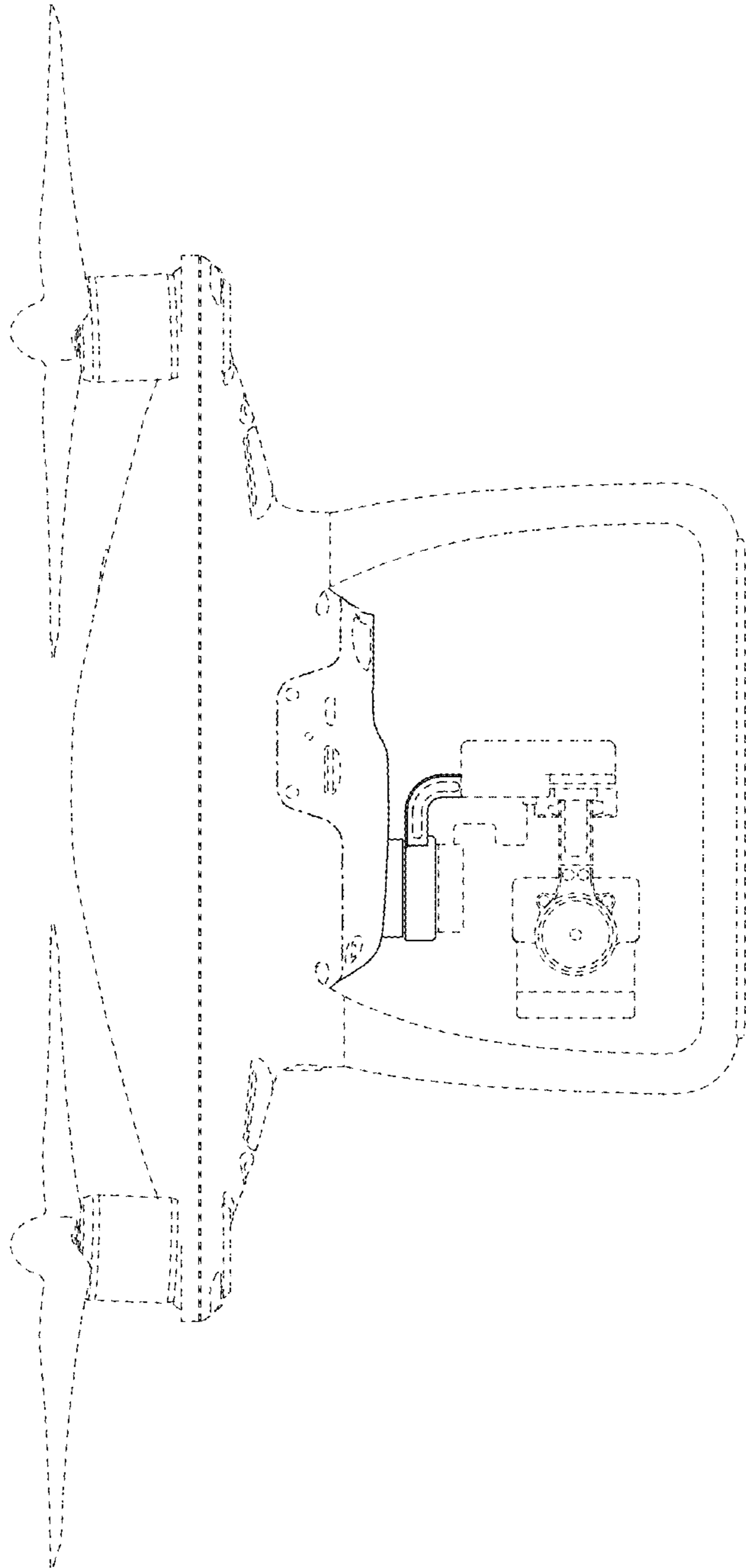


FIG. 6

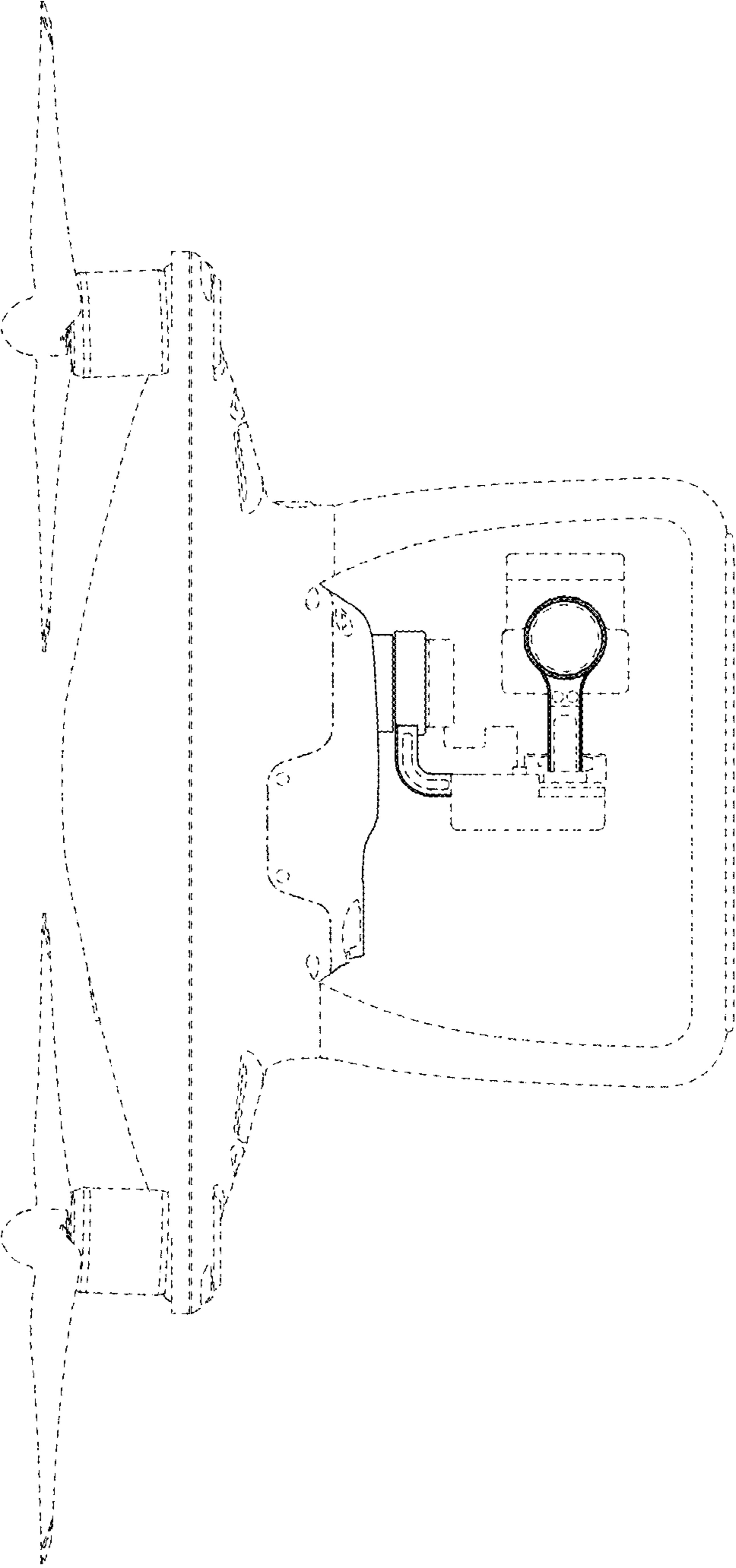


FIG. 7

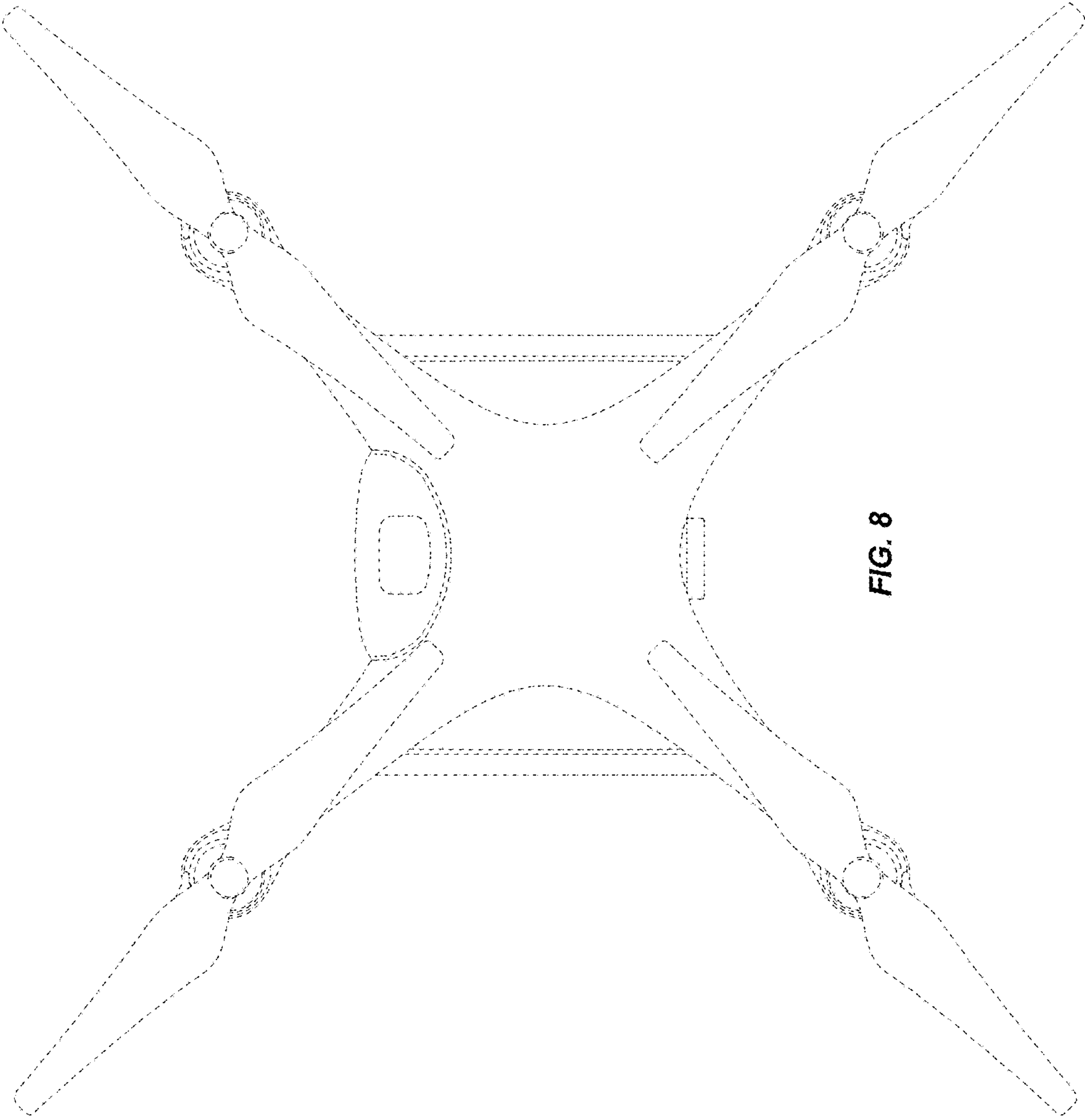


FIG. 8

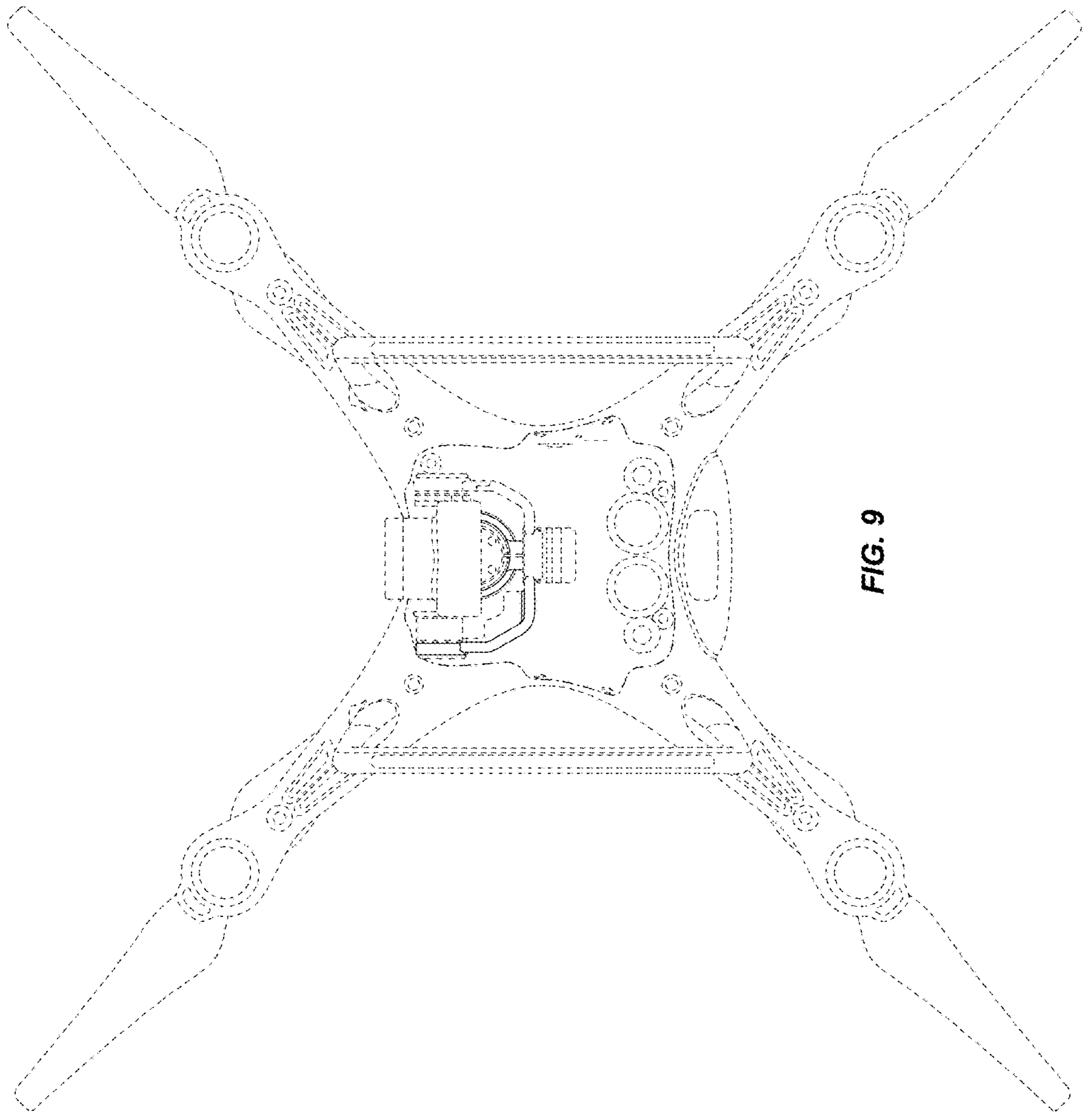


FIG. 9