



US00D819540S

(12) **United States Design Patent** (10) **Patent No.:** **US D819,540 S**
Wilson et al. (45) **Date of Patent:** **** Jun. 5, 2018**

(54) **CONVERTIBLE LEANING POST SEATING FOR MARINE VESSELS**

(71) Applicant: **Brunswick Corporation**, Lake Forest, IL (US)

(72) Inventors: **Jacob W. Wilson**, Edgewater, FL (US); **Paul Sherwood-Berndt**, Titusville, FL (US)

(73) Assignee: **Brunswick Corporation**, Mettawa, IL (US)

(**) Term: **15 Years**

(21) Appl. No.: **29/597,223**

(22) Filed: **Mar. 15, 2017**

(51) **LOC (11) Cl.** **12-06**

(52) **U.S. Cl.**
USPC **D12/317**

(58) **Field of Classification Search**
USPC D12/300–318
CPC B63B 29/02; B63B 29/04; B63B 2029/43
See application file for complete search history.

(56) **References Cited**

U.S. PATENT DOCUMENTS

831,877 A	9/1906	Kling	
5,497,724 A *	3/1996	Brown B63B 29/04 114/343
D429,682 S *	8/2000	Garland D12/300
6,584,926 B1 *	7/2003	Schmitt B63B 17/02 114/361
7,000,557 B1 *	2/2006	Forbes B63B 19/12 114/201 R
7,172,252 B2	2/2007	Henning	
7,523,985 B2 *	4/2009	Bhatia B60N 2/206 297/188.04
7,647,880 B2	1/2010	Devine	

7,661,382 B2	2/2010	Wood et al.	
D665,719 S *	8/2012	Watkins D12/317
8,740,297 B1	6/2014	Foss et al.	
9,021,975 B1	5/2015	Fodor et al.	
9,073,608 B1	7/2015	Foss et al.	
D743,318 S	11/2015	Curts	
9,783,271 B2 *	10/2017	Foss B63B 29/04
9,821,887 B1 *	11/2017	Wilson B63B 29/04
2008/0196649 A1 *	8/2008	Kalil B63B 19/14 114/201 R
2009/0188421 A1 *	7/2009	Devine B63B 29/04 114/363
2009/0277372 A1 *	11/2009	Wood B60N 2/203 114/363
2010/0031866 A1 *	2/2010	Thompson B63B 29/04 114/363
2014/0216327 A1 *	8/2014	Chen B63B 17/00 114/363

* cited by examiner

Primary Examiner — Cynthia M Chin

(74) *Attorney, Agent, or Firm* — Andrus Intellectual Property Law, LLP

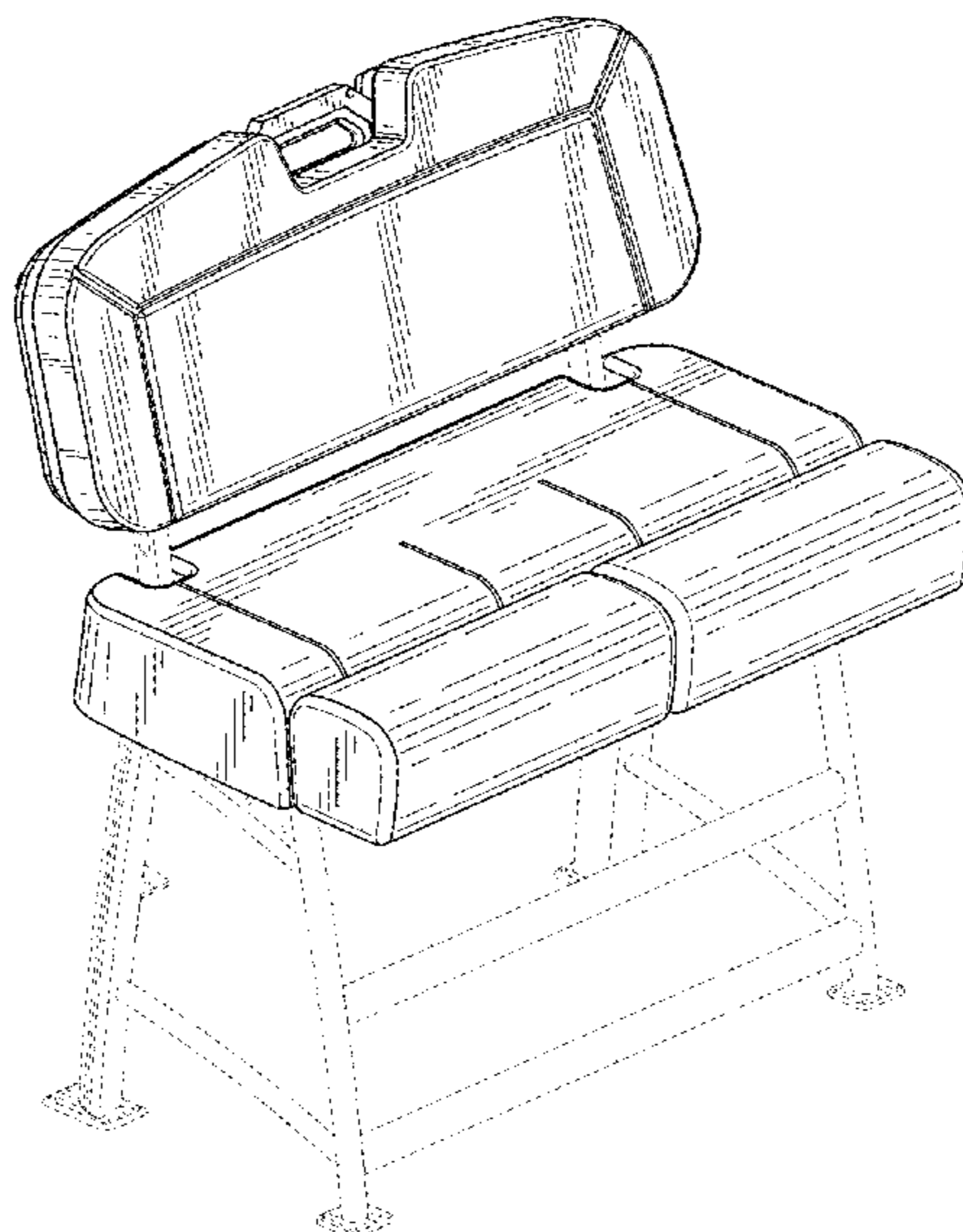
(57) **CLAIM**

The ornamental design for a convertible leaning post seating for marine vessels, as shown and described.

DESCRIPTION

FIG. 1 is a rear perspective view of a convertible leaning post seating for marine vessels.
FIG. 2 is a side view thereof.
FIG. 3 is an opposite side view thereof.
FIG. 4 is a front view thereof.
FIG. 5 is a rear view thereof.
FIG. 6 is a top view thereof; and,
FIG. 7 is a bottom view thereof.
The broken lines are for the purpose of illustrating portions of the article that form no part of the claim.

1 Claim, 7 Drawing Sheets



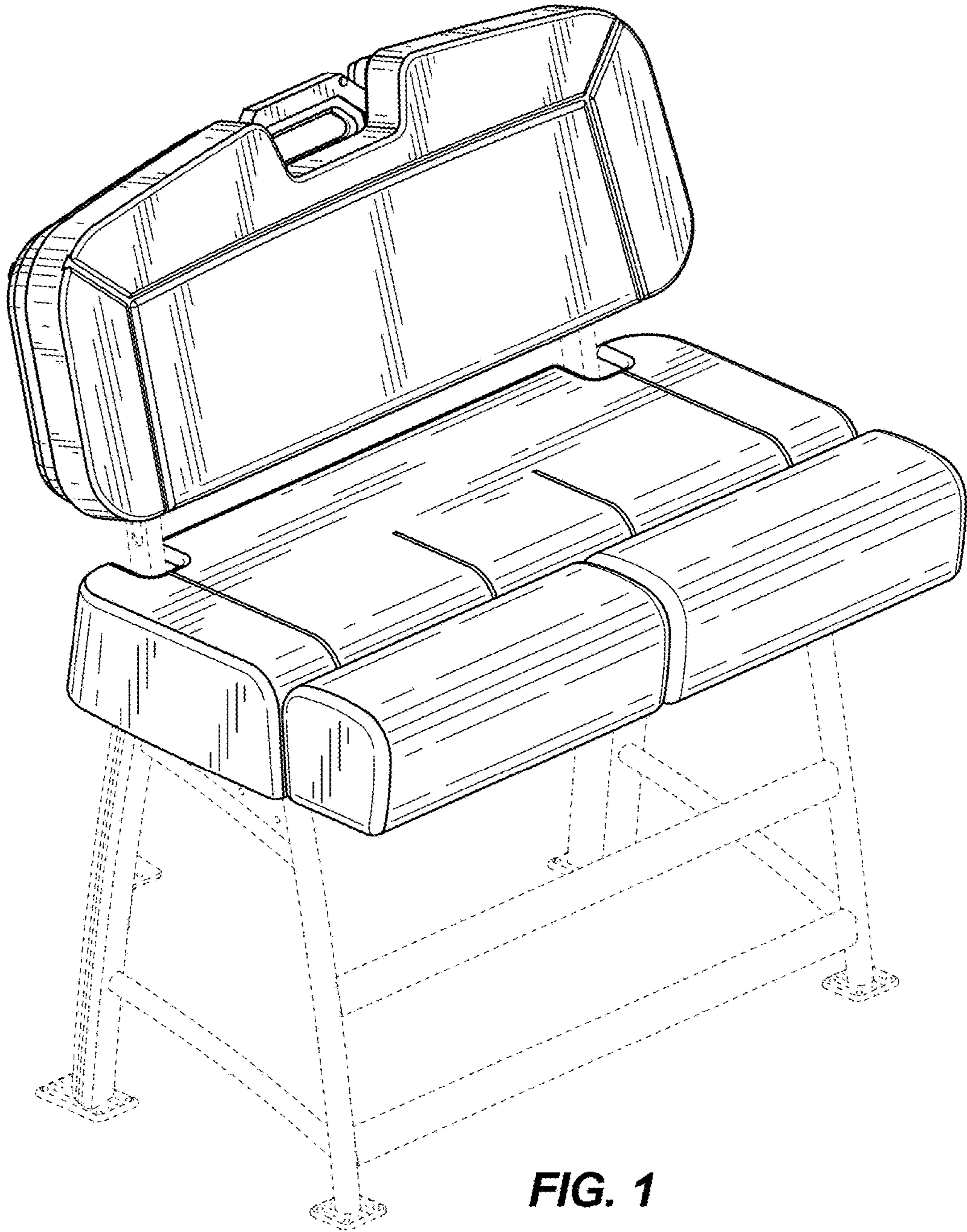


FIG. 1

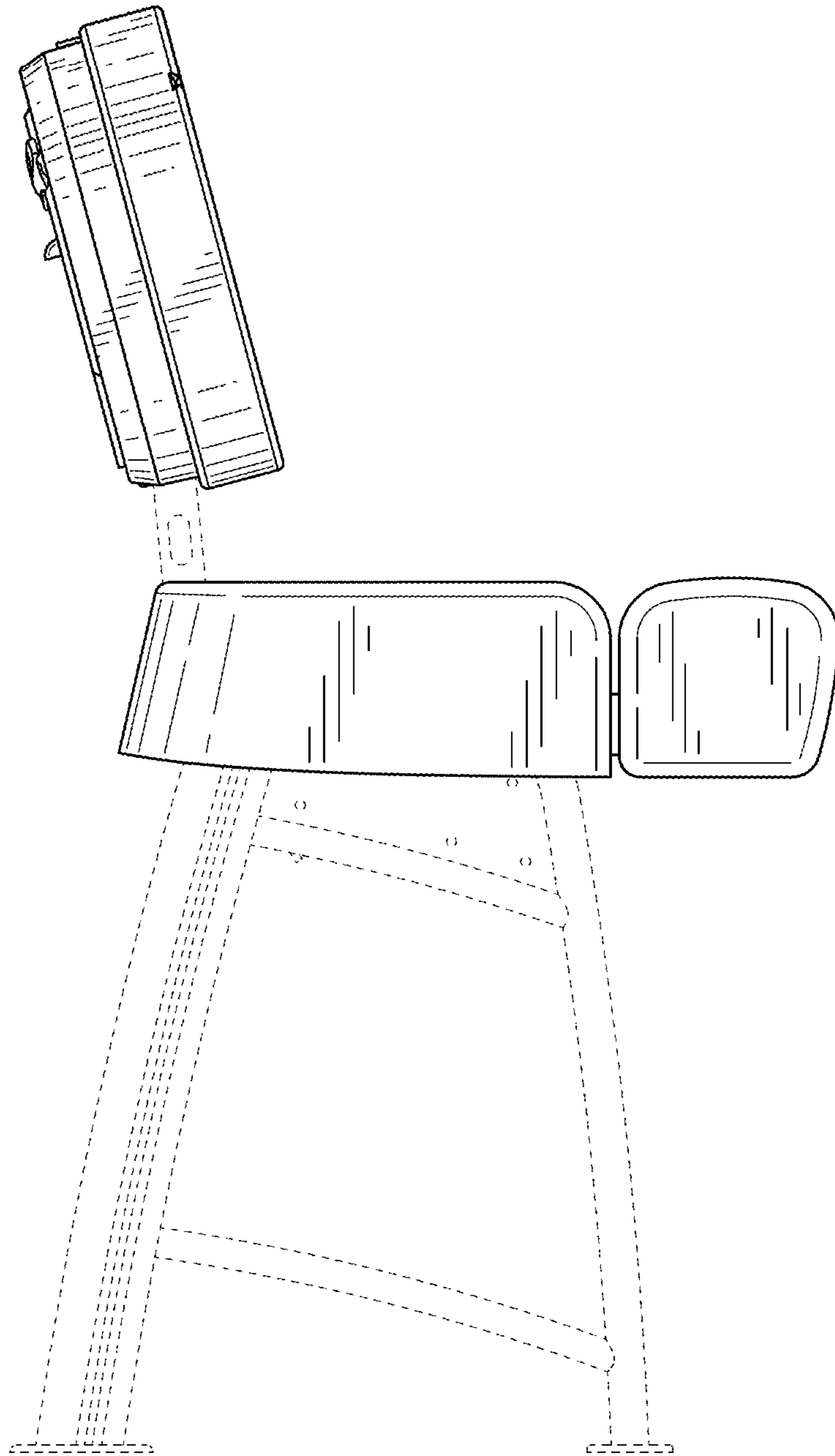


FIG. 2

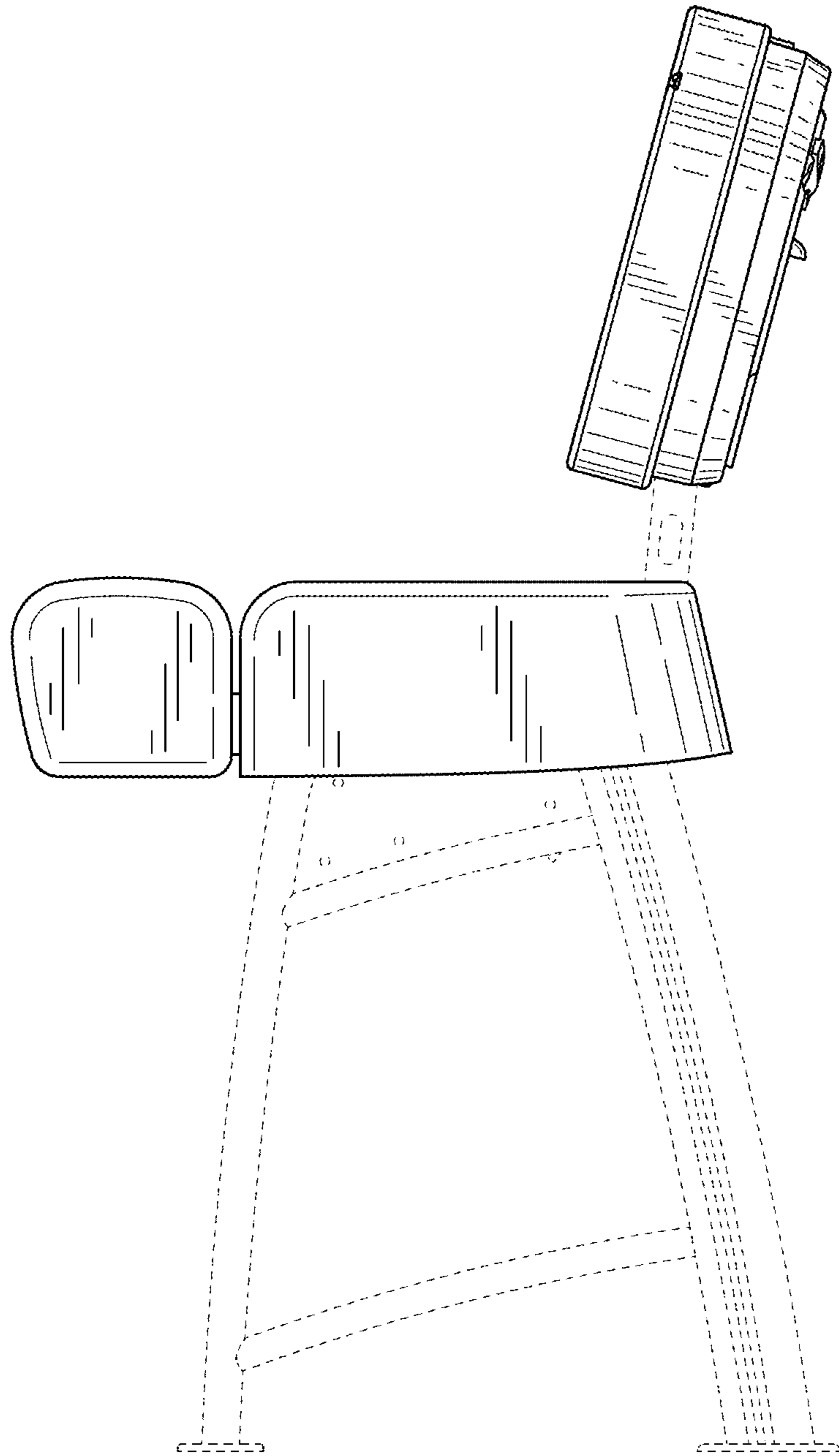


FIG. 3

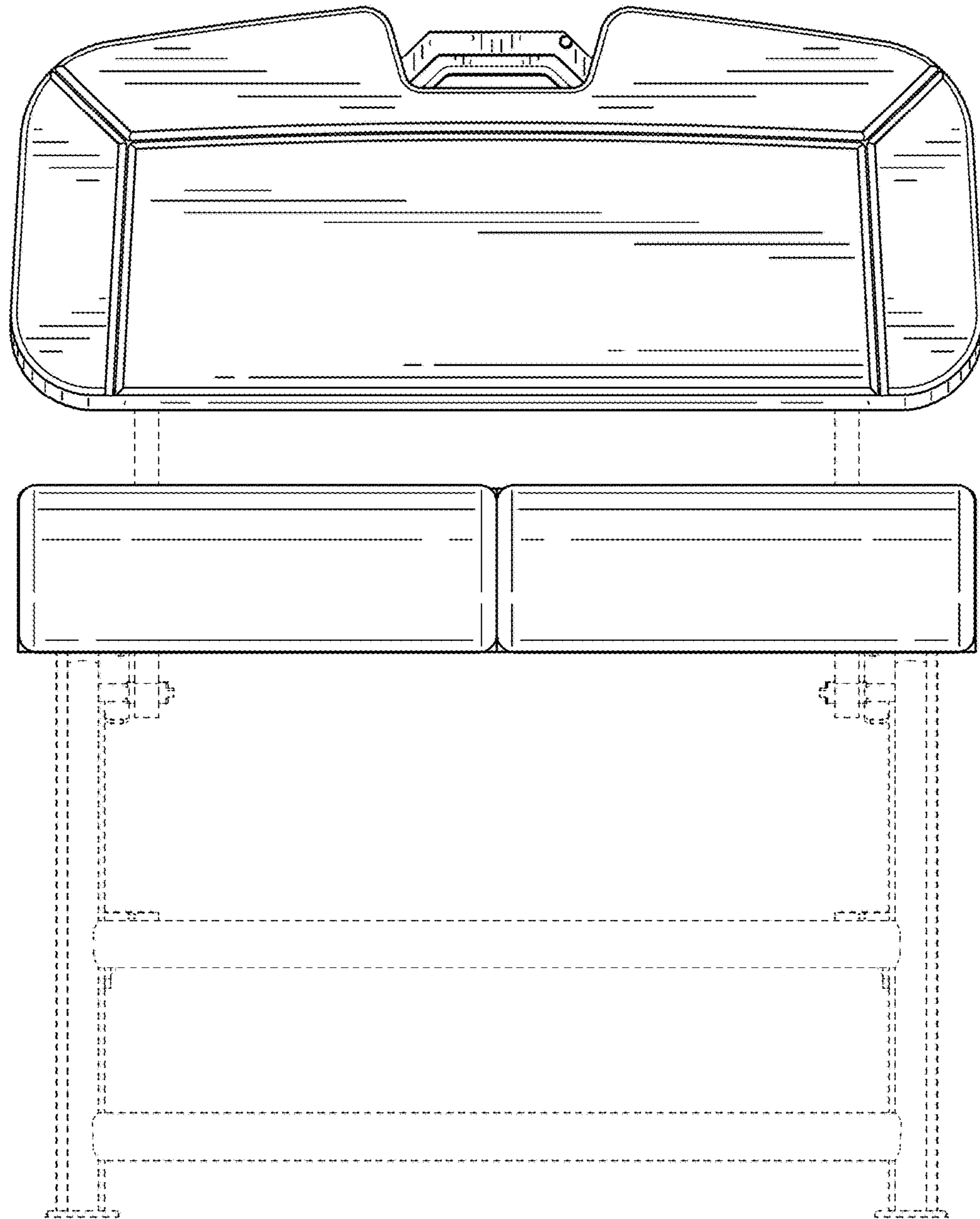


FIG. 4

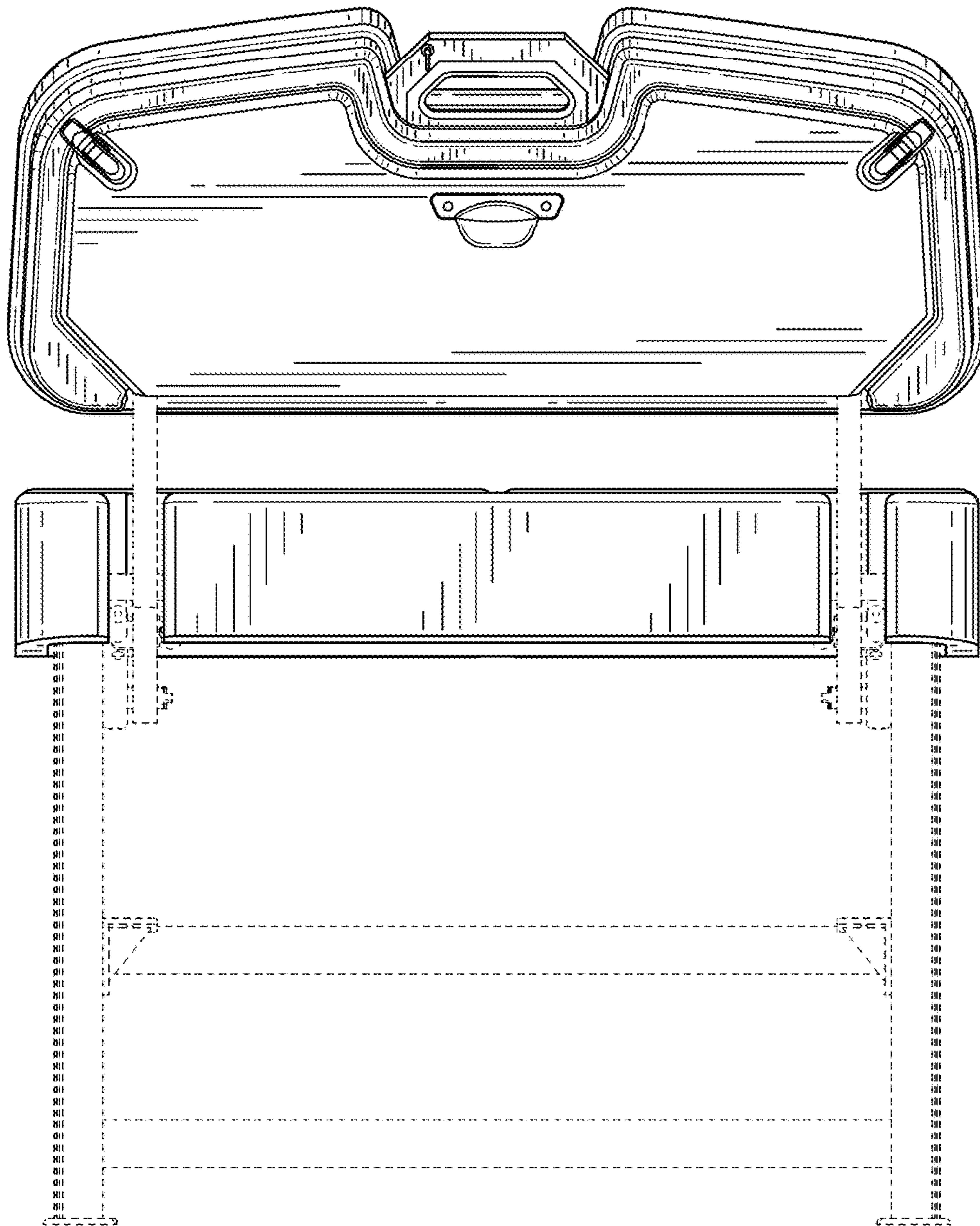


FIG. 5

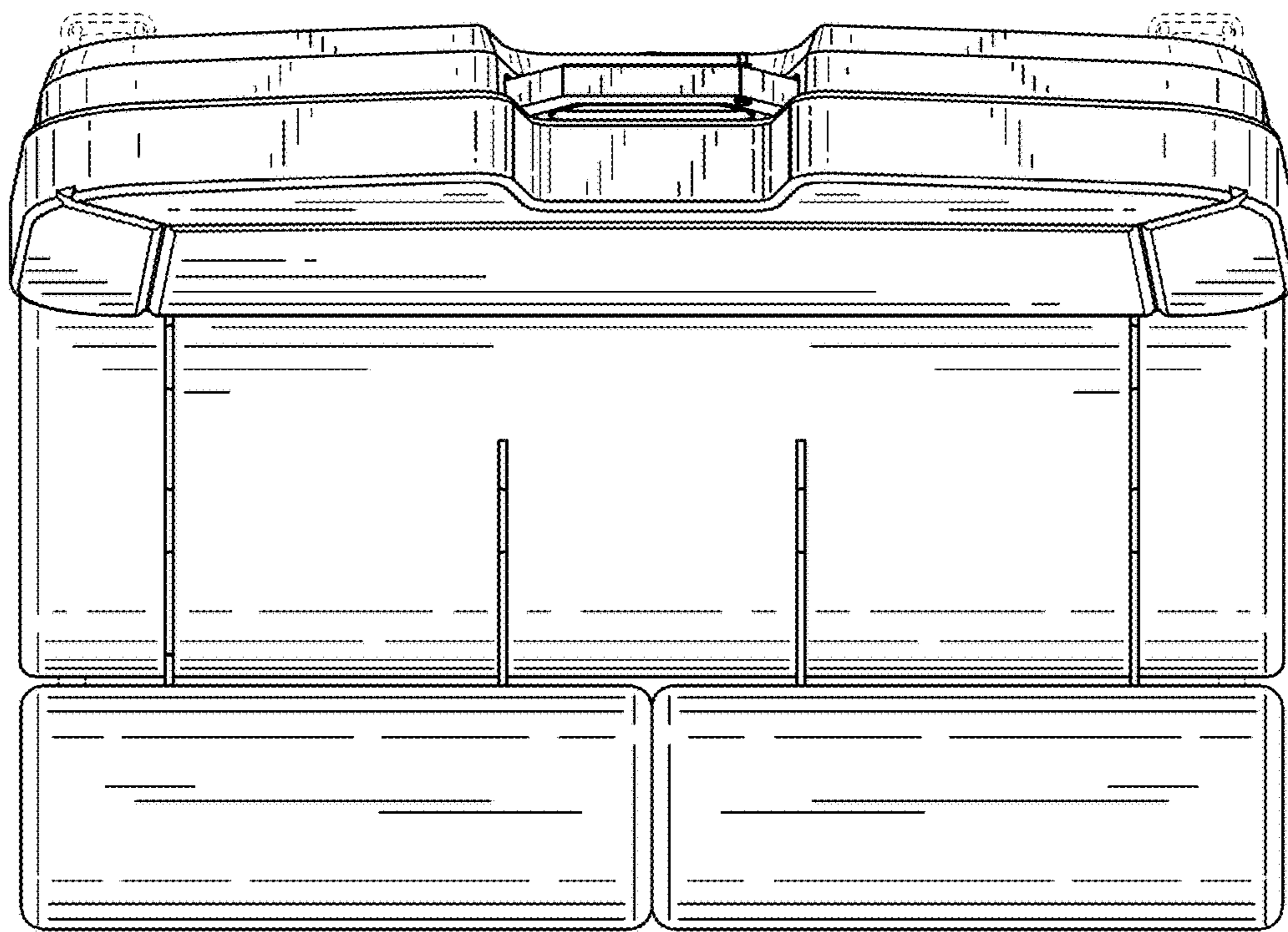


FIG. 6

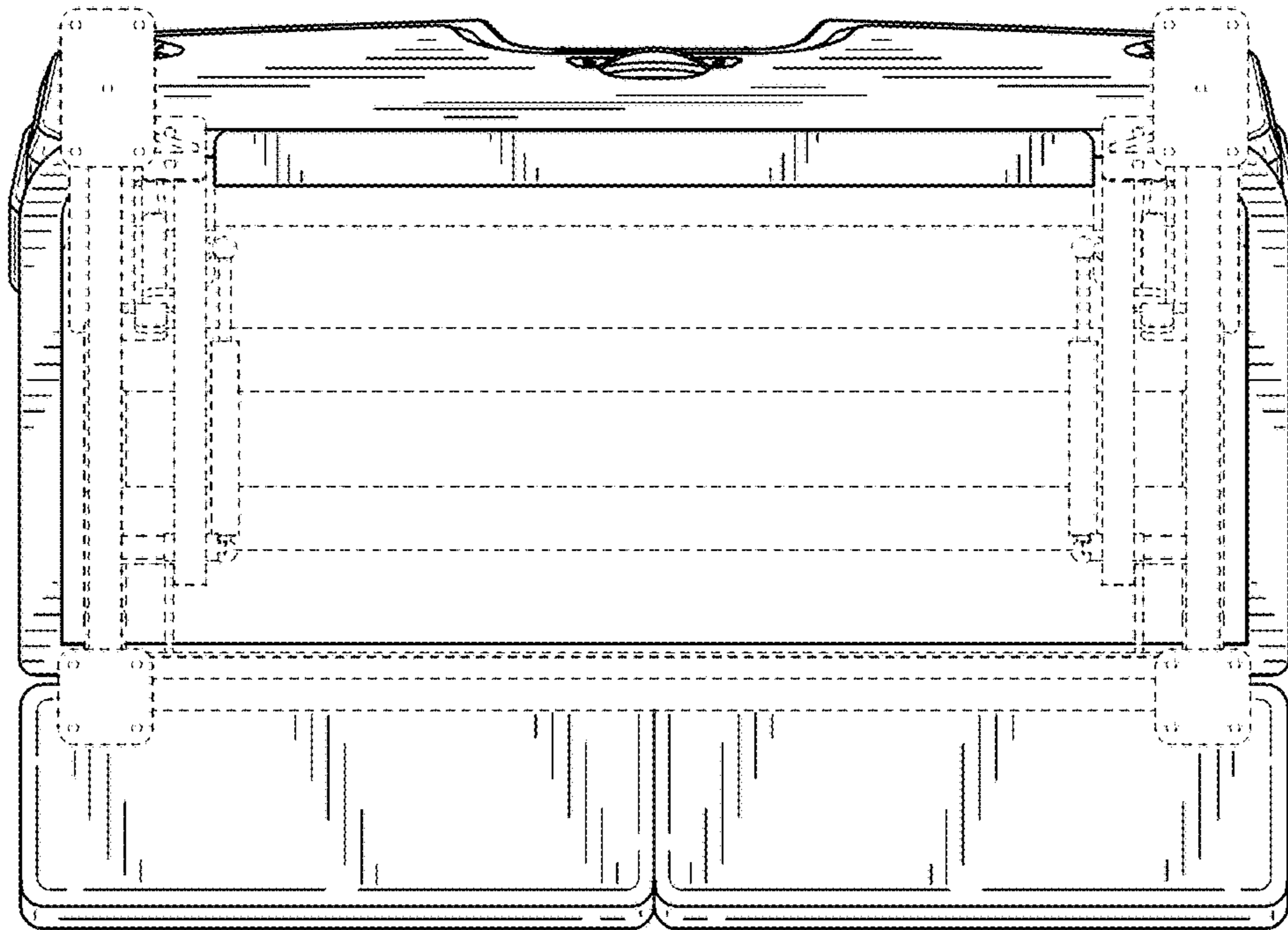


FIG. 7