



US00D819539S

(12) **United States Design Patent**
Badstuebner et al.

(10) **Patent No.:** **US D819,539 S**
(45) **Date of Patent:** **** Jun. 5, 2018**

(54) **WHEEL OR WHEEL COVER**
(71) Applicant: **Daimler AG**, Stuttgart (DE)
(72) Inventors: **Achim-Dietrich Badstuebner**, Munich (DE); **Robert Lesnik**, Leonberg (DE); **Peter Riedel**, Holzgerlingen (DE); **Slavche Tanevski**, Munich (DE)
(73) Assignee: **Daimler AG**, Stuttgart (DE)

(**) Term: **15 Years**

(21) Appl. No.: **29/605,674**

(22) Filed: **May 30, 2017**

(51) **LOC (11) Cl.** **12-16**

(52) **U.S. Cl.**
USPC **D12/211**

(58) **Field of Classification Search**
USPC D12/204, 205, 206, 207, 208, 209, 210, D12/211, 212, 213
CPC B60B 7/00; B60B 7/01; B60B 7/02; B60B 7/04; B60B 7/06; B60B 3/02; B60B 3/04; B60B 3/06; B60B 3/10; B60B 1/00; B60B 1/08; B60B 1/10; B60B 1/12
See application file for complete search history.

(56) **References Cited**

U.S. PATENT DOCUMENTS

D428,379 S * 7/2000 Donikoglu D12/211
D562,208 S * 2/2008 Pfeiffer D12/213
D635,906 S * 4/2011 Futschik D12/211

D649,923 S * 12/2011 Hans D12/211
D656,078 S * 3/2012 Hans D12/211
D676,795 S * 2/2013 Wachter D12/211
D684,519 S * 6/2013 Garbas D12/211
D735,108 S * 7/2015 Chou D12/213
D746,755 S * 1/2016 Mielke D12/211
D748,033 S * 1/2016 Carter D12/211
D757,628 S * 5/2016 Rolfs D12/211
D778,801 S * 2/2017 Bucher D12/211
D788,680 S * 6/2017 Mielke D12/211
D791,673 S * 7/2017 Alfonso D12/211
D794,529 S * 8/2017 Valencia Pollex D12/211
D808,326 S * 1/2018 Chung D12/211

OTHER PUBLICATIONS

http://www.mandruswheels.com/mercedes_benz_wheels.php—Retrieved on Mar. 7, 2018.*

* cited by examiner

Primary Examiner — Manpreet S Matharu
Assistant Examiner — Mojtaba Tehrani
(74) *Attorney, Agent, or Firm* — Crowell & Moring LLP

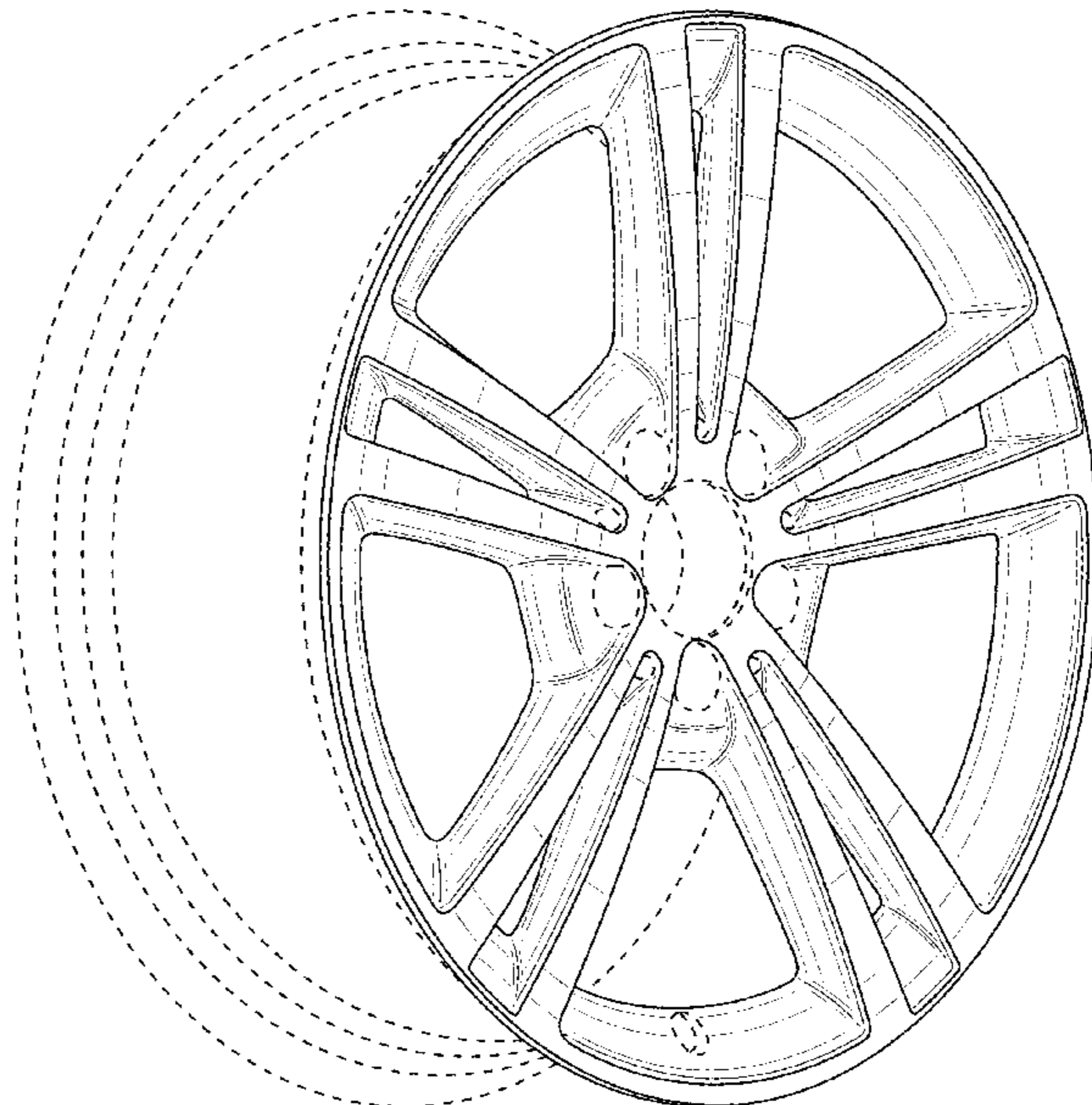
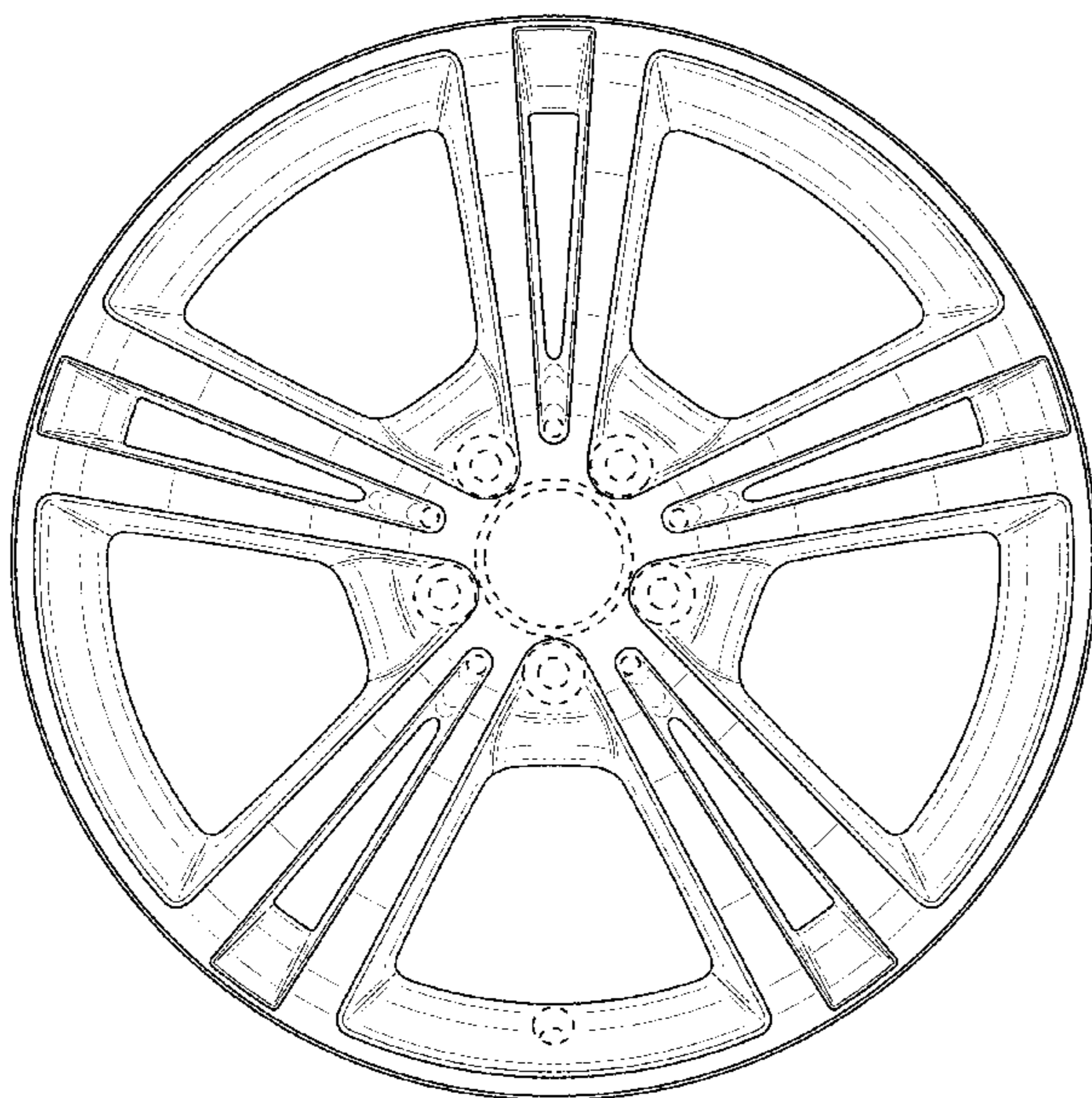
(57) **CLAIM**

The ornamental design for a wheel or wheel cover, as shown and described.

DESCRIPTION

FIG. 1 is a front view of a wheel or wheel cover according to the design; and,
FIG. 2 is a perspective view thereof.
The broken lines in the drawings illustrate environmental subject matter only and form no part of the claimed design.

1 Claim, 2 Drawing Sheets



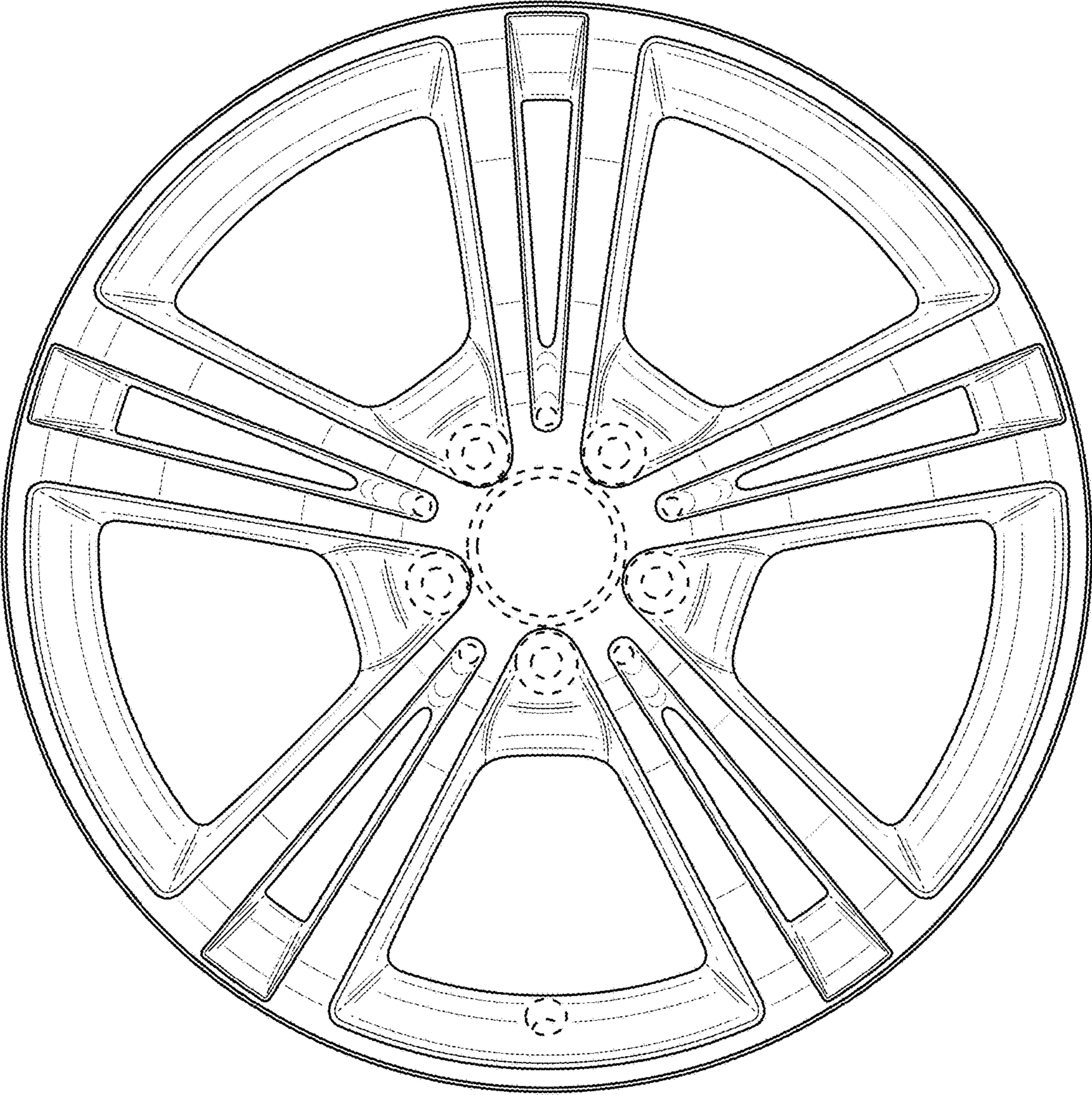


FIG. 1

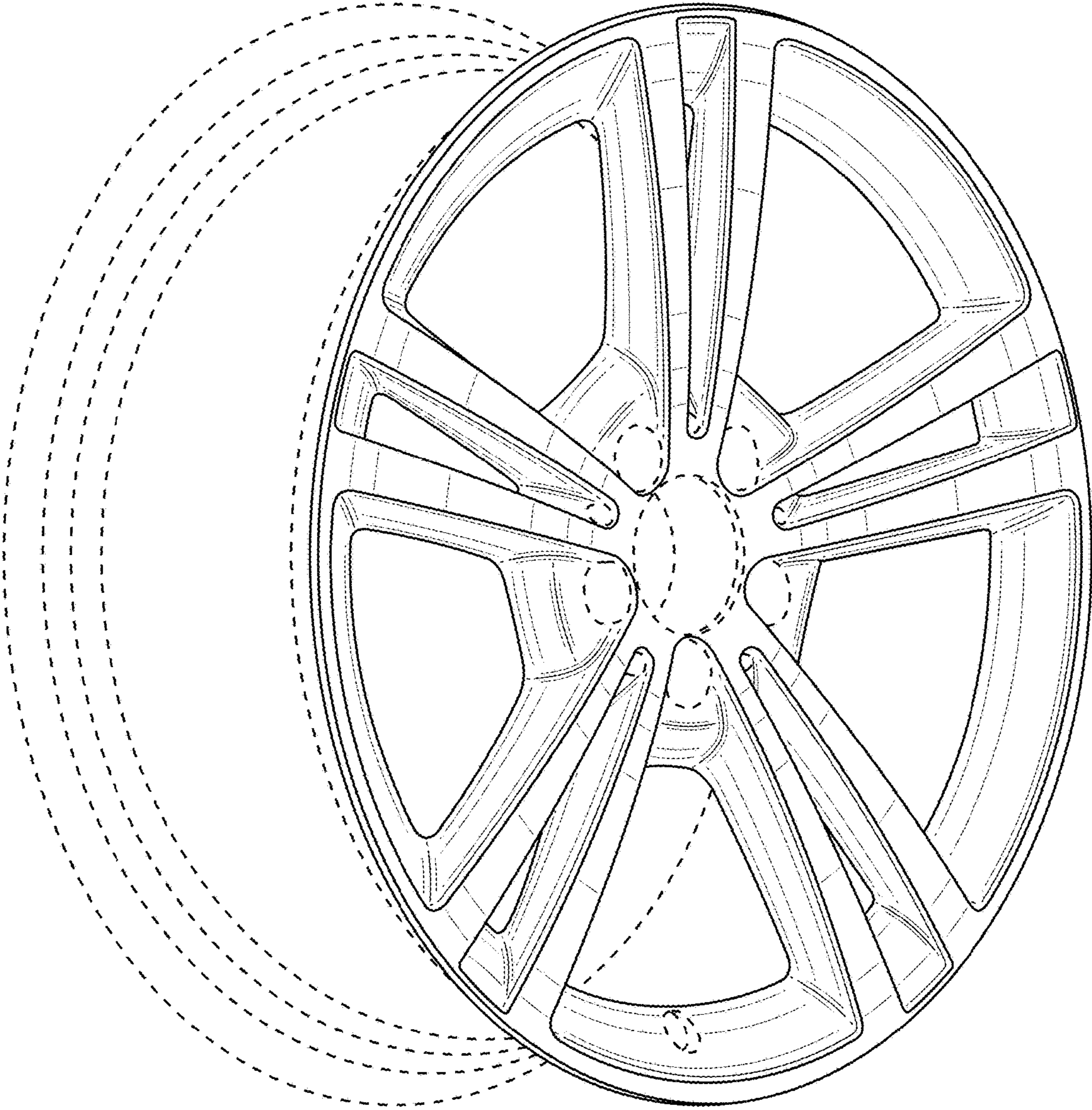


FIG. 2