



US00D819538S

(12) **United States Design Patent**
Badstuebner et al.

(10) **Patent No.:** **US D819,538 S**
(45) **Date of Patent:** **** Jun. 5, 2018**

(54) **WHEEL OR WHEEL COVER**
(71) Applicant: **Daimler AG**, Stuttgart (DE)
(72) Inventors: **Achim-Dietrich Badstuebner**, Munich (DE); **Robert Lesnik**, Leonberg (DE); **Peter Riedel**, Holzgerlingen (DE); **Volker Leutz**, Neckartailfingen (DE)
(73) Assignee: **Daimler AG**, Stuttgart (DE)

D636,320 S *	4/2011	Lamm	D12/211
D660,769 S *	5/2012	Pollmann	D12/211
D661,239 S *	6/2012	Pollmann	D12/209
D671,481 S *	11/2012	Amezketta	D12/211
D681,540 S *	5/2013	Zhao	D12/211
D713,773 S *	9/2014	Scheinutte	D12/209
D718,696 S *	12/2014	Gotschke	D12/209
D774,436 S *	12/2016	Valencia Pollex	D12/209
D786,766 S *	5/2017	Rueckheim	D12/209
D789,268 S *	6/2017	Gallert	D12/209
D801,906 S *	11/2017	Burki	D12/211

(**) Term: **15 Years**

(21) Appl. No.: **29/605,672**

(22) Filed: **May 30, 2017**

(51) **LOC (11) Cl.** **12-16**

(52) **U.S. Cl.**
USPC **D12/211**

(58) **Field of Classification Search**
USPC D12/204, 205, 206, 207, 208, 209, 210, D12/211, 212, 213
CPC B60B 7/00; B60B 7/01; B60B 7/02; B60B 7/04; B60B 7/06; B60B 3/02; B60B 3/04; B60B 3/06; B60B 3/10; B60B 1/00; B60B 1/08; B60B 1/10; B60B 1/12
See application file for complete search history.

(56) **References Cited**

U.S. PATENT DOCUMENTS

D472,865 S *	4/2003	Wechner	D12/211
D597,015 S *	7/2009	Juergens	D12/211

OTHER PUBLICATIONS

http://www.mandruswheels.com/mercedes_benz_wheels.php—Retrieved on Mar. 7, 2018.*

* cited by examiner

Primary Examiner — Manpreet S Matharu

Assistant Examiner — Mojtaba Tehrani

(74) *Attorney, Agent, or Firm* — Crowell & Moring LLP

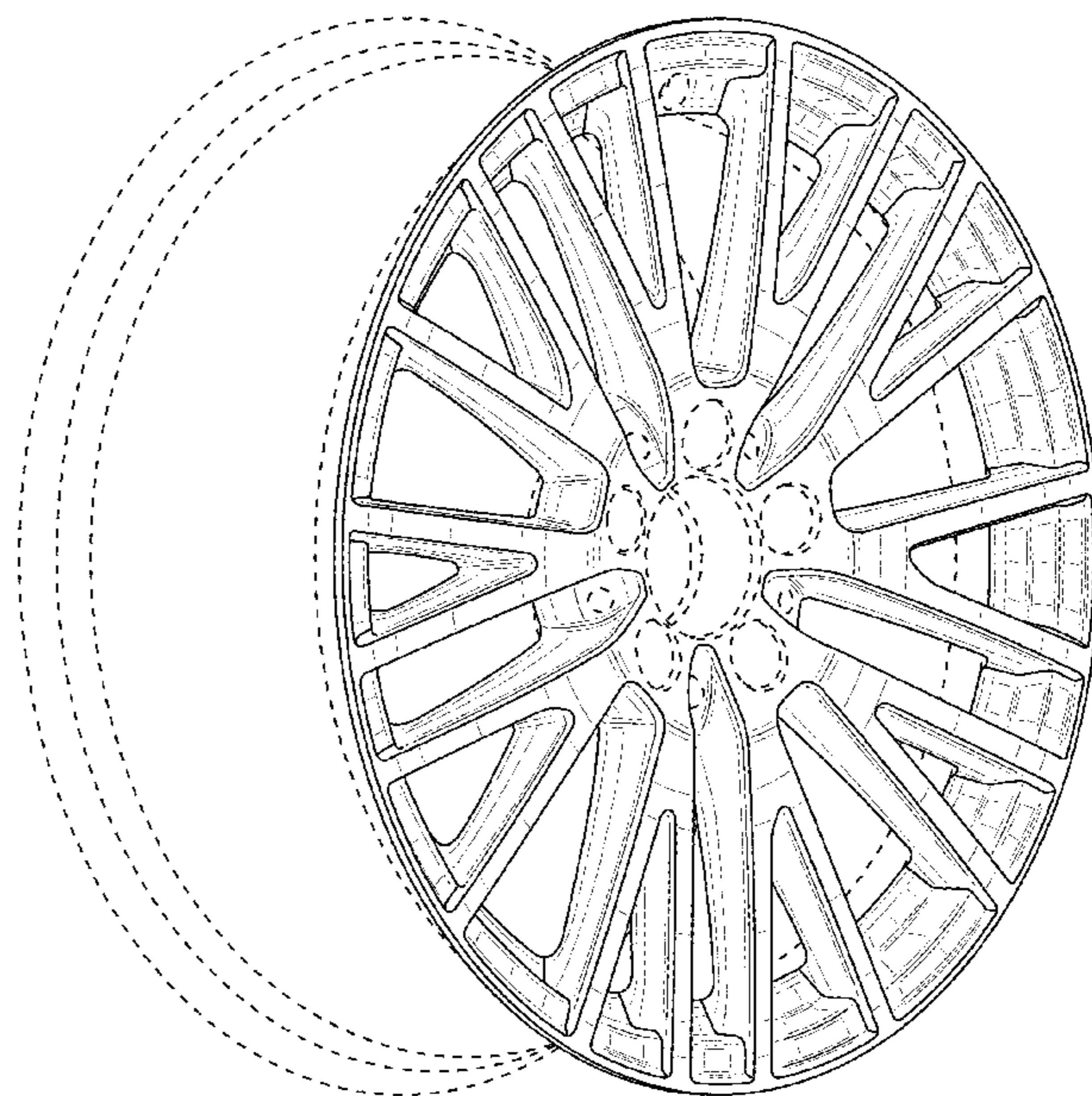
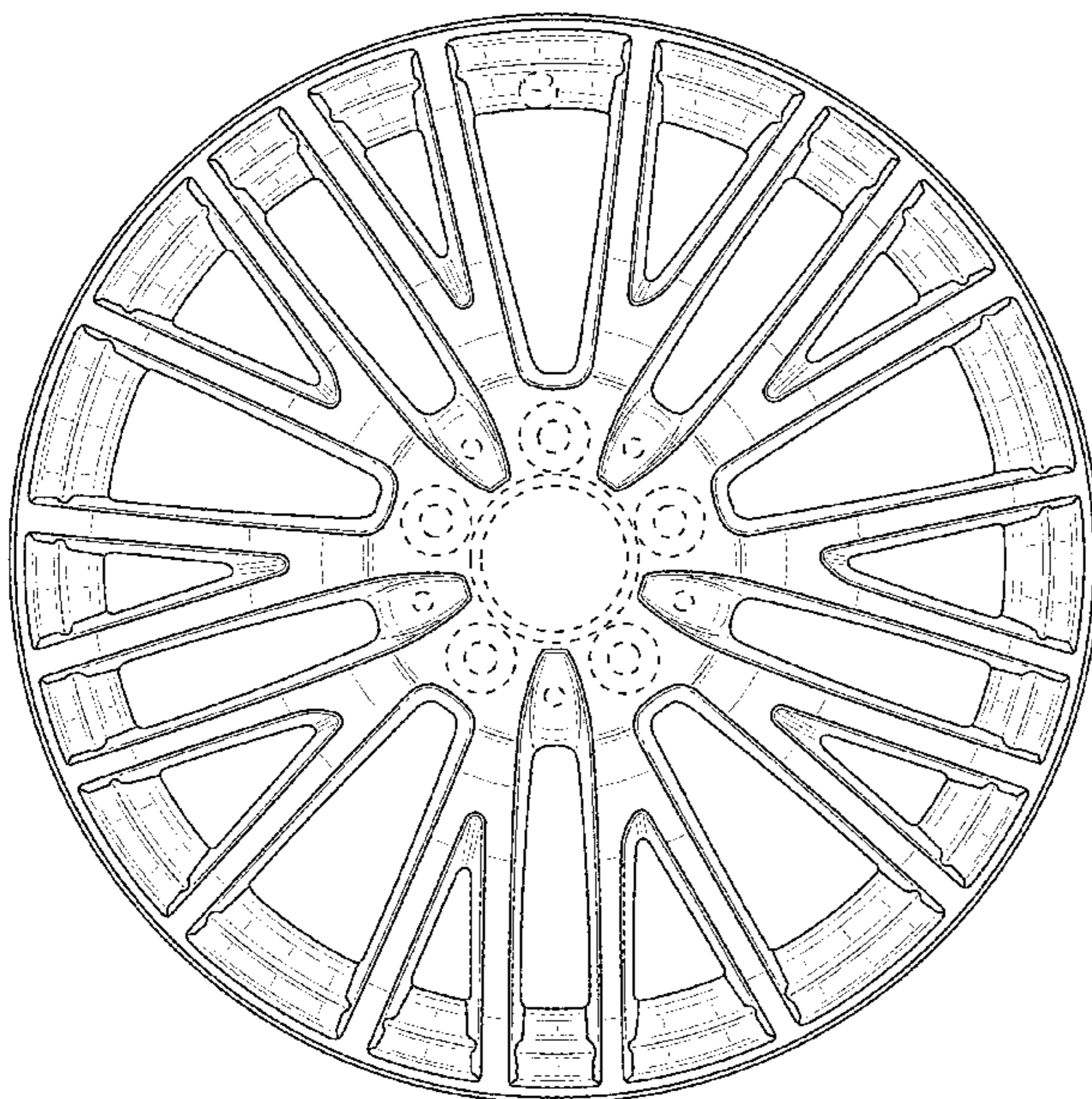
(57) **CLAIM**

The ornamental design for a wheel or wheel cover, as shown and described.

DESCRIPTION

FIG. 1 is a front view of a wheel or wheel cover according to the design; and, FIG. 2 is a perspective view thereof. The broken lines in the drawings illustrate environmental subject matter only and form no part of the claimed design.

1 Claim, 2 Drawing Sheets



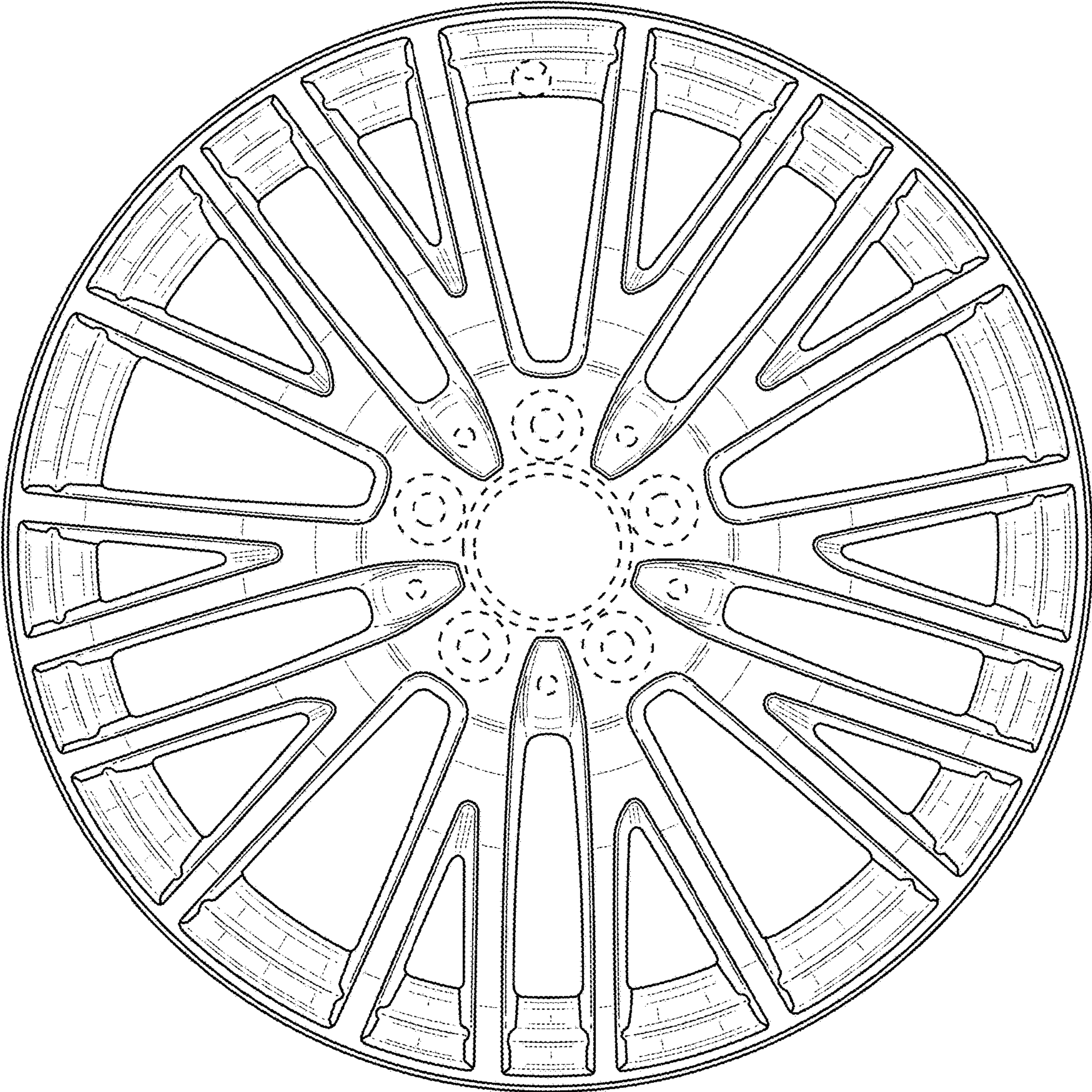


FIG. 1

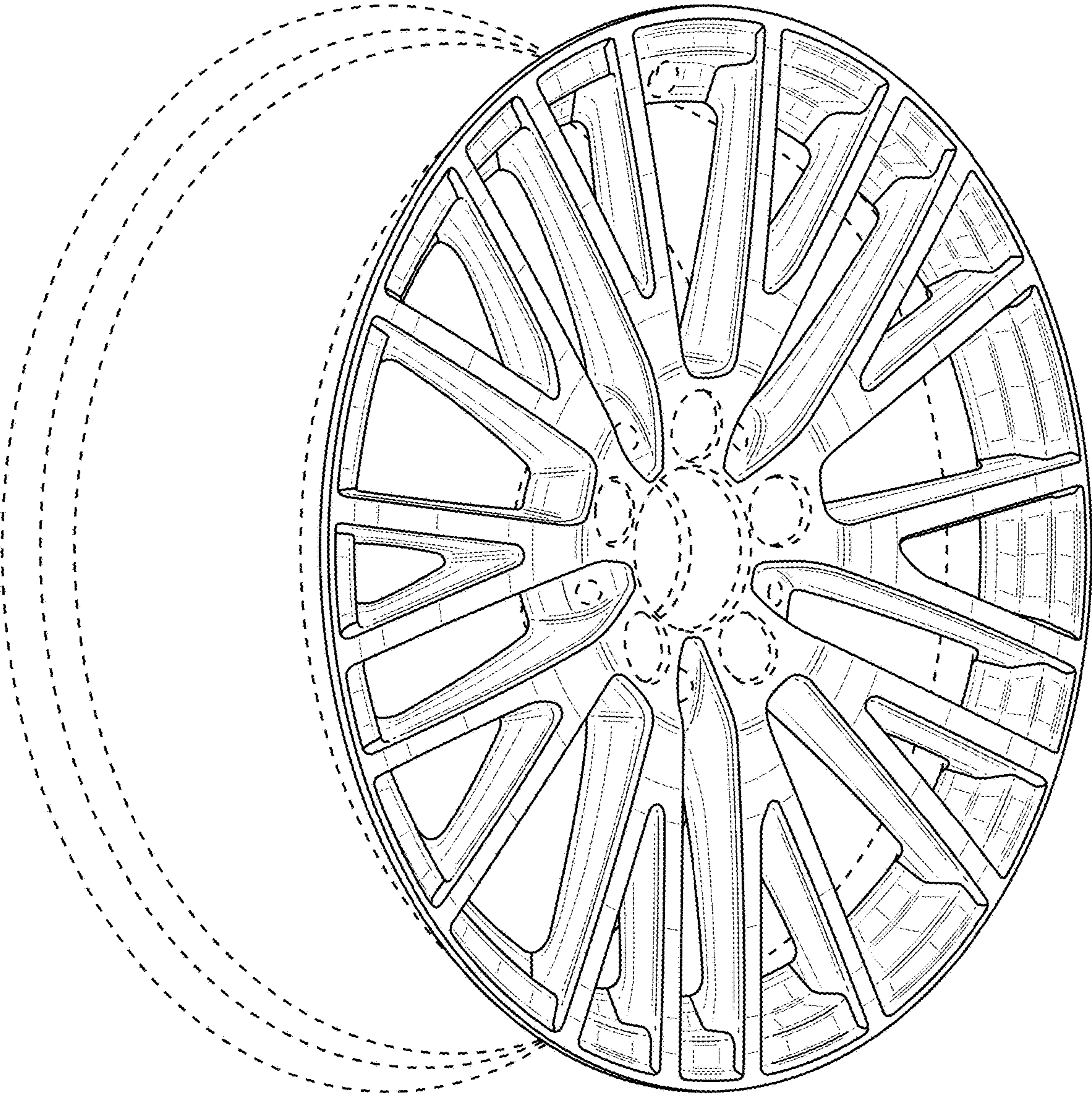


FIG. 2